

ILLUSTRATED PARTS BREAKDOWN

PARTNER

11.5 HP 36" LAWN RIDER

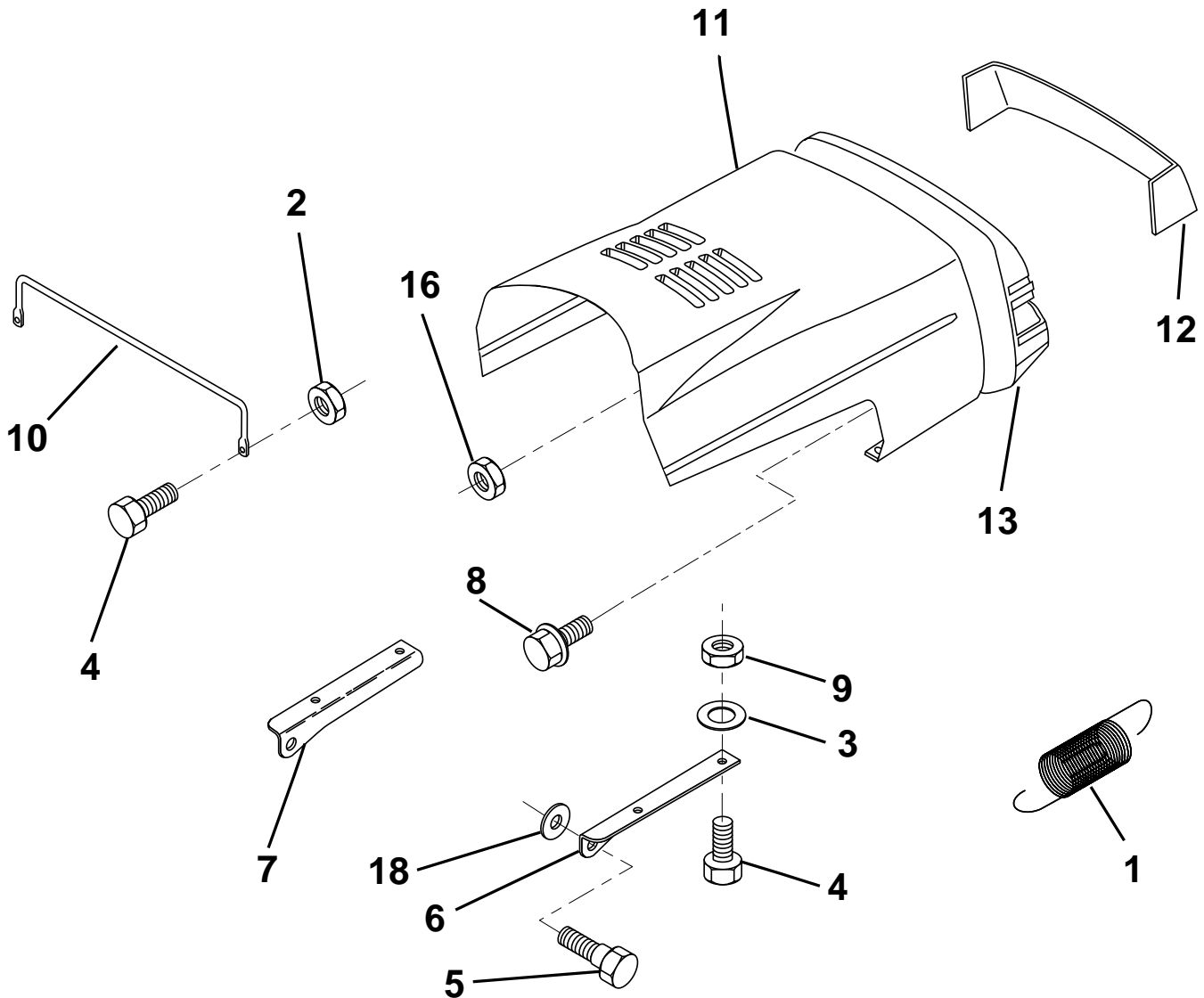
MODEL NO. P115B (P115TC90D)

954 12 00-22

REPAIR PARTS

TRACTOR - - MODEL NUMBER P115B (P115TC90D)

HOOD



KEY NO.	PART NO.	DESCRIPTION
1	532124657	Extension, Spring
2	873510400	Nut, Hex, Keps 1/4-20
3	819091416	Washer, 9/32 x 7/8 x 16 Ga.
4	874780412	Bolt, Hex Fin. 1/4-20 x 3/4 Gr. 5
5	532139888	Bolt, Shoulder
6	532122549	Bracket, Hood R. H.
7	532122548	Bracket, Hood L.H.
8	817521312	Screw Slt'd. Hex Hd. w/PL Washer

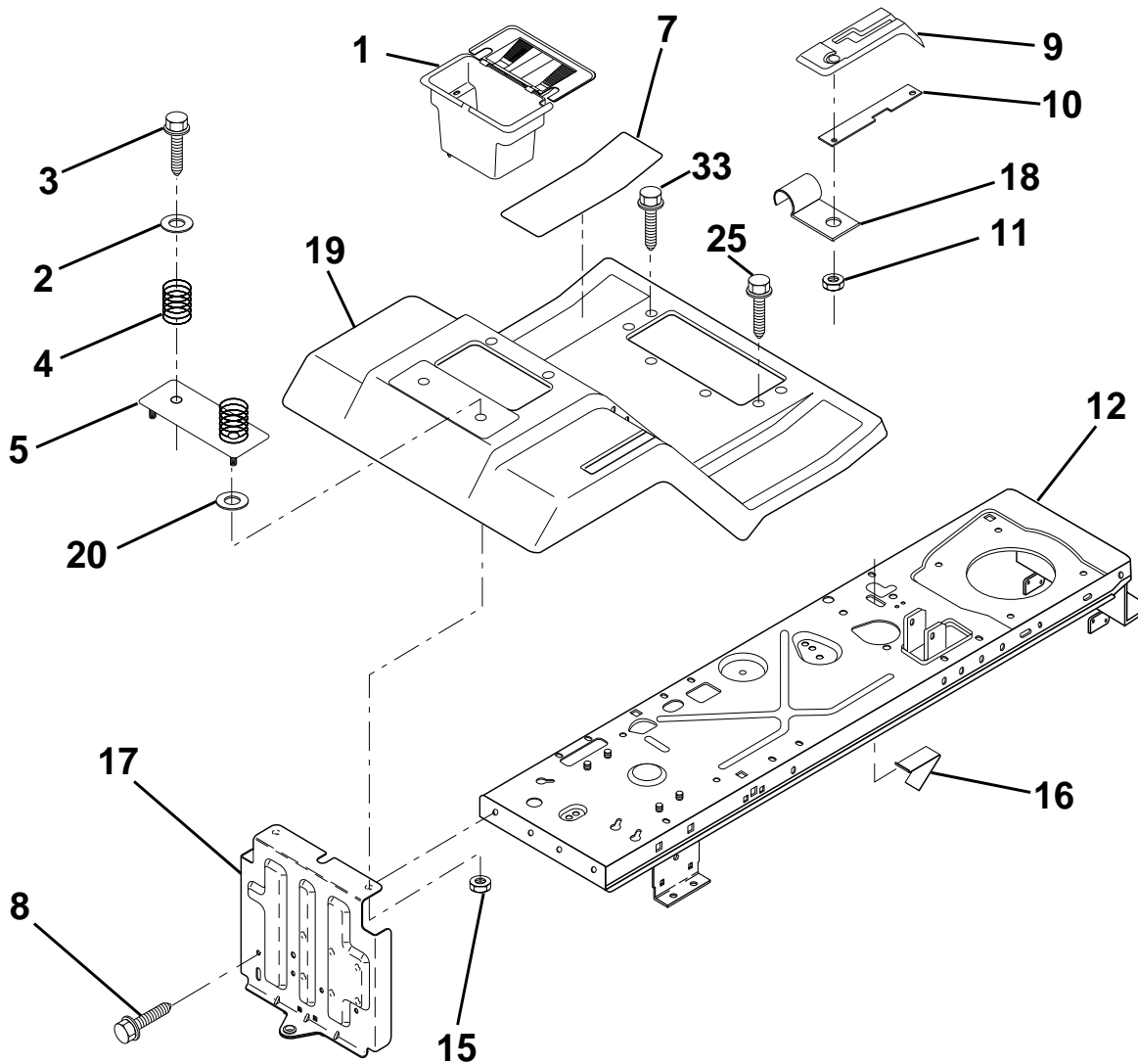
KEY NO.	PART NO.	DESCRIPTION
9	873800400	Nut Lock w/Insert 1/4-20 UNC
10	532123693	Brace, Hood
11	532144343	Hood
12	532172006	Lens
13	532172005	Grille
16	532124346	Nut, Self Thread, Washer Head 1/4
18	819111116	Washer 11/32 x 11/16 x 16 Ga.

HARDWARE SHOWN LARGER FOR EASIER IDENTIFICATION

REPAIR PARTS

TRACTOR - - MODEL NUMBER P115B (P115TC90D)

FENDER/CHASSIS



KEY NO.	PART NO.	DESCRIPTION
1	532156417	Case, Battery
2	819132012	Washer 13/32 x 1-1/4 x 12 Ga.
3	817490612	Screw, Hex Wsh. Thrdrol. 3/8-16 x 3/4
4	532124181	Spring, Compression, Seat
5	532125139	Plate, Asm. Battery
7	532124144	Pad, Footrest
8	817060512	Screw 5/16-18 x 3/4
9	532166313	Console, Shift Control
10	532139783	Bar, Shift Lock
11	532124346	Nut, Self-Threading, Washer Head 3/16

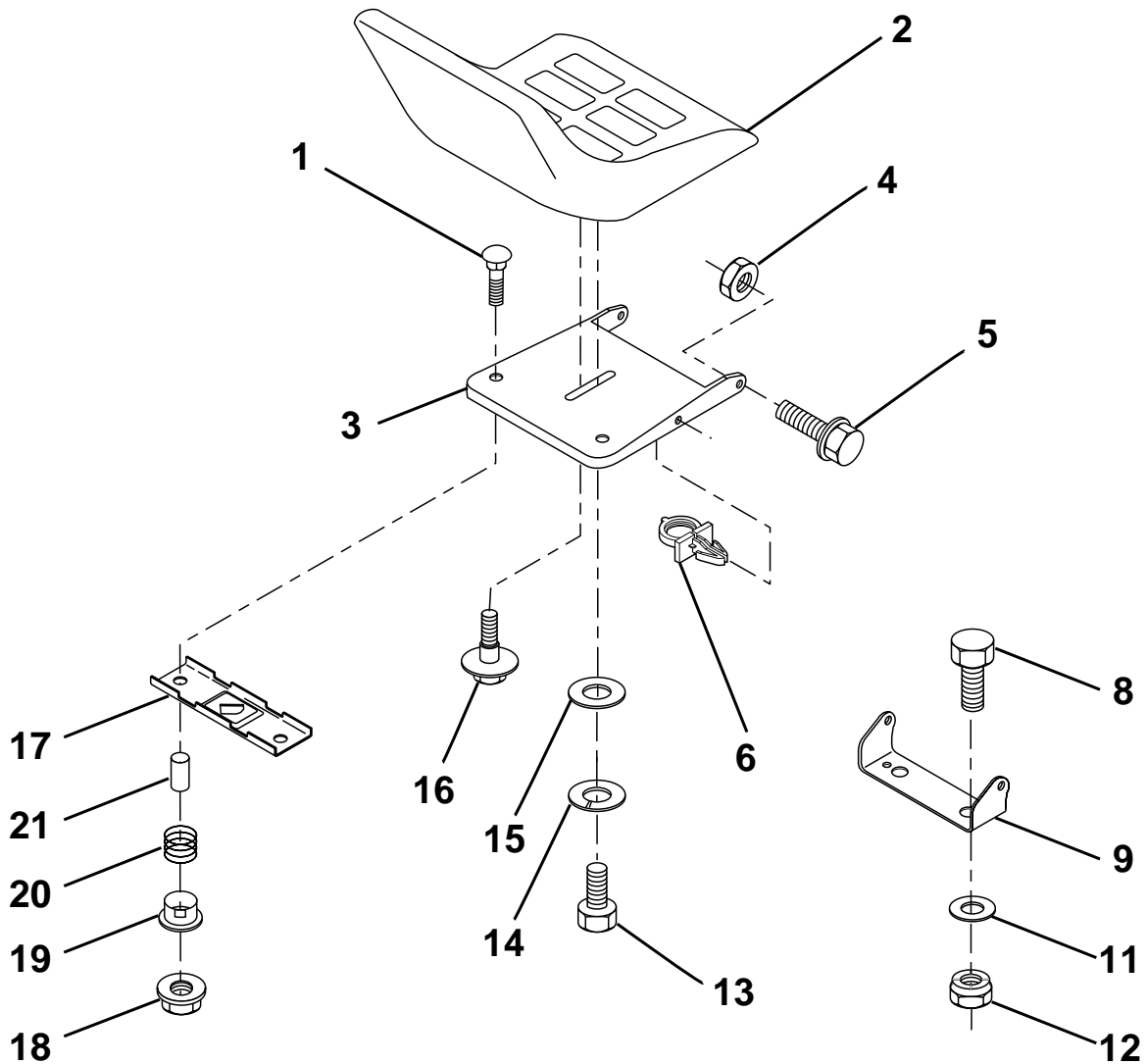
KEY NO.	PART NO.	DESCRIPTION
12	532145190	Assembly, Frame
15	873640400	Nut Keps Blk Hex 1/4-20 Unc
16	532141736	Switch Actuator
17	532140782	Drawbar
18	532126470	Clip, Insulated
19	532141266	Fender/Footrest
20	819091413	Washer 9/32 x 7/8 x 13 Ga.
25	817060514	Screw Tap 5/16-18 x 1
33	817190516	Screw, Hex S.T. Thdrl. 5/16-18 x 1
34	532170165	Bolt Shoulder 5/16-18 TT

HARDWARE SHOWN LARGER FOR EASIER IDENTIFICATION

REPAIR PARTS

TRACTOR - - MODEL NUMBER P115B (P115TC90D)

SEAT



KEY NO.	PART NO.	DESCRIPTION
1	872050412	Bolt, Carriage 1/4-20 x 1-1/2
2	532140116	Seat
3	532155925	Pan, Seat
4	873800500	Nut, Crownlock 5/16-18
5	532153236	Bolt, Shoulder 5/16-18 UNC
6	532145006	Clip, Push-In
8	874760616	Bolt, Fin Hex 3/8-16 UNC x 1
9	532140551	Bracket, Pivot Seat
11	819133210	Washer 12/32 x 2 x 10 Ga.
12	873800600	Nut, Crownlock 3/8-16 UNC

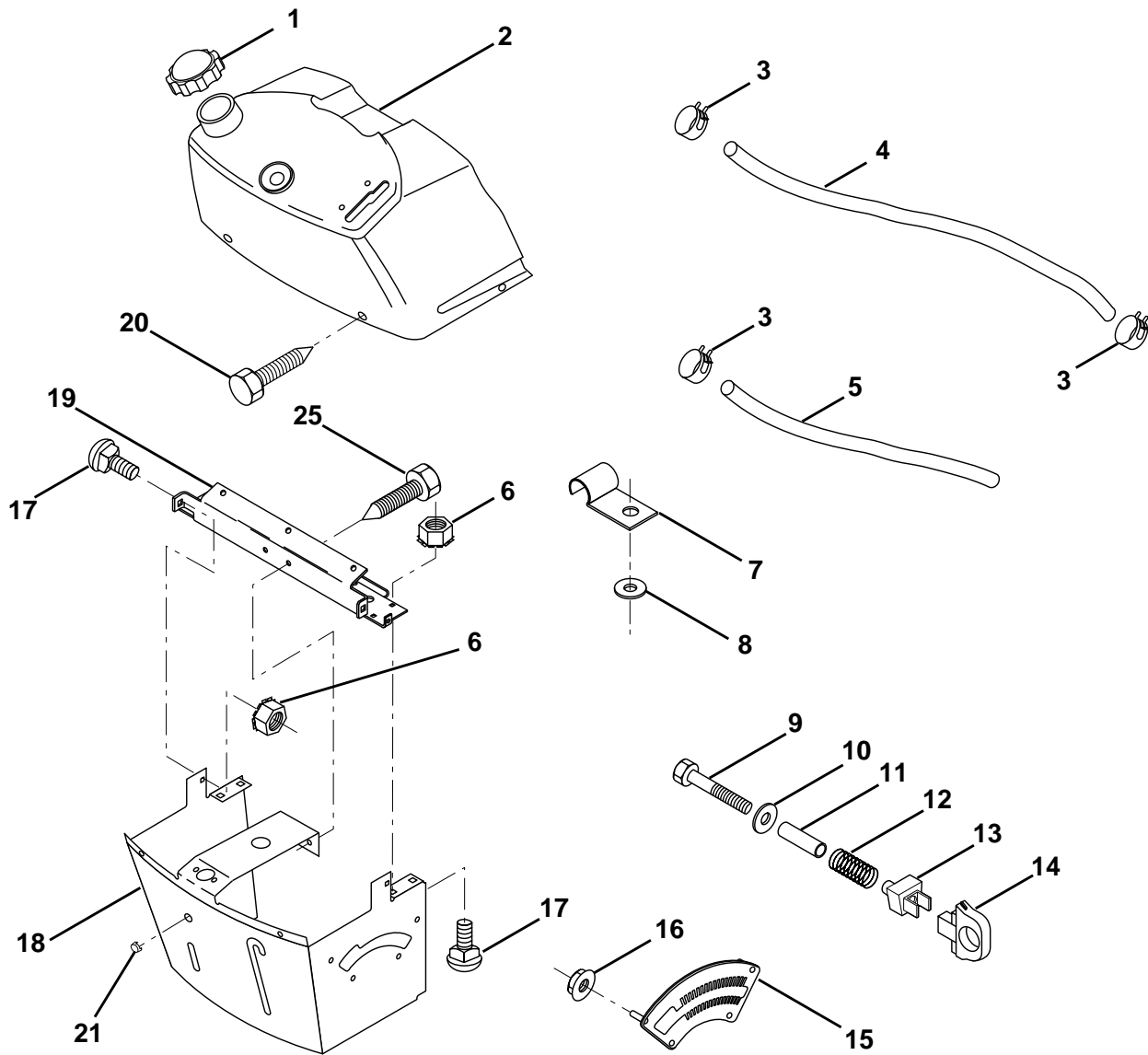
KEY NO.	PART NO.	DESCRIPTION
13	874780814	Bolt, Fin Hex 1/2-13 UNC x 7/8 Gr. 5
14	810040800	Washer, Lock Hvy Helical Spring
15	819171912	Washer, 17/32 x 1-3/16 x 12 Ga.
16	532127018	Bolt, Shoulder
17	532121246	Bracket, Switch, Mounting
18	532123976	Nut, Hex Large Flange Lock
19	532121248	Bushing, Snap
20	532121250	Spring, Compression
21	532134300	Spacer, Split 28 Id. x .88 Lg.

HARDWARE SHOWN LARGER FOR EASIER IDENTIFICATION

REPAIR PARTS

TRACTOR - - MODEL NUMBER P115B (P115TC90D)

DASH



KEY NO.	PART NO.	DESCRIPTION
1	532141523	Cap, Fuel
2	532138393	Assembly, Dash & Fuel Tank
3	532123487	Clamp, Hose
4	532008544	Line, Fuel
5	532008548	Line, Fuel
6	873640400	Nut, Hex, Keps 1/4-20
7	532124996	Clip, Fuel Line
8	819091216	Washer 9/32 x 3/4 x 16 Ga.
9	874760428	Bolt, Hex, Fin 1/4-20 x 1-3/4
10	819091413	Washer 11/32 x 11/16 x 16 Ga.
11	532121249	Spacer, Split

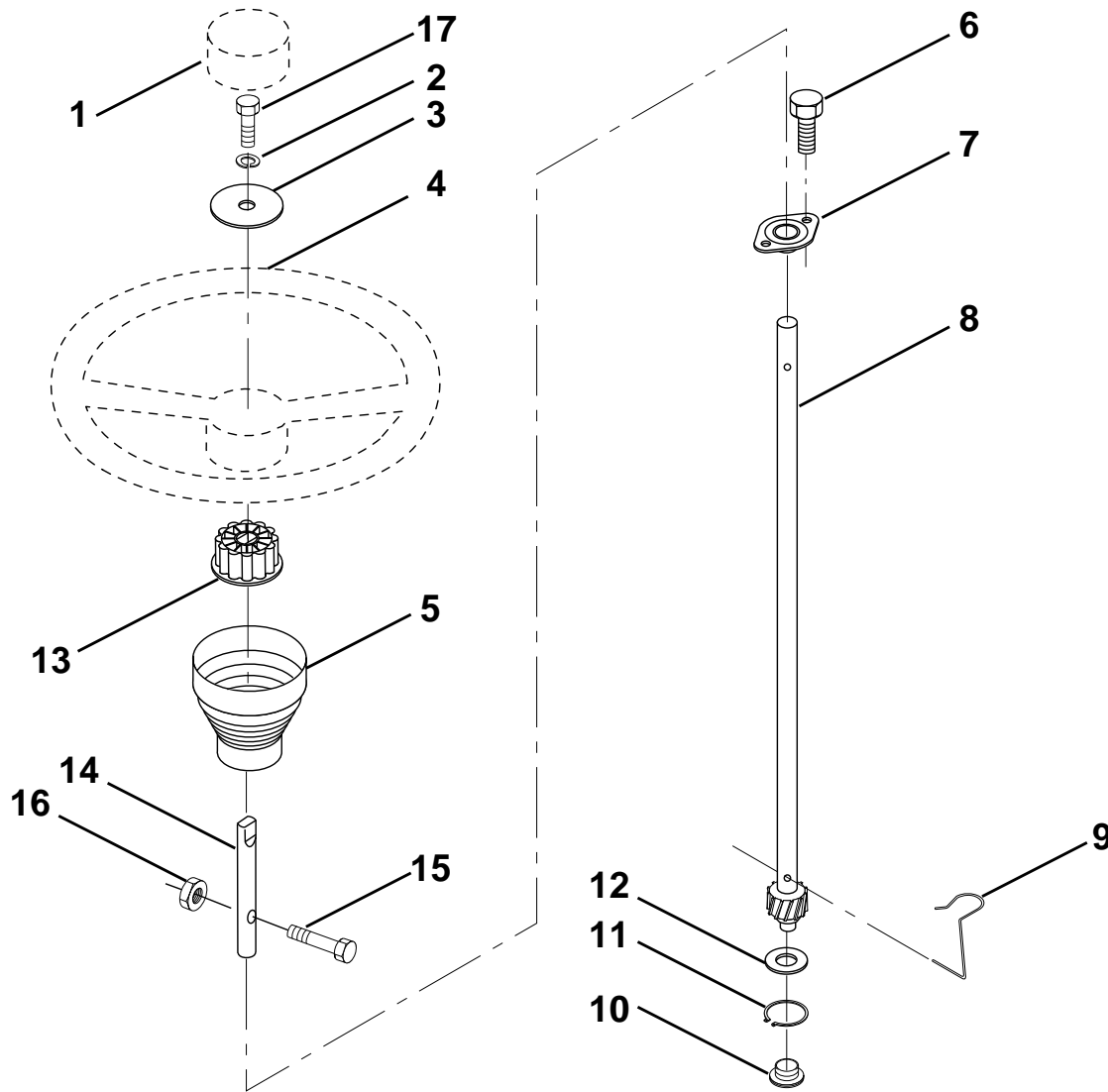
KEY NO.	PART NO.	DESCRIPTION
12	532003720	Spring
13	532126450	Clip, Height Adjustment
14	532126115	Knob, Height Stop
15	532122023	Adjustment, Quadrant Height
16	532124346	Nut, Self-Threading 3/16-18
17	872110404	Bolt, Carriage 1/4-20 x 1/2 Gr. 5
18	532130745	Support Assembly, Dash
19	532134744	Brace, Cross
20	817060408	Screw, Self-Tapping 1/4-20 x 1/2
21	532134014	Plug, Dome
25	817720410	Screw Hex Thd Cut 1/4-20 x 5/8

HARDWARE SHOWN LARGER FOR EASIER IDENTIFICATION

REPAIR PARTS

TRACTOR - - MODEL NUMBER P115B (P115TC90D)

STEERING WHEEL



KEY NO.	PART NO.	DESCRIPTION
1	532140175	Insert, Wheel, Steering
2	810040600	Washer, Lock Hvy Hcl
3	819133812	Washer 13/32 x 2-3/8 x 12 Ga.
4	532139768	Wheel, Steering
5	532121897	Sleeve, Steering

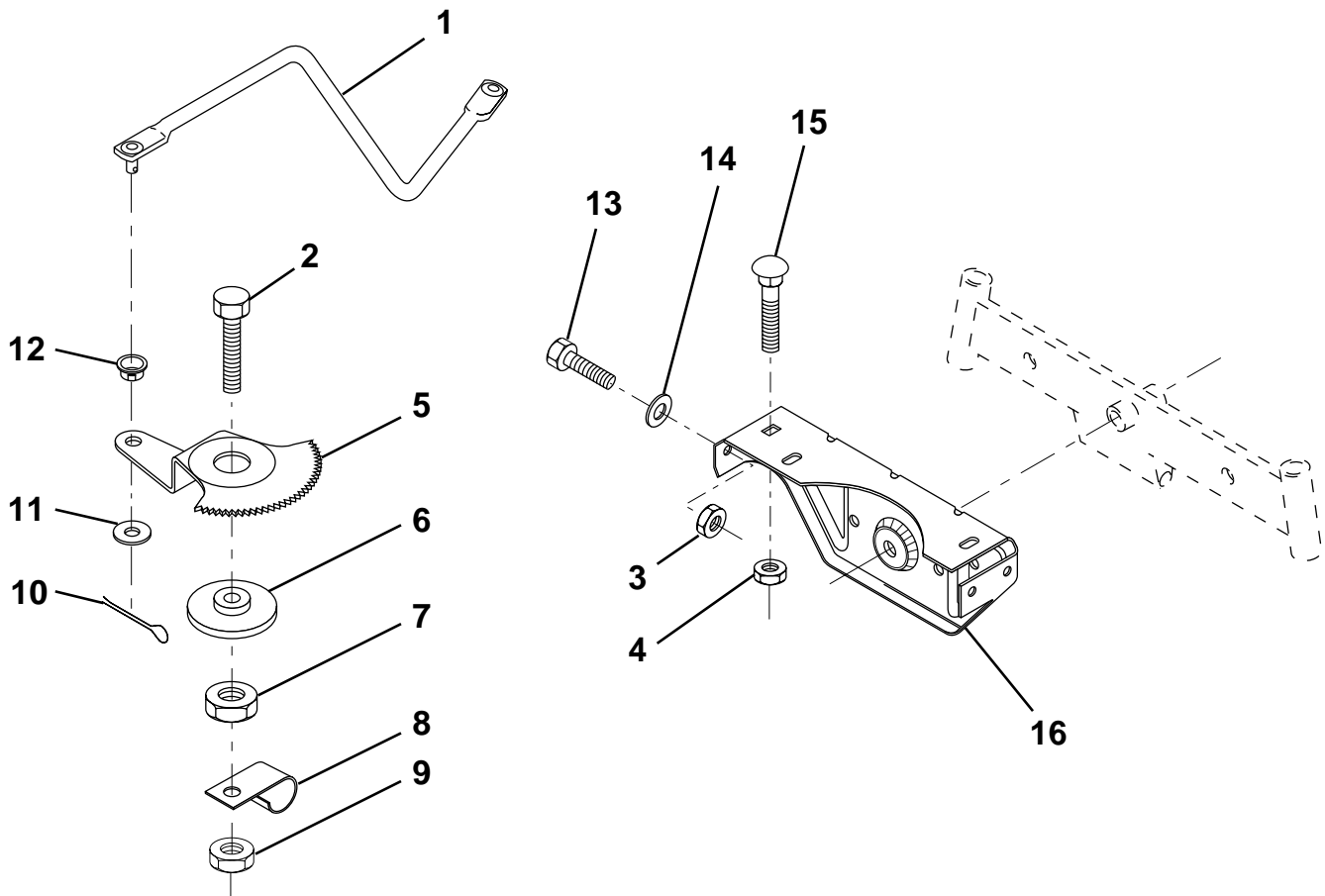
KEY NO.	PART NO.	DESCRIPTION
6	532152927	Screw
7	532155104	Bushing, Steering
8	532147391	Shaft, Steering
9	532124210	Clip, Steering
10	532123438	Bushing, Lower, Steering
11	812000045	Ring, Retaining
12	819211616	Washer 21/32 x 1 x 16 Ga.
13	532100711	Adaptor, Wheel, Steering
14	532153720	Extention, Shaft, Steering
15	874780520	Bolt, Fin., Hex 5/16-18 UNC x 1-1/4
16	873800500	Nut, Lock, Hex W/Ins. 5/16-18 UNC
17	874780616	Bolt, Fin Hex 3/8-16 UNC x 1

HARDWARE SHOWN LARGER FOR EASIER IDENTIFICATION

REPAIR PARTS

TRACTOR - - MODEL NUMBER P115B (P115TC90D)

SECTOR GEAR / AXLE SUPPORT



KEY NO.	PART NO.	DESCRIPTION
1	532132566	Link, Drag
2	874780828	Bolt, Fin Hex 1/2-13 x 1-3/4
3	873680500	Nut, Crownlock 5/16-18
4	873680600	Nut, Crownlock 3/8-16
5	532121926	Gear, Sector
6	532121927	Bushing
7	873030800	Nut, Heavy Hex Top Lock 1/2-13 UNC
8	532126472	Clip, Insulated

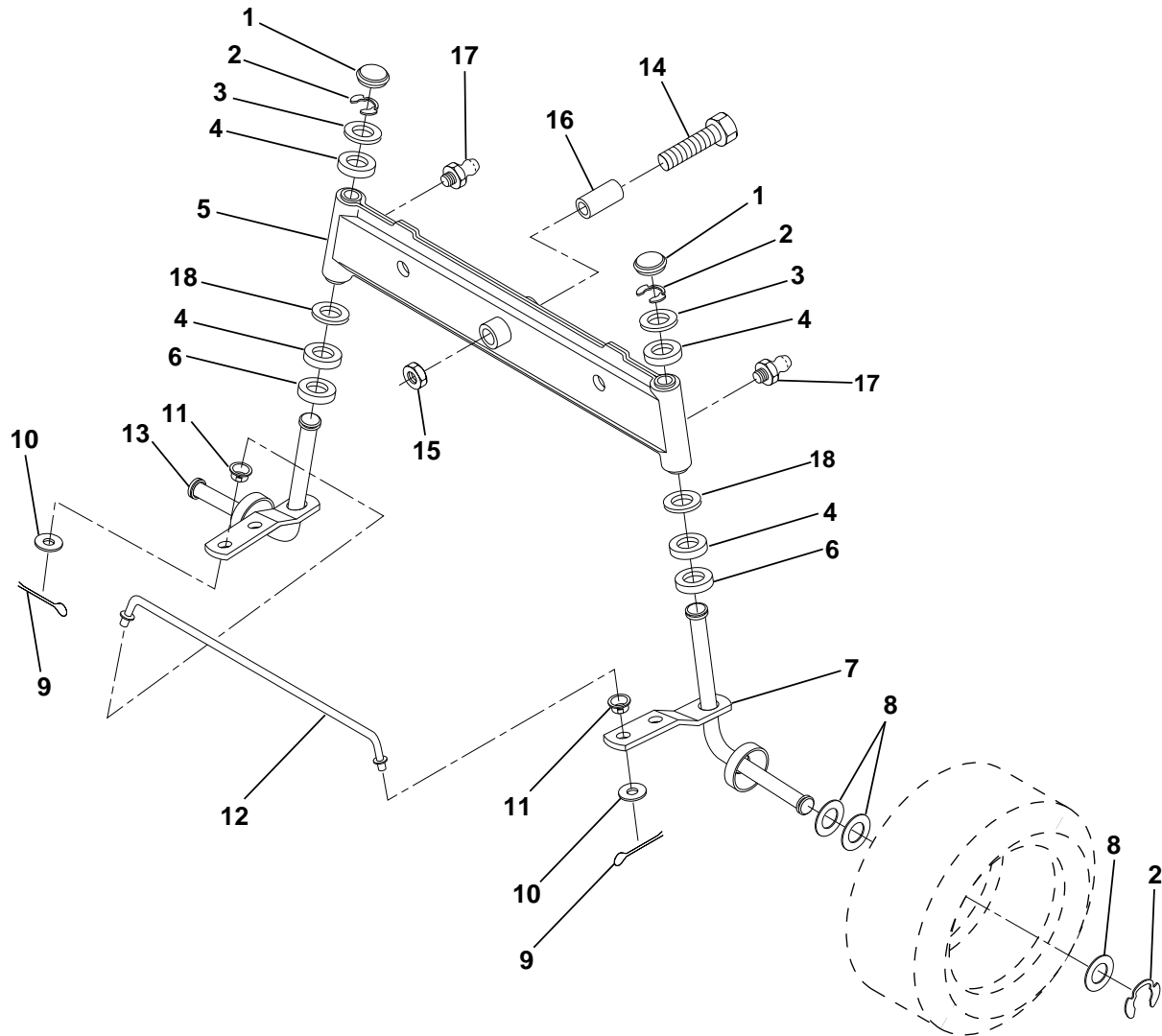
KEY NO.	PART NO.	DESCRIPTION
9	873680800	Nut, Crownlock 3/8-16
10	876020412	Pin, Cotter 1/8 x 3/4
11	819131316	Washer, 13/32 x 13/16 x 16 Ga.
12	532126847	Bushing
13	874760512	Bolt, Hex Hd. 5/16-18 UNC x 3/4
14	819111416	Washer 11/32 x 7/8 x 16 Ga.
15	872110606	Bolt, Carriage 3/8-16 UNC x 3/4
16	532137096	Support, Front Axle

HARDWARE SHOWN LARGER FOR EASIER IDENTIFICATION

REPAIR PARTS

TRACTOR - - MODEL NUMBER P115B (P115TC90D)

FRONT AXLE



KEY NO.	PART NO.	DESCRIPTION
1	532121232	Cap, Spindle
2	812000029	Ring, Clip
3	532121748	Washer 25/32 x 1-5/8 x 16 Ga.
4	532124937	Bearing Col. Strg.
5	532142033	Axle, Front
6	532124931	Bearing, Thrust
7	532161826	Spindle, R.H. Asm.
8	532121749	Washer 25/32 x 1-1/4 x 16 Ga.
9	876020412	Pin, Cotter 1/8 x 3/4

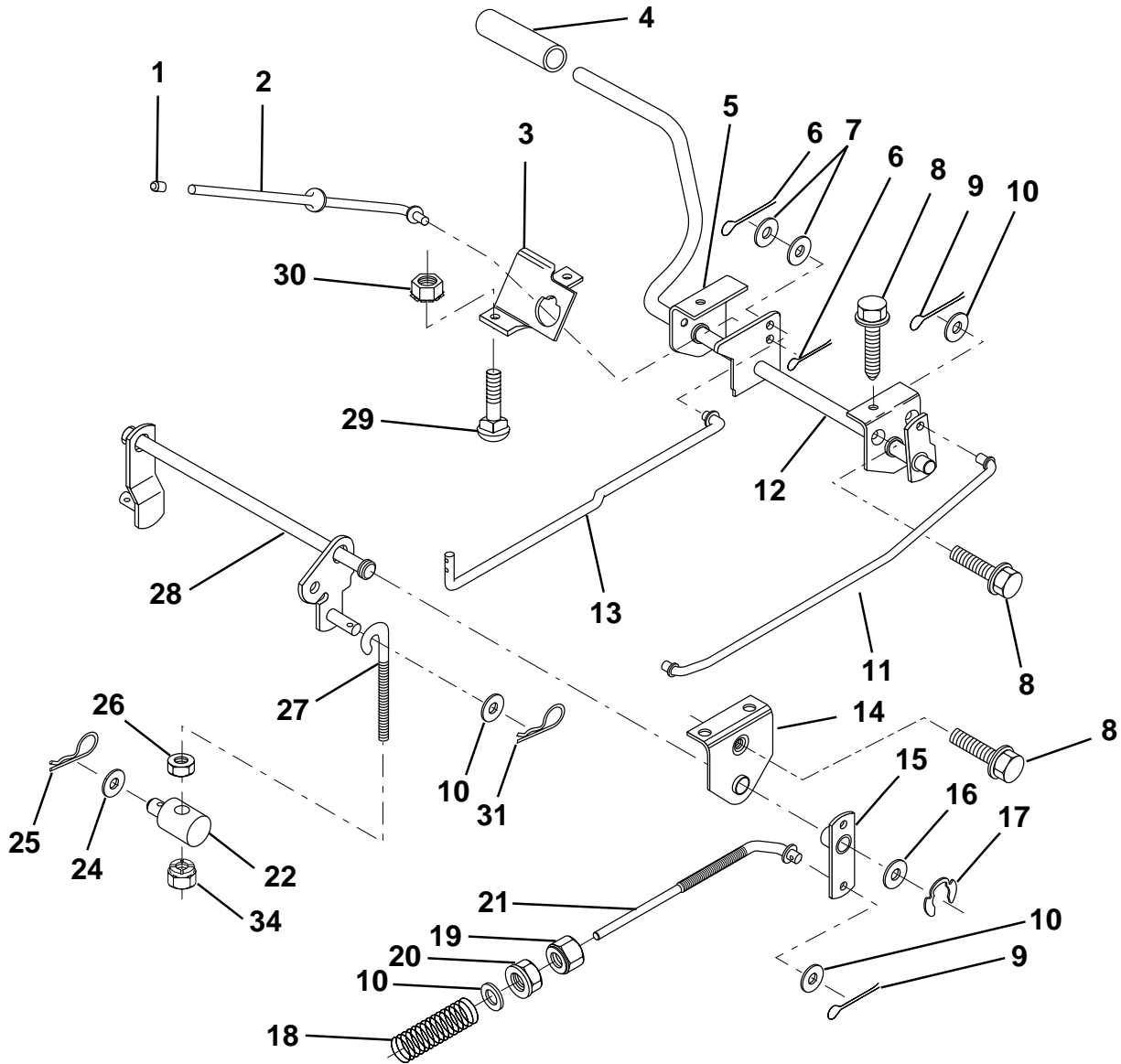
KEY NO.	PART NO.	DESCRIPTION
10	819131316	Washer 13/32 x 13/16 x 16 Ga.
11	532126847	Bushing
12	532130465	Rod, Tie
13	532161827	Spindle, L.H. Asm.
14	874011056	Bolt Hex 5/8-11 UNC x 3-1/2
15	873901000	Nut Lock Flange 5/8-11
16	532110438	Spacer Bearing Axle
17	532124836	Fitting Grease
18	819272016	Washer 27/32 x 1-1/4 x 16 Ga.

HARDWARE SHOWN LARGER FOR EASIER IDENTIFICATION

REPAIR PARTS

TRACTOR - - MODEL NUMBER P115B (P115TC90D)

BRAKE/REAR MOWER LIFT ASSEMBLY



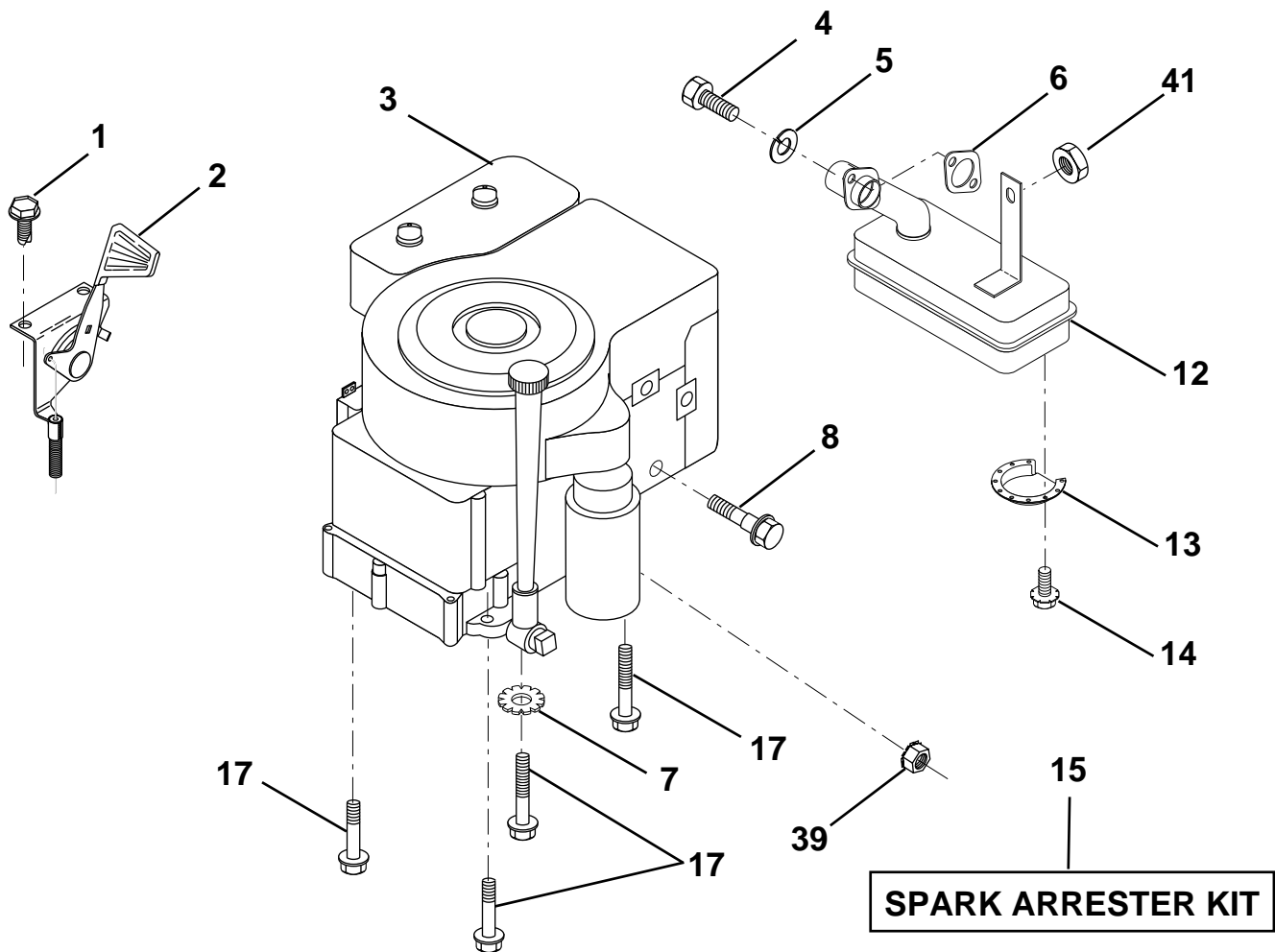
KEY NO.	PART NO.	DESCRIPTION	KEY NO.	PART NO.	DESCRIPTION
1	532071673	Cap, Plunger	16	819251816	Washer 25/32 x 1-1/8 x 16 Ga.
2	532123436	Rod, Parking Brake	17	812000034	Ring, Klip
3	532123437	Bracket, Parking Brake	18	532151332	Spring, Brake Rod
4	532008156	Cover, Pedal	19	873350600	Nut, Hex, Jam 3/8-16 UNC
5	532122504	Bracket, Clutch Pedal, LH	20	873800600	Nut, Lock, Hex W/Ins. 3/8-16 UNC
6	876020312	Pin, Cotter 3/32 x 3/4	21	532131460	Rod, Rear Brake
7	819131016	Washer 13/32 x 5/8 x 16 Ga.	22	532144585	Trunnion, Lift
8	817490508	Screw, Hex, Thd. Roll. 5/16-18 x 1/2	24	819132012	Washer 13/32 x 1-1/4 x 12 Ga.
9	876020412	Pin, Cotter 1/8 x 3/4	25	532124961	Spring, Retainer
10	819131316	Washer 13/32 x 13/16 x 16 Ga.	26	873930600	Nut, Centerlock 3/8-16 UNC
11	532123543	Rod, Brake Front	27	532127369	Link, Threaded
12	532139933	Assembly, Clutch/Brake Pedal	28	532140776	Assembly, Rear Mower Lift
13	532123394	Rod, Clutch	29	872110506	Bolt, Carriage 5/16-18 UNC x 3/4
14	532121978	Bracket, Lift, Shaft	30	873510500	Nut, Keps 5/16-16 UNC
15	532133332	Assembly, Brake, Pivot, Arm	31	532124660	Retainer, Spring
			34	873680600	Nut, Crownlock 3/8-16 UNC

HARDWARE SHOWN LARGER FOR EASIER IDENTIFICATION

REPAIR PARTS

TRACTOR - - MODEL NUMBER P115B (P115TC90D)

ENGINE/THROTTLE



KEY NO.	PART NO.	DESCRIPTION
1	817720410	Screw, Hex Thd. Cut 1/4-20 x 5/8
2	532132752	Control, Throttle
3	-----	Engine, Tec. OHV130
4	532123528	Bolt, Hex Hd Phillips
5	810040500	Washer Lock Hvy Hlcl Spr. 5/16
6	532165291	Gasket, Exhaust
7	811050600	Washer, Lock Ext. Tooth 3/8
8	532081328	Bolt, Shoulder 5/16
12	532156448	Muffler

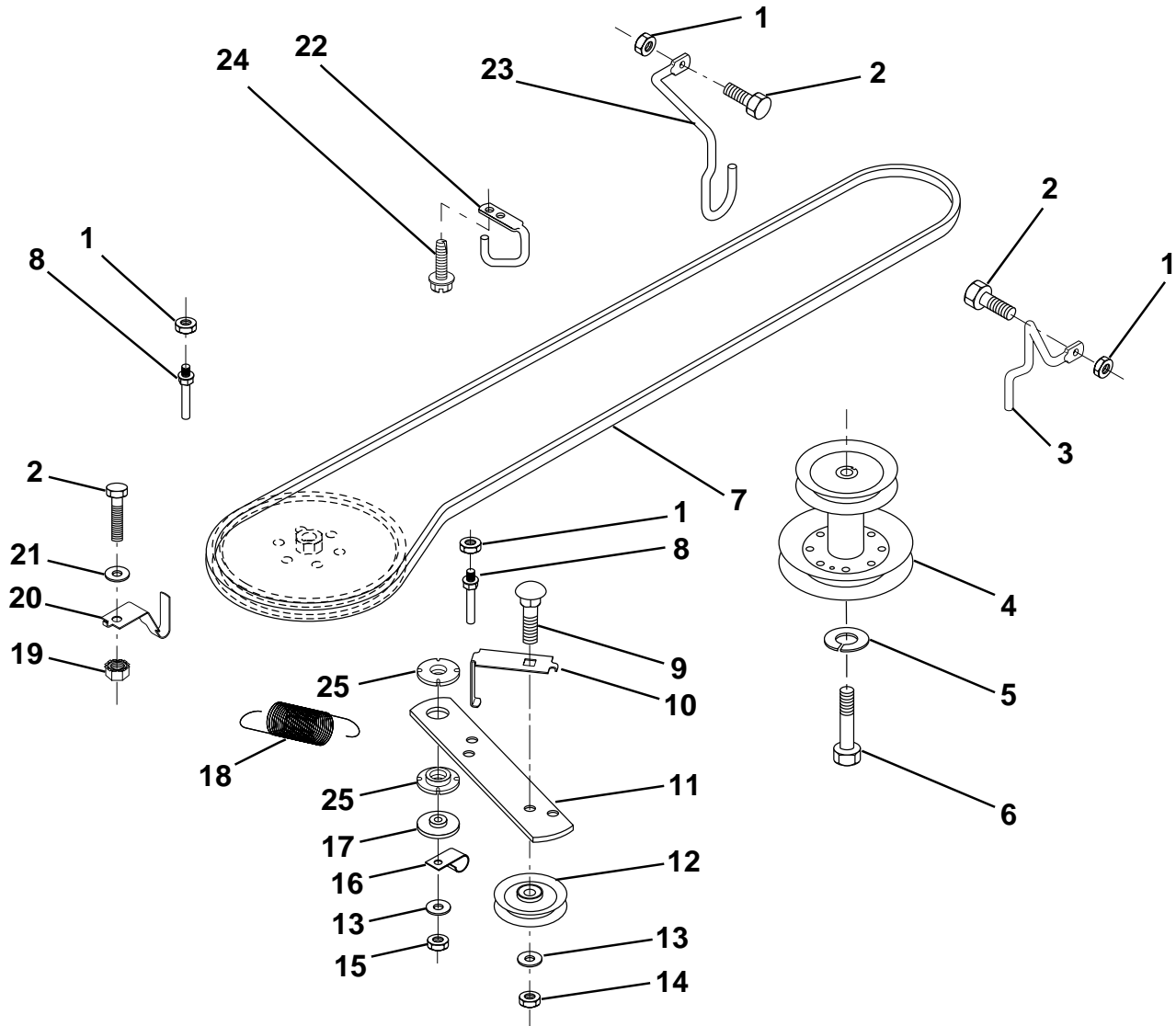
KEY NO.	PART NO.	DESCRIPTION
13	532101326	Deflector, Mower
14	817030808	Screw, Spiderloc
15	532137180	Arrester, Spark (Optional equipment)
17	817490624	Screw, Hex Wsh Hd Thdrol 3/8-16 x 1-1/2
39	532128861	Nut, Flange 1/4-20
41	873900500	Nut Lock Hex Flange 5/16-18

HARDWARE SHOWN LARGER FOR EASIER IDENTIFICATION

REPAIR PARTS

TRACTOR - - MODEL NUMBER P115B (P115TC90D)

GROUND DRIVE



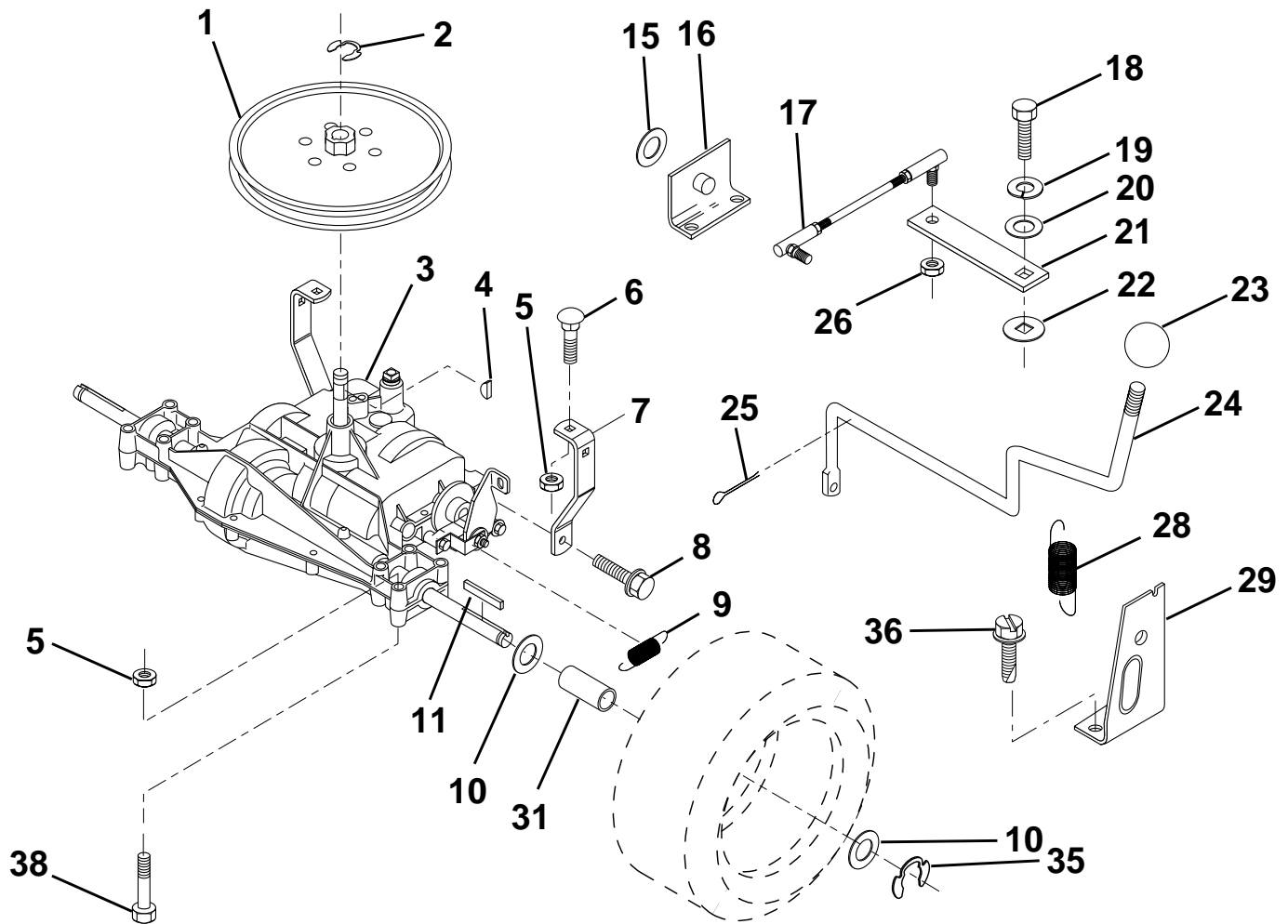
KEY NO.	PART NO.	DESCRIPTION	KEY NO.	PART NO.	DESCRIPTION
1	873680500	Nut, Crownlock 5/16-18	14	873930600	Nut, Centerlock 3/8-16 UNC
2	874760512	Bolt, Hex Hd 5/16-18 UNC x 3/4	15	873680600	Nut, Crownlock 3/8-16 UNC
3	532141342	Keeper, Mower Drive, R. H.	16	532126471	Clip, Insulated
4	532138029	Pulley, Engine	17	532150932	Spacer, Retainer
5	810040700	Washer, Lock 7/16	18	532131459	Spring Extension
6	871170744	Bolt, Fin. Hex 7/16-20	19	873510500	Nut, Keps 5/16-18 UNC
7	532126520	Traction, V-Belt Drive	20	532139919	Keeper, T/A Ground Drive Belt
8	532123405	Keeper, T/A Ground Drive Belt	21	819111016	Washer 11/32 x 5/8 x 16 Ga.
9	872140612	Bolt, Carr. 3/8-16 UNC x 1-1/2	22	532123404	Keeper, Frame Ground Drive Belt
10	532123396	Keeper, Belt Ground Drive Idler	23	532140916	Keeper, Mower Drive, L. H.
11	532150926	Arm, Ground Drive Clutch	24	817720408	Screw, Thd. Cut 1/4-20 x 1/2
12	532123674	Idler, Flat	25	532150935	Bushing, Nylon
13	819131316	Washer 13/32 x 13/16 x 16 Ga.			

HARDWARE SHOWN LARGER FOR EASIER IDENTIFICATION

REPAIR PARTS

TRACTOR - - MODEL NUMBER P115B (P115TC90D)

TRANSAXLE



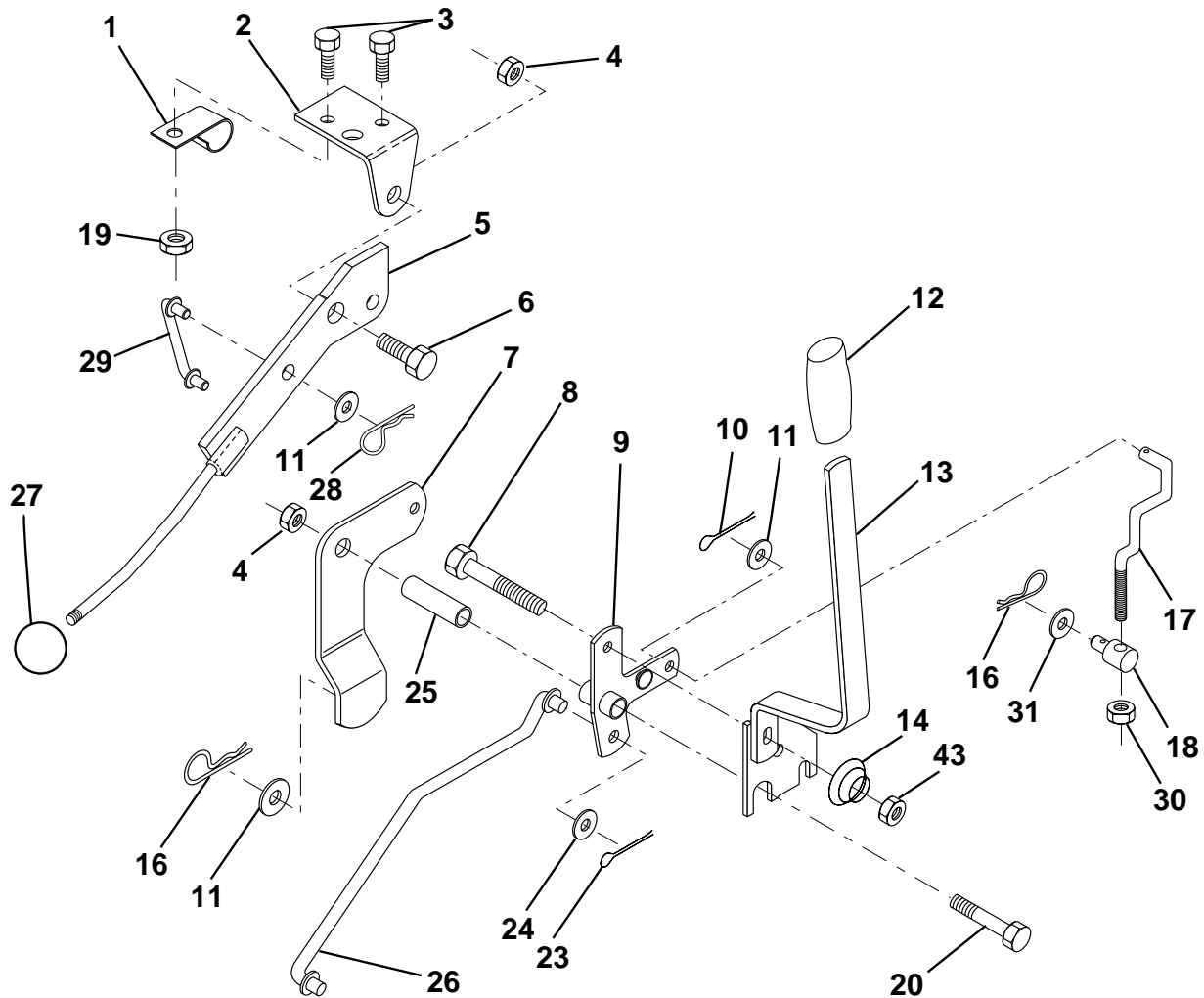
KEY NO.	PART NO.	DESCRIPTION	KEY NO.	PART NO.	DESCRIPTION
1	532123385	Pulley	18	874550412	Bolt, Fin Hex 1/4-28 UNF x 3/4 Gr. 8
2	812000028	Ring, Retainer	19	810040400	Washer, Lock 1/4
3	-----	Transaxle Peerless 205-544C (Order parts from transaxle manufacturer)	20	819091210	Washer 9/32 x 3/4 x 10 Ga.
4	532125096	Key, Woodruff #9	21	532126292	Arm, Shift
5	873680500	Nut, Crownlock 5/16-18	22	532105701	Washer, Shift Plate
6	872140506	Bolt, Carriage 5/16-18 UNC x 3/4	23	532106933	Knob, Duckhead
7	532123378	Strap, Torque	24	532128215	Rod, Shift
8	817490512	Screw 5/16-18 x 3/4	25	876020416	Pin, Cotter 1/8 x 1
9	532146682	Spring, Brake	26	873810500	Nut, Hex Nylon
10	532121749	Washer 25/32 x 1-1/4 x 16 Ga.	28	532128085	Extension, Spring
11	532123583	Key, Square	29	532128084	Support Handle Shift RH
15	819171616	Washer 17/32 x 1 x 16 Ga.	31	532137057	Spacer Split
16	532124600	Support Handle Shift LH	35	812000001	E-Ring
17	532126293	Link, Shift	36	817720408	Screw, Thd. Cut 1/4-20 x 1/2
			38	874490540	Bolt Hex Flghd 5/16-18

HARDWARE SHOWN LARGER FOR EASIER IDENTIFICATION

REPAIR PARTS

TRACTOR - - MODEL NUMBER P115B (P115TC90D)

MOWER LIFT LEVER



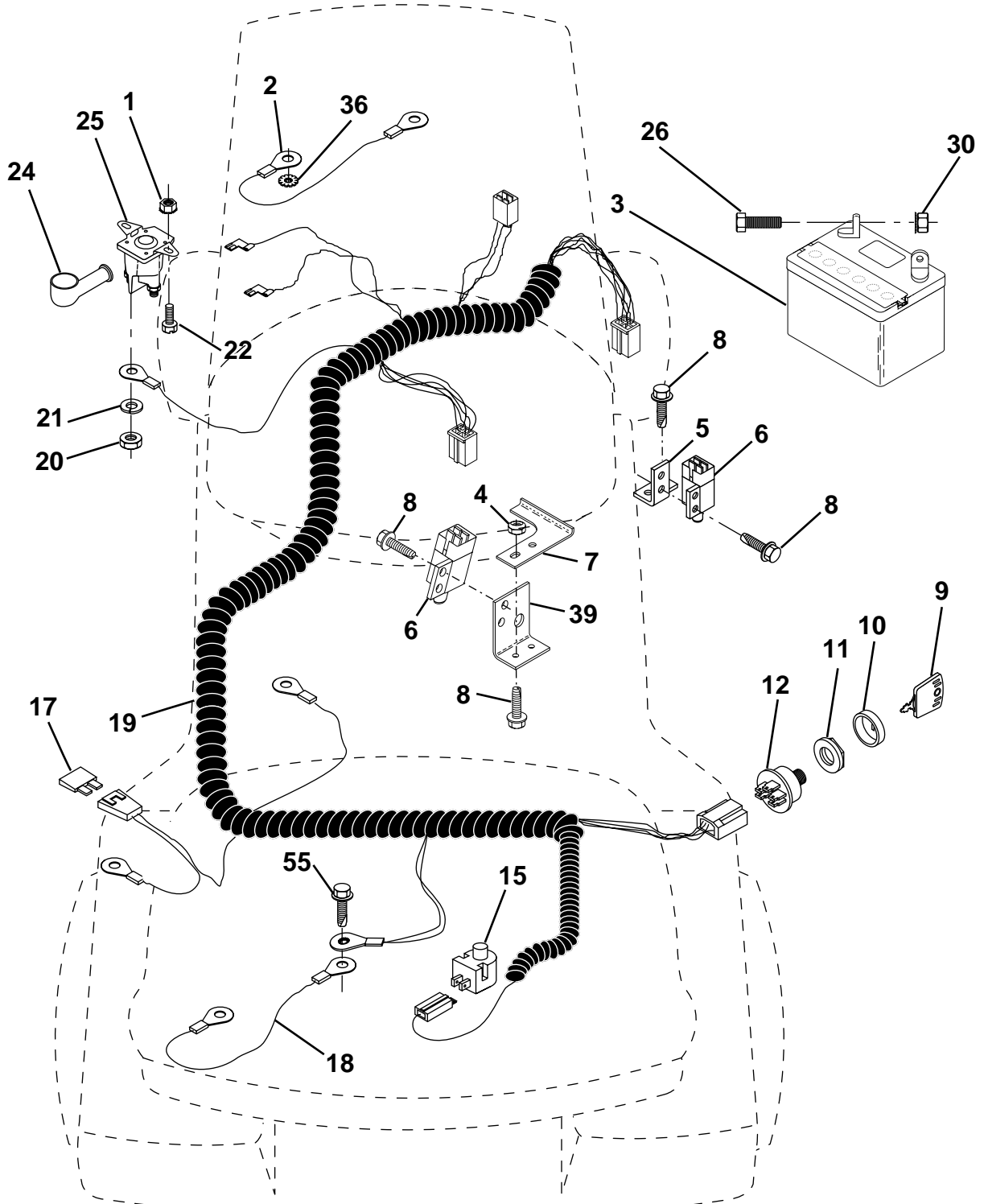
KEY NO.	PART NO.	DESCRIPTION	KEY NO.	PART NO.	DESCRIPTION
1	532126470	Clip, Insulated	17	532127359	Link, Front Lift
2	532122018	Bracket, Mower Clutch	18	532142028	Trunnion, Threaded 3/8-16
3	871110408	Bolt, Fin. Hex 1/4-20 UNC x 1/2 Gr. 5	19	873680400	Nut, Crownlock 1/4-20
4	873680600	Nut, Crownlock 3/8-16 UNC	20	874760644	Bolt, Fin. Hex 3/8-16 UNC x 2-3/4
5	532145187	Assembly, Clutch Lever	23	876020416	Pin, Cotter 1/8 x 1
6	532106451	Bolt, Shoulder	24	819171612	Washer 17/32 x 1 x 12 Ga.
7	532135371	Assembly, Mower Clutch Arm	25	532121933	Tube, Spacer
8	874760636	Bolt, Hex 3/8-16 UNC x 2-1/4	26	532141470	Rod, Mower Lift
9	532121930	Assembly, Bracket Lift	27	532106932	Knob
10	876020412	Pin, Cotter 1/8 x 3/4	28	532124788	Retainer Spring
11	819131316	Washer 13/32 x 13/16 x 16 Ga.	29	532131655	Link, Mower Clutch
12	532131861	Grip, Handle	30	873350600	Nut Hex Jam 3/8-16 UNC
13	532139352	Assembly, Lift Handle	31	819132012	Washer 13/32 x 1-1/4 x 12 Ga.
14	532123496	Spring, Compression	43	873900600	Nut Lock Flg 3/8-16 Unc
16	532124961	Retainer, Spring			

HARDWARE SHOWN LARGER FOR EASIER IDENTIFICATION

REPAIR PARTS

TRACTOR - - MODEL NUMBER P115B (P115TC90D)

ELECTRICAL



REPAIR PARTS

TRACTOR - - MODEL NUMBER P115B (P115TC90D)

ELECTRICAL

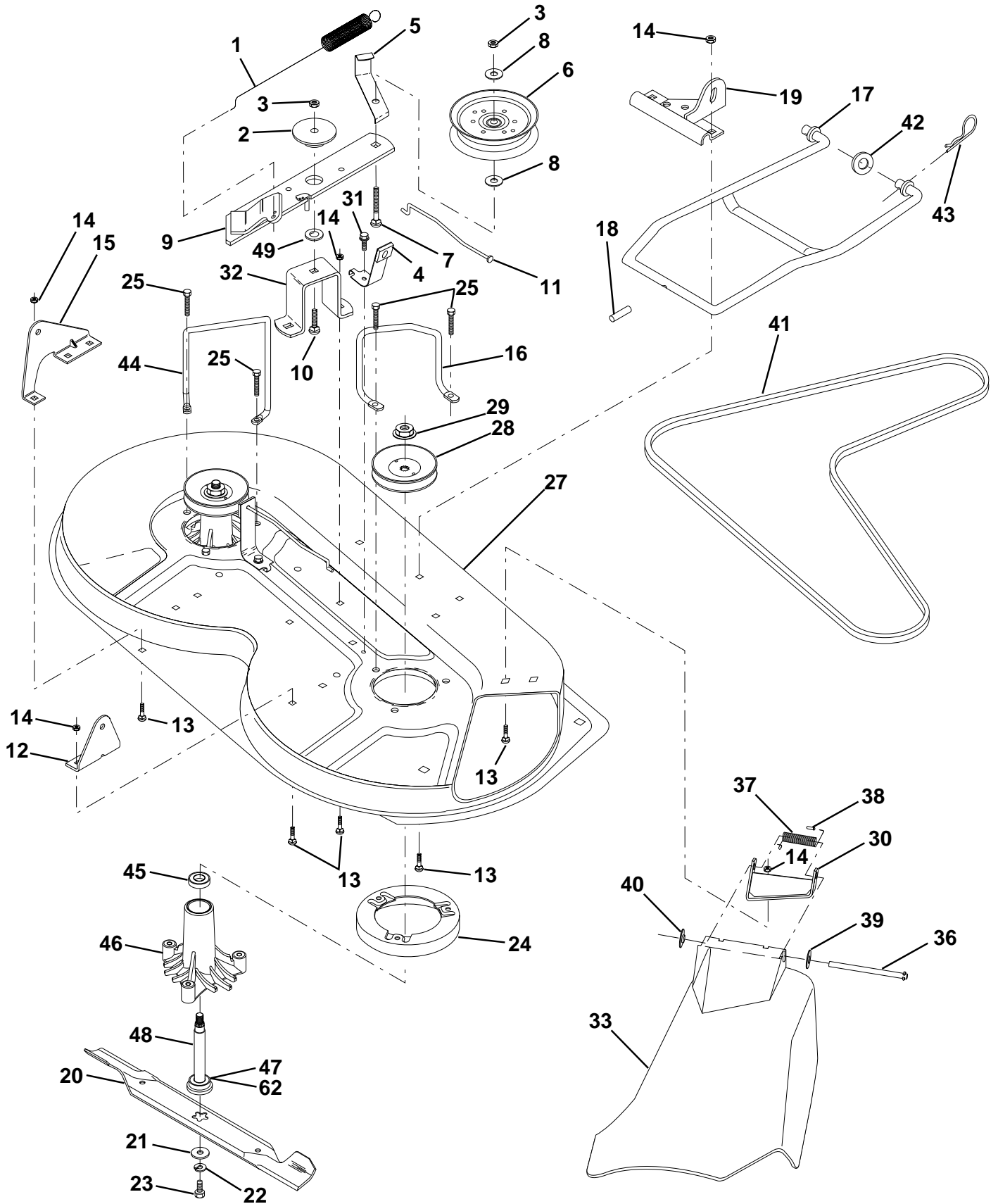
KEY NO.	PART NO.	DESCRIPTION
1	873640400	Nut, Hex Keps 1/4-20
2	532004560	Assembly, Cable
3	532144924	Battery
4	532069180	Nut, Lock #10-24 UNC
5	532108236	Bracket, Switch
6	532109553	Switch, Interlock
7	532146374	keeper, Actuator
8	817021008	Screw, Tap Hex Hd.
9	532140401	Key, Molded
10	532141226	Cover, Key Ignition
11	532140400	Nut, Ignition
12	532163088	Switch, Ignition
15	532121305	Switch, Plunger
17	532166180	Fuse
18	532128353	Assembly, Cable
19	532170206	Harness, Ignition
20	873350400	Nut, Hex Jam 1/4-20
21	810090400	Washer, Lock 1/4
22	871110408	Bolt, Fin Hex 1/4-20 UNC x 1/2
24	532131563	Cover, Terminal
25	532145673	Solenoid
26	874760412	Bolt, Hex Hd. 1/4-20 UNC x 3/4
30	873510400	Nut Keps Hex 1/4-20 UNC
36	811150400	Washer Lock 1/4 Ext.
39	532141735	Bracket, Switch Clutch
55	817490508	Screw, Thdrol 5/16-18 x 1/2

HARDWARE SHOWN LARGER FOR EASIER IDENTIFICATION

REPAIR PARTS

TRACTOR - - MODEL NUMBER P115B (P115TC90D)

MOWER DECK



REPAIR PARTS

TRACTOR - - MODEL NUMBER P115B (P115TC90D)

MOWER DECK

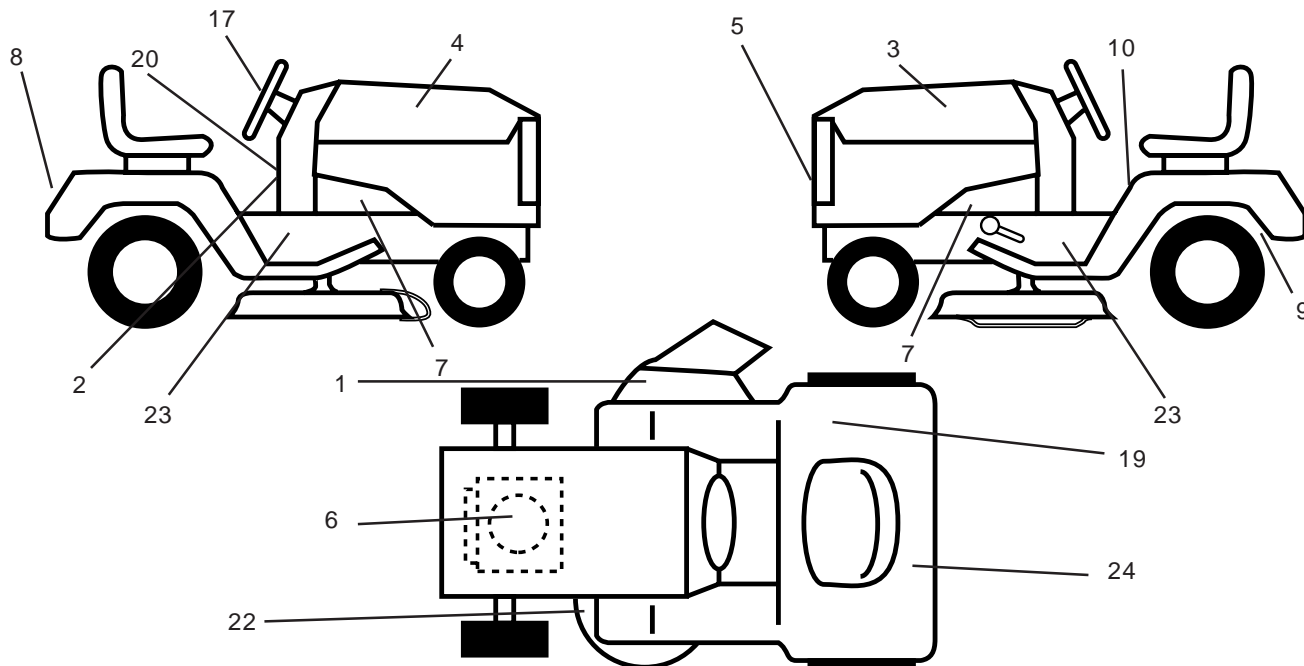
KEY NO.	PART NO.	DESCRIPTION	KEY NO.	PART NO.	DESCRIPTION
1	532140064	Spring, Mower Clutch	28	532153531	Pulley, Mandrel
2	532165723	Spacer, Retainer	29	532137266	Nut, Flangelock 9/16
3	873680600	Nut, Crownlock	30	532136631	Bracket, Asm. Deflector
4	532130840	Brake Asm.	31	817490508	Screw, Hex Wsh. Thdrol. 5/16-18 x 1/2
5	532131251	Guide, Belt Idler	32	532122051	Arm, Support Idler Mower
6	532121316	Pulley, Flat Idler	33	532171156	Deflector
7	872110616	Bolt, Carr. 3/8-16 x 2 Gr. 5	36	532121980	Rod, Hinge
8	819131410	Washer 13/21 x 7/8 x 10 Ga.	37	532123713	Spring, Torsion Deflector
9	532127744	Arm Asm., Idler Mower	38	532105304	Cap, Sleeve
10	872140610	Bolt, Carriage 3/8-16 x 1-1/4	39	819111016	Washer 11/32 x 5/8 x 16 Ga.
11	532130841	Rod, Brake	40	532110452	Pushnut
12	532127356	Bracket, Lift R.H. Rear	41	532131264	V-Belt
13	872140506	Bolt, Carriage 5/16-18 x 3/4	42	819171616	Washer 11/32 x 5/8 x 16 Ga.
14	873680500	Nut, Crownlock 5/16-18	43	532124660	Retainer, Spring
15	532127357	Bracket, Lift L.H. Rear	44	532140608	Keeper, L.H.
16	532153298	Keeper, R.H.	45	532110485	Bearing
17	532128508	Link, Asm. Mower Stabilizer	46	532128774	Housing, Mandrel
18	532128511	Pin, Drive	47	532129895	Bearing
19	532127380	Bracket, Asm. Front	48	532137645	Shaft, Asm. Mandrel (Incl. Key #47)
20	532138496	Blade	49	532133943	Washer Hardened
21	532140296	Washer, Hard	62	532153390	Washer Felt
22	810030600	Washer, Lock 3/8	--	532130794	Mandrel Asm. (Includes Key Nos. 21-23, 26, 29 and 45-48)
23	532850857	Bolt 3/8-24 x 1-1/4 Gr. 8	--	532156866	Deck, Service Complete
24	532140329	Stripper			
25	532157722	Screw Thdrol. Wsh Head			
27	532156600	Deck Assembly			

HARDWARE SHOWN LARGER FOR EASIER IDENTIFICATION

REPAIR PARTS

TRACTOR - - MODEL NUMBER P115B (P115TC90D)

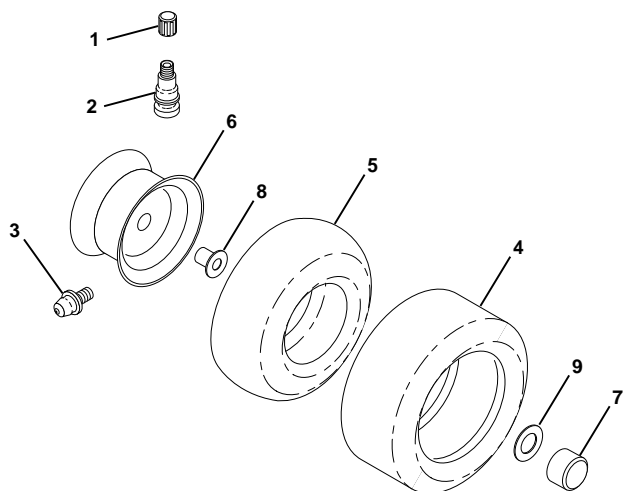
DECALS



KEY NO.	PART NO.	DESCRIPTION
1	532145494	Decal, Cutfinger
2	532145437	Decal, Europ. Stand. CE Tractors
3	532166744	Decal, Hood, L. H.
4	532166743	Decal, Hood, R. H.
5	532140951	Decal, Grill
6	532163853	Decal, Tec Engine HP
7	532159736	Decal, Chassis Hot Muffler
8	532140987	Decal, Fender
9	532162598	Decal, Drawbar Load Limit
10	532145498	Decal, Read, Owners Manual Syms

KEY NO.	PART NO.	DESCRIPTION
17	532146998	Decal, Steering Wheel
19	532126187	Decal DBA
20	532159739	Decal, Brake/Clutch Symbols
22	532136830	Decal, V-Belt Sch.
23	532137588	Decal, Chas. Turbo
24	532145005	Decal, Bat. Dan/Poi
--	532138311	Decal, Handle, Lift
--	532172228	Manual, Operator's (Euro.)
--	532172229	Manual, Operator's (Scan.)

WHEELS & TIRES



KEY NO.	PART NO.	DESCRIPTION
1	532059192	Cap, Valve
2	532065139	Stem, Valve
3	532124957	Fitting, Grease (Front Wheels Only)
4	532137422	Tire, Front
4	532132703	Tire, Rear
5	532059904	Tube, Front (Optional Service Item Only)
5	532008134	Tube, Rear (Optional Service Item Only)
6	532141472	Rim, Front
6	532141268	Rim, Rear
7	532104757	Cap, Axle
8	532124959	Bearing, Flange
9	532121748	Washer 25/32 x 1-5/8 x 16 Ga.
--	532144334	Sealant, Tire (10 oz. Tube)