



REPAIR PARTS MANUAL
MODEL NO. Y1292RBA
Lawn Tractor

Yard Pro

HOW TO USE THIS MANUAL

This manual is designed to provide the customer with a means to identify the parts on his/her tractor when ordering repair parts. The illustrations may or may not represent the actual assemblies; therefore, it is not recommended to use this manual as a guide to assemble or disassemble the tractor. Some hardware and parts are drawn larger in order to more readily identify them.

Each tractor has its own model number.

The model number for your tractor can be found on the fender under the seat.

When ordering parts, always give the following information:

- Product - "Tractor"
- Model Number - "Y1292RBA"
- Part Number
- Part Description

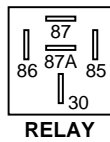
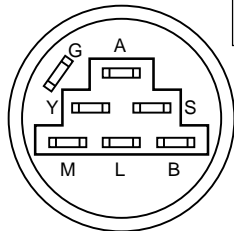
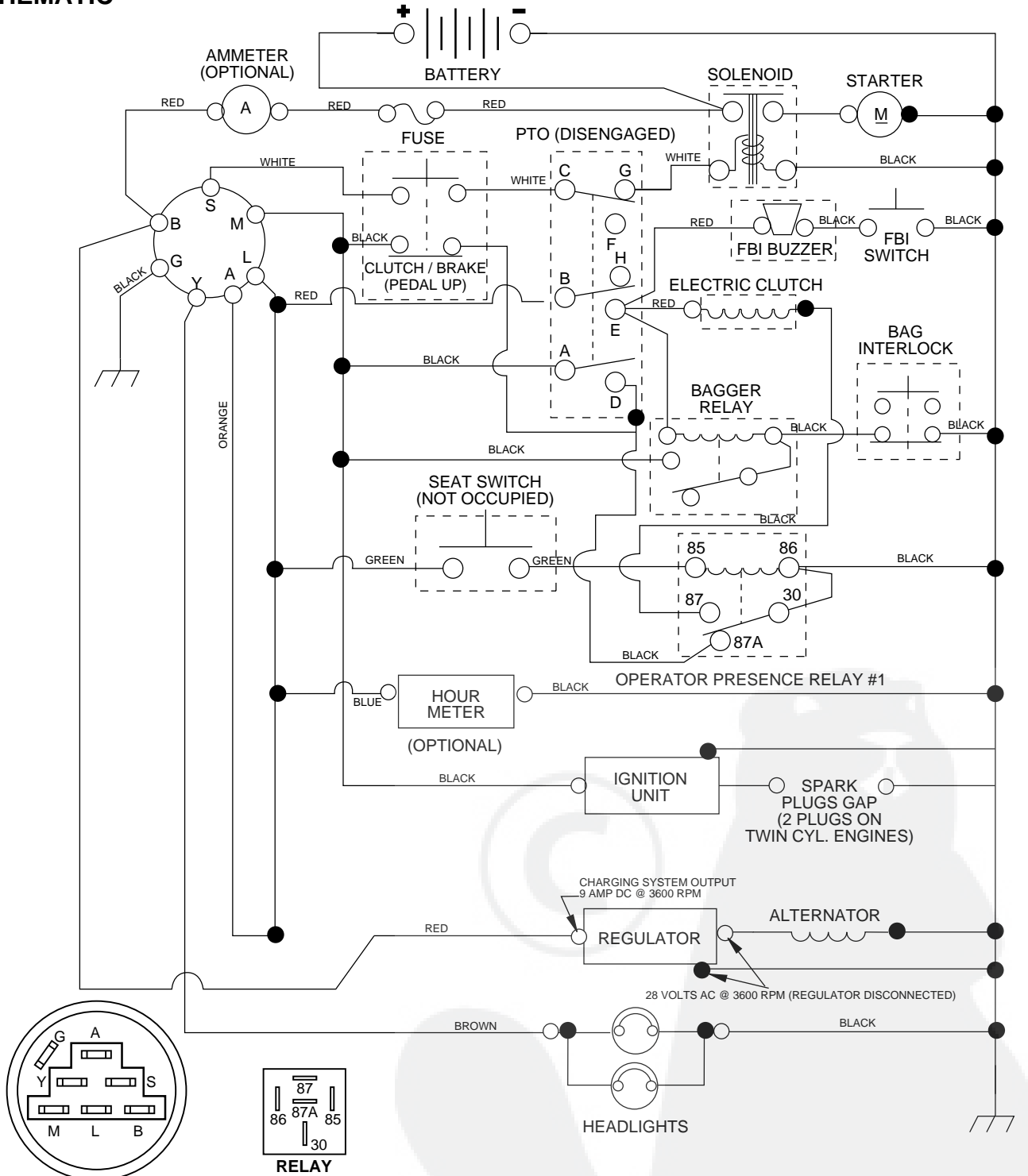
TABLE OF CONTENTS

SCHEMATIC	3
ELECTRICAL	4-5
CHASSIS	6-7
DRIVE	8-9
STEERING	10-11
SEAT	12
DECALS	13
ENGINE	14-15
MOWER LIFT	16-17
MOWER DECK	18-19
BAGGER	20-21

REPAIR PARTS

TRACTOR- -MODEL NO. Y1292RBA

SCHEMATIC

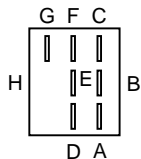


IGNITION SWITCH

POSITION	CIRCUIT	"MAKE"
OFF	G + M + L	NONE
RUN/LIGHT	B + L	A + Y
RUN	B + L	NONE
START	B + L + S	NONE

PTO SWITCH

POSITION	CIRCUIT
OFF	C + G, B + H
ON	C + F, B + E, A + D



● NON-REMOVABLE CONNECTIONS

○ REMOVABLE CONNECTIONS

WIRING INSULATED CLIPS
NOTE: IF WIRING INSULATED CLIPS WERE REMOVED FOR SERVICING OF UNIT, THEY SHOULD BE REPLACED TO PROPERLY SECURE YOUR WIRING.

REPAIR PARTS

TRACTOR- -MODEL NO. Y1292RBA

ELECTRICAL

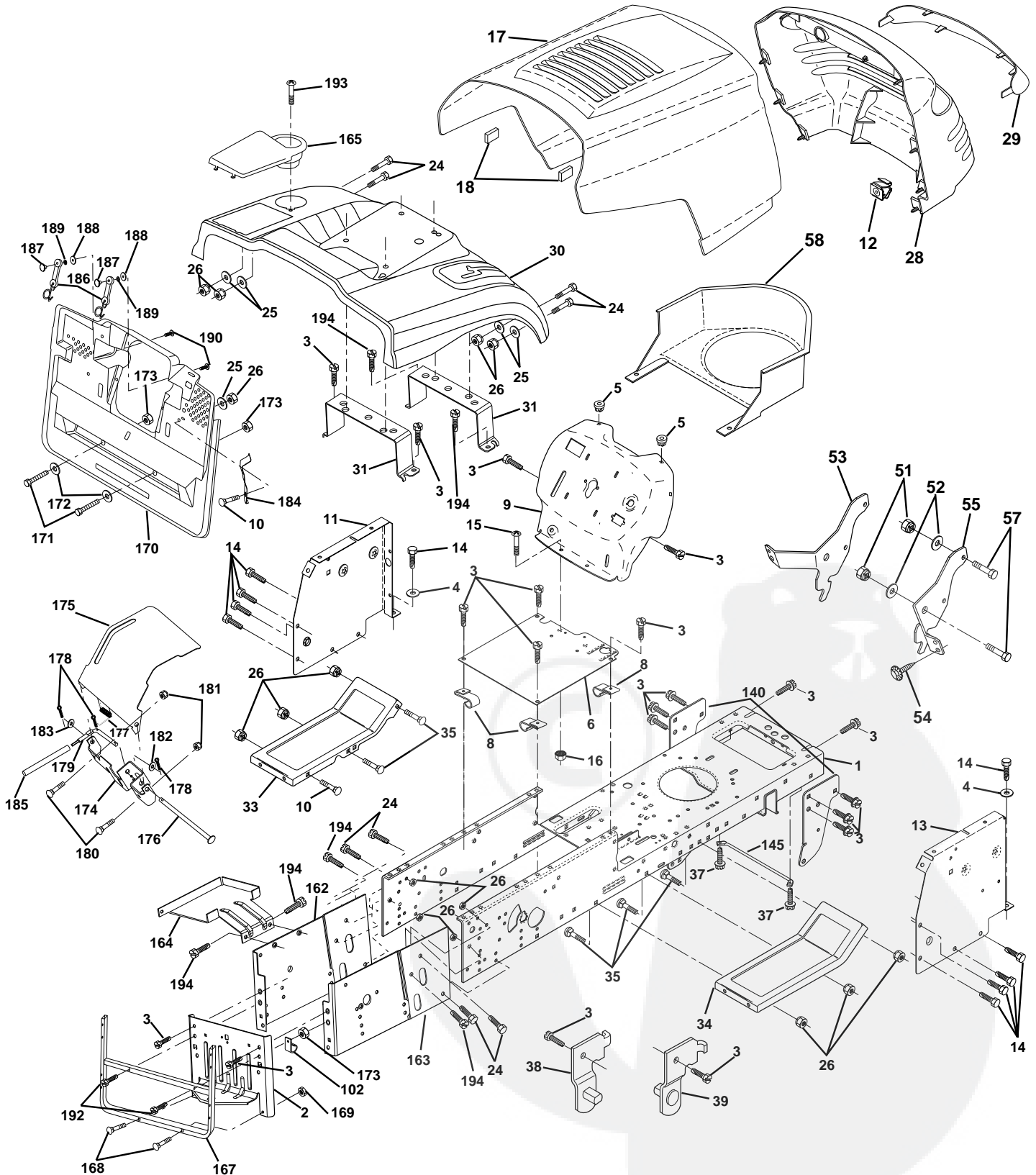
KEY NO.	PART NO.	DESCRIPTION
1	144925	Battery 12 Volt 25 AMP Wet
2	74760412	Bolt Hex Hd 1/4-20 Unc X 3/4
16	153664	Switch Interlock Push-In
19	10090400	Washer Lock 1/4
20	73350400	Nut Jam Hex 1/4-20 Unc
21	166181	Harness Asm Light W/4152J
22	4152J	Bulb Light #1156
24	4799J	Cable Starter 6Ga 11" Red
25	165987	Cable Battery Crd 56" Red
26	166180	Fuse 15 Amp
27	73510400	Nut Keps Hex 1/4-20 Unc
28	127725X	Cable Ground 6Ga 18" Black
29	160784	Switch Plunger Normal Op Olive
30	140301	Switch Ignition 4Pos W/Lights
31	124211X	Nut Ignition #125
32	141226	Cover Switch Ignition #121
33	122147X	Key Ign Molded Indak
40	166158	Harness Ign Crd Elect
41	71110408	Bolt Flk Fin Hex 1/4-20 Unc X 1/2
42	131563	Cover Terminal Red
43	145673	Solenoid
44	73640400	Nut Keps Blk Hex 1/4-20 Unc
48	140844	Adapter Ammeter Rectangular
50	154963	Switch PTO 3PDT Red Delta 96
51	140405	Ring Retainer PTO
52	141940	Protection Wire Loop
58	165943	Buzzer Crd
59	166299	Switch FBI CRD
65	17211008	Screw Slftp #10-16 x 1/2 Ty-Ab
66	17490608	Screw Thdrol 3/8-16 x 1/2 Ty-Tt
70	166668	Harness Engine B&S Reg W/AFTS0
80	146685	Harness Clutch EVX
81	109748X	Relay Asm

NOTE: All component dimensions given in U.S. inches.
1 inch = 25.4 mm.

REPAIR PARTS

TRACTOR- -MODEL NO. Y1292RBA

CHASSIS AND ENCLOSURES



REPAIR PARTS

TRACTOR- -MODEL NO. Y1292RBA

CHASSIS AND ENCLOSURES

KEY NO.	PART NO.	DESCRIPTION	KEY NO.	PART NO.	DESCRIPTION
1	165480	Chassis Assembly	102	2751R	Clip line Fule 13/32 Mtg Hole
2	165606	Drawbar	140	158418	Bracket Front Suspension
3	17490612	Screw, Thd. Roll. 3/8-16 x 3/4	145	156524	Rod Pivot Chassis/Hood
4	19131216	Washer 13/32 x 3/4 x 16 Gauge	162	165672	Bracket Exten Chassis Lh CRD
5	155272	Bumper Hood/Dash	163	165673	Bracket Exten Chassis Rh CRD
6	155923	Saddle	164	165605	Support Battery CRD
8	126471X	Clip Insulator 13/32 Mtg. Hole	165	165742X428	Cover Battery CRD Lt
9	147631X011	Dash	167	165779	Support Asm. Backplate WLDMNT
10	72140608	Bolt, Carriage 3/8-16 x 3/4	168	72050412	Bolt, RDHD SHT NK 1/4-20 x 1-1/2
11	155927	Panel, Dash, L.H.	169	123976X	Nut, Lock 1/4 LGE FLG Gr. 5 Zinc
12	145660	Clip, Tinnerman Grille P/L	170	165607	Cover, Backplate Plastic Black
13	155934X010	Panel, Asm. Dash R.H.	171	74520640	Bolt, Fin Hex 3/8-16 x 2-1/2 Gr. 5
14	17490608	Screw Thdrol 3/8-16 x 1/2	172	19132016	Washer 13/32 x 1-1/4 x 16 Ga.
15	74180512	Screw, Machine, Truss Head 5/16-18 UNC x 3/4	173	73510600	Nut, Keps Hex 3/8-16 UNC
16	73510500	Nut	174	165939	Bracket Switch FBI CRD
17	159639X505	Hood Assembly	175	166212	Guard Door Rear CRD
18	126938X	Bumper Hood	176	128600	Pin Hinge Pivot
24	74780616	Bolt	177	132796	Spring Bagger Top LH Black
25	19131312	Washer 13/32 x 13/16 x 12 Gauge	178	76020312	Pin Cotter 3/32 x 3/4 Cad Zinc
26	73800600	Nut	179	165942	Rod Pivot FBI CRD
28	157373	Grille PL	180	74760516	Bolt Hex HD 5/16-18 UNC x 1
29	140273X599	Lens, Grille	181	73680500	Nut Crownlock 5/16-18
30	165714X505	Fender	182	138200	Washer .385 x .625 x 11 Ga.
31	165156	Bracket, Fender Support	183	19131316	Washer 13/32 x 13/16 x 16 Ga.
33	145244X505	Footrest, L.H.	184	166139	Bracket Actuator Bagger CRD
34	145243X505	Footrest, R.H.	185	165940	Tube Lever Switch FBI CRD
35	72110606	Bolt	186	160793	Latch Asm Mulch/Bagger
37	17490508	Screw Thdrol 5/16-18 x 1/2 TYT	187	2029J	Nut Weld .327/.304 #10-24
38	139886	Pivot Bracket Assembly, L.H.	188	19061216	Washer #10
39	139887	Pivot Bracket Assembly, R.H.	189	10071000	Washer Lock #10
51	73800400	Nut Lock w/Insert 1/4-20 UNC	190	71161010	Screw Truss Hd Phil 10-24 x 5/8
52	19091416	Washer 9/32 x 7/8 x 16 Ga.	192	17490624	Screw Thdrol 3/8-16 x 1-1/2
53	144697	Bracket, Grille LH	193	17720410	Screw Hex Thd Cut 1/4-20 x 5/8
54	161464	Screw Hex WSHD 8-18 x 7/8	--	5479J	Plug, Button
55	144696	Bracket, Grille RH			
57	74780412	Bolt, Fin Hex 1/4-20 UNC x .75			
58	150127	Duct Air Engine Pl/Lt			

NOTE: All component dimensions given in U.S. inches.
1 inch = 25.4 mm.

REPAIR PARTS

TRACTOR- -MODEL NO. Y1292RBA

DRIVE

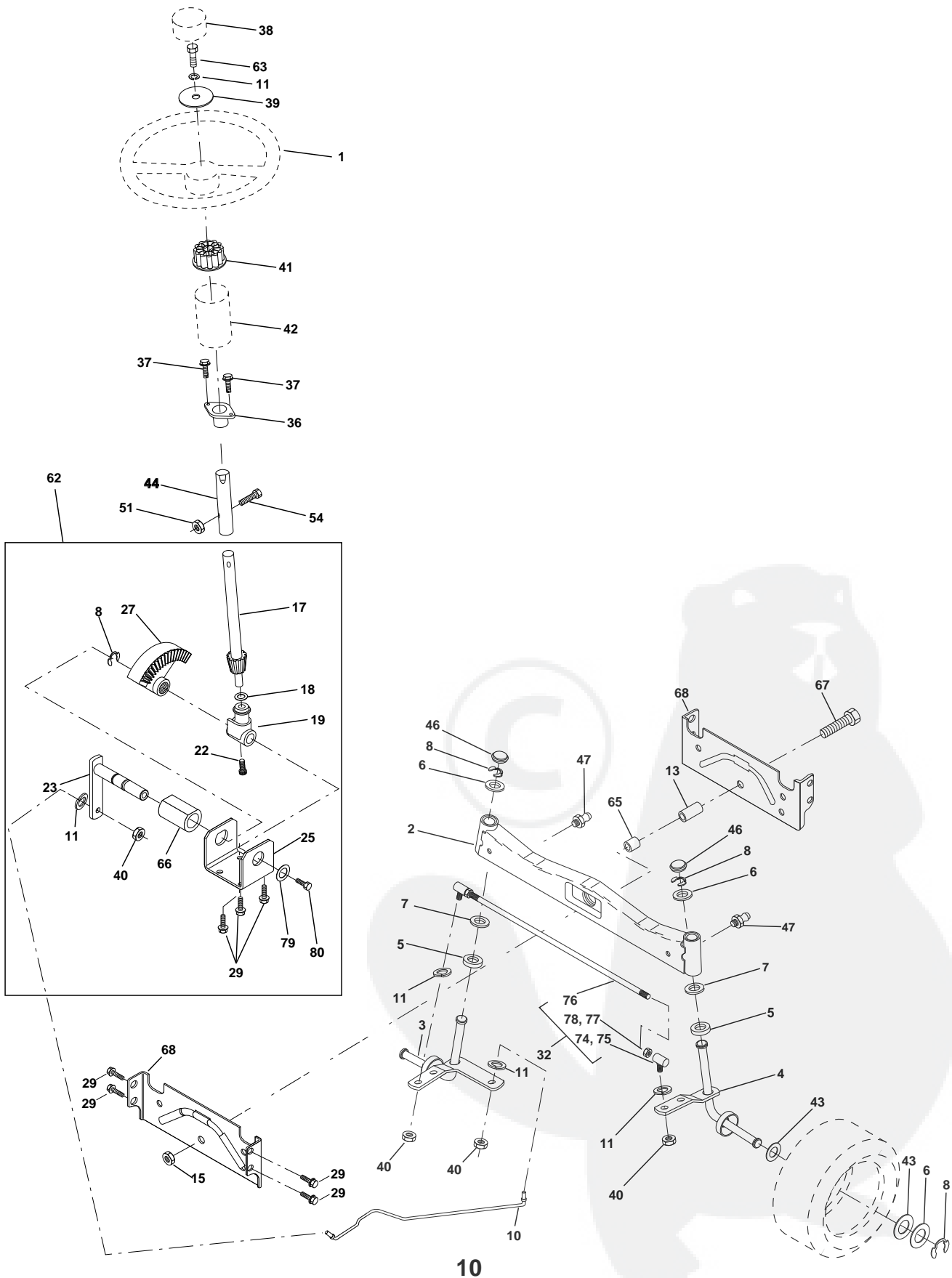
KEY NO.	PART NO.	DESCRIPTION	KEY NO.	PART NO.	DESCRIPTION
1	-----	Transaxle Peerless 206-546 Order parts from transaxle manufacturer	62	8883R	Cover, Pedal
2	146682	Spring Brake Return	63	145868	Pulley, Clutch elect EVX 1"
3	165999	Pulley Transaxle	65	10040700	Washer
4	12000028	Ring Retainer #5100-62	66	154778	Keeper, Belt Engine F-Proof
5	121520X	Strap Torque 30 Degrees	74	137057	Spacer, Axle
8	165619	Rod, Shift Fender Adjust Lt	75	121749X	Washer 25/32 x 1-1/4 x 16 Ga.
9	167162	Clutch Ele EVX 80 W/Hard Brake	76	12000001	Ring, E
10	76020416	Pin, Cotter 1/8 x 1	77	123583X	Key, Square
11	105701X	Wash Plate Sht .388 Square Hole	78	121748X	Washer 25/32 x 1-5/8 x 16 Ga.
13	74550412	Bolt 1/4-28 Unf Gr 8 w/Patch	79	2228M	Key Woodruff #9 3/16 x 3/4
14	10040400	Washer, Lock Hvy Helical	80	145090	Arm Shift Pmst 20" Tires
16	73800500	Nut, Lock Hex w/Ins 5/16-18 UNC	82	123782X	Spring, Torsion
18	74780616	Bolt Hex 3/8-16 UNC x 1 Gr.5	83	19171216	Washer 17/32 x 3/4 x 16 Ga.
19	73800600	Nut, Lock Hex w/Wsh 3/8-16 UNC	84	165621	Link, Shift
20	150280	Bolt, Hex 7/16-20 x 4-1/4 5 Ga 1.38	96	4497H	Spring, Retainer 1"
21	106933X	Knob Rd 1/2-13 Plstc Thds Blk	100	19111216	Washer 11/32 x 3/4 x 16 Ga.
22	165811	Rod, Brake CRD Pmst	112	19091210	Washer 9/32 x 3/4 x 10 Ga
23	154978	Bracket asm Clutch Mtg. EVX 97	145	74490540	Bolt Hex FGHD 5/16-18 x Gr 5
24	73350600	Nut	150	165850	Bushing, Bellcrank Grnd Dr
25	106888X	Spring, Rod, Brake	151	19133210	Washer 13/32 x 2 x 10 Ga.
26	19131316	Washer 13/32 x 13/16 x 16 Ga.	153	74760516	Bolt Hex Hd 5/16-18 Unc x 1
27	76020412	Pin, Cotter 1/8 x 3/4	156	166002	Washer Srrted 5/16ID x 1.125
28	145204	Rod, Parking Brake	158	165589	Bracket Shift Mount
29	124236X	Cap, Parking Brake	159	165494	Hub Tapered Flange Shift Lt
30	130807	Bracket, Mfg. Transaxle	160	19292016	Washer 29/32 x 1-1/4 x 16 Ga.
32	74760512	Bolt Hex 5/16-18 UNC x 3/4	161	72140406	Bolt Rdhd Sqnk 1/4-20 x 3/4 Gr 5
33	72140506	Bolt Rdhd Sqnk 5/16-18 UNC x 3/4	162	73680400	Nut Crownlock 1/4-20 Unc
34	165496	Shaft, Asm Pedal Foot CRD	163	74780416	Bolt Hex Fin 1/4-20 Unc x 1 Gr 5
35	120183X	Bearing, Nylon	164	19091010	Washer 5/8 x .281 x 10 Ga.
36	19211616	Washer 21/32 x 1 x 16 Ga.	165	165623	Bracket Pivot Lever
37	1572H	Pin, Roll 3/16 x 1"	166	166880	Screw 5/16-18 x 5/8
38	165936	Pulley Flat Composite 3.06"	167	165588	Bracket Support Shift CRD
39	74760644	Bolt Fin Hex 3/8-16 x 2-3/4	168	165492	Bolt Shoulder 5/16-18 x .561
40	4470J	Spacer, Split 395 x 59 Bzp	171	17490608	Screw Thdrol 3/8-16 x 1/2 Ty-Tt
42	19131312	Washer 13/32 x 13/16 x 12 Ga.	172	165635	Shaft Shift Front CRD
47	127783	Pulley, Idler, V Groove Plstic	177	165932	Keeper Flat Idler 3.06" CRD
48	154407	Bellcrank Clutch Grnd Drv	178	165933	Keeper Belt Idler 1.88" CRD
49	123205X	Retainer, Belt Style Spring	179	120958X	Washer Sintered
50	74760624	Bolt Hex Hd 3/8-16 UNC x 1-1/2	180	165630	Pulley, Idler, Flat 1.88"CRD
51	73680600	Nut, Crownlock 3/8-16 UNC	181	165797	Bracket Idler Ground Drive CRD
52	73680500	Nut Crownlock 5/16-18	182	165634	Keeper Belt 2.5" Od V-Idler CRD
53	105710X	Link, Clutch 7.66	183	165626	Pulley V-Idler 2.50" Od CRD
55	105709X	Spring, Return, Clutch	184	17490644	Screw Hexwsh Thdrol 3/8-16 x 2-3/4
56	74760620	Bolt, Hex 3/8-16 UNC x 1-1/4	187	17490620	Screw Thdrol 3/8-16 x 1-1/4 TT
57	165631	V-Belt Kev 111" Pmst CRD	188	110436X	Bushing Snap Split
61	17490612	Screw, Thdrol 3/8-16 x 3/4 Ty-TT			

NOTE: All component dimensions given in U.S. inches
1 inch = 25.4 mm

REPAIR PARTS

TRACTOR- -MODEL NO. Y1292RBA

STEERING ASSEMBLY



REPAIR PARTS

TRACTOR- -MODEL NO. Y1292RBA

STEERING ASSEMBLY

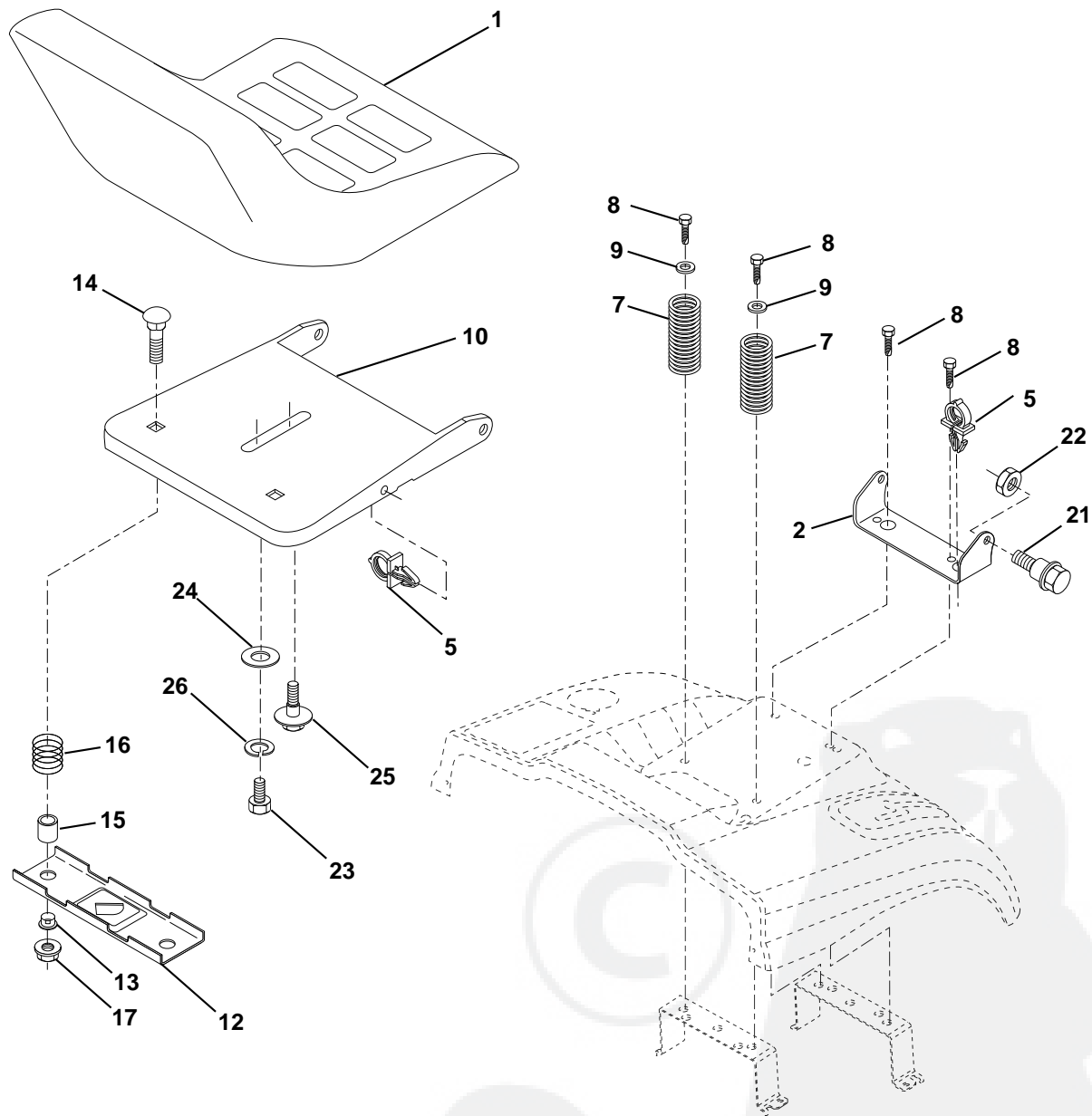
KEY NO.	PART NO.	DESCRIPTION
1	133741	Steering Wheel
2	137094	Front Axle Assembly
3	157479	Spindle Assembly, L.H.
4	157478	Spindle Assembly, R.H.
5	6266H	Bearing, Race, Thrust, Hardened
6	121748X	Washer 25/32 x 1-5/8 x 16 Gauge
7	19272016	Washer 27/32 x 1-1/4 x 16 Gauge
8	12000029	Ring, Klip
10	154432	Link, Drag
11	10040600	Washer, Lock
13	167118	Spacer Axle
15	73901000	Nut, Lock, Flange 5/8-11 UNC
17	156546	Shaft Assembly, Steering
18	57079	Washer, Thrust .515 x .750 x .033
19	160395	Support, Shaft
22	165857	Screw Hex Wshhd Torx
23	165851	Pittman Shaft Assembly
25	154406	Bracket, Steering
27	136874	Gear, Sector
29	17490612	Screw, Thd., Roll. 3/8-16 x 3/4
32	137347	Rod, Tie
36	155099	Bushing, Steering
37	152927	Screw TT #10-32 x 5 x 3/8 Flange
38	133742	Cap Wheel Steering
39	19133808	Washer 13/32 x 2-3/8 x 8 Gauge
40	7810H	Nut Lock Center 3/8-24 Unf
41	100711L	Adaptor, Steering Wheel
42	145054	Boot, Steering Dash P/L Mtl
43	121749X	Washer 25/32 x 1-1/4 x 16 Gauge
44	153720	Extension Steering Non-Adjust
46	121232X	Cap, Spindle
47	6855M	Fitting, Grease
51	73800500	Nut Lock Hx W/Ins 5/16-18 UNC
54	74780520	Bolt Fin Hex 5/16-18 UNC x 1-1/4
62	167902	Kit, Steering Assembly, Service
63	74780616	Bolt Fin Hex 3/8-16 unc. x 1 Gr. 5
65	154780	Spacer Axle
66	154404	Bearing Arm Pittman
67	74781044	Bolt Fin Hex 5/8-11unc x 2-3/4
68	154429	Brace Axle
74	109850X	Joint Asm Ball Rh Service
75	109851X	Joint Asm Ball Lh Service
76	137156	Rod Tie Ball J Adj. VGT Service
77	73700600	Nut Hex Jam 3/8-24 Unf Lh
78	73360600	Nut Hex Jam 3/8-24
79	19132012	Washer 13/32 x 1-1/4 x 12 Ga
80	74950612	Bolt Hex Nylon 3/8-16 x 3/4

NOTE: All component dimensions given in U.S. inches.
1 inch = 25.4 mm.

REPAIR PARTS

TRACTOR- -MODEL NO. Y1292RBA

SEAT ASSEMBLY



KEY NO.	PART NO.	DESCRIPTION
1	127426X	Seat
2	140551	Bracket Pnt Pivot Seat (blk)
5	145006	Clip Push In Hinged
7	124181X	Spring Seat Cprsn 2 250 Blk Zi
8	17490616	Screw Thdrol 3/8-16 X 1 Ty-tt
9	19131614	Washer 13/32 X 1 X 14 Ga
10	155925	Pan Pnt Seat (blk)
12	121246X	Bracket Pnt Mounting Switch
13	121248X	Bushing Snap Blk Nyl 50 Id
14	72050412	Bolt Rdhd Sht Nk 1/4-20x1-1/2
15	134300	Spacer Split .28 X .96 Zinc

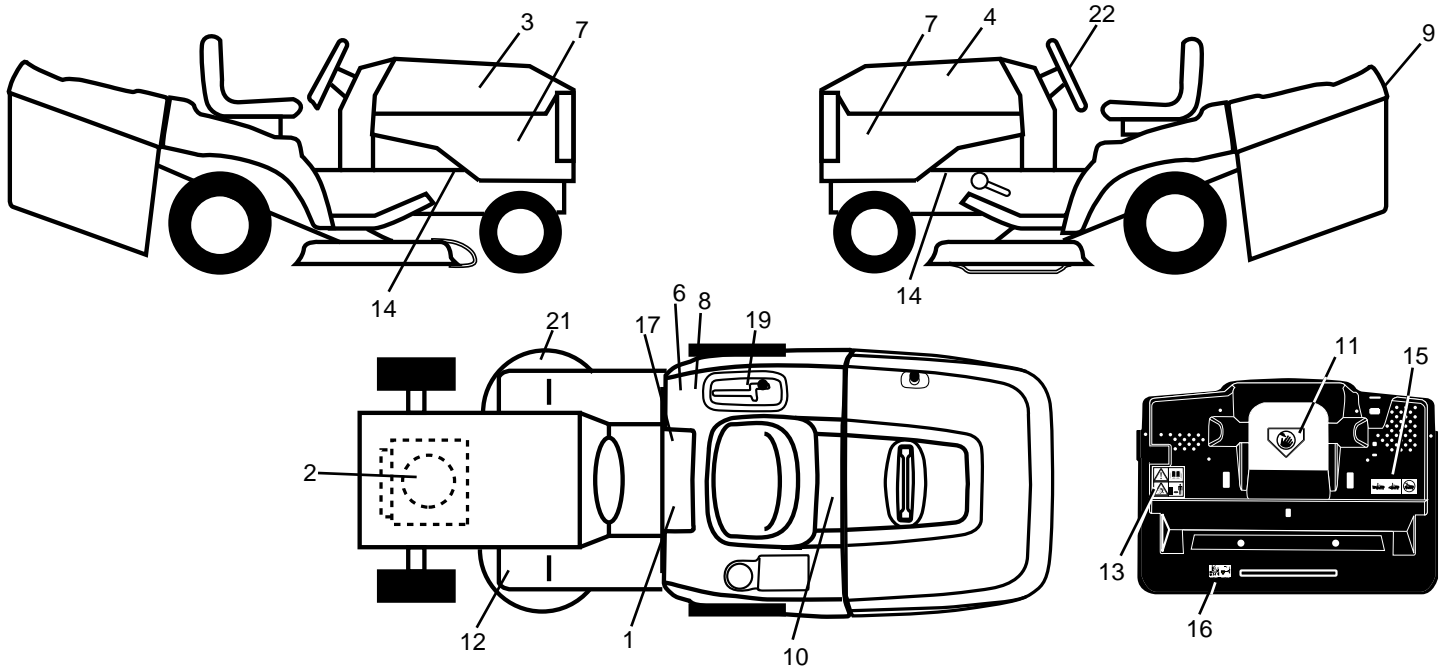
KEY NO.	PART NO.	DESCRIPTION
16	121250X	Spring Cprsn
17	123976X	Nut Lock 1/4 Lge Flg Gr 5 Zinc
21	153236	Bolt Shoulder 5/16-18 Unc-2A
22	73800500	Nut Hex Lock w/Ins 5/16-18
23	74780814	Bolt Fin Hex 3/8-16 x 7/8 Gr 5
24	19171912	Washer 17/32 X 1-3/16 X 12 Ga.
25	127018X	Bolt Shoulder 5/16-18 X 62
26	10040800	Washer Lock Hvy Hlcl Spr 1/2

NOTE: All component dimensions given in U.S. inches.
1 inch = 25.4 mm

REPAIR PARTS

TRACTOR- -MODEL NO. Y1292RBA

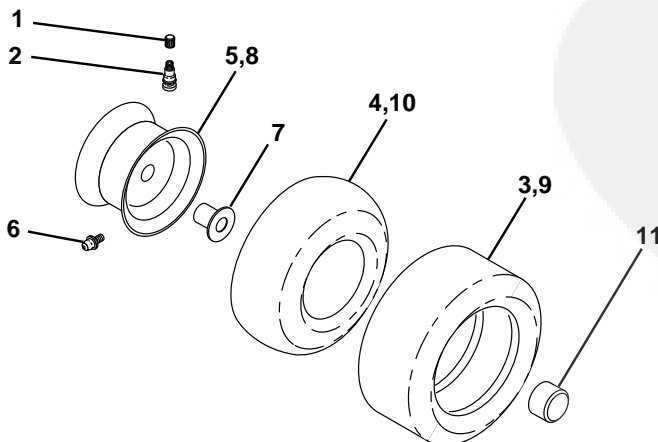
DECALS



KEY NO.	PART NO.	DESCRIPTION
1	145498	Decal Read Owner's Manual Sym
2	168408	Decal Hp Engine
3	143335	Decal Hood Rh
4	143336	Decal Hood Lh
6	126187X	Decal 100 DBA
7	167454	Decal Panel Side Logo
8	145437	Decal Europe Stand Ce
9	123689X	Decal Fender Logo
10	145005	Decal Bat Dan/Poi P/L Sym Wp
11	145494	Decal Mower Cut Finger Symbol
12	159737	Decal Brake/Clutch Symbol Lt
13	166959	Decal Warn Back Plate CRD
14	159736	Decal Chassis Hot Muffler

KEY NO.	PART NO.	DESCRIPTION
15	166961	Decal Oper Bag Presence CRD
16	162598	Decal Drawbar Load Limit
17	140837	Decal Saddle Brake Parking
19	166963	Decal Console CRD White
21	166286	Decal Deck Sch 92 CRD
22	146987	Decal, Strg Whl
—	138311	Decal Lift Handle
—	133671	Pad Footrest
—	168000	Manual Operator's (Euro)
—	168001	Manual Parts

WHEELS & TIRES



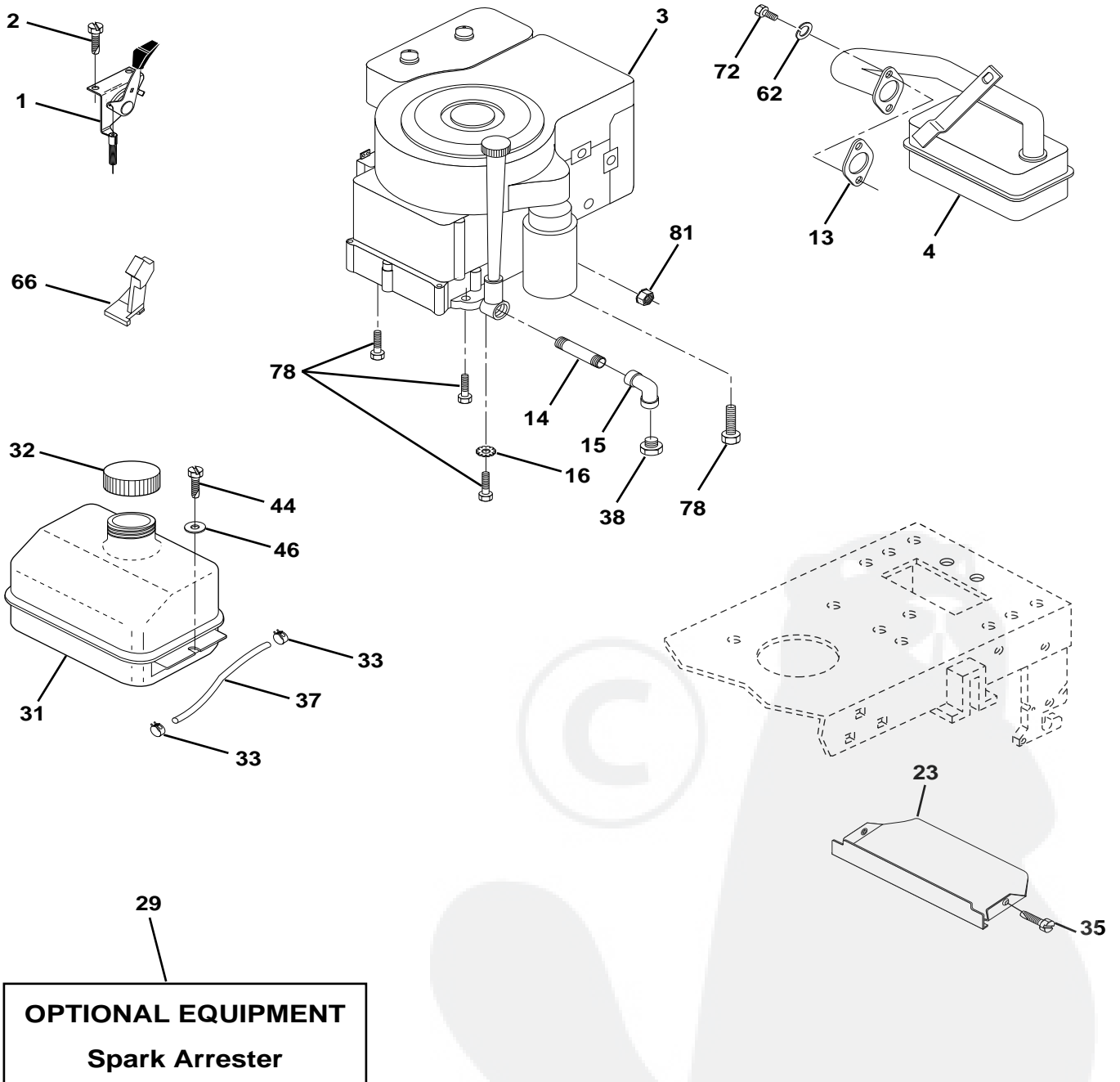
KEY NO.	PART NO.	DESCRIPTION
1	59192	Cap Value Tire
2	65139	Stem Value
3	106222X	Tire F Ts 15 X 6 0 - 6 Service
4	59904	Tube Inner Front #35060
5	106732X417	Rim Asm 6"front Silver Service
6	278H	Fitting Grease
7	9040H	Bearing Flange
8	106108X417	Rim Asm 8" rear Silver Service
9	124635X	Tire R Ts 18 x 8.5-8 Service
10	7152J	Tube Rear 9 5 X 8 Service
11	104757X	Cap Axle Blk 1 50 X 1 00
--	144334	Sealant, Tire (10 oz. tube)

NOTE: All component dimensions given in U.S. inches
1 inch = 25.4 mm

REPAIR PARTS

TRACTOR- -MODEL NO. Y1292RBA

ENGINE



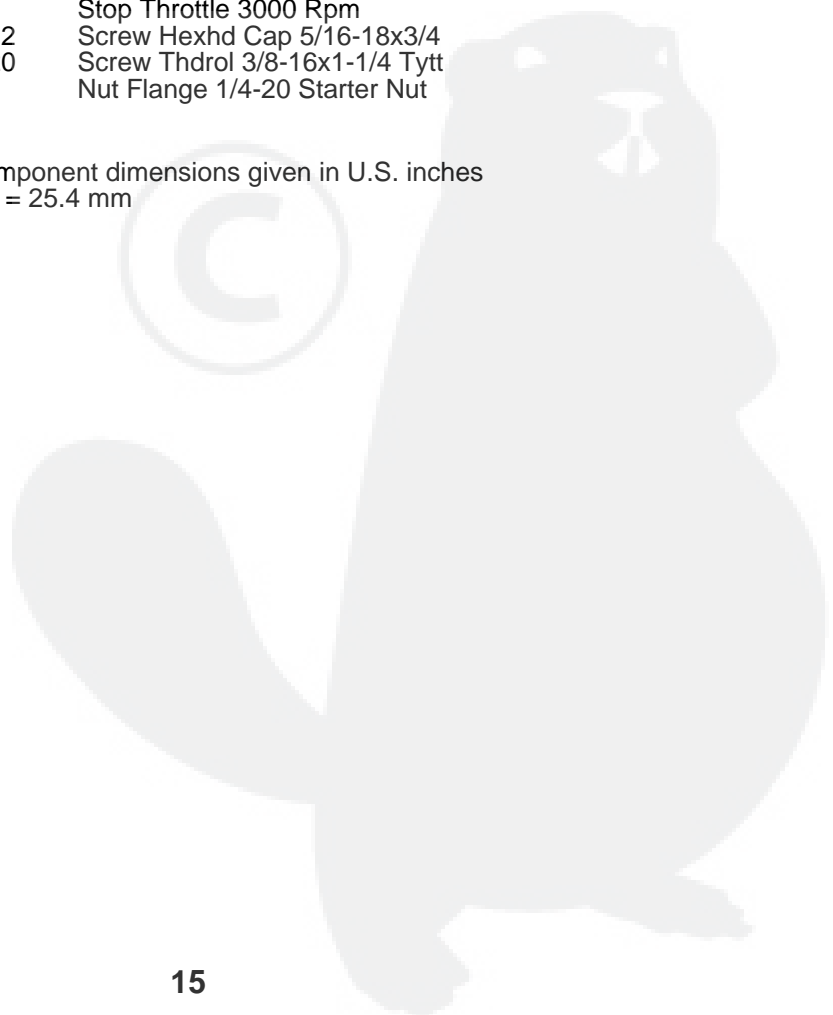
REPAIR PARTS

TRACTOR- -MODEL NO. Y1292RBA

ENGINE

KEY NO.	PART NO.	DESCRIPTION
1	141359	Control Throt /Ch Lh
2	17720410	Screw Hex Thd Cut 1/4-20x5/8 T
3	-----	Engine Briggs Model 287707 Order Parts from Engine Manufacturer
4	137352	Muffler Exhaust B&S Lt
13	165291	Gasket 1 313 Id Tin Plated
14	13280324	Nipple Pipe 3/8 Npt X 3"
15	13200300	Elbow Std 90 Degree 3/8-18 Npt
16	11050600	Washer Lock Ext Tooth 3/8
23	159880	Shield Browning/Debris Guard
29	137180	Arrestor Spark
31	109202X	Tank Fuel 1.25 Fr
32	140527	Cap Asm Fule Top Vent N/Lany
33	123487X	Clamp Hose Blk
35	17490512	Screw, Thdrol 5/16-18 x 3/4 Tyt
37	137040	Line Fuel 20"
38	-----	Plug Oil Drain (Order From Engine Manufacturer)
44	17490412	Screw Hexwsh Thdrol 1/4-20x3/4
46	19091416	Washer 9/32 X 7/8 X 16ga
62	10040500	Washer Lock Hvy Hlcl Spr 5/16
66	127951	Stop Throttle 3000 Rpm
72	71070512	Screw Hexhd Cap 5/16-18x3/4
78	17490620	Screw Thdrol 3/8-16x1-1/4 Tytt
81	128861	Nut Flange 1/4-20 Starter Nut

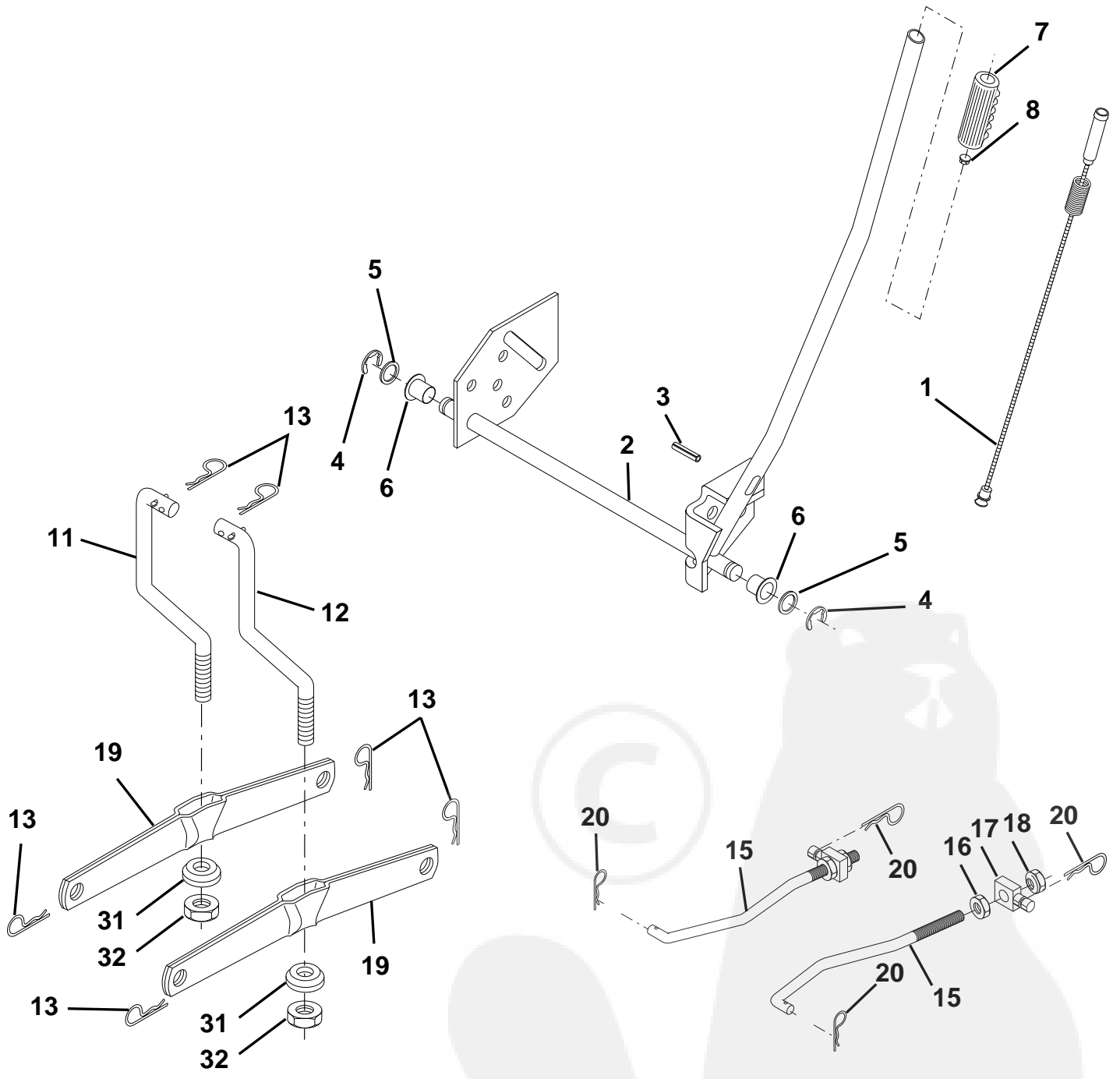
NOTE: All component dimensions given in U.S. inches
1 inch = 25.4 mm



REPAIR PARTS

TRACTOR- -MODEL NO. Y1292RBA

MOWER LIFT



REPAIR PARTS

TRACTOR- -MODEL NO. Y1292RBA

MOWER LIFT

KEY NO.	PART NO.	DESCRIPTION
1	159460	Washer Asm Inner Spring W/ Plunger
2	159471	Shaft Asm. Lift
3	105767X	Pin Groove
4	12000002	E Ring #5133-62
5	19211621	Washer 21/32 x 1 x 21 Ga.
6	120183X	Bearing Nylon
7	109413X	Grip Handle
8	122365X	Button Plunger Red
11	165829	Link Asm Lift L.H.
12	165831	Link Asm Lift R.H.
13	4939M	Retainer Spring
15	127218	Link Front
16	73350800	Nut Jam Hex 1/2-13 Unc
17	130171	Trunnion Blk Zinc
18	73680800	Nut Crownlock 1/2-13 Unc
19	139868	Arm Suspension Mower
20	163552	Retainer Spring
31	140302	Bearing, Pvt. Lift. Spherical
32	73540600	Nut Crownlock 3/8-24

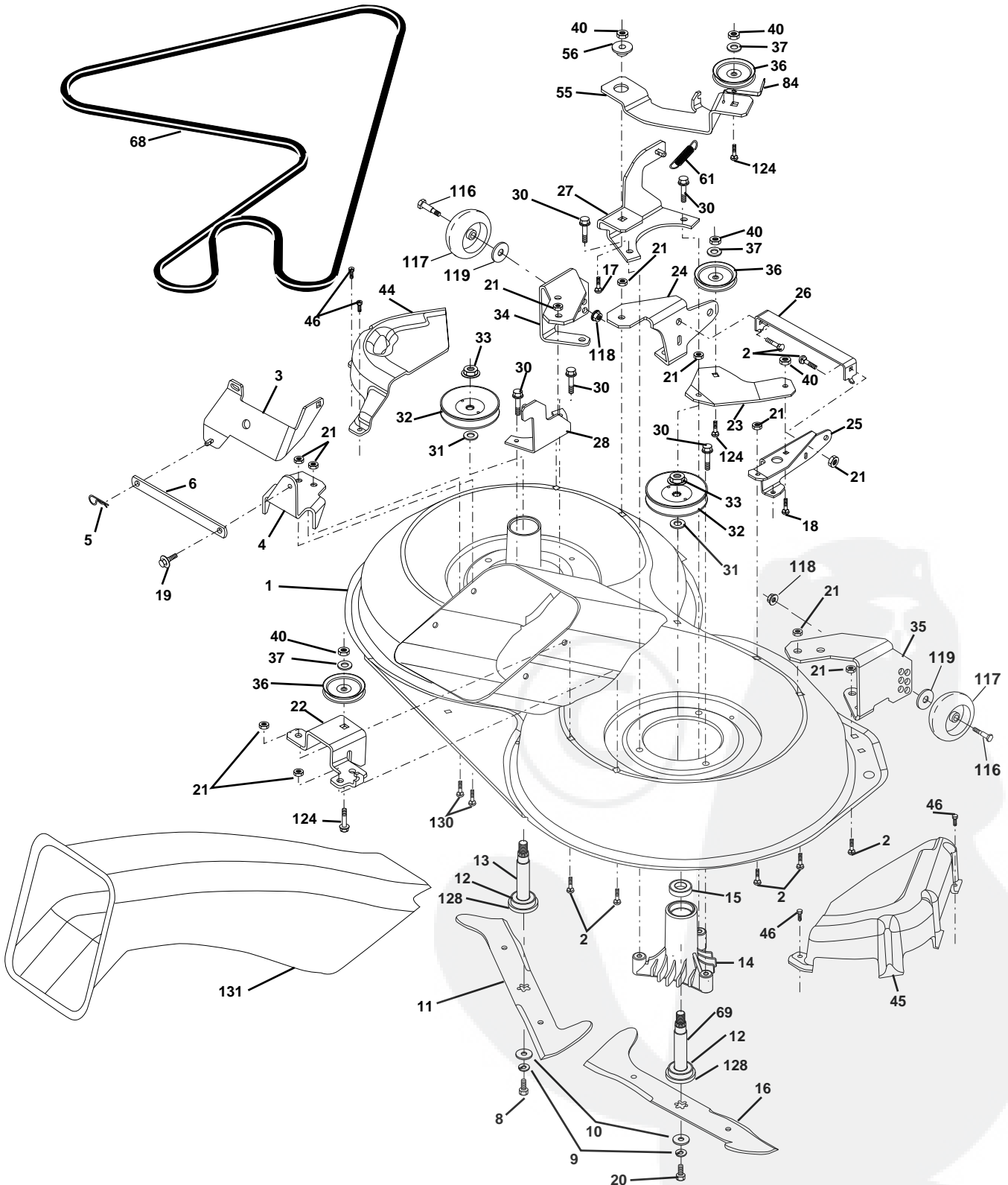
NOTE: All component dimensions given in U.S. inches
1 inch = 25.4 mm



REPAIR PARTS

TRACTOR- -MODEL NO. Y1292RBA

MOWER



REPAIR PARTS

TRACTOR- -MODEL NO. Y1292RBA

MOWER

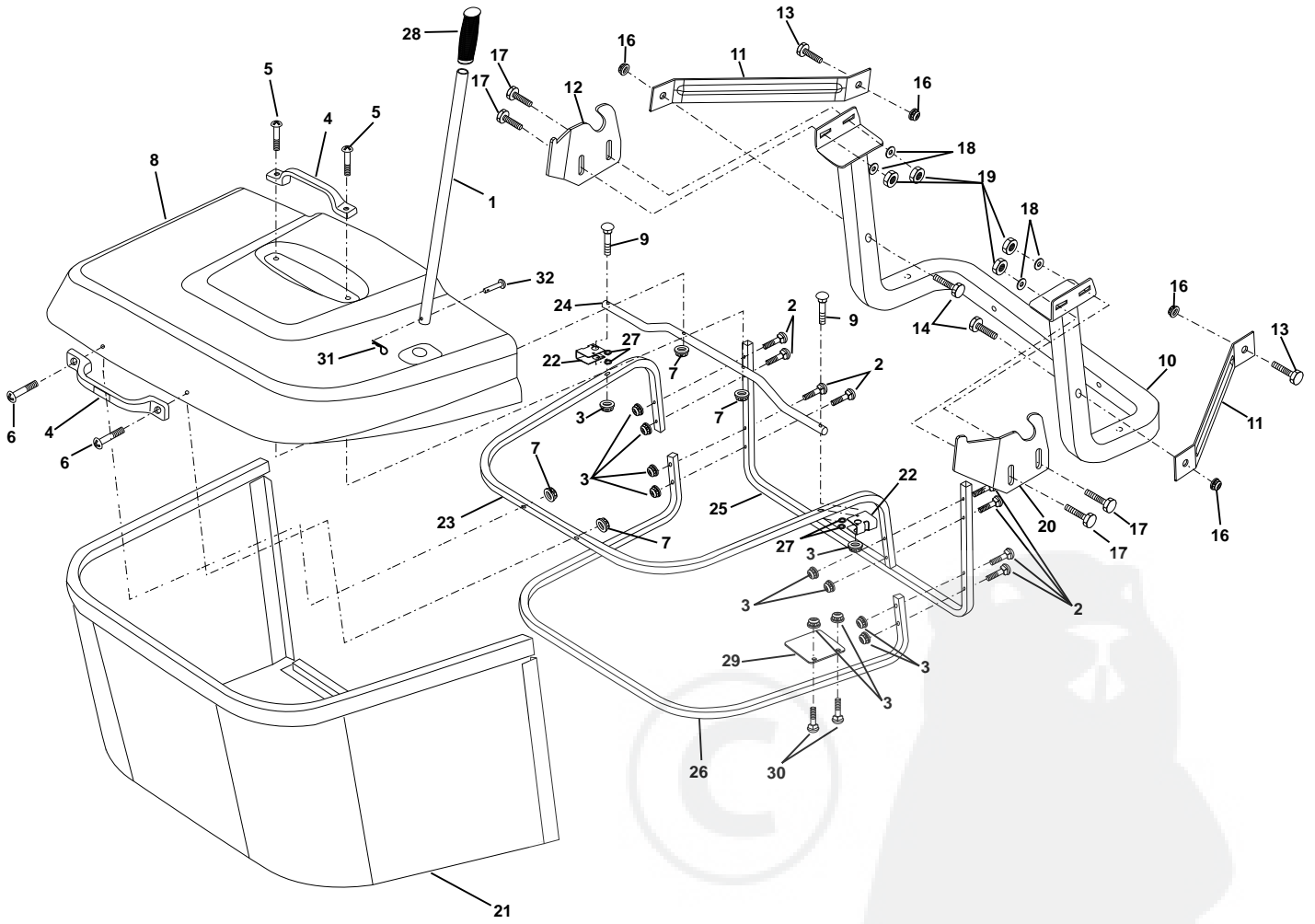
KEY NO.	PART NO.	DESCRIPTION	KEY NO.	PART NO.	DESCRIPTION
1	165552	Housing Asm. Mower 92 CRD	33	137266	Nut Flg Top Lock Cntr B 9/16
2	72140506	Bolt Rdhd Sqnk 5/16-18 Unc x 3/4	34	165239	Bracket Gauge Wheel Lf 92 CRD
3	165569	Bracket Asm. S-Bar Chass 92 CRD	35	165238	Bracket Gauge Wheel Rf 92 CRD
4	165558	Bracket Bar Sway Deck 92 CRD	36	146763	Pulley Idler V-Groove Dim 4.25
5	4939M	Retainer Spring	37	19131316	Washer 11/32 x 13/16 x 16 Ga
6	165557	Bar Sway 92 CRD	40	73680600	Nut Crownlock 3/8-16 Unc
8	850857	Bolt 3/8-24 x 1.25 Gr8 Patched	44	165724	Cover Mandrel Lh 92 CRD
9	10030600	Washer Lock Hvy 3/8 Unplated	45	165556	Cover Mandrel Rh 92 CRD
10	140296	Washer Hard Blade Mower vented	46	137729	Screw Thd Roll 1/4-20 x 5/8
11	165560	Blade 3-1 Lh 92 CRD	55	165445	Arm Idler 92 CRD
12	129895	Bearing Ball #6204 (Mandrel)	56	122052X	Spacer Retainer PM Mower
13	137645	Shaft Asm. W/Lower Bearing	61	165945	Spring Tension Belt
14	128774	Housing Mandrel Vented (Machd)	68	165555	Hex-Belt 92 Mower 105AA
15	110485X	Bearing Ball Mandrel	69	165482	Shaft Asm W/Lwr Brg Rh Thd CRD
16	165561	Blade 3-1 Rh 92 CRD	84	156085	Keeper Belt Idler
17	72140610	Bolt Carriage 3/8-16 x 1-1/4	116	137644	Bolt Shoulder
18	72110608	Bolt Rdhd Sqnk 3/8-16 x 1 Gr5	117	133957	Wheel Gage Donut Wide
19	132827	Bolt Shoulder 5/16-18 Thd Form	118	73930600	Nut Centerlock 3/8-16 Unc
20	165484	Bolt 3/8-24 x 1.25 Gr8 Ptch Lhthd	119	19121414	Washer 3/8 x 7/8 x 14 Ga.
21	73680500	Nut Crown Lock 5/16-18	124	72110612	Bolt Carr Sh 3/8-16 x 1-1/2 Gr5
22	165243	Bracket Idler Sprt RR 92 CRD	128	153390	Washer Felt
23	165446	Bracket Idler Sprt RF 92 CRD	130	72110506	Bolt Rdhdsqnk 5/16-18 Unc x 3/4
24	165242	Bracket Suspension LF 92 CRD	131	165661	Chute Bagger CRD 92cm
25	165244	Bracket Suspension RF 92 CRD	--	130794	Mandrel Asm Service
26	165237	Brace Support Susp Frt CRD	--	165579	Mandrel Asm CRD Lh Threads SVC
27	165568	Bracket Asm. Susp RR 92 CRD	--	165578	Deck Mower Complete
28	165567	Bracket Asm. Susp LR 92 CRD			
30	157722	Screw Thd Rolling Washer Head			
31	129963	Washer Spacer Mower Vented			
32	153531	Mandrel Pulleys 36 & 46			

NOTE: All component dimensions given in U.S. inches
1 inch = 25.4 mm

REPAIR PARTS

TRACTOR- -MODEL NO. Y1292RBA

BAGGER



REPAIR PARTS

TRACTOR- -MODEL NO. Y1292RBA

BAGGER

KEY NO.	PART NO.	DESCRIPTION
1	165249	Tube Handle Bagger CRD
2	72140416	Bolt Carriage 1/4-20 x 2.0 Gr.5
3	123976X	Nut Lock 1/4 Lge Flg Gr. 5 Zinc
4	165693	Handle Grab Plastic Black
5	74981024	Screw Pan Head #10-24 x 1.50 Blk
6	74981032	Screw Pan Hd
7	59931	Nut Lock #10-24 Flg Gr.5 Zinc
8	165715X505	Cover Bagger Plastic CRD
9	72140418	Bolt Carriage 1/4-20 x 2.25d x Gr.5
10	165716	Support AsmWldmnt Bagger CRD
11	165719	Bracket Support Upper Bag CRD
12	165735	Bracket Pivot Bagger Lh CRD
13	72110606	Bolt Rdhd Sht Sqnk 3/8-16 x 3/4
14	74520640	Bolt Hex 3/8-16 x 2-1/2 Gr.5
16	73900600	Nut Lock Flg 3/8-16 Unc
17	72140506	Bolt Rdhd Sht Sqnk 5/16 -18 Unc x 3/4
18	19112016	Washer 11/32 x 1.25 x 16 Ga.
19	73800500	Nut Lock Hex W/Ins 5/16-18 Unc PI
20	165736	Bracket Pivot Bagger RH CRD
21	165780	Bag Asm CRD
22	165781	Bracket Side Bagger CRD
23	165782	Tube Upper Bagger CRD
24	165783	Tube Pivot Bagger CRD
25	165784	Tube Front Bagger CRD
26	165785	Tube Lower Bagger CRD
27	165786	Grommet Extruded Cut1/8
28	165787	Grip Handle Black
29	165839	Plate Stop Bagger handle CRD
30	72140410	Bolt Carriage 1/4-20 x 1 Gr.5
31	4497H	Retainer Spring 1" Zinc/Cad
32	126875X	Rivet Rd Hd Drilled 3/8 Dia

NOTE: All component dimensions given in U.S. inches
1 inch = 25.4 mm

LIMITED WARRANTY

The Manufacturer warrants to the original consumer purchaser that this product as manufactured is free from defects in materials and workmanship. For a period of one (1) year from date of purchase by the original consumer purchaser, we will repair or replace, at our option, without charge for parts or labor incurred in replacing parts, any part which we find to be defective due to materials or workmanship. This Warranty is subject to the following limitations and exclusions.

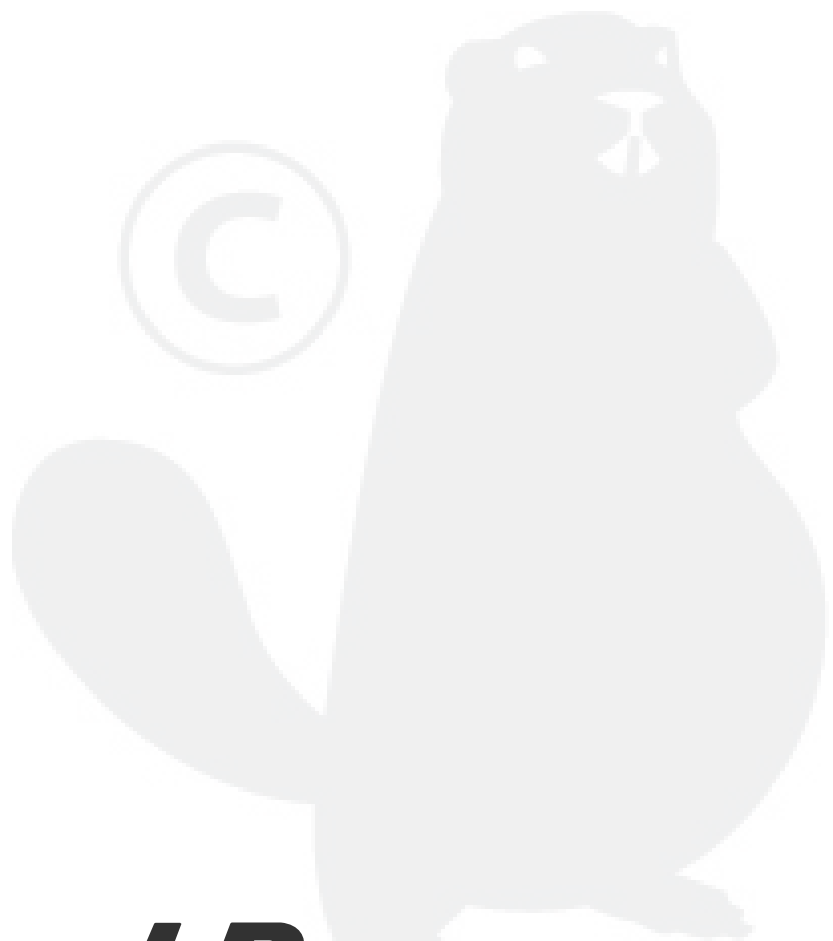
1. This warranty does not apply to the engine. Please contact your nearest dealer where they will send the machine to the engine manufacturer.
2. Transportation charges for the movement of any power equipment unit or attachment are the responsibility of the purchaser. Transportation charges for any parts submitted for replacement under this warranty must be paid by the purchaser unless such return is requested by your dealer.
3. Battery Warranty: On products equipped with a Battery, we will replace, without charge to you, any battery which we find to be defective in manufacture, during the first ninety (90) days of ownership. After ninety (90) days, we will exchange the Battery, charging you 1/12 of the price of a new Battery for each full month from the date of the original sale. Battery must be maintained in accordance with the instructions furnished.
4. The Warranty period for any products used for rental or commercial purposes is limited to 90 days from the date of original purchase.
5. This Warranty applies only to products which have been properly assembled, adjusted, operated, and maintained in accordance with the instructions furnished. This Warranty does not apply to any product which has been subjected to alteration, misuse, abuse, improper assembly or installation, delivery damage, or to normal wear of the product.
6. Exclusions: Excluded from this Warranty are belts, blades, blade adapters, normal wear, normal adjustments, standard hardware and normal maintenance.
7. In case of any problem within the boundaries of this warranty, contact the nearest department store, indicate the model number, serial number and the date of purchase of your machine. This warranty does not apply to accidental damages. All implicit warranties are limited to the same time frames. Or contact:

E.M. Services
54 Rue Lambrechts
92400 Courbevoie
France
Telephone: (1) 46678078
Fax: (1) 46678095

THIS WARRANTY DOES NOT APPLY TO INCIDENTAL OR CONSEQUENTIAL DAMAGES. ANY IMPLIED WARRANTIES ARE LIMITED TO THE SAME TIME PERIODS STATED HEREIN.

SERVICE NOTES





Yard Pro