



REPAIR PARTS MANUAL
MODEL NO. Y155H92RBA
Lawn Tractor

Yard Pro

HOW TO USE THIS MANUAL

This manual is designed to provide the customer with a means to identify the parts on his/her tractor when ordering repair parts. The illustrations may or may not represent the actual assemblies; therefore, it is not recommended to use this manual as a guide to assemble or disassemble the tractor. Some hardware and parts are drawn larger in order to more readily identify them.

Each tractor has its own model number.

The model number for your tractor can be found on the fender under the seat.

When ordering parts, always give the following information:

- Product - "Tractor"
- Model Number - "Y155H92RBA"
- Part Number
- Part Description

TABLE OF CONTENTS

| | |
|------------------|-------|
| WARRANTY | 3 |
| ELECTRICAL | 4-5 |
| CHASSIS | 6-7 |
| DRIVE | 8-9 |
| STEERING | 10-11 |
| SEAT | 12 |
| DECALS | 13 |
| ENGINE | 14-15 |
| MOWER LIFT | 16-17 |
| MOWER DECK | 18-19 |
| BAGGER | 20-21 |

LIMITED WARRANTY

The Manufacturer warrants to the original consumer purchaser that this product as manufactured is free from defects in materials and workmanship. For a period of one (1) year from date of purchase by the original consumer purchaser, we will repair or replace, at our option, without charge for parts or labor incurred in replacing parts, any part which we find to be defective due to materials or workmanship. This Warranty is subject to the following limitations and exclusions.

1. This warranty does not apply to the engine. Please contact your nearest dealer where they will send the machine to the engine manufacturer.
2. Transportation charges for the movement of any power equipment unit or attachment are the responsibility of the purchaser. Transportation charges for any parts submitted for replacement under this warranty must be paid by the purchaser unless such return is requested by your dealer.
3. **Battery Warranty:** On products equipped with a Battery, we will replace, without charge to you, any battery which we find to be defective in manufacture, during the first ninety (90) days of ownership. After ninety (90) days, we will exchange the Battery, charging you 1/12 of the price of a new Battery for each full month from the date of the original sale. Battery must be maintained in accordance with the instructions furnished.
4. The Warranty period for any products used for rental or commercial purposes is limited to 90 days from the date of original purchase.
5. This Warranty applies only to products which have been properly assembled, adjusted, operated, and maintained in accordance with the instructions furnished. This Warranty does not apply to any product which has been subjected to alteration, misuse, abuse, improper assembly or installation, delivery damage, or to normal wear of the product.
6. **Exclusions:** Excluded from this Warranty are belts, blades, blade adapters, normal wear, normal adjustments, standard hardware and normal maintenance.
7. In case of any problem within the boundaries of this warranty, contact the nearest department store, indicate the model number, serial number and the date of purchase of your machine. This warranty does not apply to accidental damages. All implicit warranties are limited to the same time frames. Or contact:

E.M. Services
54 Rue Lambrechts
92400 Courbevoie
France
Telephone: (1) 46678078
Fax: (1) 46678095

THIS WARRANTY DOES NOT APPLY TO INCIDENTAL OR CONSEQUENTIAL DAMAGES. ANY IMPLIED WARRANTIES ARE LIMITED TO THE SAME TIME PERIODS STATED HEREIN.

REPAIR PARTS

TRACTOR- -MODEL NO. Y155H92RBA

ELECTRICAL

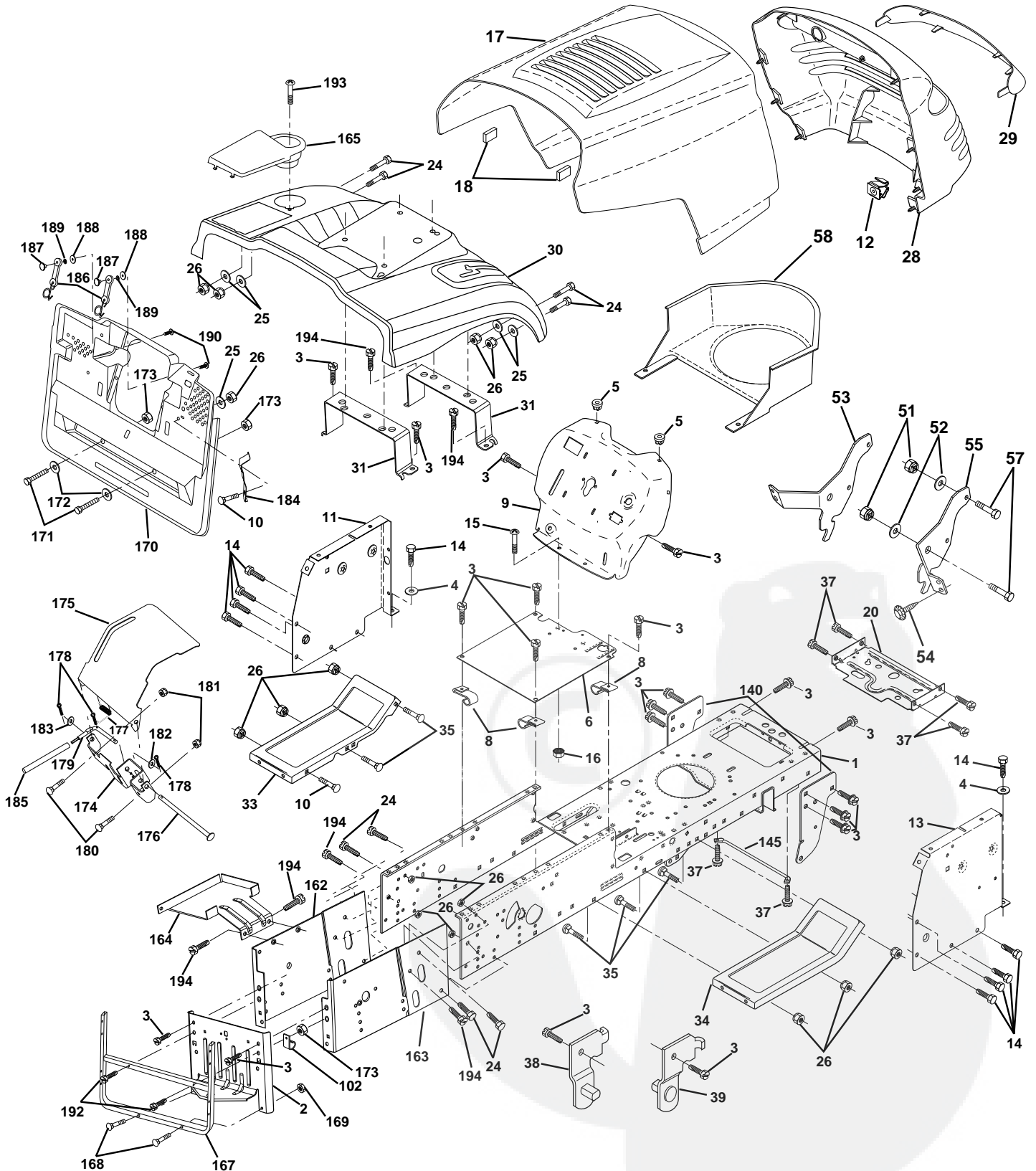
| KEY NO. | PART NO. | DESCRIPTION |
|---------|----------|-----------------------------------|
| 1 | 144925 | Battery 12 Volt 25 AMP Wet |
| 2 | 74760412 | Bolt Hex Hd 1/4-20 Unc X 3/4 |
| 16 | 153664 | Switch Interlock Push-In |
| 19 | 10090400 | Washer Lock 1/4 |
| 20 | 73350400 | Nut Jam Hex 1/4-20 Unc |
| 21 | 166181 | Harness Asm Light W/4152J |
| 22 | 4152J | Bulb Light #1156 |
| 24 | 4799J | Cable Starter 6Ga 11" Red |
| 25 | 165987 | Cable Battery Crd 56" Red |
| 26 | 166180 | Fuse 15 Amp |
| 27 | 73510400 | Nut Keps Hex 1/4-20 Unc |
| 28 | 127725X | Cable Ground 6Ga 18" Black |
| 29 | 160784 | Switch Plunger Normal Op Olive |
| 30 | 140301 | Switch Ignition 4Pos W/Lights |
| 31 | 124211X | Nut Ignition #125 |
| 32 | 141226 | Cover Switch Ignition #121 |
| 33 | 122147X | Key Ign Molded Indak |
| 40 | 166158 | Harness Ign Crd Elect |
| 41 | 71110408 | Bolt Flk Fin Hex 1/4-20 Unc X 1/2 |
| 42 | 131563 | Cover Terminal Red |
| 43 | 145673 | Solenoid |
| 44 | 73640400 | Nut Keps Blk Hex 1/4-20 Unc |
| 48 | 140844 | Adaptor Ammeter Rectangular |
| 50 | 154963 | Switch PTO 3PDT Red Delta 96 |
| 51 | 140405 | Ring Retainer PTO |
| 52 | 141940 | Protection Wire Loop |
| 58 | 165943 | Buzzer Crd |
| 59 | 166299 | Switch FBI CRD |
| 65 | 17211008 | Screw Slftp #10-16 x 1/2 Ty-Ab |
| 66 | 17490608 | Screw Thdrol 3/8-16 x 1/2 Ty-Tt |
| 70 | 166668 | Harness Engine B&S Reg W/AFTS0 |
| 80 | 146685 | Harness Clutch EVX |
| 81 | 109748X | Relay Asm |

NOTE: All component dimensions given in U.S. inches.
1 inch = 25.4 mm.

REPAIR PARTS

TRACTOR- -MODEL NO. Y155H92RBA

CHASSIS AND ENCLOSURES



REPAIR PARTS

TRACTOR- -MODEL NO. Y155H92RBA

CHASSIS AND ENCLOSURES

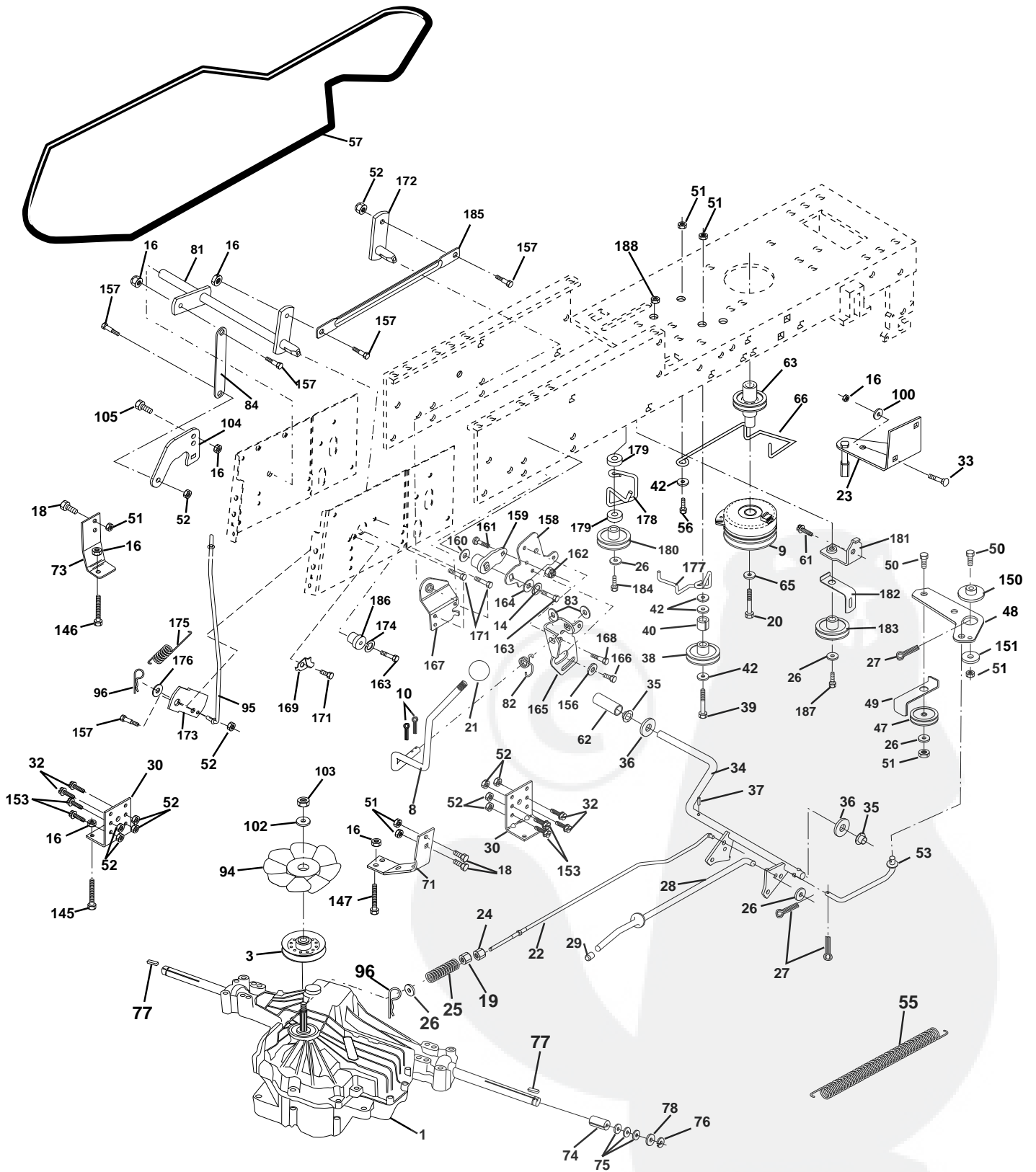
| KEY NO. | PART NO. | DESCRIPTION | KEY NO. | PART NO. | DESCRIPTION |
|---------|------------|--|---------|------------|-----------------------------------|
| 1 | 165480 | Chassis Assembly | 57 | 74780412 | Bolt, Fin Hex 1/4-20 UNC x .75 |
| 2 | 165606 | Drawbar | 58 | 150127 | Duct Air Engine PI/Lt |
| 3 | 17490612 | Screw, Thd. Roll. 3/8-16 x 3/4 | 125 | 74180412 | Screw Mach Cr. 1/4-20 x 3/4 |
| 4 | 19131216 | Washer 13/32 x 3/4 x 16 Gauge | 140 | 158418 | Bracket Front Suspension |
| 5 | 155272 | Bumper Hood/Dash | 145 | 156524 | Rod Pivot Chassis/Hood |
| 6 | 155923 | Saddle | 148 | 17490620 | Screw Thdrol 3/8-16 x 1-1/4 TY-TT |
| 8 | 126471X | Clip Insulator 13/32 Mtg. Hole | 162 | 165672 | Bracket Exten Chassis Lh CRD |
| 9 | 147631X011 | Dash | 163 | 165673 | Bracket Exten Chassis Rh CRD |
| 10 | 72140608 | Bolt, Carriage 3/8-16 x 3/4 | 164 | 165605 | Support Battery CRD |
| 11 | 155927 | Panel, Dash, L.H. | 165 | 165742X428 | Cover Battery CRD Lt |
| 12 | 145660 | Clip, Tinnerman Grille P/L | 167 | 165779 | Support Asm. Backplate WLDMNT |
| 13 | 155934X010 | Panel, Asm. Dash R.H. | 168 | 72050412 | Bolt, RDHD SHT NK 1/4-20 x 1-1/2 |
| 14 | 17490608 | Screw Thdrol 3/8-16 x 1/2 | 169 | 123976X | Nut, Lock 1/4 LGE FLG Gr. 5 Zinc |
| 15 | 74180512 | Screw, Machine, Truss Head 5/16-18 UNC x 3/4 | 170 | 165607 | Cover, Backplate Plastic Black |
| 16 | 73510500 | Nut | 171 | 74520640 | Bolt Hex 3/8-16 x 2-1/2 Gr.5 |
| 17 | 159639X505 | Hood Assembly | 172 | 19132016 | Washer 13/32 x 1-1/4 x 16 Ga. |
| 18 | 126938X | Bumper Hood | 173 | 73510600 | Nut, Keps Hex 3/8-16 UNC |
| 20 | 156437 | Plate Mtg. Battery/Fuel Tank | 174 | 165939 | Bracket Switch FBI CRD |
| 24 | 74780616 | Bolt | 175 | 166212 | Guard Door Rear CRD |
| 25 | 19131312 | Washer 13/32 x 13/16 x 12 Gauge | 176 | 128600 | Pin Hinge Pivot |
| 26 | 73800600 | Nut | 177 | 132796 | Spring Bagger Top LH Black |
| 28 | 157373 | Grille PL | 178 | 76020312 | Pin Cotter 3/32 x 3/4 Cad Zinc |
| 29 | 140273X599 | Lens, Grille | 179 | 165942 | Rod Pivot FBI CRD |
| 30 | 165713X505 | Fender | 180 | 74760516 | Bolt Hex HD 5/16-18 UNC x 1 |
| 31 | 165156 | Bracket, Fender Support | 181 | 73680500 | Nut Crownlock 5/16-18 |
| 33 | 145244X505 | Footrest, L.H. | 182 | 138200 | Washer .385 x .625 x 11 Ga. |
| 34 | 145243X505 | Footrest, R.H. | 183 | 19131316 | Washer 13/32 x 13/16 x 16 Ga. |
| 35 | 72110606 | Bolt | 184 | 166139 | Bracket Actuator Bagger CRD |
| 37 | 17490508 | Screw Thdrol 5/16-18 x 1/2 TYT | 185 | 165940 | Tube Lever Switch FBI CRD |
| 38 | 139886 | Pivot Bracket Assembly, L.H. | 186 | 160793 | Latch Asm Mulch/Bagger |
| 39 | 139887 | Pivot Bracket Assembly, R.H. | 187 | 2029J | Nut Weld .327/.304 #10-24 |
| 51 | 73800400 | Nut Lock w/Insert 1/4-20 UNC | 188 | 19061216 | Washer #10 |
| 52 | 19091416 | Washer 9/32 x 7/8 x 16 Ga. | 189 | 10071000 | Washer Lock #10 |
| 53 | 144697 | Bracket, Grille LH | 190 | 71161010 | Screw Truss Head Phil 10-24 x 5/8 |
| 54 | 161464 | Screw Hex WSHD 8-18 x 7/8 | -- | 5479J | Plug, Button |
| 55 | 144696 | Bracket, Grille RH | | | |

NOTE: All component dimensions given in U.S. inches.
1 inch = 25.4 mm.

REPAIR PARTS

TRACTOR- -MODEL NO. Y155H92RBA

DRIVE



REPAIR PARTS

TRACTOR- -MODEL NO. Y155H92RBA

DRIVE

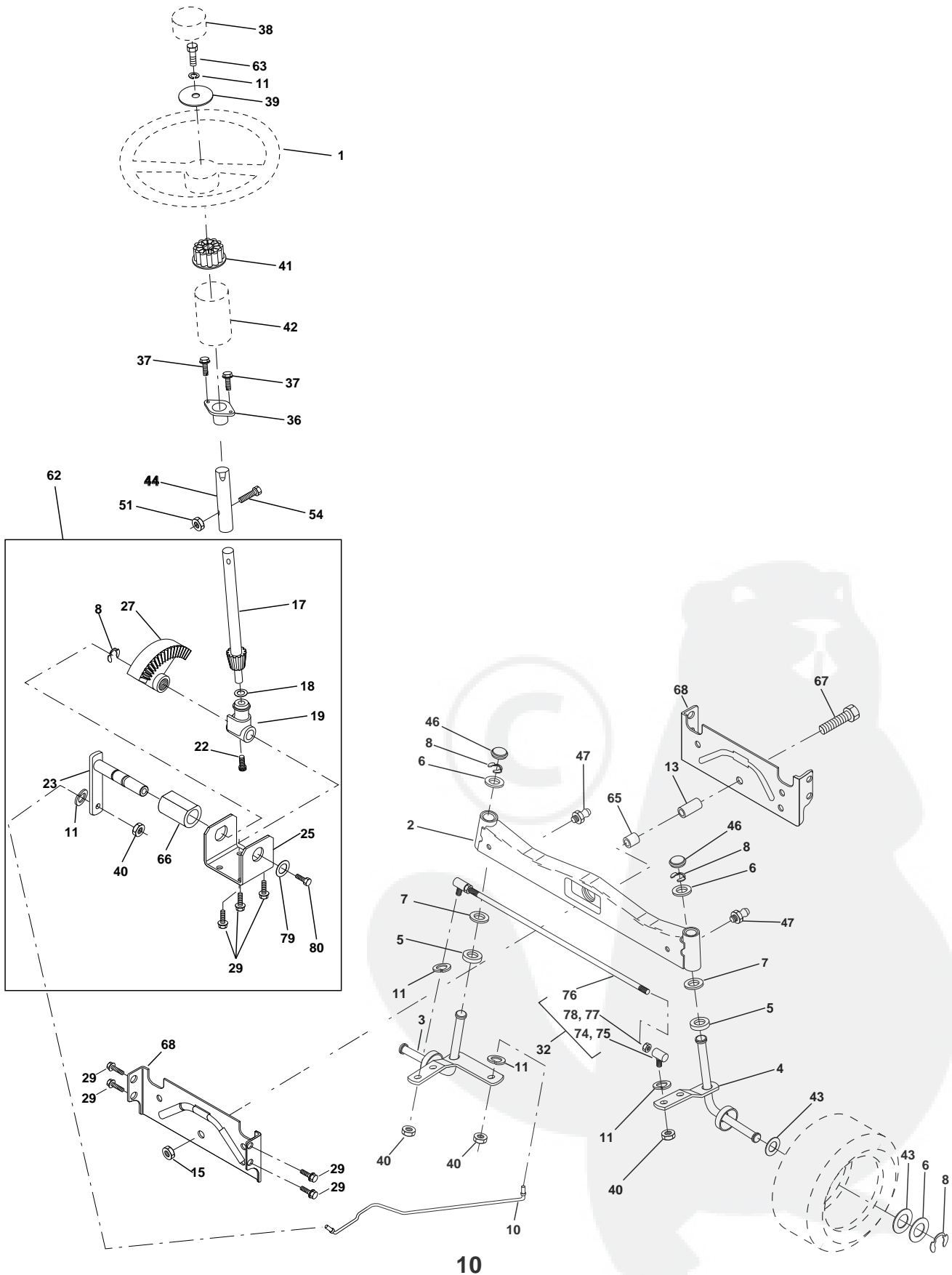
| KEY NO. | PART NO. | DESCRIPTION | KEY NO. | PART NO. | DESCRIPTION |
|---------|----------|--|---------|----------|------------------------------------|
| 1 | ----- | Transaxle Hydro Gear 331-0650 Order parts from transaxle manufacturer | 81 | 165585 | Asm, Shaft |
| 3 | 143995 | Pulley Hydro 0650 Lt/CRD | 82 | 123782X | Spring, Torsion |
| 8 | 165619 | Rod, Shift Fender Adjust Lt | 83 | 19171216 | Washer 17/32 x 3/4 x 16 Ga. |
| 9 | 167162 | Clutch Ele EVX 80 W/Hard Brake | 84 | 165629 | Link, Transaxle |
| 10 | 76020416 | Pin, Cotter 1/8 x 1 | 94 | 140462 | Fan 7" |
| 14 | 10040400 | Washer, Lock Hvy Helical | 95 | 165935 | Control Asm Bypass Hydro |
| 16 | 73800500 | Nut, Lock Hex w/Ins 5/16-18 UNC | 96 | 4497H | Spring, Retainer 1" |
| 18 | 74780616 | Bolt Hex 3/8-16 UNC x 1 Gr.5 | 100 | 19111216 | Washer 11/32 x 3/4 x 16 Ga. |
| 19 | 73800600 | Nut, Lock Hex w/Wsh 3/8-16 UNC | 102 | 141322 | Washer, Bellville .50ID x 1.50D |
| 20 | 150280 | Bolt, Hex 7/16-20 x 4-1/4 5 Ga 1.38 | 103 | 73940800 | Nut, Hex Jam Toplock 1/2-20 UNF |
| 21 | 106933X | Knob Round 1/2-13 UNC | 104 | 140156 | Arm, Control Hydro |
| 22 | 165688 | Rod, Brake CRD 0650 | 105 | 71070516 | Screw Cap Hex 5/16 x 18 Unc-1 |
| 23 | 154978 | Bracket asm Clutch Mtg. EVX 97 | 145 | 74490540 | Bolt Hex FGHD 5/16-18 x Gr 5 |
| 24 | 73350600 | Nut | 146 | 74490536 | Bolt Hex FLGHD 5/16-18 x 2-1/4 |
| 25 | 106888X | Spring, Rod, Brake | 147 | 74490524 | Bolt Hex FLGHD 5/16-18 x 1-1/2 |
| 26 | 19131316 | Washer 13/32 x 13/16 x 16 Ga. | 150 | 165850 | Bushing, Bellcrank Grnd Dr |
| 27 | 76020412 | Pin, Cotter 1/8 x 3/4 | 151 | 19133210 | Washer 13/32 x 2 x 10 Ga. |
| 28 | 145204 | Rod, Parking Brake | 153 | 74760516 | Bolt Hex Hd 5/16-18 Unc x 1 |
| 29 | 124236X | Cap, Parking Brake | 156 | 166002 | Washer Srrted 5/16ID x 1.125 |
| 30 | 130807 | Bracket, Mfg. Transaxle | 157 | 153236 | Bolt Shoulder 5/16-18 Unc 2A |
| 32 | 74760512 | Bolt Hex 5/16-18 UNC x 3/4 | 158 | 165589 | Bracket Shift Mount |
| 33 | 72140516 | Bolt Rdhd Sqnk 5/16-18 Unc x 3/4 | 159 | 165494 | Hub Tapered Flange Shift Lt |
| 34 | 165496 | Shaft, Asm Pedal Foot CRD | 160 | 19292016 | Washer 29/32 x 1-1/4 x 16 Ga. |
| 35 | 120183X | Bearing, Nylon | 161 | 72140406 | Bolt Rdhd Sqnk 1/4-20 x 3/4 Gr 5 |
| 36 | 19211616 | Washer 21/32 x 1 x 16 Ga. | 162 | 73680400 | Nut Crownlock 1/4-20 Unc |
| 37 | 1572H | Pin, Roll 3/16 x 1" | 163 | 74780416 | Bolt Hex Fin 1/4-20 Unc x 1 Gr 5 |
| 38 | 165630 | Pulley, Idler, Flat 1.88"CRD | 164 | 19091010 | Washer 5/8 x .281 x 10 Ga. |
| 39 | 74760644 | Bolt Fin Hex 3/8-16 x 2-3/4 | 165 | 165623 | Bracket Pivot Lever |
| 40 | 4470J | Spacer, Split 395 x 59 Bzp | 166 | 166880 | Screw 5/16-18 x 5/8 |
| 42 | 19131312 | Washer 13/32 x 13/16 x 12 Ga. | 167 | 165588 | Bracket Support Shift CRD |
| 47 | 127783 | Pulley, Idler, V Groove Plasitc | 168 | 165492 | Bolt Shoulder 5/16-18 x .561 |
| 48 | 154407 | Bellcrank Clutch Grnd Drv | 169 | 165580 | Plate Fastening Lt |
| 49 | 123205X | Retainer, Belt Style Spring | 171 | 17490608 | Screw Thdrol 3/8-16 x 1/2 Ty-Tt |
| 50 | 74760624 | Bolt Hex Hd 3/8-16 UNC x 1-1/2 | 172 | 165541 | Link Shift CRD Hydro 0650 |
| 51 | 73680600 | Nut, Crownlock 3/8-16 UNC | 173 | 165934 | Bracket Hydro Bypass CRD |
| 52 | 73680500 | Nut Crownlock 5/16-18 | 174 | 10090400 | Washer Lock 1/4 |
| 53 | 105710X | Link, Clutch 7.66 | 175 | 165931 | Spring Bypass CRD |
| 55 | 105709X | Spring, Return, Clutch | 176 | 19070816 | Washer 7/32 x 1/2 x 16 Ga. |
| 56 | 74760620 | Bolt, Hex 3/8-16 UNC x 1-1/4 | 177 | 165932 | Keeper Flat Idler 3.06" CRD |
| 57 | 165632 | V-Belt Kev 112" 0650 CRD | 178 | 165933 | Keeper Belt Idler 1.88" CRD |
| 62 | 8883R | Cover, Pedal | 179 | 120958X | Washer Sintered |
| 63 | 145868 | Pulley, Clutch elect EVX 1" | 180 | 165936 | Pulley Flat Composite 3.06" |
| 65 | 10040700 | Washer | 181 | 165797 | Bracket Idler Ground Drive CRD |
| 66 | 154778 | Keeper, Belt Engine F-Proof | 182 | 165634 | Keeper Belt 2.5" Od V-Idler CRD |
| 71 | 140158 | Strap, Torque, Lh | 183 | 165626 | Pulley V-Idler 2.50" Od CRD |
| 73 | 156347 | Strap, Torque, Rh | 184 | 17490644 | Screw Hexwsh Thdrol 3/8-16 x 2-3/4 |
| 74 | 121199X | Spacer, Split | 185 | 165587 | Shaft Asm Shifter Frt CRD 0650 |
| 75 | 121749X | Washer 25/32 x 1-1/4 x 16 Ga. | 186 | 165614 | Hub Tapered Round CRD |
| 76 | 12000001 | Ring, E | 187 | 17490620 | Screw Thdrol 3/8-16 x 1-1/4 TT |
| 77 | 123583X | Key, Square | 188 | 110436X | Bushing Snap Split Blk |
| 78 | 121748X | Washer 25/32 x 1-5/8 x 16 Ga. | | | |

NOTE: All component dimensions given in U.S. inches
1 inch = 25.4 mm

REPAIR PARTS

TRACTOR- -MODEL NO. Y155H92RBA

STEERING ASSEMBLY



REPAIR PARTS

TRACTOR- -MODEL NO. Y155H92RBA

STEERING ASSEMBLY

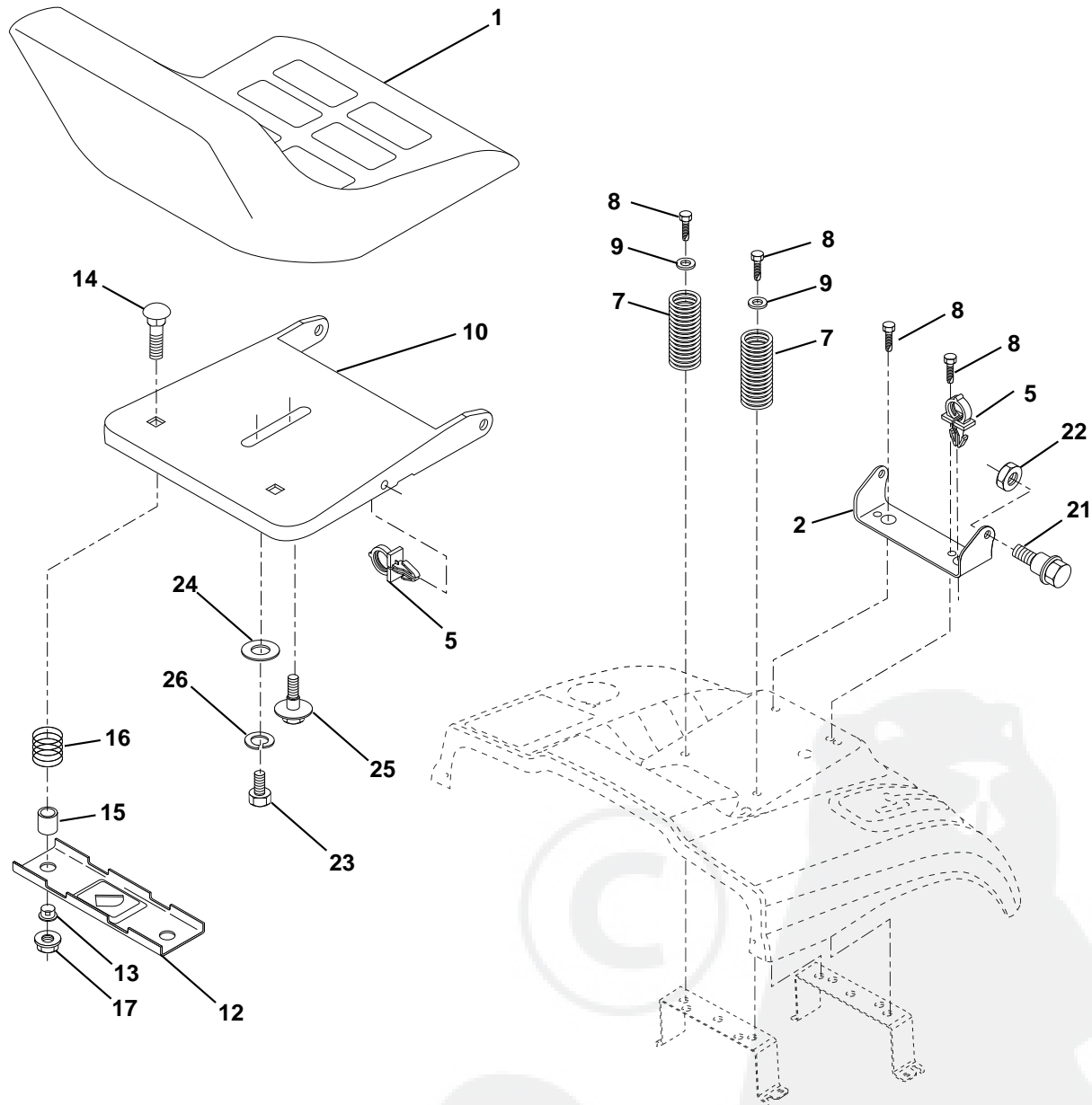
| KEY NO. | PART NO. | DESCRIPTION |
|---------|----------|------------------------------------|
| 1 | 133741 | Steering Wheel |
| 2 | 137094 | Front Axle Assembly |
| 3 | 157479 | Spindle Assembly, L.H. |
| 4 | 157478 | Spindle Assembly, R.H. |
| 5 | 6266H | Bearing, Race, Thrust, Hardened |
| 6 | 121748X | Washer 25/32 x 1-5/8 x 16 Gauge |
| 7 | 19272016 | Washer 27/32 x 1-1/4 x 16 Gauge |
| 8 | 12000029 | Ring, Klip |
| 10 | 154432 | Link, Drag |
| 11 | 10040600 | Washer, Lock |
| 13 | 167118 | Spacer Axle |
| 15 | 73901000 | Nut, Lock, Flange 5/8-11 UNC |
| 17 | 156546 | Shaft Assembly, Steering |
| 18 | 57079 | Washer, Thrust .515 x .750 x .033 |
| 19 | 160395 | Support, Shaft |
| 22 | 165857 | Screw Hex Wshhd Torx |
| 23 | 165851 | Pittman Shaft Assembly |
| 25 | 154406 | Bracket, Steering |
| 27 | 136874 | Gear, Sector |
| 29 | 17490612 | Screw, Thd., Roll. 3/8-16 x 3/4 |
| 32 | 137347 | Rod, Tie |
| 36 | 155099 | Bushing, Steering |
| 37 | 152927 | Screw TT #10-32 x 5 x 3/8 Flange |
| 38 | 133742 | Cap Wheel Steering |
| 39 | 19133808 | Washer 13/32 x 2-3/8 x 8 Gauge |
| 40 | 7810H | Nut Lock Center 3/8-24 Unf |
| 41 | 100711L | Adaptor, Steering Wheel |
| 42 | 145054 | Boot, Steering Dash P/L Mtl |
| 43 | 121749X | Washer 25/32 x 1-1/4 x 16 Gauge |
| 44 | 153720 | Extension Steering Non-Adjust |
| 46 | 121232X | Cap, Spindle |
| 47 | 6855M | Fitting, Grease |
| 51 | 73800500 | Nut Lock Hx W/Ins 5/16-18 UNC |
| 54 | 74780520 | Bolt Fin Hex 5/16-18 UNC x 1-1/4 |
| 62 | 167902 | Kit, Steering Assembly, Service |
| 63 | 74780616 | Bolt Fin Hex 3/8-16 unc. x 1 Gr. 5 |
| 65 | 154780 | Spacer Axle |
| 66 | 154404 | Bearing Arm Pittman |
| 67 | 74781044 | Bolt Fin Hex 5/8-11unc x 2-3/4 |
| 68 | 154429 | Brace Axle |
| 74 | 109850X | Joint Asm Ball Rh Service |
| 75 | 109851X | Joint Asm Ball Lh Service |
| 76 | 137156 | Rod Tie Ball J Adj. VGT Service |
| 77 | 73700600 | Nut Hex Jam 3/8-24 Unf Lh |
| 78 | 73360600 | Nut Hex Jam 3/8-24 |
| 79 | 19132012 | Washer 13/32 x 1-1/4 x 12 Ga |
| 80 | 74950612 | Bolt Hex Nylon 3/8-16 x 3/4 |

NOTE: All component dimensions given in U.S. inches.
1 inch = 25.4 mm.

REPAIR PARTS

TRACTOR- -MODEL NO. Y155H92RBA

SEAT ASSEMBLY



| KEY NO. | PART NO. | DESCRIPTION |
|---------|----------|--------------------------------|
| 1 | 127428 | Seat |
| 2 | 140551 | Bracket Pnt Pivot Seat (blk) |
| 5 | 145006 | Clip Push In Hinged |
| 7 | 124181X | Spring Seat Cprsn 2 250 Blk Zi |
| 8 | 17490616 | Screw Thdrol 3/8-16 X 1 Ty-tt |
| 9 | 19131614 | Washer 13/32 X 1 X 14 Ga |
| 10 | 155925 | Pan Pnt Seat (blk) |
| 12 | 121246X | Bracket Pnt Mounting Switch |
| 13 | 121248X | Bushing Snap Blk Nyl 50 Id |
| 14 | 72050412 | Bolt Rdhd Sht Nk 1/4-20x1-1/2 |

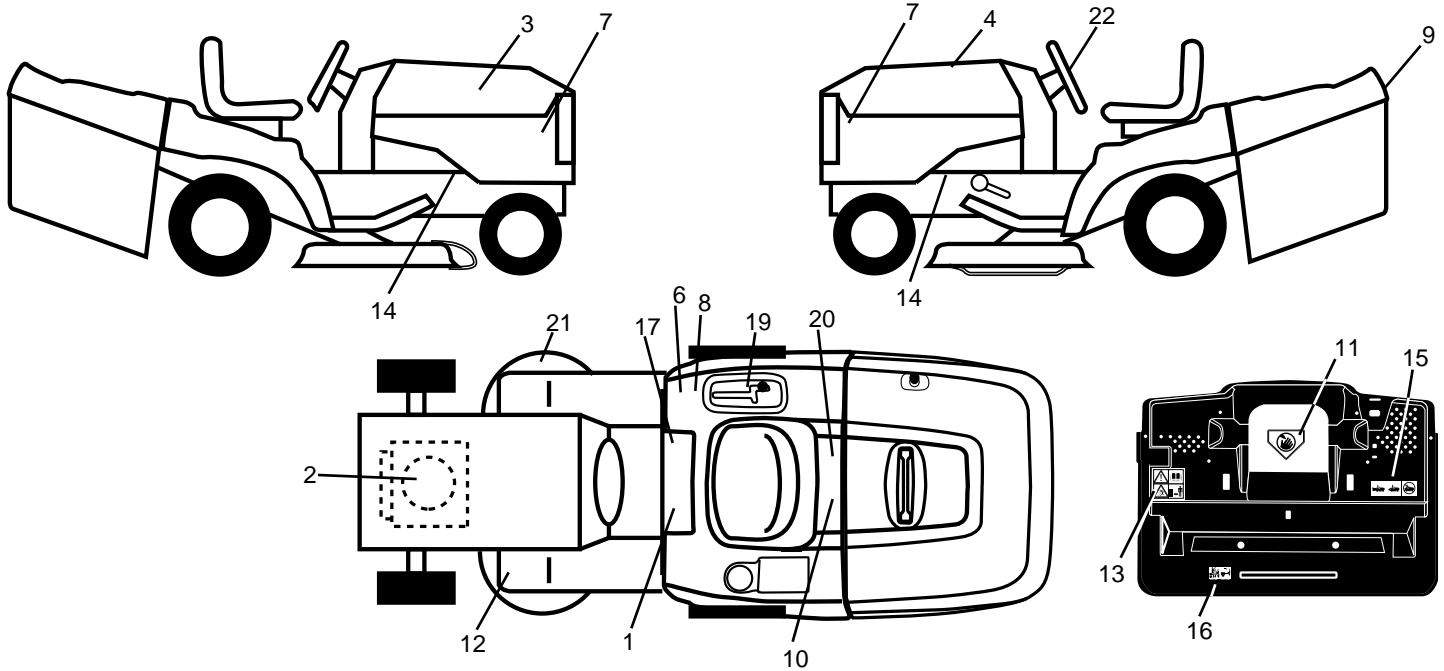
| KEY NO. | PART NO. | DESCRIPTION |
|---------|----------|---------------------------------|
| 15 | 134300 | Spacer Split .28 X .96 Zinc |
| 16 | 121250X | Spring Cprsn |
| 17 | 123976X | Nut Lock 1/4 Lge Flg Gr 5 Zinc |
| 21 | 153236 | Bolt Shoulder 5/16-18 Unc-2A |
| 22 | 73800500 | Nut Hex Lock w/Ins 5/16-18 |
| 23 | 74780814 | Bolt Fin Hex 1/2-13 x 7/8 Gr. 5 |
| 24 | 19171912 | Washer 17/32 X 1-3/16 X 12 Ga. |
| 25 | 127018X | Bolt Shoulder 5/16-18 X 62 |
| 26 | 10040800 | Washer Lock Hvy Hlcl Spr 1/2 |

NOTE: All component dimensions given in U.S. inches.
1 inch = 25.4 mm

REPAIR PARTS

TRACTOR- -MODEL NO. Y155H92RBA

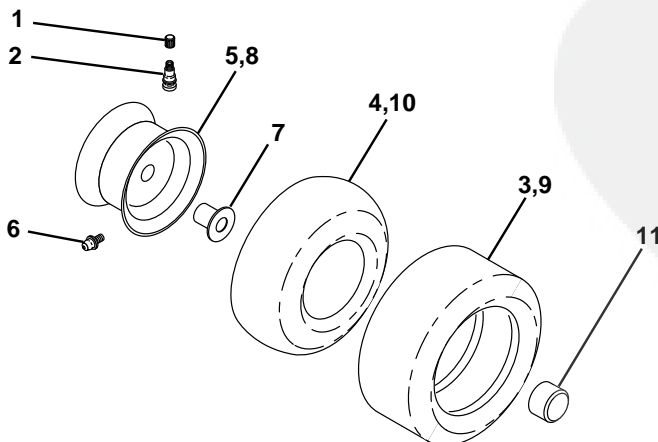
DECALS



| KEY NO. | PART NO. | DESCRIPTION |
|---------|----------|-------------------------------|
| 1 | 145498 | Decal Read Owner's Manual Sym |
| 2 | 165365 | Decal Hp Engine |
| 3 | 143335 | Decal Hood Rh |
| 4 | 143336 | Decal Hood Lh |
| 6 | 126187X | Decal 100 DBA |
| 7 | 167584 | Decal Sd Pnl Hp/Deck Size |
| 8 | 145437 | Decal Europe Stand Ce |
| 9 | 123689X | Decal Fender Logo |
| 10 | 145005 | Decal Bat Dan/Poi P/L Sym Wp |
| 11 | 145494 | Decal Mower Cut Finger Symbol |
| 12 | 159737 | Decal Brake/Clutch Symbol Lt |
| 13 | 166959 | Decal Warn Back Plate CRD |

| KEY NO. | PART NO. | DESCRIPTION |
|---------|----------|-------------------------------|
| 14 | 159736 | Decal Chassis Hot Muffler |
| 15 | 166961 | Decal Oper Bag Presence CRD |
| 16 | 162598 | Decal Drawbar Load Limit |
| 17 | 140837 | Decal Saddle Brake Parking |
| 19 | 166962 | Decal Console Hydro CRD White |
| 20 | 166960 | Decal Bypass Fender CRD |
| 21 | 166286 | Decal Deck Sch 92 CRD |
| 22 | 146987 | Decal, Strg Whl |
| — | 138311 | Decal Lift Handle |
| — | 133671 | Pad Footrest |
| — | 168017 | Manual Operators (Euro) |
| — | 168562 | Manual Parts |

WHEELS & TIRES



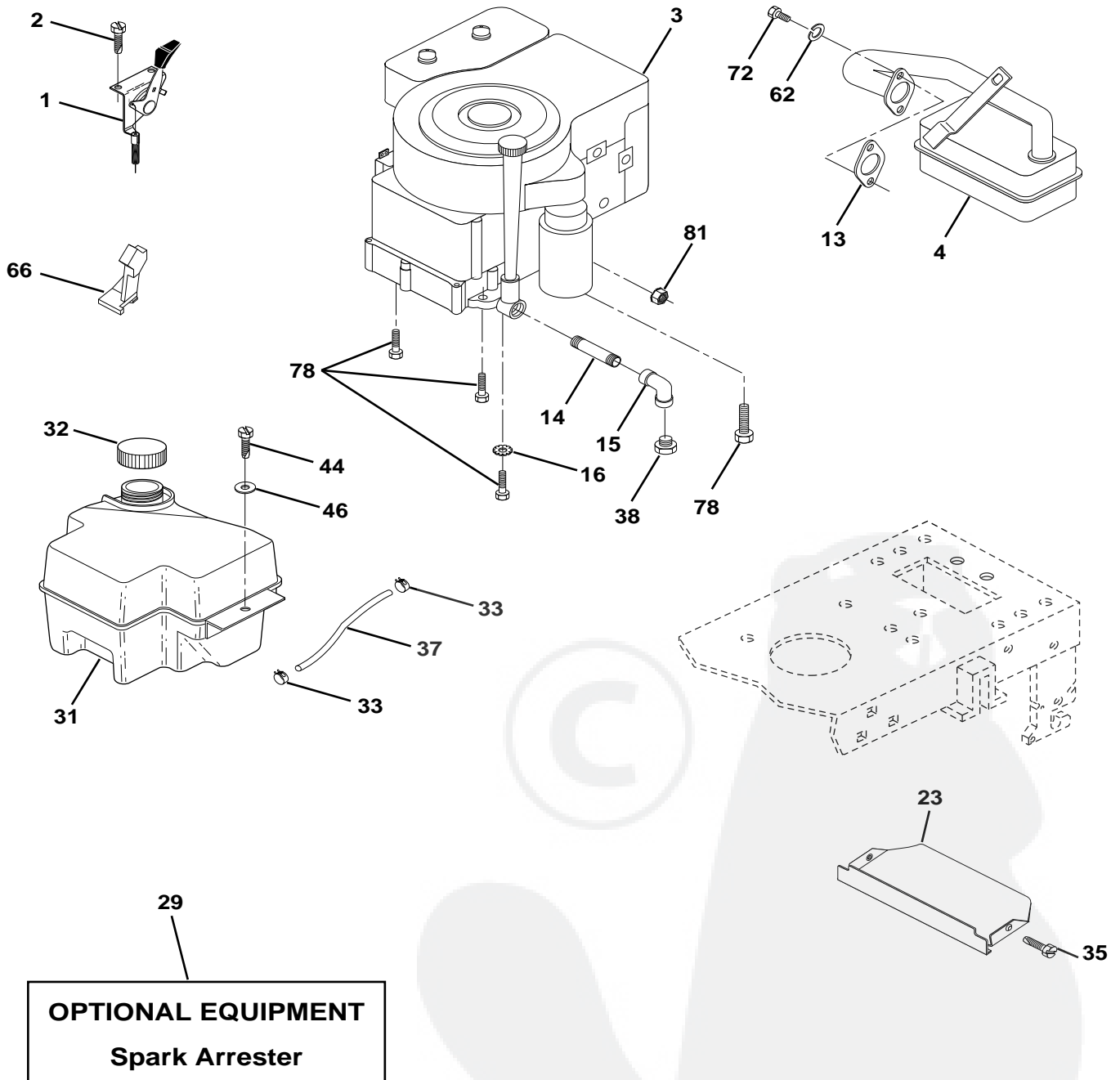
| KEY NO. | PART NO. | DESCRIPTION |
|---------|------------|--------------------------------|
| 1 | 59192 | Cap Value Tire |
| 2 | 65139 | Stem Value |
| 3 | 106222X | Tire F Ts 15 X 6 0 - 6 Service |
| 4 | 59904 | Tube Inner Front #35060 |
| 5 | 106732X417 | Rim Asm 6"front Silver Service |
| 6 | 278H | Fitting Grease |
| 7 | 9040H | Bearing Flange |
| 8 | 106108X417 | Rim Asm 8"rear Silver Service |
| 9 | 138468 | Tire R Ts 20 x 8-8 Service |
| 10 | 7152J | Tube Rear 9 5 X 8 Service |
| 11 | 104757X | Cap Axle Blk 1 50 X 1 00 |
| -- | 144334 | Sealant, Tire (10 oz. tube) |

NOTE: All component dimensions given in U.S. inches
1 inch = 25.4 mm

REPAIR PARTS

TRACTOR- -MODEL NO. Y155H92RBA

ENGINE



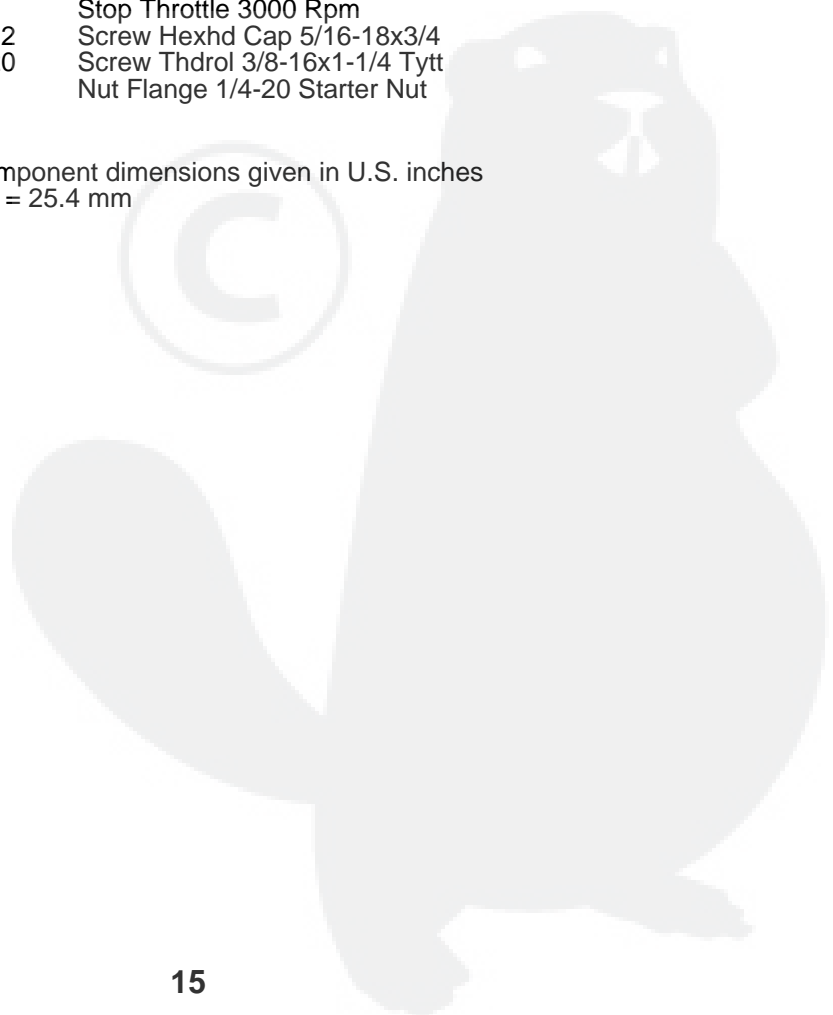
REPAIR PARTS

TRACTOR- -MODEL NO. Y155H92RBA

ENGINE

| KEY NO. | PART NO. | DESCRIPTION |
|---------|----------|--|
| 1 | 141359 | Control Throt /Ch Lh |
| 2 | 17720410 | Screw Hex Thd Cut 1/4-20x5/8 T |
| 3 | ----- | Engine Briggs Model 28U707 Order Parts from Engine Manufacturer |
| 4 | 137352 | Muffler Exhaust B&S Lt |
| 13 | 165291 | Gasket 1 313 Id Tin Plated |
| 14 | 13280324 | Nipple Pipe 3/8 Npt X 3" |
| 15 | 13200300 | Elbow Std 90 Degree 3/8-18 Npt |
| 16 | 11050600 | Washer Lock Ext Tooth 3/8 |
| 23 | 159880 | Shield Browning/Debris Guard |
| 29 | 137180 | Arrestor Spark |
| 31 | 161911 | Tank Fuel 2.00 Fr |
| 32 | 140527 | Cap Asm Fule Top Vent N/Lany |
| 33 | 123487X | Clamp Hose Blk |
| 35 | 17490512 | Screw, Thdrol 5/16-18 x 3/4 Tyt |
| 37 | 137040 | Line Fuel 20" |
| 38 | ----- | Plug Oil Drain (Order From Engine Manufacturer) |
| 44 | 17490412 | Screw Hexwsh Thdrol 1/4-20x3/4 |
| 46 | 19091416 | Washer 9/32 X 7/8 X 16ga |
| 62 | 10040500 | Washer Lock Hvy Hlcl Spr 5/16 |
| 66 | 127951 | Stop Throttle 3000 Rpm |
| 72 | 71070512 | Screw Hexhd Cap 5/16-18x3/4 |
| 78 | 17490620 | Screw Thdrol 3/8-16x1-1/4 Tytt |
| 81 | 128861 | Nut Flange 1/4-20 Starter Nut |

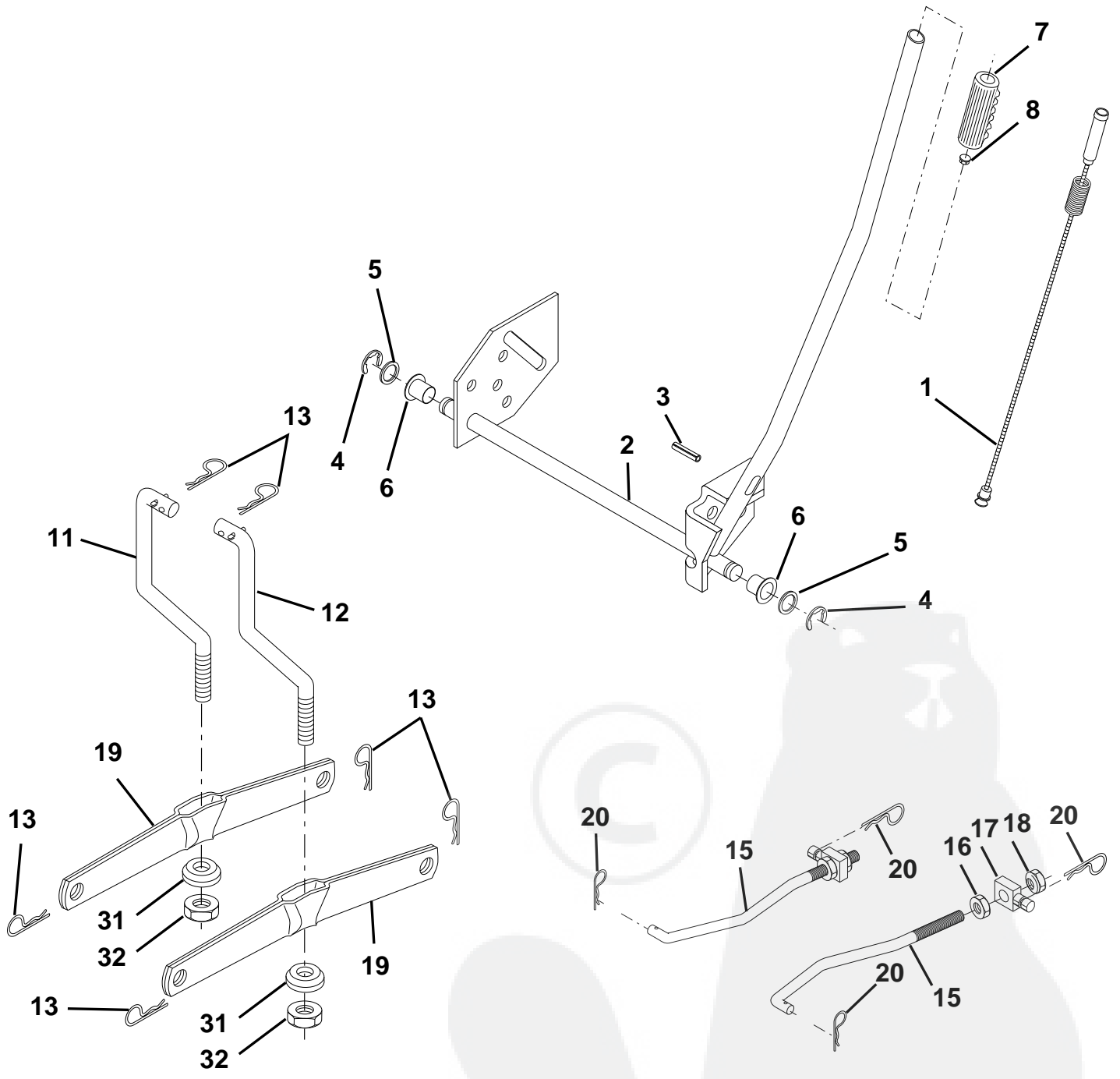
NOTE: All component dimensions given in U.S. inches
1 inch = 25.4 mm



REPAIR PARTS

TRACTOR- -MODEL NO. Y155H92RBA

MOWER LIFT



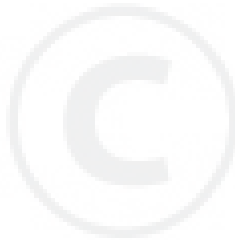
REPAIR PARTS

TRACTOR- -MODEL NO. Y155H92RBA

MOWER LIFT

| KEY NO. | PART NO. | DESCRIPTION |
|---------|----------|---------------------------------------|
| 1 | 159460 | Washer Asm Inner Spring W/ Plunger |
| 2 | 159471 | Shaft Asm. Lift |
| 3 | 105767X | Pin Groove |
| 4 | 12000002 | E Ring #5133-62 |
| 5 | 19211621 | Washer 21/32 x 1 x 21 Ga. |
| 6 | 120183X | Bearing Nylon |
| 7 | 109413X | Grip Handle |
| 8 | 122365X | Button Plunger Red |
| 11 | 165829 | Link Asm Lift L.H. |
| 12 | 165831 | Link Asm Lift R.H. |
| 13 | 4939M | Retainer Spring |
| 15 | 127218 | Link Front |
| 16 | 73350800 | Nut Jam Hex 1/2-13 Unc |
| 17 | 130171 | Trunnion Blk Zinc |
| 18 | 73680800 | Nut Crownlock 1/2-13 Unc |
| 19 | 139868 | Arm Suspension Mower |
| 20 | 163552 | Retainer Spring |
| 31 | 140302 | Bearing, Pvt. Lift. Spherical |
| 32 | 73540600 | Nut Crownlock 3/8-24 |

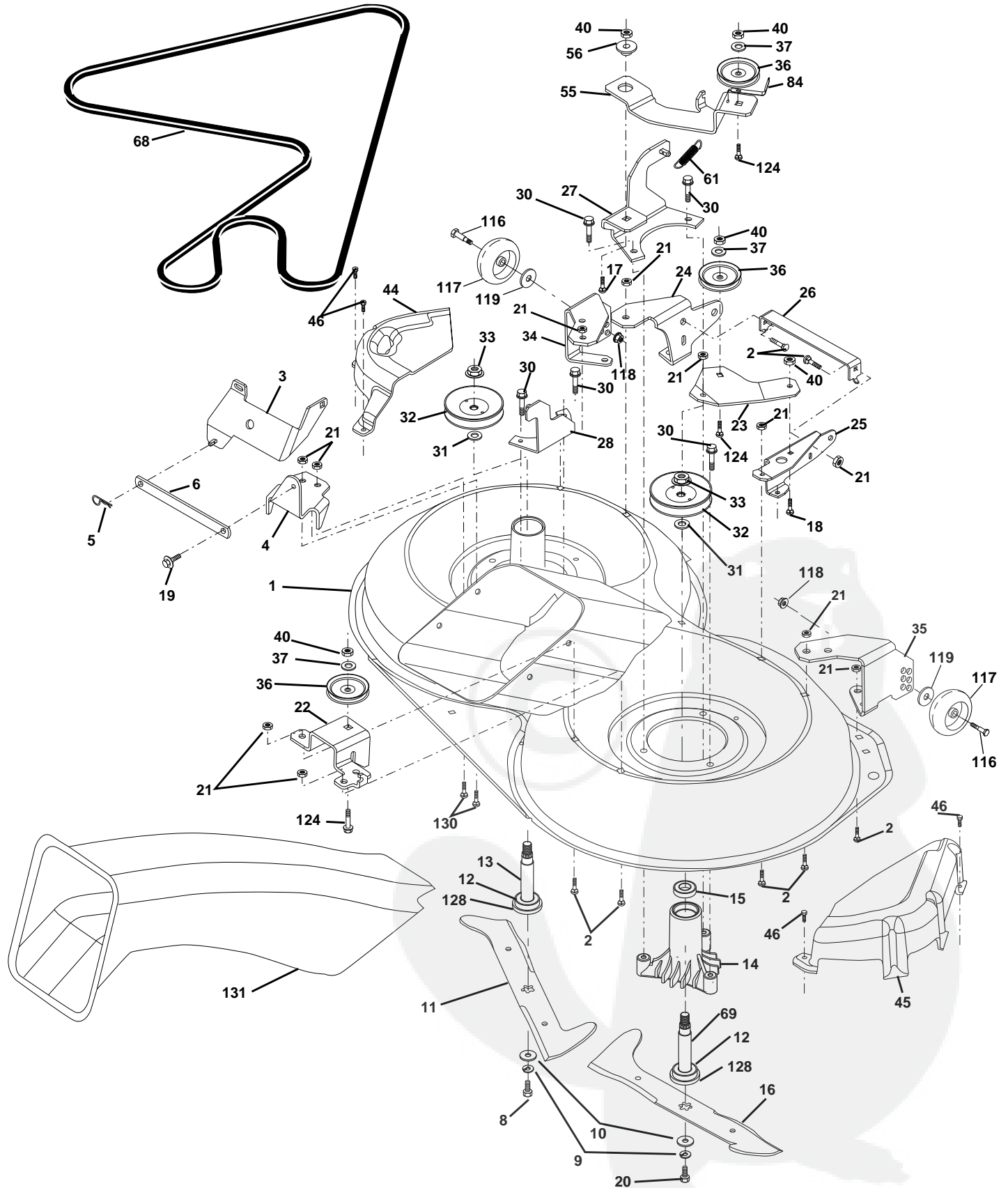
NOTE: All component dimensions given in U.S. inches
1 inch = 25.4 mm



REPAIR PARTS

TRACTOR- -MODEL NO. Y155H92RBA

MOWER



REPAIR PARTS

TRACTOR- -MODEL NO. Y155H92RBA

MOWER

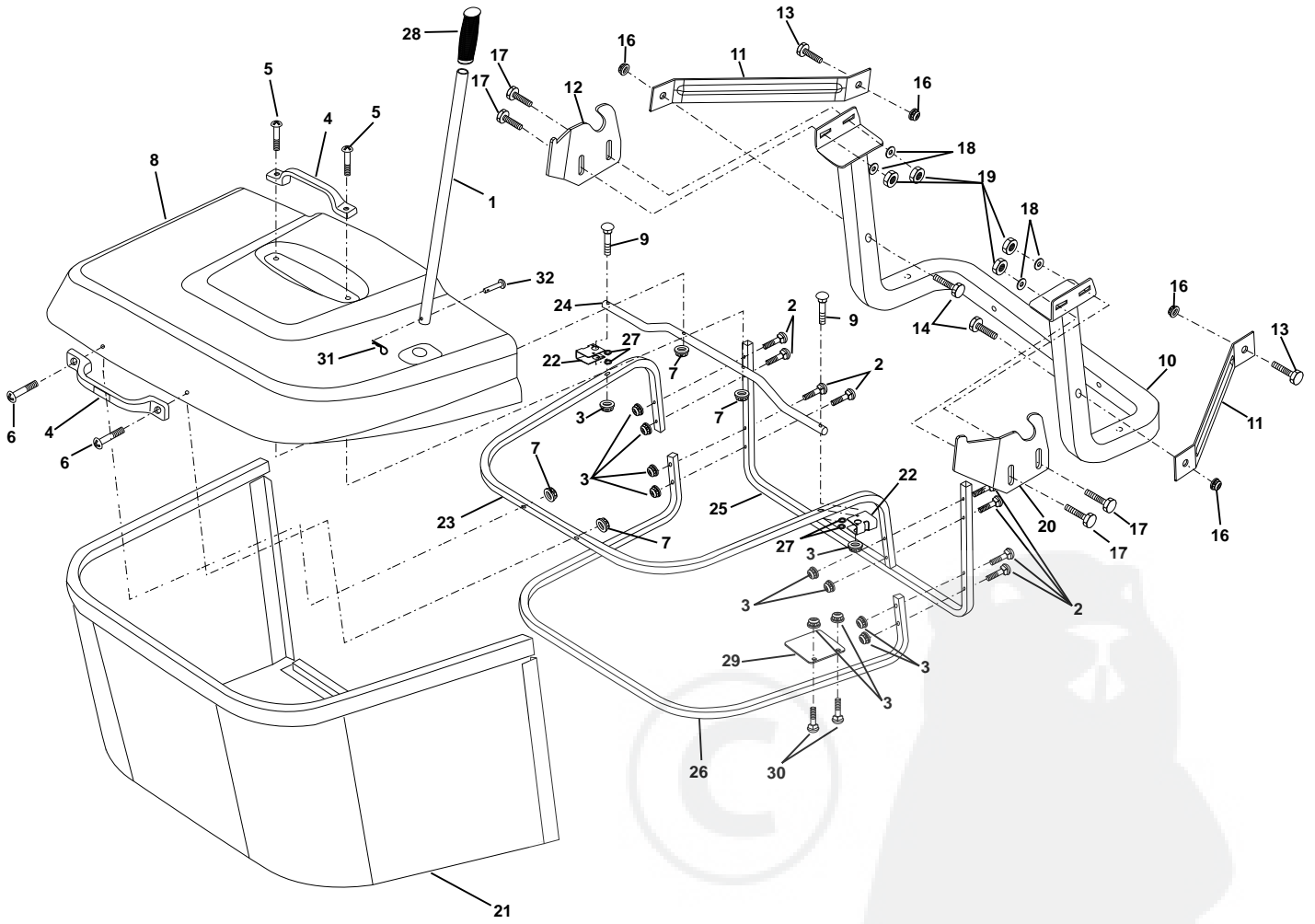
| KEY NO. | PART NO. | DESCRIPTION | KEY NO. | PART NO. | DESCRIPTION |
|---------|----------|-----------------------------------|---------|----------|---------------------------------|
| 1 | 165552 | Housing Asm. Mower 92 CRD | 32 | 153531 | Mandrel Pulleys 36 & 46 |
| 2 | 72140506 | Bolt Rdhd Sqnk 5/16-18 Unc x 3/4 | 33 | 137266 | Nut Flg Top Lock Cntr B 9/16 |
| 3 | 165569 | Bracket Asm. S-Bar Chass 92 CRD | 34 | 165239 | Bracket Gauge Wheel Lf 92 CRD |
| 4 | 165558 | Bracket Bar Sway Deck 92 CRD | 35 | 165238 | Bracket Gauge Wheel Rf 92 CRD |
| 5 | 4939M | Retainer Spring | 36 | 146763 | Pulley Idler V-Groove Dim 4.25 |
| 6 | 165557 | Bar Sway 92 CRD | 37 | 19131316 | Washer 11/32 x 13/16 x 16 Ga |
| 8 | 850857 | Bolt 3/8-24 x 1.25 Gr8 Patched | 40 | 73680600 | Nut Crownlock 3/8-16 Unc |
| 9 | 10030600 | Washer Lock Hvy 3/8 Unplated | 44 | 165724 | Cover Mandrel Lh 92 CRD |
| 10 | 140296 | Washer Hard Blade Mower vented | 45 | 165556 | Cover Mandrel Rh 92 CRD |
| 11 | 165560 | Blade 3-1 Lh 92 CRD | 46 | 137729 | Screw Thd Roll 1/4-20 x 5/8 |
| 12 | 129895 | Bearing Ball #6204 (Mandrel) | 55 | 165445 | Arm Idler 92 CRD |
| 13 | 137645 | Shaft Asm. W/Lower Bearing | 56 | 122052X | Spacer Retainer PM Mower |
| 14 | 128774 | Housing Mandrel Vented (Machd) | 61 | 165945 | Spring Tension Belt |
| 15 | 110485X | Bearing Ball Mandrel | 68 | 165555 | Hex-Belt 92 Mower 105AA |
| 16 | 165561 | Blade 3-1 Rh 92 CRD | 69 | 165482 | Shaft Asm W/Lwr Brg Rh Thd CRD |
| 17 | 72140610 | Bolt Carriage 3/8-16 x 1-1/4 | 84 | 156085 | Keeper Belt Idler |
| 18 | 72110608 | Bolt Rdhd Sqnk 3/8-16 x 1 Gr5 | 116 | 137644 | Bolt Shoulder |
| 19 | 132827 | Bolt Shoulder 5/16-18 Thd Form | 117 | 133957 | Wheel Gage Donut Wide |
| 20 | 165484 | Bolt 3/8-24 x 1.25 Gr8 Ptch Lhthd | 118 | 73930600 | Nut Centerlock 3/8-16 Unc |
| 21 | 73680500 | Nut Crown Lock 5/16-18 | 119 | 19121414 | Washer 3/8 x 7/8 x 14 Ga. |
| 22 | 165243 | Bracket Idler Sprt RR 92 CRD | 124 | 72110612 | Bolt Carr Sh 3/8-16 x 1-1/2 Gr5 |
| 23 | 165446 | Bracket Idler Sprt RF 92 CRD | 128 | 153390 | Washer Felt |
| 24 | 165242 | Bracket Suspension LF 92 CRD | 130 | 72110506 | Bolt Rdhdsqnk 5/16-18 Unc x 3/4 |
| 25 | 165244 | Bracket Suspension RF 92 CRD | 131 | 165661 | Chute Bagger CRD 92cm |
| 26 | 165237 | Brace Support Susp Frt CRD | -- | 130794 | Mandrel Asm Service |
| 27 | 165568 | Bracket Asm. Susp RR 92 CRD | -- | 165579 | Mandrel Asm CRD Lh Threads SVC |
| 28 | 165567 | Bracket Asm. Susp LR 92 CRD | -- | 165578 | Deck Mower Complete |
| 30 | 157722 | Screw Thd Rolling Washer Head | | | |
| 31 | 129963 | Washer Spacer Mower Vented | | | |

NOTE: All component dimensions given in U.S. inches
1 inch = 25.4 mm

REPAIR PARTS

TRACTOR- -MODEL NO. Y155H92RBA

BAGGER



REPAIR PARTS

TRACTOR- -MODEL NO. Y155H92RBA

BAGGER

| KEY NO. | PART NO. | DESCRIPTION |
|---------|------------|---------------------------------------|
| 1 | 165249 | Tube Handle Bagger CRD |
| 2 | 72140416 | Bolt Carriage 1/4-20 x 2.0 Gr.5 |
| 3 | 123976X | Nut Lock 1/4 Lge Flg Gr. 5 Zinc |
| 4 | 165693 | Handle Grab Plastic Black |
| 5 | 74981024 | Screw Pan Head #10-24 x 1.50 Blk |
| 6 | 74981032 | Screw Pan Hd |
| 7 | 59931 | Nut Lock #10-24 Flg Gr.5 Zinc |
| 8 | 165715X505 | Cover Bagger Plastic CRD |
| 9 | 72140418 | Bolt Carriage 1/4-20 x 2.25d x Gr.5 |
| 10 | 165716 | Support AsmWldmnt Bagger CRD |
| 11 | 165719 | Bracket Support Upper Bag CRD |
| 12 | 165735 | Bracket Pivot Bagger Lh CRD |
| 13 | 72110606 | Bolt Rdhd Sht Sqnk 3/8-16 x 3/4 |
| 14 | 74520640 | Bolt Hex 3/8-16 x 2-1/2 Gr.5 |
| 16 | 73900600 | Nut Lock Flg 3/8-16 Unc |
| 17 | 72140506 | Bolt Rdhd Sht Sqnk 5/16 -18 Unc x 3/4 |
| 18 | 19112016 | Washer 11/32 x 1.25 x 16 Ga. |
| 19 | 73800500 | Nut Lock Hex W/Ins 5/16-18 Unc PI |
| 20 | 165736 | Bracket Pivot Bagger RH CRD |
| 21 | 165780 | Bag Asm CRD |
| 22 | 165781 | Bracket Side Bagger CRD |
| 23 | 165782 | Tube Upper Bagger CRD |
| 24 | 165783 | Tube Pivot Bagger CRD |
| 25 | 165784 | Tube Front Bagger CRD |
| 26 | 165785 | Tube Lower Bagger CRD |
| 27 | 165786 | Grommet Extruded Cut1/8 |
| 28 | 165787 | Grip Handle Black |
| 29 | 165839 | Plate Stop Bagger handle CRD |
| 30 | 72140410 | Bolt Carriage 1/4-20 x 1 Gr.5 |
| 31 | 4497H | Retainer Spring 1" Zinc/Cad |
| 32 | 126875X | Rivet Rd Hd Drilled 3/8 Dia |

NOTE: All component dimensions given in U.S. inches
1 inch = 25.4 mm

SERVICE NOTES



SERVICE NOTES





Yard Pro