

Service

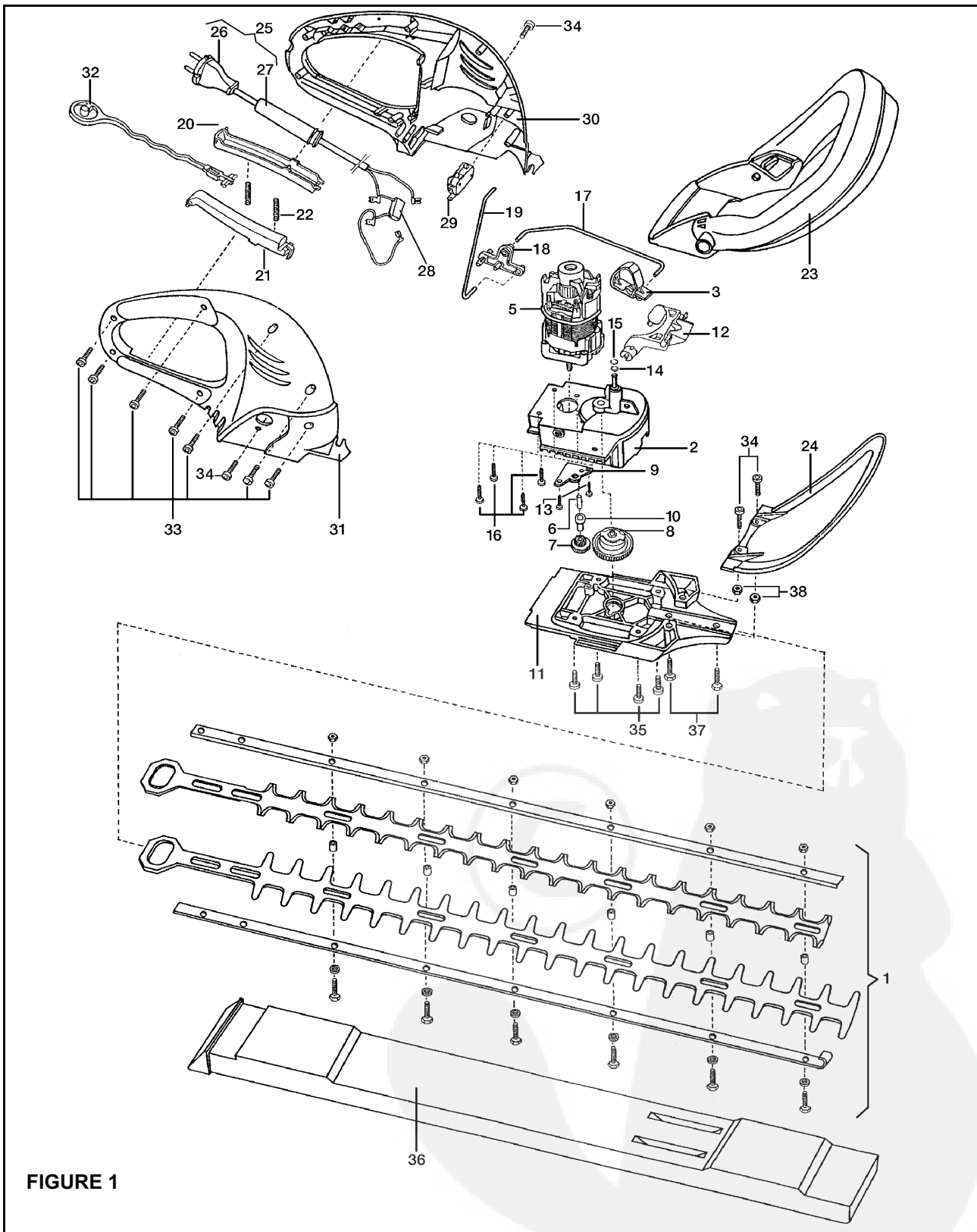


FIGURE 1

Item	P/N McC	P/N ELX	Qty	DESCRIPTION
------	---------	---------	-----	-------------

Item	P/N McC	P/N ELX	Qty	DESCRIPTION
------	---------	---------	-----	-------------

FIGURE 1

C 1	249683	538249683	1	6-60 blade ass'y
	249684	538249684	1	6-70 blade ass'y
2	248864	538248864	1	600W motor box
C 3	248865	538248865	1	toggle lever
4	248866	538248866	1	dust cover
C 5	248868	538248868	1	600W motor
6	248869	538248869	1	pin
C 7	248870	538248870	1	pinion gear
C 8	249685	538249685	1	600W motor gear
9	248873	538248873	1	metal strap
10	248874	538248874	1	spacer
11	248875	538248875	1	keep plate
	248876	538248876	1	grey keep plate
12	248877	538248877	1	linkage
C 13	248880	538248880	2	strap/pinion locking screw
14	248881	538248881	1	washer
15	248882	538248882	1	retaining ring
16	248883	538248883	4	motor box locking screw
17	248878	538248878	1	lower engaging lever
C 18	242342	538242342	1	control lever
19	242343	538242343	1	upper connecting rod
20	242344	538242344	1	upper control lever
	242359	538242359	1	grey upper control lever
21	242345	538242345	1	lower control lever
	242360	538242360	1	grey lower control lever
22	242346	538242346	2	control lever spring
23	242348	538242348	1	handle ass'y
	242361	538242361	1	grey handle ass'y
C 24	242347	538242347	1	guard
25	242352	538242352	1	wires (Schuko)
25	242396	538242396	1	wires (UK)
26	• 242353	538242353	1	cable+pin (Schuko)
	• 242397	538242397	1	cable+pin (UK)
27	• 241051	538241051	1	fair lead
28	• 240794	538240794	1	radio interference suppressor
B 29	• 242354	538242354	1	micro switch
30	242262	538242262	1	left crankcase (2 switch)
	242391	538242391	1	orange left crankcase (2 switch)
31	242263	538242263	1	right crankcase (2 switch)
	242392	538242392	1	orange right crankcase (2 switch)
32	242266	538242266	1	wire holder
33	240862	538240862	7	M4x18 screw
34	242349	538242349	4	M6 screw
35	242350	538242350	4	M5 screw
36	242351	538242351	1	blades case
37	229959	538229959	2	M6x20 screw
38	217403	538217403	2	M6 nut

A=ALTA ROTAZIONE
B=MEDIA ROTAZIONE
C=ALTA ROTAZIONE
NUOVI CODICI

A=HIGH MOVING
B=MEDIUM MOVING
C=SLOW MOVING
NEW P. NUMBERS

A=HAUTE DEMANDE
B=MOYENNE DEMANDE
C=BASSE DEMANDE
NOUVELLES REFERENCES

A=GROBE NACHFRAGE
B=MITTELMAESSIGE
C=WENIGE NACHFRAGE
NEU CODEX