

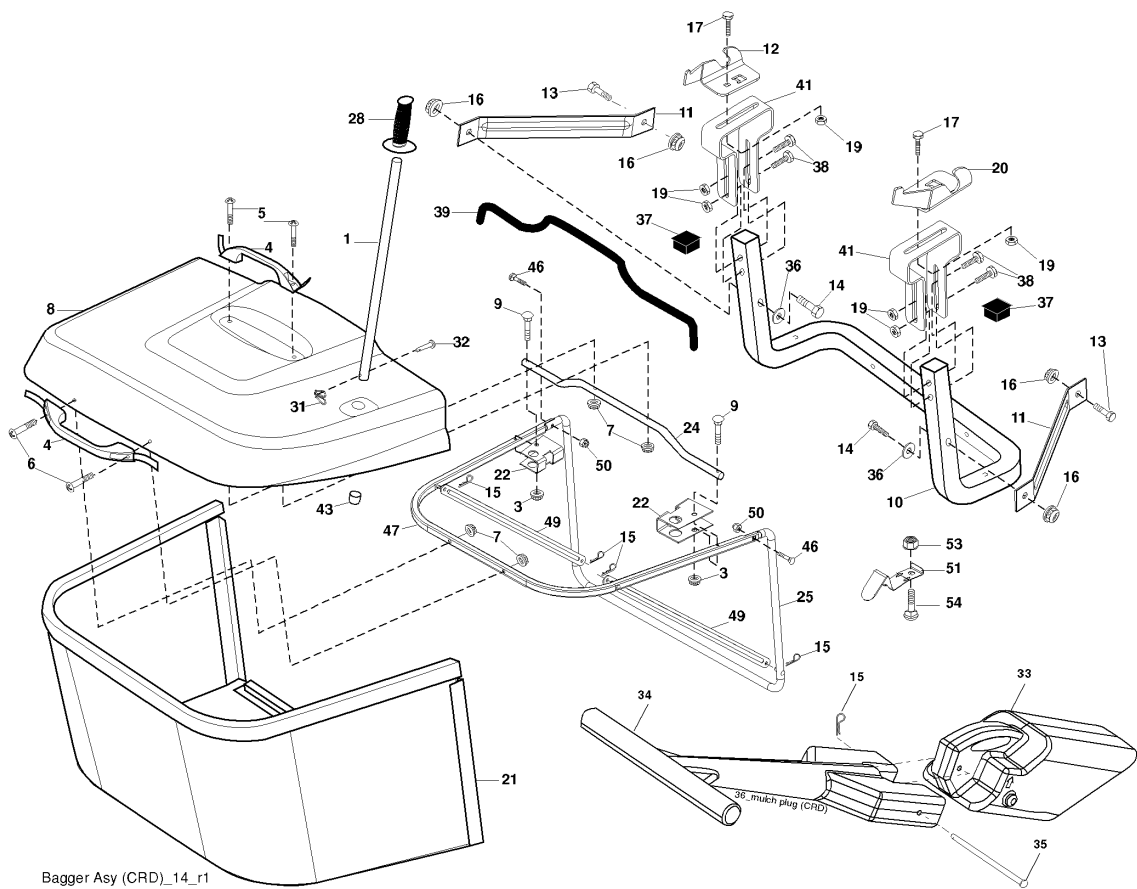


# SPARE PARTS LIST

TRACTORS/RIDE MOWERS

LT 2217 CMA, 96061019703, 2008-02

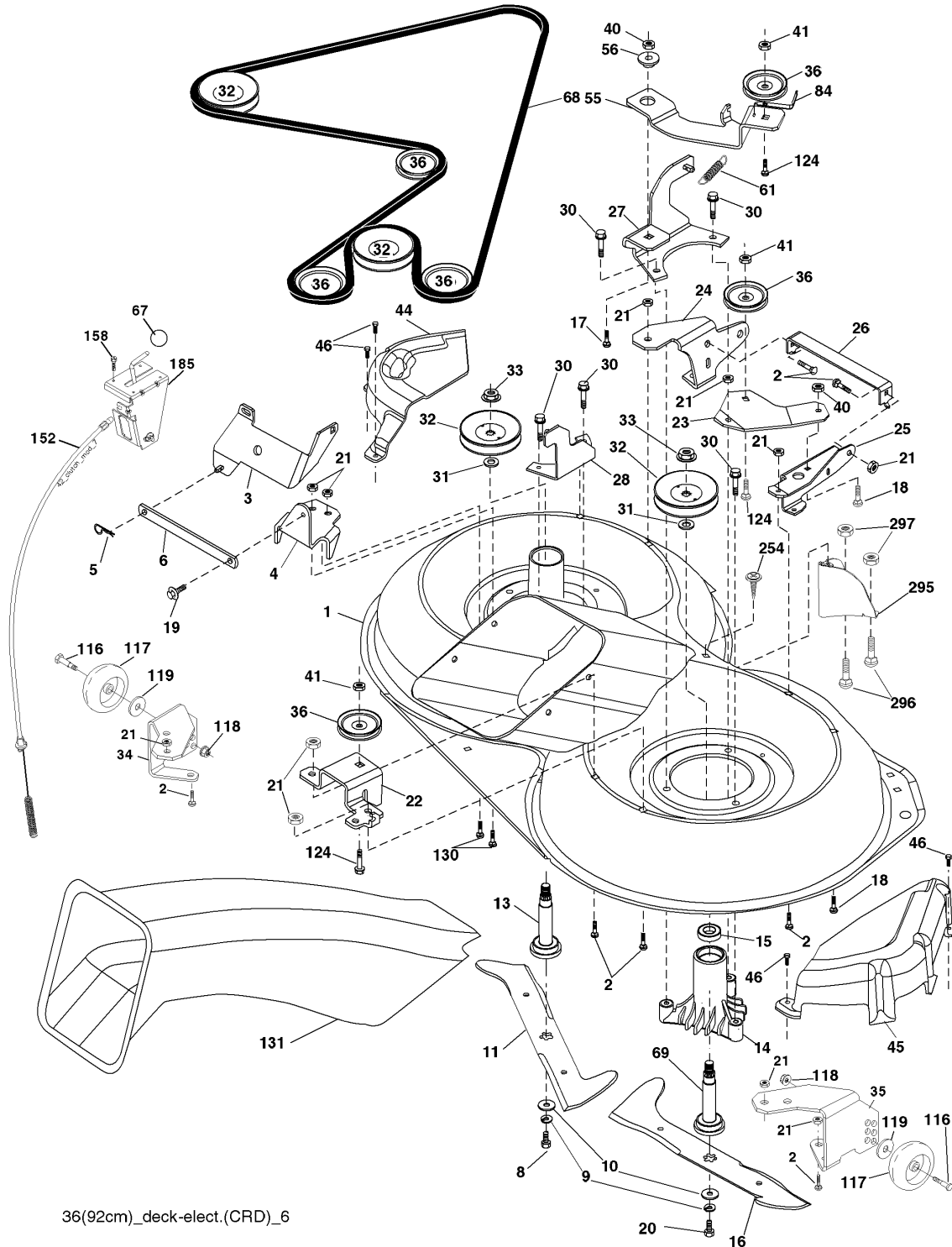
**TRACTOR - - MODEL NO. LT2217CMA (96061019703), PRODUCT NO. 960 61 01-97  
BAGGER**



Bagger Asy (CRD)\_14\_r1

| Référence | Numéro de Pièce | Description             | Remarque | QTÉ Kit équipement |
|-----------|-----------------|-------------------------|----------|--------------------|
| 1         | 532 16 52-49    | BARRE                   |          | 1                  |
| 3         | 532 12 39-76    | ECROU                   |          | 1                  |
| 4         | 532 16 99-16    | POIGNÉE                 |          | 1                  |
| 5         | 874 98 10-24    | VIS                     |          | 1                  |
| 6         | 874 98 10-32    | VIS                     |          | 1                  |
| 7         | 873 40 10-00    | ÉCROU                   |          | 1                  |
| 8         | 532 18 13-54    | CARTER                  |          | 1                  |
| 9         | 872 14 04-18    | BOULON                  |          | 1                  |
| 10        | 532 18 12-82    | TUBE                    |          | 1                  |
| 11        | 532 16 57-19    | BARRE                   |          | 1                  |
| 12        | 532 18 88-48    | SUPPORT                 |          | 1                  |
| 13        | 874 76 06-12    | BOULON                  |          | 1                  |
| 14        | 874 52 06-36    | BOULON                  |          | 1                  |
| 15        | 532 12 46-70    | CIRCLIPS                |          | 1                  |
| 16        | 873 90 06-00    | ÉCROU                   |          | 1                  |
| 17        | 872 14 05-06    | BOULON                  |          | 1                  |
| 19        | 873 90 05-00    | ÉCROU                   |          | 1                  |
| 20        | 532 18 88-47    | SUPPORT                 |          | 1                  |
| 21        | 532 40 61-80    | SAC                     |          | 1                  |
| 22        | 532 16 57-81    | COUVERCLE               |          | 1                  |
| 24        | 532 16 57-83    | CADRE                   |          | 1                  |
| 25        | 532 19 37-05    | TUBE                    |          | 1                  |
| 28        | 532 16 57-87    | POIGNÉE                 |          | 1                  |
| 31        | 532 16 94-84    | GOUPILLE                |          | 1                  |
| 32        | 532 12 68-75    | RIVET                   |          | 1                  |
| 33        | 532 16 55-71    | BOUCHON                 |          | 1                  |
| 34        | 532 16 55-70    | POIGNÉE                 |          | 1                  |
| 35        | 532 16 55-72    | GOUPILLE                |          | 1                  |
| 36        | 819 13 20-12    | RONDELLE                |          | 1                  |
| 37        | 532 17 54-01    | BOUCHON                 |          | 1                  |
| 38        | 872 01 05-20    | BOULON                  |          | 1                  |
| 39        | 532 41 62-57    | JOINT                   |          | 1                  |
| 41        | 532 16 96-83    | SUPPORT                 |          | 1                  |
| 43        | 532 17 40-83    | BOUCHON                 |          | 1                  |
| 46        | 872 11 05-10    | BOULON                  |          | 1                  |
| 47        | 532 19 37-04    | TUBE                    |          | 1                  |
| 49        | 532 19 33-05    | BARRE                   |          | 1                  |
| 50        | 873 80 05-00    | LOCK NUT                |          | 1                  |
| 51        | 532 19 99-03    | CLIQUET DE VERROUILLAGE |          | 1                  |
| 53        | 873 51 04-00    | ÉCROU                   |          | 1                  |
| 54        | 872 14 04-06    | BOULON                  |          | 1                  |

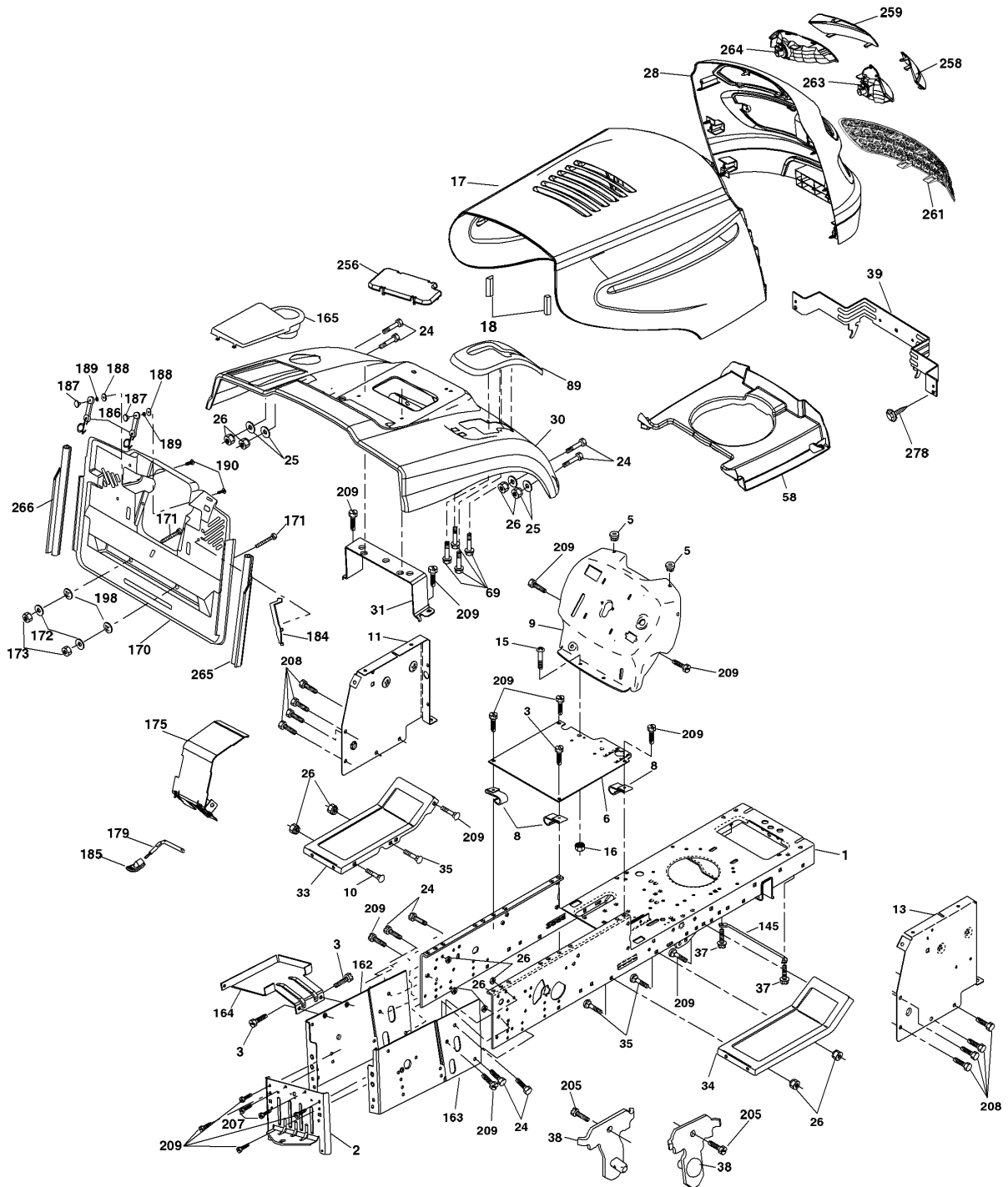
TRACTOR - - MODEL NO. LT2217CMA (96061019703), PRODUCT NO. 960 61 01-97  
MOWER



36(92cm)\_deck-elect.(CRD)\_6

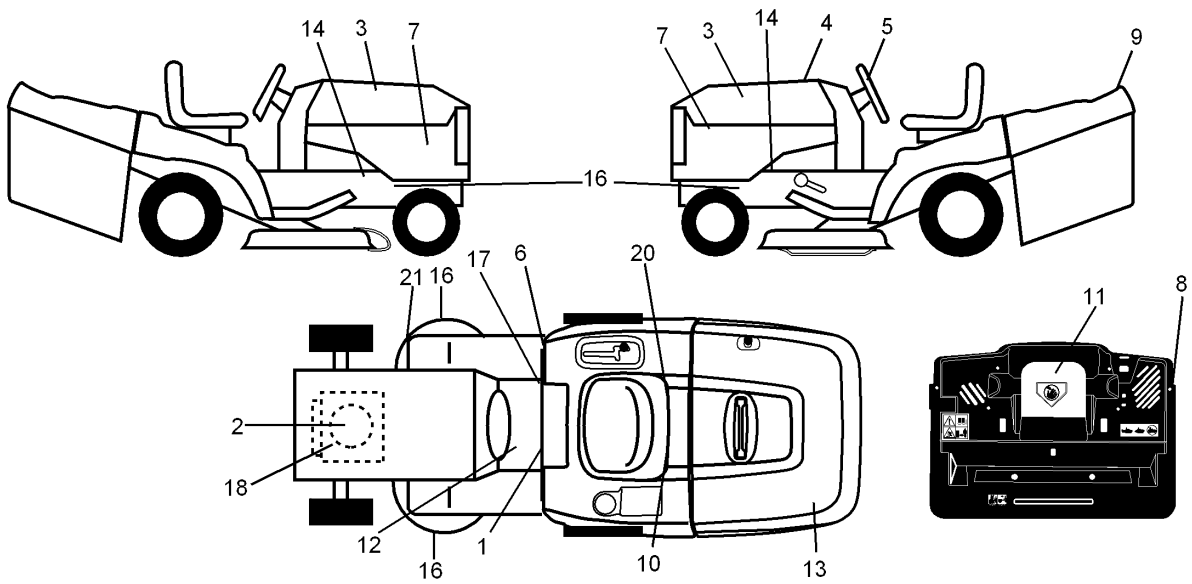
| Référence | Numéro de Pièce | Description           | Remarque | QTÉ Kit équipement |
|-----------|-----------------|-----------------------|----------|--------------------|
| 1         | 532 40 01-08    | CARTER                |          | 1                  |
| 2         | 872 14 05-06    | BOULON                |          | 1                  |
| 3         | 532 16 55-69    | SUPPORT               |          | 1                  |
| 4         | 532 16 55-58    | SUPPORT               |          | 1                  |
| 5         | 532 12 46-70    | CIRCLIPS              |          | 1                  |
| 6         | 532 16 55-57    | BARRE                 |          | 1                  |
| 8         | 532 18 17-12    | BOULON                |          | 1                  |
| 9         | 810 03 06-00    | RONDELLE              |          | 1                  |
| 10        | 532 14 02-96    | RONDELLE              |          | 1                  |
| 11        | 532 18 63-85    | RIDE ON BLADE         |          | 1                  |
| 13        | 532 13 76-45    | ARBRE                 |          | 1                  |
| 14        | 532 12 87-74    | CARTER                |          | 1                  |
| 15        | 532 11 04-85    | ROULEMENT             |          | 1                  |
| 16        | 532 18 63-86    | RIDE ON BLADE         |          | 1                  |
| 17        | 872 14 06-10    | BOULON                |          | 1                  |
| 18        | 872 11 06-06    | BOULON                |          | 1                  |
| 19        | 532 13 28-27    | BOULON                |          | 1                  |
| 20        | 532 18 17-13    | BOULON                |          | 1                  |
| 21        | 873 68 05-00    | ÉCROU                 |          | 1                  |
| 22        | 532 19 95-90    | SUPPORT               |          | 1                  |
| 23        | 532 16 54-46    | PLAQUE                |          | 1                  |
| 24        | 532 16 52-42    | SUPPORT               |          | 1                  |
| 25        | 532 16 52-44    | SUPPORT               |          | 1                  |
| 26        | 532 40 01-10    | SUPPORT               |          | 1                  |
| 27        | 532 16 55-68    | SUPPORT               |          | 1                  |
| 28        | 532 16 55-67    | SUPPORT               |          | 1                  |
| 30        | 532 17 39-84    | VIS                   |          | 1                  |
| 31        | 532 18 76-90    | RONDELLE              |          | 1                  |
| 32        | 532 15 35-32    | POULIE                |          | 1                  |
| 33        | 532 40 02-34    | ÉCROU                 |          | 1                  |
| 34        | 532 40 01-07    | SUPPORT               |          | 1                  |
| 35        | 532 40 01-06    | SUPPORT               |          | 1                  |
| 36        | 532 14 67-63    | POULIE                |          | 1                  |
| 40        | 873 68 06-00    | ÉCROU                 |          | 1                  |
| 41        | 873 90 06-00    | ÉCROU                 |          | 1                  |
| 44        | 532 17 55-38    | CARTER                |          | 1                  |
| 45        | 532 17 55-39    | CARTER                |          | 1                  |
| 46        | 532 13 77-29    | VIS                   |          | 1                  |
| 55        | 532 19 94-98    | BRAS                  |          | 1                  |
| 56        | 532 16 57-23    | RONDELLE D'ESPACEMENT |          | 1                  |
| 61        | 532 19 94-86    | RESSORT               |          | 1                  |
| 67        | 532 10 69-32    | BOUTON                |          | 1                  |
| 68        | 532 40 20-08    | COURROIE              |          | 1                  |
| 69        | 532 16 54-82    | ARBRE                 |          | 1                  |
| 84        | 532 15 60-85    | GUIDE DE COURROIE     |          | 1                  |
| 116       | 532 19 34-06    | BOULON                |          | 1                  |
| 117       | 532 17 48-73    | ROUE                  |          | 1                  |
| 118       | 873 90 06-00    | ÉCROU                 |          | 1                  |
| 119       | 819 13 20-12    | RONDELLE              |          | 1                  |
| 124       | 872 11 06-12    | BOULON                |          | 1                  |
| 130       | 872 11 05-06    | BOULON                |          | 1                  |
| 131       | 532 16 56-61    | TUBE                  |          | 1                  |
| 152       | 532 17 60-74    | CÂBLE                 |          | 1                  |
| 158       | 817 72 04-08    | VIS                   |          | 1                  |
| 185       | 532 18 82-34    | SUPPORT               |          | 1                  |
| 254       | 817 00 06-16    | VIS                   |          | 1                  |
| 295       | 532 41 21-71    | PLAQUE                |          | 1                  |
| 296       | 872 14 04-06    | BOULON                |          | 1                  |
| 297       | 873 93 04-00    | ÉCROU                 |          | 1                  |
| -         | 532 18 18-57    | CARTER                |          | 1                  |
| -         | 532 18 18-58    | CARTER                |          | 1                  |
| -         | 532 41 37-11    | PLATEAU DE COUPE      |          | 1                  |

**TRACTOR - - MODEL NO. LT2217CMA (96061019703), PRODUCT NO. 960 61 01-97**  
**CHASSIS AND ENCLOSURES**



| Référence | Numéro de Pièce | Description                 | Remarque | QTÉ Kit équipement |
|-----------|-----------------|-----------------------------|----------|--------------------|
| 1         | 532 17 46-20    | CHÂSSIS                     |          | 1                  |
| 2         | 532 18 03-84    | BARRE                       |          | 1                  |
| 3         | 817 06 06-12    | VIS                         |          | 1                  |
| 5         | 532 15 52-72    | AMORTISSEUR                 |          | 1                  |
| 6         | 532 18 44-19    | PLAQUE                      |          | 1                  |
| 8         | 532 12 64-71    | COLLIER DE SERRAGE          |          | 1                  |
| 9         | 532 19 46-88    | PLAQUE                      |          | 1                  |
| 10        | 872 14 06-08    | BOULON                      |          | 1                  |
| 11        | 532 17 49-96    | PLAQUE                      |          | 1                  |
| 13        | 532 17 52-55    | PANNEAU                     |          | 1                  |
| 15        | 874 18 05-12    | VIS                         |          | 1                  |
| 16        | 873 51 05-00    | ÉCROU                       |          | 1                  |
| 17        | 532 19 47-57    | CAPOT                       |          | 1                  |
| 18        | 532 18 49-21    | CAPOT PROTECTION CARTER     |          | 1                  |
| 24        | 874 78 06-16    | BOULON                      |          | 1                  |
| 25        | 819 13 13-12    | RONDELLE                    |          | 1                  |
| 26        | 873 80 06-00    | ÉCROU                       |          | 1                  |
| 28        | 532 19 29-15    | CAPOT                       |          | 1                  |
| 30        | 532 19 73-44    | PROTECTEUR                  |          | 1                  |
| 31        | 532 16 51-56    | SUPPORT                     |          | 1                  |
| 33        | 532 18 11-93    | PLAQUE                      |          | 1                  |
| 34        | 532 18 11-94    | PLAQUE                      |          | 1                  |
| 35        | 872 11 06-06    | BOULON                      |          | 1                  |
| 37        | 817 49 05-08    | VIS                         |          | 1                  |
| 38        | 532 18 17-48    | SUPPORT                     |          | 1                  |
| 39        | 532 40 78-07    | SUPPORT                     |          | 1                  |
| 58        | 532 18 43-22    | CONDUIT                     |          | 1                  |
| 69        | 532 14 24-32    | VIS                         |          | 1                  |
| 89        | 532 19 73-66    | SUPPORT                     |          | 1                  |
| 145       | 532 40 91-67    | BARRE                       |          | 1                  |
| 162       | 532 18 03-82    | SUPPORT                     |          | 1                  |
| 163       | 532 18 03-83    | SUPPORT                     |          | 1                  |
| 164       | 532 16 56-05    | SUPPORT                     |          | 1                  |
| 165       | 532 18 13-56    | CARTER                      |          | 1                  |
| 170       | 532 19 94-88    | CARTER                      |          | 1                  |
| 171       | 872 14 06-20    | BOULON                      |          | 1                  |
| 172       | 819 13 20-16    | RONDELLE                    |          | 1                  |
| 173       | 873 51 06-00    | ÉCROU                       |          | 1                  |
| 175       | 532 18 82-03    | PLAQUE                      |          | 1                  |
| 179       | 532 18 82-02    | MAILLON                     |          | 1                  |
| 184       | 532 17 46-62    | SUPPORT                     |          | 1                  |
| 185       | 532 18 11-01    | BOUTON                      |          | 1                  |
| 186       | 532 16 07-93    | CLIQUET DE VERROUILLAGE     |          | 1                  |
| 187       | 532 12 50-04    | ÉCROU                       |          | 1                  |
| 188       | 819 06 12-16    | RONDELLE                    |          | 1                  |
| 189       | 810 07 10-00    | RONDELLE                    |          | 1                  |
| 190       | 871 08 10-10    | VIS                         |          | 1                  |
| 198       | 532 16 89-37    | RONDELLE                    |          | 1                  |
| 205       | 817 49 06-08    | VIS                         |          | 1                  |
| 207       | 817 67 05-08    | VIS                         |          | 1                  |
| 208       | 817 67 06-08    | VIS                         |          | 1                  |
| 209       | 817 00 06-12    | VIS                         |          | 1                  |
| 256       | 532 18 13-61    | CARTER                      |          | 1                  |
| 258       | 532 18 97-55    | LENTIL*RPL.PAR 532183835599 |          | 1                  |
| 259       | 532 18 97-54    | LENTIL*RPL.PAR 532183834599 |          | 1                  |
| 261       | 532 18 97-53    | INSERT GRILLE               |          | 1                  |
| 263       | 532 18 38-33    | BEZEL GRILLE RH             |          | 1                  |
| 264       | 532 18 38-32    | SUPPORT DE PHARE GAUCHE     |          | 1                  |
| 265       | 532 18 57-04    | JOINT                       |          | 1                  |
| 266       | 532 18 57-03    | JOINT                       |          | 1                  |
| 278       | 532 19 16-11    | VIS                         |          | 1                  |

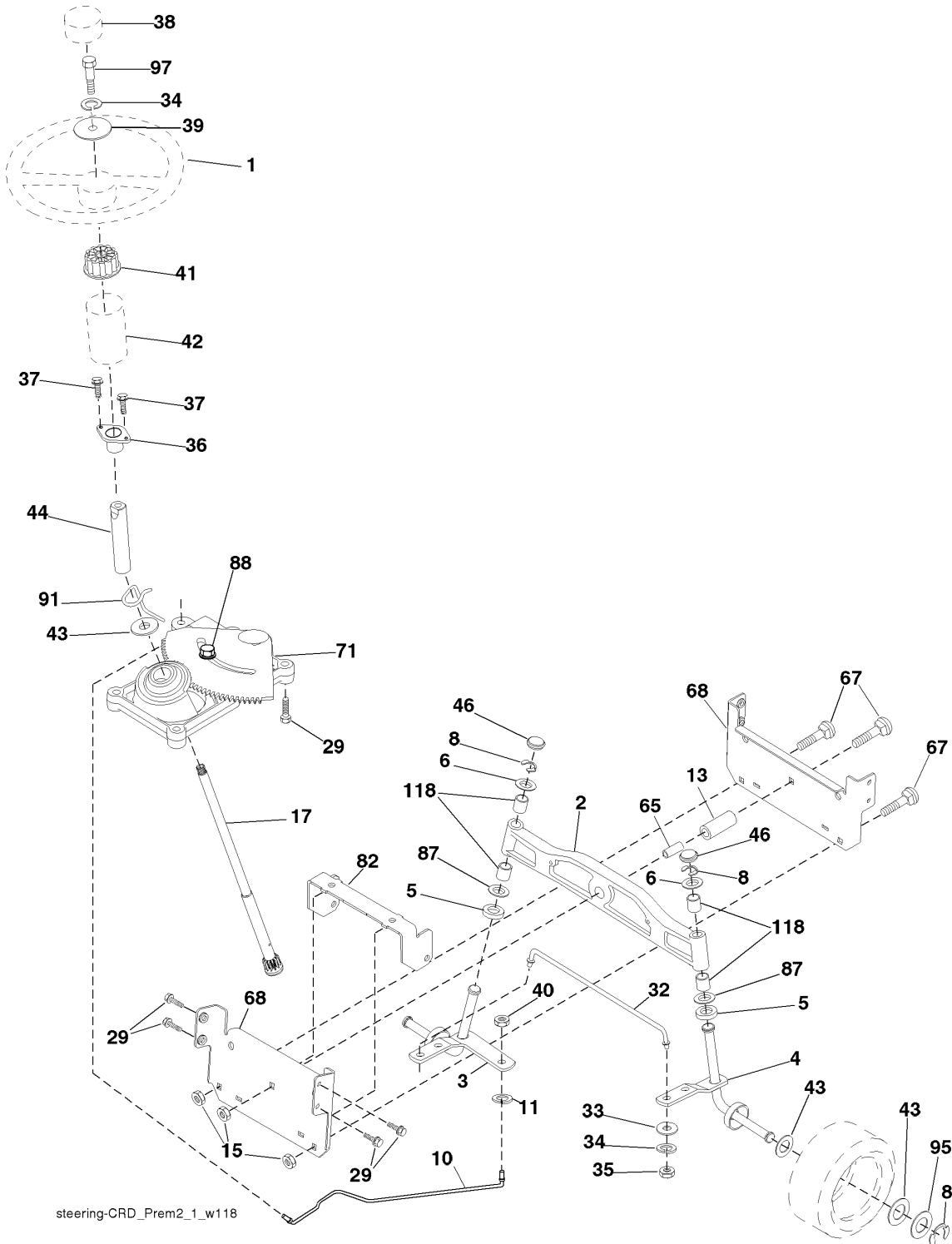
**TRACTOR - - MODEL NO. LT2217CMA (96061019703), PRODUCT NO. 960 61 01-97  
DECALS**





| Référence | Numéro de Pièce | Description          | Remarque | QTÉ Kit équipement |
|-----------|-----------------|----------------------|----------|--------------------|
| 1         | 532 40 03-89    | AUTOCOLLANT          |          | 1                  |
| 2         | 532 19 68-41    | DECAL                |          | 1                  |
| 3         | 532 18 95-53    | DECAL                |          | 1                  |
| 4         | 532 41 34-23    | DECAL                |          | 1                  |
| 5         | 532 18 57-73    | DECAL                |          | 1                  |
| 6         | 532 18 04-32    | DECAL                |          | 1                  |
| 7         | 532 40 85-35    | AUTOCOLLANT          |          | 1                  |
| 8         | 532 18 04-35    | DECAL                |          | 1                  |
| 9         | 532 18 39-30    | DECAL                |          | 1                  |
| 10        | 532 14 50-05    | DECAL                |          | 1                  |
| 11        | 532 18 21-66    | DECAL                |          | 1                  |
| 12        | 532 15 97-37    | DECAL                |          | 1                  |
| 13        | 532 18 39-31    | DECAL                |          | 1                  |
| 14        | 532 15 97-36    | DECAL                |          | 1                  |
| 16        | 532 19 68-42    | DECAL                |          | 1                  |
| 17        | 532 14 08-37    | DECAL                |          | 1                  |
| 18        | 532 40 91-51    | DECAL                |          | 1                  |
| 20        | 532 16 69-60    | DECAL                |          | 1                  |
| 21        | 532 16 62-86    | DECAL                |          | 1                  |
| -         | 532 13 83-11    | DECAL                |          | 1                  |
| -         | 532 18 10-90    | PLAQUE               |          | 1                  |
| -         | 532 18 10-91    | PLAQUE               |          | 1                  |
| -         | 532 40 84-34    | MANUEL D'UTILISATION |          | 1                  |

**TRACTOR - - MODEL NO. LT2217CMA (96061019703), PRODUCT NO. 960 61 01-97  
STEERING ASSEMBLY**

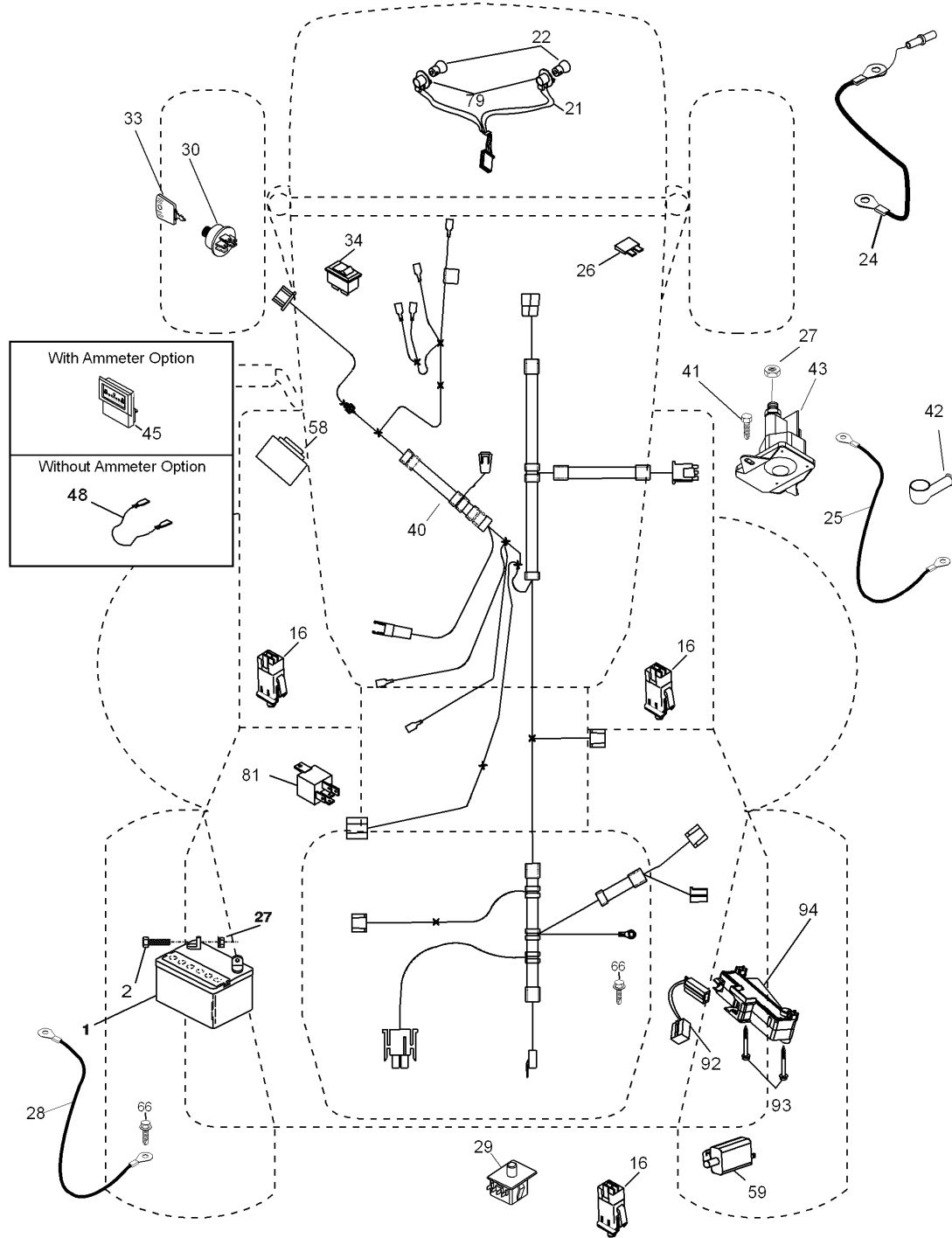


steering-CRD\_Prem2\_1\_w118

| Référence | Numéro de Pièce | Description           | Remarque | QTÉ Kit équipement |
|-----------|-----------------|-----------------------|----------|--------------------|
| 1         | 532 19 46-37    | VOLANT                |          | 1                  |
| 2         | 532 18 47-06    | ARBRE                 |          | 1                  |
| 3         | 532 16 98-40    | AXE                   |          | 1                  |
| 4         | 532 16 98-39    | AXE                   |          | 1                  |
| 5         | 532 12 49-31    | RONDELLE              |          | 1                  |
| 6         | 532 12 17-48    | RONDELLE              |          | 1                  |
| 8         | 812 00 00-29    | CIRCLIPS              |          | 1                  |
| 10        | 532 17 51-21    | BARRE                 |          | 1                  |
| 11        | 810 04 06-00    | RONDELLE              |          | 1                  |
| 13        | 532 13 65-18    | TUBE                  |          | 1                  |
| 15        | 532 14 52-12    | ÉCROU                 |          | 1                  |
| 17        | 532 19 07-53    | BARRE                 |          | 1                  |
| 29        | 817 00 06-12    | VIS                   |          | 1                  |
| 32        | 532 17 01-62    | BARRE                 |          | 1                  |
| 33        | 819 11 12-16    | RONDELLE              |          | 1                  |
| 34        | 810 04 05-00    | RONDELLE              |          | 1                  |
| 35        | 873 54 05-00    | ÉCROU                 |          | 1                  |
| 36        | 532 15 50-99    | BUSHING               |          | 1                  |
| 37        | 532 15 29-27    | VIS                   |          | 1                  |
| 38        | 532 19 46-03    | MOYEU                 |          | 1                  |
| 39        | 819 11 38-12    | RONDELLE              |          | 1                  |
| 40        | 873 54 06-00    | ÉCROU                 |          | 1                  |
| 41        | 532 18 67-37    | ADAPTATEUR            |          | 1                  |
| 42        | 532 16 96-33    | DOUILLE               |          | 1                  |
| 43        | 532 12 17-49    | RONDELLE              |          | 1                  |
| 44        | 532 19 07-52    | ARBRE                 |          | 1                  |
| 46        | 532 12 12-32    | ENJOLIVEUR            |          | 1                  |
| 65        | 532 41 47-36    | RONDELLE D'ESPACEMENT |          | 1                  |
| 67        | 872 11 06-18    | BOULON                |          | 1                  |
| 68        | 532 16 98-27    | ARBRE                 |          | 1                  |
| 71        | 532 17 51-46    | BOITIER DE DIRECTION  |          | 1                  |
| 82        | 532 19 99-78    | SUPPORT               |          | 1                  |
| 87        | 532 17 39-66    | RONDELLE              |          | 1                  |
| 88        | 532 17 51-18    | BOULON                |          | 1                  |
| 91        | 532 17 55-53    | RESSORT               |          | 1                  |
| 95        | 532 18 89-67    | RONDELLE              |          | 1                  |
| 97        | 874 78 05-64    | BOULON                |          | 1                  |
| 118       | 532 40 60-13    | ROULEMENT             |          | 1                  |

**TRACTOR - - MODEL NO. LT2217CMA (96061019703), PRODUCT NO. 960 61 01-97  
ELECTRICAL**

C01



| Référence | Numéro de Pièce | Description       | Remarque | QTÉ Kit équipement |
|-----------|-----------------|-------------------|----------|--------------------|
| 1         | 532 16 34-65    | BATTERIE          |          | 1                  |
| 2         | 874 76 04-12    | BOULON            |          | 1                  |
| 16        | 532 17 61-38    | INTERRUPTEUR      |          | 1                  |
| 21        | 532 18 37-59    | HARNAIS           |          | 1                  |
| 22        | 532 00 41-52    | AMPOULE           |          | 1                  |
| 24        | 532 12 47-80    | CÂBLE             |          | 1                  |
| 25        | 532 16 59-87    | CÂBLE             |          | 1                  |
| 26        | 532 17 51-58    | FUSIBLE           |          | 1                  |
| 27        | 873 51 04-00    | ÉCROU             |          | 1                  |
| 28        | 532 12 77-25    | CÂBLE             |          | 1                  |
| 29        | 532 19 27-49    | INTERRUPTEUR      |          | 1                  |
| 30        | 532 19 33-50    | BLOC ELECTRONIQUE |          | 1                  |
| 33        | 532 41 19-35    | TOUCHE            |          | 1                  |
| 34        | 532 11 07-12    | INTERRUPTEUR      |          | 1                  |
| 40        | 532 19 74-36    | CABLE ASSEMBLE    |          | 1                  |
| 41        | 871 11 04-08    | BOULON            |          | 1                  |
| 42        | 532 13 15-63    | CARTER            |          | 1                  |
| 43        | 532 19 25-07    | SOLÉNOÏDE         |          | 1                  |
| 48        | 532 14 08-44    | ADAPTATEUR        |          | 1                  |
| 58        | 532 16 94-19    | SIRENE            |          | 1                  |
| 59        | 532 18 03-79    | INTERRUPTEUR      |          | 1                  |
| 66        | 817 49 06-08    | VIS               |          | 1                  |
| 79        | 532 17 52-42    | HOLDER            |          | 1                  |
| 81        | 532 10 97-48    | RELAIS            |          | 1                  |
| 92        | 532 19 66-15    | CABLE ASSEMBLE    |          | 1                  |
| 93        | 532 19 25-40    | VIS               |          | 1                  |
| 94        | 532 19 18-34    | MODULE            |          | 1                  |



## ENTRAINEMENT

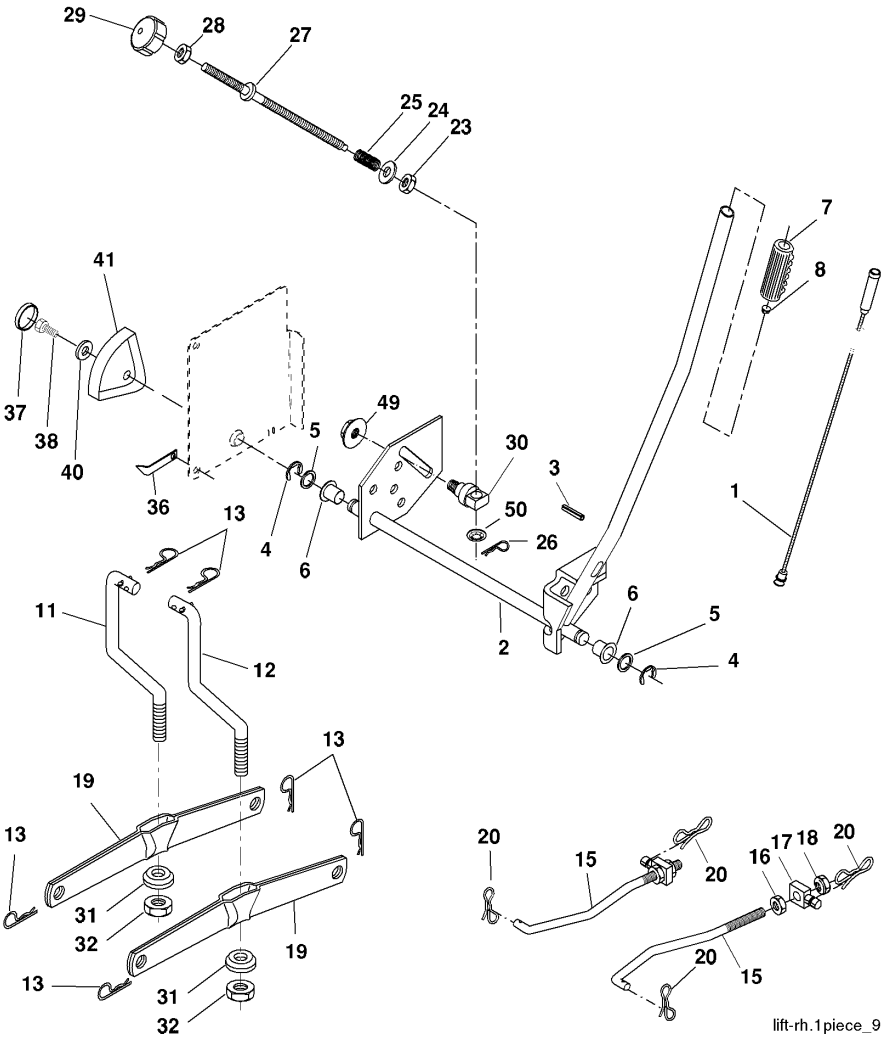
LT 2217 CMA, 96061019703, 2008-02

| Référence | Numéro de Pièce | Description           | Remarque | QTÉ Kit équipement |
|-----------|-----------------|-----------------------|----------|--------------------|
| 8         | 532 19 27-06    | LEVIER                |          | 1                  |
| 9         | 532 40 85-79    | EMBRAYAGE             |          | 1                  |
| 10        | 876 02 04-16    | GOUPILLE FENDUE       |          | 1                  |
| 14        | 810 04 04-00    | RONDELLE              |          | 1                  |
| 15        | 874 49 05-44    | VIS                   |          | 1                  |
| 16        | 873 80 05-00    | LOCK NUT              |          | 1                  |
| 19        | 873 80 06-00    | ÉCROU                 |          | 1                  |
| 21        | 532 13 05-64    | POIGNÉE               |          | 1                  |
| 22        | 532 17 56-07    | BARRE                 |          | 1                  |
| 24        | 873 35 06-00    | ÉCROU                 |          | 1                  |
| 25        | 532 19 20-36    | RESSORT               |          | 1                  |
| 27        | 876 02 04-12    | GOUPILLE FENDUE       |          | 1                  |
| 28        | 532 17 57-65    | ARBRE                 |          | 1                  |
| 29        | 532 07 16-73    | CARTER                |          | 1                  |
| 30        | 532 16 95-92    | SUPPORT               |          | 1                  |
| 34        | 532 17 55-78    | ARBRE                 |          | 1                  |
| 35        | 532 12 01-83    | ROULEMENT             |          | 1                  |
| 36        | 819 21 16-16    | RONDELLE              |          | 1                  |
| 37        | 532 12 49-63    | GOUPILLE              |          | 1                  |
| 38        | 532 16 59-36    | POULIE                |          | 1                  |
| 39        | 874 76 06-44    | BOULON                |          | 1                  |
| 40        | 532 12 49-65    | RONDELLE D'ESPACEMENT |          | 1                  |
| 42        | 819 13 13-12    | RONDELLE              |          | 1                  |
| 43        | 819 11 10-12    | RONDELLE              |          | 1                  |
| 47        | 532 12 77-83    | POULIE                |          | 1                  |
| 48        | 532 15 44-07    | GUIDE                 |          | 1                  |
| 49        | 532 12 32-05    | GUIDE DE COURROIE     |          | 1                  |
| 50        | 872 11 06-12    | BOULON                |          | 1                  |
| 51        | 873 68 06-00    | ÉCROU                 |          | 1                  |
| 52        | 873 68 05-00    | ÉCROU                 |          | 1                  |
| 53        | 532 19 96-52    | MAILLON               |          | 1                  |
| 55        | 532 10 57-09    | RESSORT               |          | 1                  |
| 56        | 817 06 06-20    | VIS                   |          | 1                  |
| 57        | 532 17 01-40    | COURROIE              |          | 1                  |
| 62        | 532 12 48-72    | CAOUTCHOUC DE PÉDALE  |          | 1                  |
| 65        | 810 04 07-00    | RONDELLE              |          | 1                  |
| 66        | 532 15 47-78    | TENDEUR DE COURRDIE   |          | 1                  |
| 71        | 532 16 91-83    | BARRE                 |          | 1                  |
| 73        | 532 16 91-82    | SUPPORT               |          | 1                  |
| 74        | 532 13 70-57    | RONDELLE D'ESPACEMENT |          | 1                  |
| 75        | 532 12 17-49    | RONDELLE              |          | 1                  |
| 76        | 812 00 00-01    | CIRCLIPS              |          | 1                  |
| 77        | 532 12 35-83    | TOUCHE                |          | 1                  |
| 78        | 532 12 17-48    | RONDELLE              |          | 1                  |
| 81        | 532 17 00-06    | ARBRE                 |          | 1                  |
| 82        | 532 16 57-11    | RESSORT               |          | 1                  |
| 83        | 819 17 12-16    | RONDELLE              |          | 1                  |
| 84        | 532 17 00-07    | MAILLON               |          | 1                  |
| 95        | 532 17 00-15    | MAILLON               |          | 1                  |
| 96        | 532 12 47-88    | CIRCLIPS              |          | 1                  |
| 112       | 819 09 12-10    | RONDELLE              |          | 1                  |
| 120       | 873 90 06-00    | ÉCROU                 |          | 1                  |
| 150       | 532 16 58-50    | DOUILLE               |          | 1                  |
| 151       | 819 13 32-10    | RONDELLE              |          | 1                  |
| 156       | 532 16 60-02    | RONDELLE              |          | 1                  |
| 158       | 532 16 55-89    | SUPPORT               |          | 1                  |
| 159       | 532 18 39-00    | LEVIER                |          | 1                  |
| 161       | 872 14 04-06    | BOULON                |          | 1                  |
| 162       | 873 68 04-00    | ÉCROU                 |          | 1                  |
| 163       | 874 78 04-16    | BOULON                |          | 1                  |
| 165       | 532 16 56-23    | SUPPORT               |          | 1                  |
| 166       | 817 49 05-10    | VIS                   |          | 1                  |
| 167       | 532 16 55-88    | SUPPORT               |          | 1                  |

| Référence | Numéro de Pièce | Description           | Remarque | QTÉ Kit équipement |
|-----------|-----------------|-----------------------|----------|--------------------|
| 168       | 532 16 54-92    | BOULON                |          | 1                  |
| 169       | 532 16 55-80    | SUPPORT               |          | 1                  |
| 171       | 817 49 06-08    | VIS                   |          | 1                  |
| 172       | 532 17 02-71    | MAILLON               |          | 1                  |
| 177       | 532 16 59-32    | HOLDER                |          | 1                  |
| 181       | 532 18 02-11    | SUPPORT               |          | 1                  |
| 182       | 532 18 26-82    | GUIDE DE COURROIE     |          | 1                  |
| 183       | 532 19 95-32    | POULIE                |          | 1                  |
| 185       | 532 17 00-08    | MAILLON               |          | 1                  |
| 186       | 532 16 56-14    | MOYEU                 |          | 1                  |
| 187       | 817 58 05-20    | BOULON                |          | 1                  |
| 197       | 532 16 96-13    | DOUILLE               |          | 1                  |
| 199       | 532 16 96-12    | VIS                   |          | 1                  |
| 200       | 872 14 05-08    | BOULON                |          | 1                  |
| 203       | 871 17 07-80    | BOULON                |          | 1                  |
| 207       | 532 16 98-45    | RONDELLE              |          | 1                  |
| 214       | 532 17 56-09    | LEVIER                |          | 1                  |
| 215       | 532 17 56-52    | BARRE                 |          | 1                  |
| 252       | 819 13 16-16    | RONDELLE              |          | 1                  |
| 253       | 532 17 50-28    | SUPPORT               |          | 1                  |
| 254       | 817 00 06-16    | VIS                   |          | 1                  |
| 255       | 532 17 56-08    | ARBRE                 |          | 1                  |
| 258       | 532 17 80-62    | COLLIER DE SERRAGE    |          | 1                  |
| 259       | 532 18 02-12    | SUPPORT               |          | 1                  |
| 261       | 532 13 14-94    | POULIE                |          | 1                  |
| 262       | 872 11 06-22    | BOULON                |          | 1                  |
| 263       | 817 00 06-12    | VIS                   |          | 1                  |
| 264       | 532 19 76-08    | SUPPORT               |          | 1                  |
| 265       | 532 40 46-07    | RONDELLE D'ESPACEMENT |          | 1                  |
| 266       | 532 18 20-61    | PROTECTEUR            |          | 1                  |
| 268       | 532 18 24-02    | PROTECTEUR            |          | 1                  |
| 275       | 819 13 16-14    | RONDELLE              |          | 1                  |
| 292       | 532 40 02-71    | RONDELLE D'ESPACEMENT |          | 1                  |
| 293       | 872 14 06-28    | BOULON                |          | 1                  |
| 294       | 532 19 70-33    | ÉCROU                 |          | 1                  |
| 295       | 532 17 91-14    | POULIE                |          | 1                  |



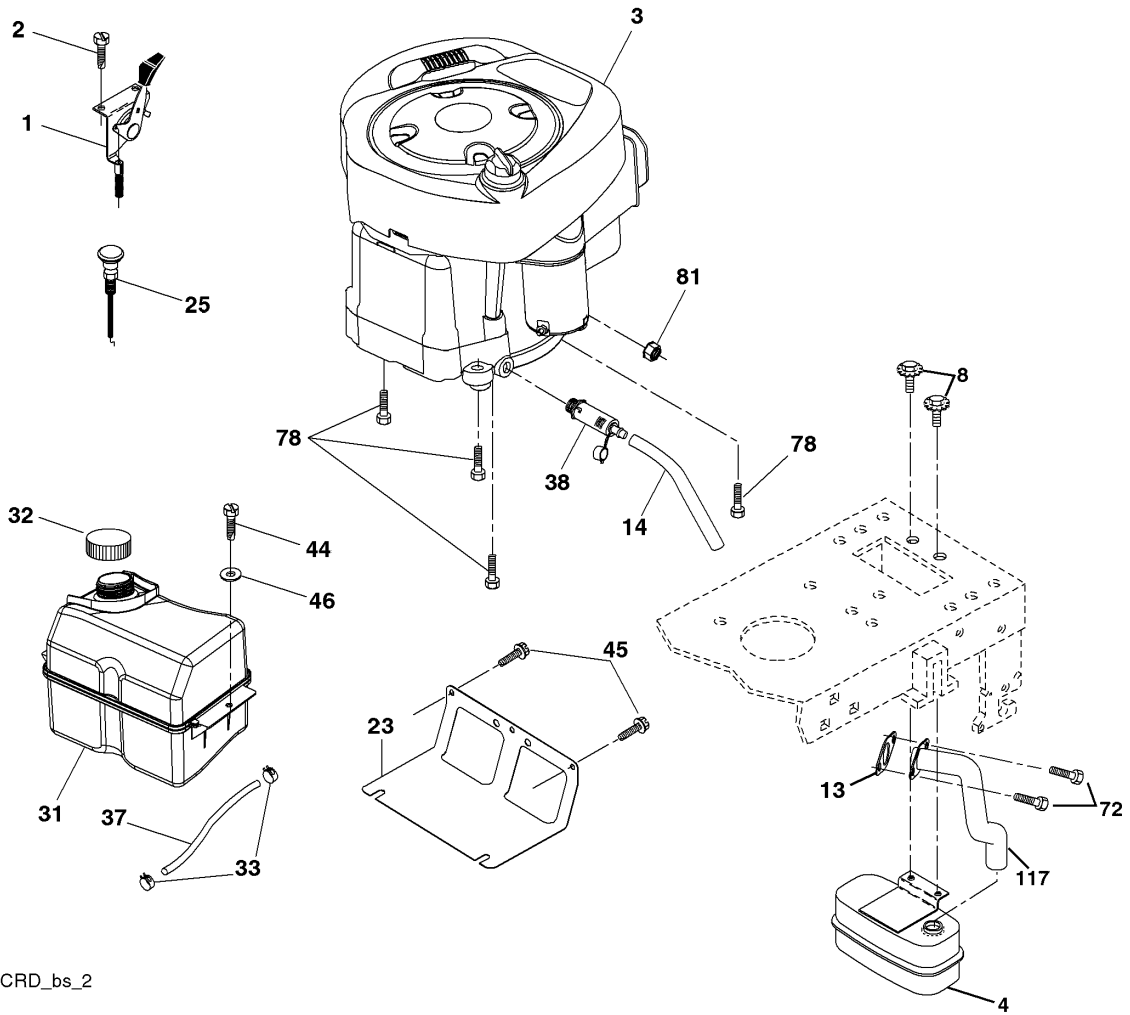
TRACTOR - - MODEL NO. LT2217CMA (96061019703), PRODUCT NO. 960 61 01-97  
MOWER LIFT



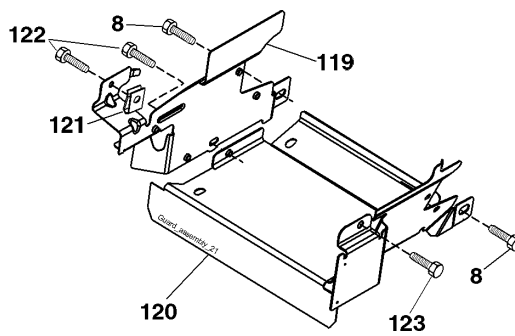
LEVAGE DE TONDEUSE / LEVAGE DE L'UNITÉ DE COUPE LT 2217 CMA, 96061019703, 2008-02

| Référence | Numéro de Pièce | Description      | Remarque | QTÉ Kit équipement |
|-----------|-----------------|------------------|----------|--------------------|
| 1         | 532 19 84-17    | RESSORT          |          | 1                  |
| 2         | 532 19 80-70    | ARBRE            |          | 1                  |
| 3         | 532 18 88-22    | GOUPILLE         |          | 1                  |
| 4         | 812 00 00-02    | CIRCLIPS         |          | 1                  |
| 5         | 819 21 16-21    | RONDELLE         |          | 1                  |
| 6         | 532 12 01-83    | ROULEMENT        |          | 1                  |
| 7         | 532 12 56-31    | POIGNÉE          |          | 1                  |
| 8         | 532 12 45-26    | BOUTON           |          | 1                  |
| 11        | 532 16 58-29    | BARRE            |          | 1                  |
| 12        | 532 16 58-31    | BARRE            |          | 1                  |
| 13        | 532 12 46-70    | CIRCLIPS         |          | 1                  |
| 15        | 532 17 32-88    | MAILLON          |          | 1                  |
| 16        | 873 35 08-00    | ÉCROU            |          | 1                  |
| 17        | 532 17 56-89    | SUPPORT          |          | 1                  |
| 18        | 873 80 08-00    | ÉCROU            |          | 1                  |
| 19        | 532 13 98-68    | LEVIER           |          | 1                  |
| 20        | 532 19 42-09    | RESSORT          |          | 1                  |
| 23        | 532 11 08-07    | ÉCROU            |          | 1                  |
| 24        | 819 13 10-16    | RONDELLE         |          | 1                  |
| 25        | 532 12 48-74    | RESSORT          |          | 1                  |
| 26        | 532 16 94-84    | GOUPILLE         |          | 1                  |
| 27        | 532 12 69-71    | LEVIER           |          | 1                  |
| 28        | 873 35 06-00    | ÉCROU            |          | 1                  |
| 29        | 532 13 80-57    | BOUTON           |          | 1                  |
| 30        | 532 15 02-33    | PIECE DE REGLAGE |          | 1                  |
| 31        | 532 16 98-65    | ROULEMENT        |          | 1                  |
| 32        | 873 54 06-00    | ÉCROU            |          | 1                  |
| 36        | 532 15 50-97    | INDICATEUR       |          | 1                  |
| 37        | 532 12 39-35    | BOUCHON          |          | 1                  |
| 38        | 817 06 05-16    | VIS              |          | 1                  |
| 40        | 819 11 24-10    | RONDELLE         |          | 1                  |
| 41        | 532 12 39-34    | INDICATEUR       |          | 1                  |
| 49        | 532 14 52-12    | ÉCROU            |          | 1                  |
| 50        | 532 11 04-52    | ÉCROU            |          | 1                  |

**TRACTOR - - MODEL NO. LT2217CMA (96061019703), PRODUCT NO. 960 61 01-97  
ENGINE**



engine-CRD\_bs\_2



## MOTEUR

LT 2217 CMA, 96061019703, 2008-02

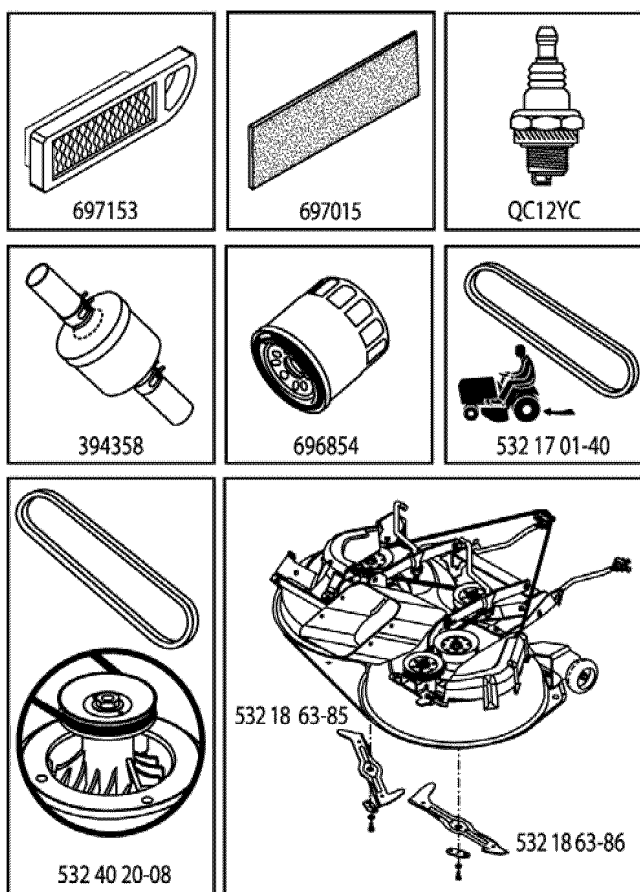
| Référence | Numéro de Pièce | Description                    | Remarque | QTÉ Kit équipement |
|-----------|-----------------|--------------------------------|----------|--------------------|
| 1         | 532 17 05-51    | GASREGLAGE                     |          | 1                  |
| 2         | 817 72 04-08    | VIS                            |          | 1                  |
| 4         | 532 18 86-55    | SILENCIEUX                     |          | 1                  |
| 8         | 532 17 18-77    | BOULON                         |          | 1                  |
| 13        | 532 16 52-91    | JOINT                          |          | 1                  |
| 14        | 532 14 84-56    | TUBE                           |          | 1                  |
| 23        | 532 16 98-37    | PROTECTEUR                     |          | 1                  |
| 25        | 532 19 06-95    | COMMMANDE STARTER              |          | 1                  |
| 29        | 532 13 71-80    | GRILLE A FLAMMECHES            |          | 1                  |
| 31        | 532 40 75-51    | RÉSERVOIR À ESSENCE            |          | 1                  |
| 32        | 532 19 77-25    | BOUCHON                        |          | 1                  |
| 33        | 532 12 34-87    | AGRAFE DE TUYAU                |          | 1                  |
| 37        | 532 13 70-40    | TUYAU                          |          | 1                  |
| 38        | 532 18 16-54    | BOUCHON                        |          | 1                  |
| 44        | 817 67 04-12    | VIS                            |          | 1                  |
| 45        | 817 00 06-12    | VIS                            |          | 1                  |
| 46        | 819 09 14-16    | RONDELLE                       |          | 1                  |
| 72        | 532 19 23-34    | VIS                            |          | 1                  |
| 78        | 817 06 06-20    | VIS                            |          | 1                  |
| 81        | 873 51 04-00    | ÉCROU                          |          | 1                  |
| 117       | 532 40 54-50    | EXHAUST.TUBE.B&S.28/31*SUBS/2* |          | 1                  |
| 119       | 532 19 97-68    | * LENKRAD                      |          | 1                  |
| 120       | 532 19 97-67    | PROTECTEUR                     |          | 1                  |
| 121       | 532 19 66-88    | ÉCROU                          |          | 1                  |
| 122       | 532 13 77-29    | VIS                            |          | 1                  |
| 123       | 817 67 05-08    | VIS                            |          | 1                  |

# ILLUSTRATED PARTS LIST

**MFG. ID NO. 96061019703**

**CUSTOMER CATALOG NO. LT2217CMA**

**PRODUCT NO. 960 61 01-97**



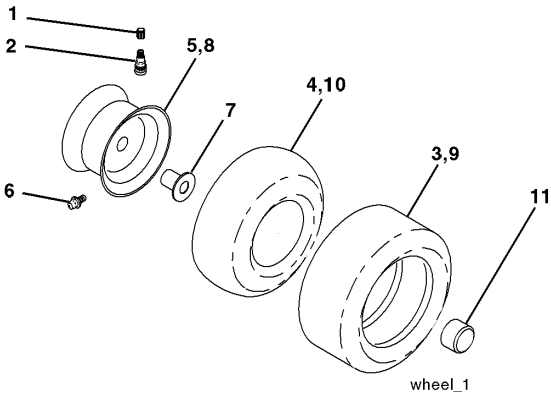
## PIECES UTILISEES FREQUEMENT

LT 2217 CMA, 96061019703, 2008-02

| Numéro de Pièce | Description     | Remarque | QTÉ Kit équipement |
|-----------------|-----------------|----------|--------------------|
| 394358          | FILTRE          |          | 1                  |
| 532 17 01-40    | COURROIE        |          | 1                  |
| 532 18 63-85    | RIDE ON BLADE   |          | 1                  |
| 532 18 63-86    | RIDE ON BLADE   |          | 1                  |
| 532 40 20-08    | COURROIE        |          | 1                  |
| 696854          | \LFILTER CTH170 |          | 1                  |
| 697015          | PRÉFILTRE       |          | 1                  |
| 697153          | FILTRE À AIR    |          | 1                  |

TRACTOR - - MODEL NO. LT2217CMA (96061019703), PRODUCT NO. 960 61 01-97

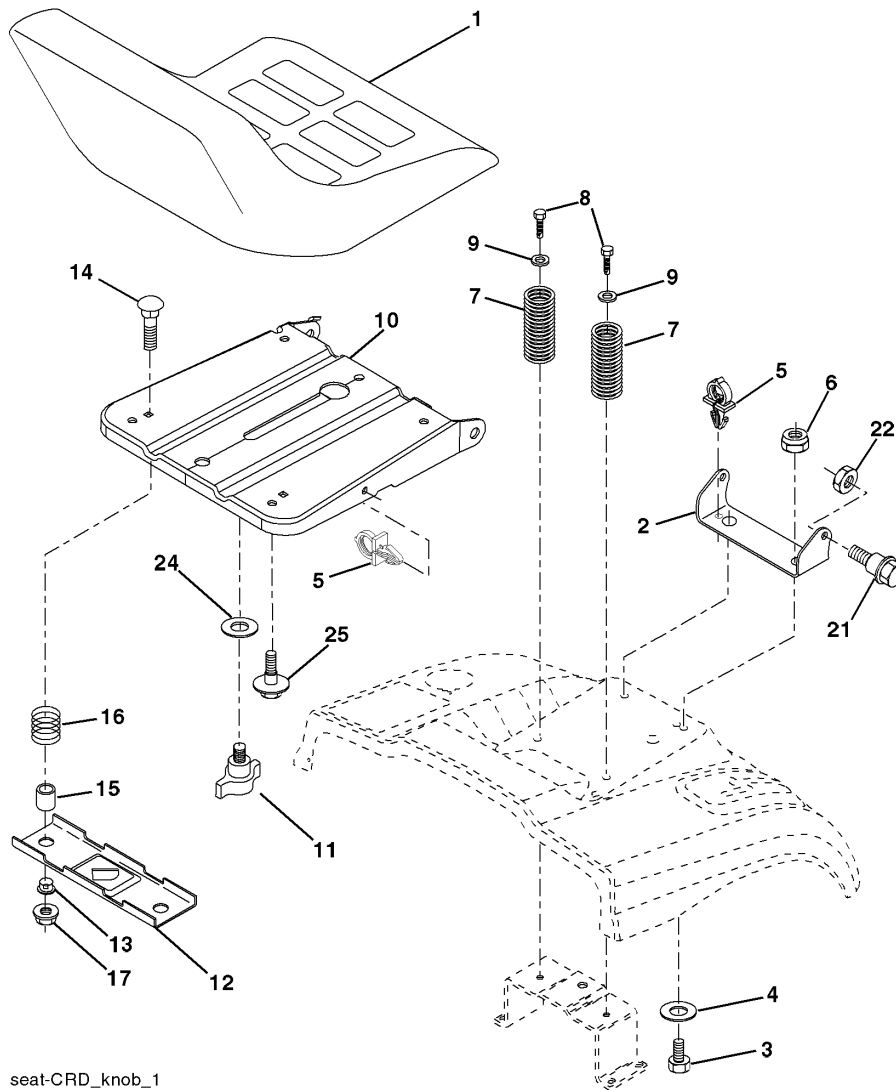
WHEELS & TIRES



| Référence | Numéro de Pièce | Description      | Remarque | QTÉ Kit équipement |
|-----------|-----------------|------------------|----------|--------------------|
| 1         | 532 05 91-92    | CHAPE            |          | 1                  |
| 2         | 532 06 51-39    | RACCORD          |          | 1                  |
| 3         | 532 10 62-22    | PNEU             |          | 1                  |
| 4         | 532 05 99-04    | TUYAU            |          | 1                  |
| 5         | 532 13 83-36    | PIGNON DE CHAÎNE |          | 1                  |
| 6         | 532 12 49-57    | RACCORD          |          | 1                  |
| 7         | 532 12 49-59    | ROULEMENT        |          | 1                  |
| 8         | 532 13 83-37    | PIGNON DE CHAÎNE |          | 1                  |
| 9         | 532 12 20-82    | PNEU             |          | 1                  |
| 10        | 532 12 49-26    | TUYAU            |          | 1                  |
| 11        | 532 17 50-39    | ENJOLIVEUR       |          | 1                  |
| -         | 532 14 43-34    | JOINT            |          | 1                  |



**TRACTOR - - MODEL NO. LT2217CMA (96061019703), PRODUCT NO. 960 61 01-97  
SEAT ASSEMBLY**



seat-CRD\_knob\_1

| Référence | Numéro de Pièce | Description           | Remarque | QTÉ Kit équipement |
|-----------|-----------------|-----------------------|----------|--------------------|
| 1         | 532 19 78-95    | SIÈGE                 |          | 1                  |
| 2         | 532 14 05-51    | SUPPORT               |          | 1                  |
| 3         | 871 11 06-16    | VIS                   |          | 1                  |
| 4         | 819 13 16-10    | RONDELLE              |          | 1                  |
| 5         | 532 14 50-06    | COLLIER DE SERRAGE    |          | 1                  |
| 6         | 873 80 06-00    | ÉCROU                 |          | 1                  |
| 7         | 532 12 41-81    | RESSORT               |          | 1                  |
| 8         | 817 00 06-16    | VIS                   |          | 1                  |
| 9         | 819 13 16-14    | RONDELLE              |          | 1                  |
| 10        | 532 19 55-30    | PLAQUE                |          | 1                  |
| 11        | 532 16 63-69    | ÉCROU PAPILLON        |          | 1                  |
| 12        | 532 17 46-48    | SUPPORT               |          | 1                  |
| 13        | 532 12 12-48    | DOUILLE               |          | 1                  |
| 14        | 872 05 04-12    | BOULON                |          | 1                  |
| 15        | 532 13 43-00    | RONDELLE D'ESPACEMENT |          | 1                  |
| 16        | 532 12 12-50    | RESSORT               |          | 1                  |
| 17        | 532 12 39-76    | ECROU                 |          | 1                  |
| 21        | 532 17 18-52    | BOULON                |          | 1                  |
| 22        | 873 80 05-00    | LOCK NUT              |          | 1                  |
| 24        | 819 17 19-12    | RONDELLE              |          | 1                  |
| 25        | 532 12 70-18    | BOULON                |          | 1                  |