

**LISTE DE PIECES
ILLUSTRATED PARTS LIST**



W721 PRO-J s/n 50001~

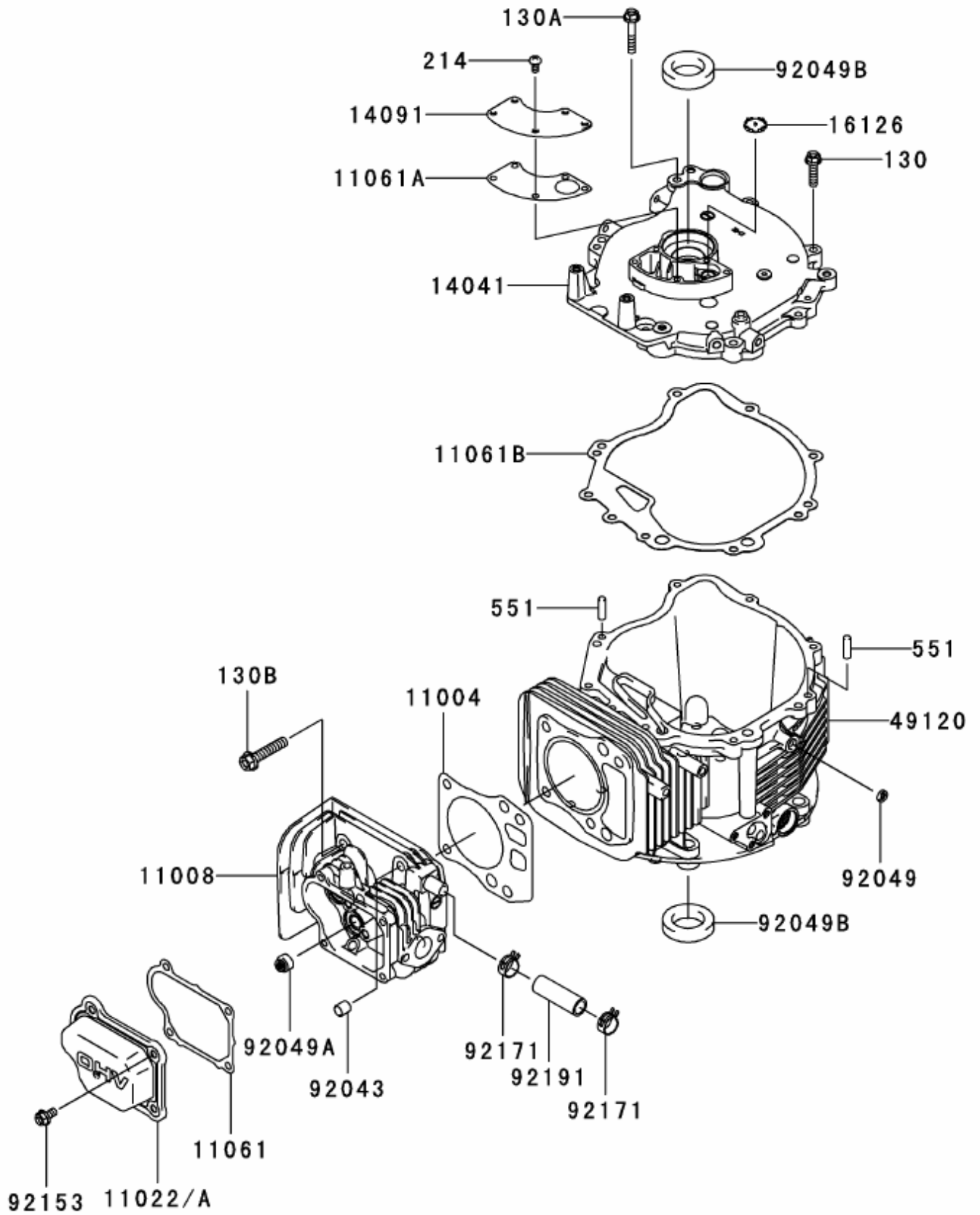
Phase 3

**TONDEUSE A GAZON
LAWN MOWER**



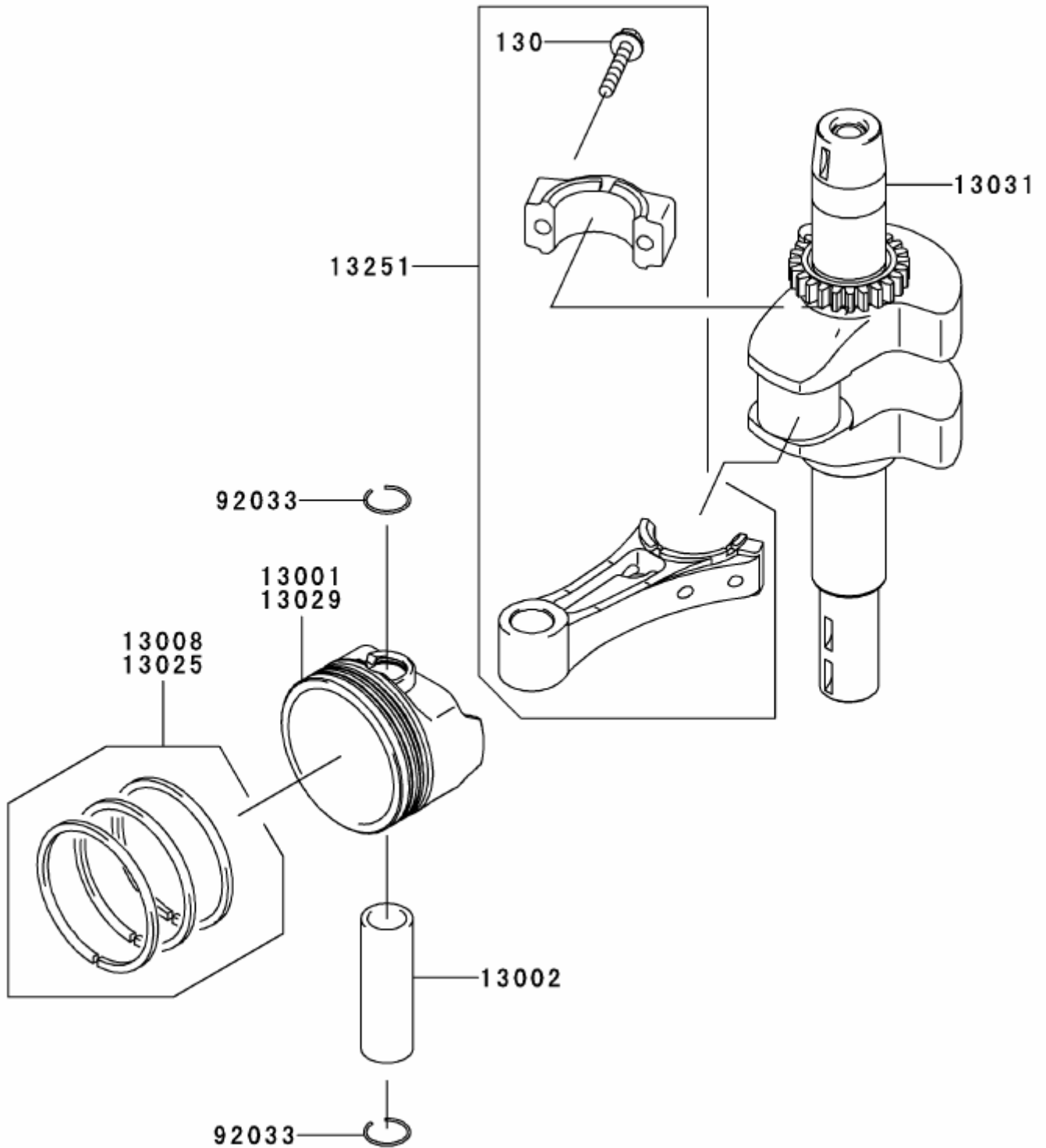
K01- CYLINDER / CRANKCASE BLOC MOTEUR / CULASSE

K01-L
ENGINE/MOTEUR



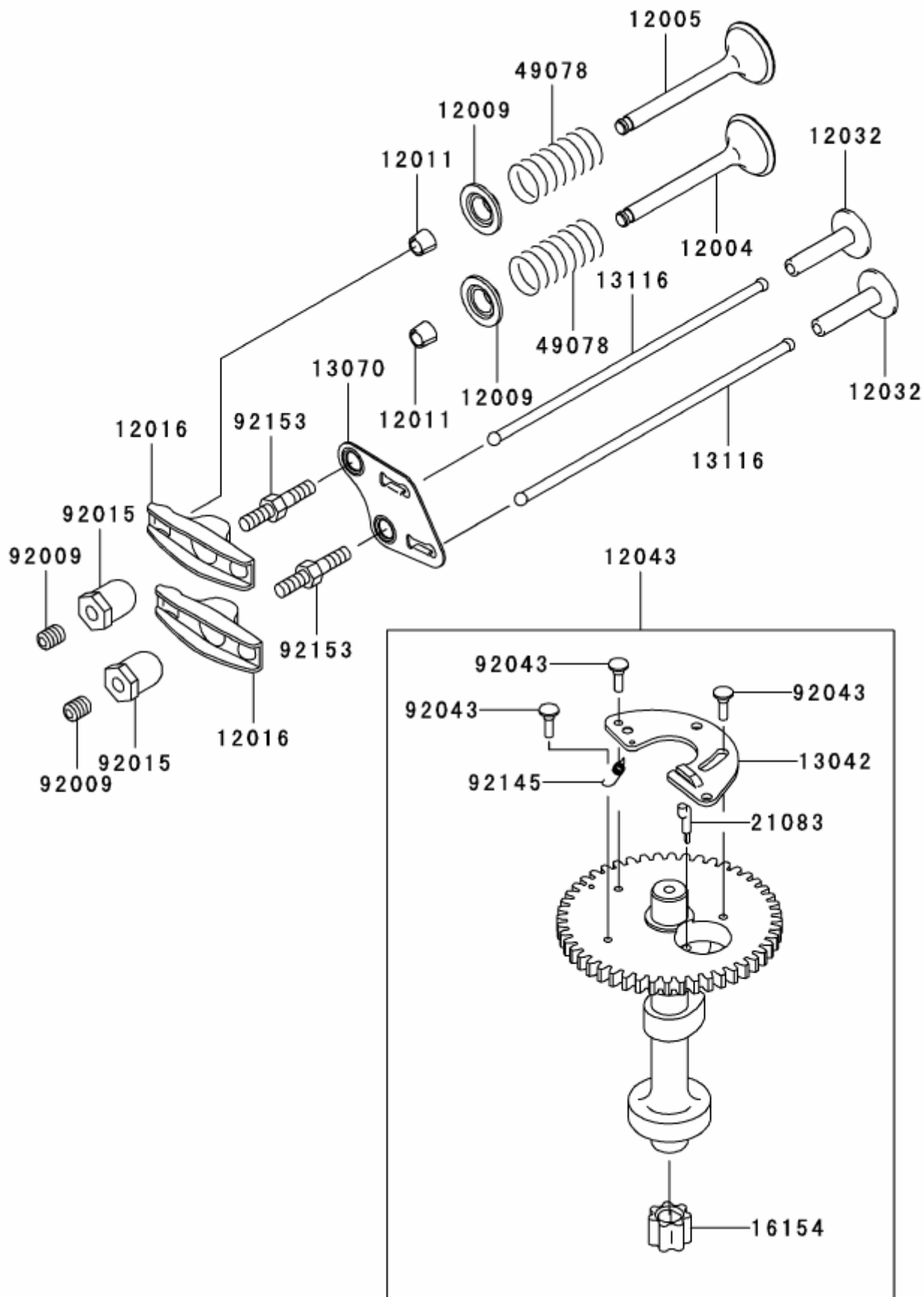
K02- PISTON / CRANKSHAFT PISTON / VILEBREQUIN

K02-L
ENGINE/MOTEUR



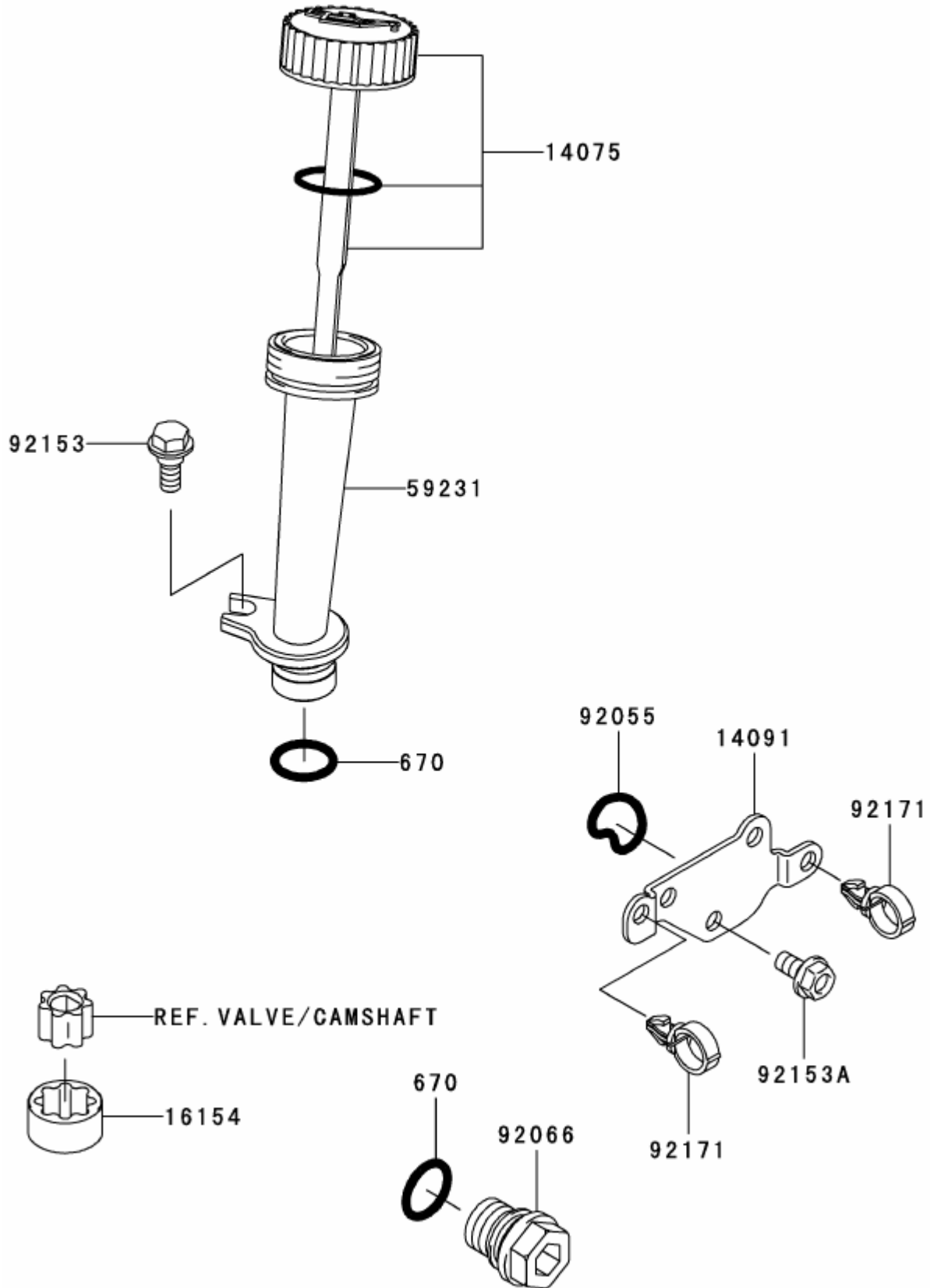
K03- VALVE / CAMSHAFT CULBUTEURS / ARBRE A CAMES

K03-L
ENGINE/MOTEUR



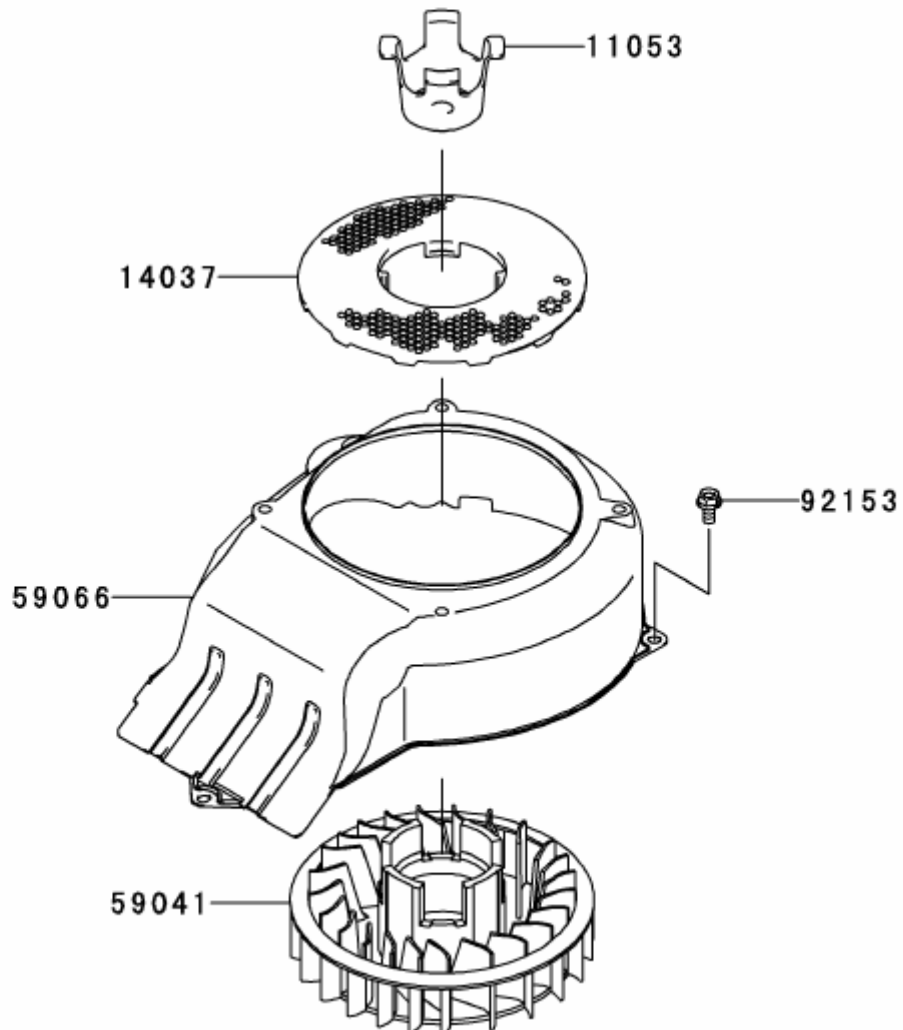
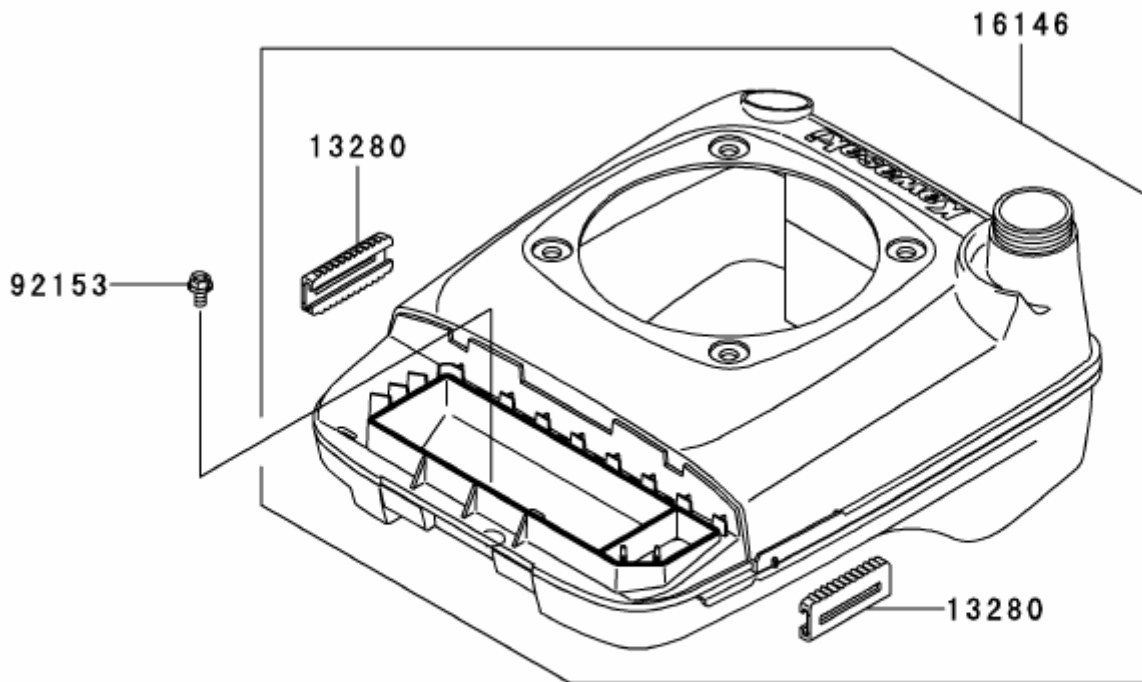
K04- OIL GAUGE JAUGE A HUILE

K04-L
ENGINE/MOTEUR



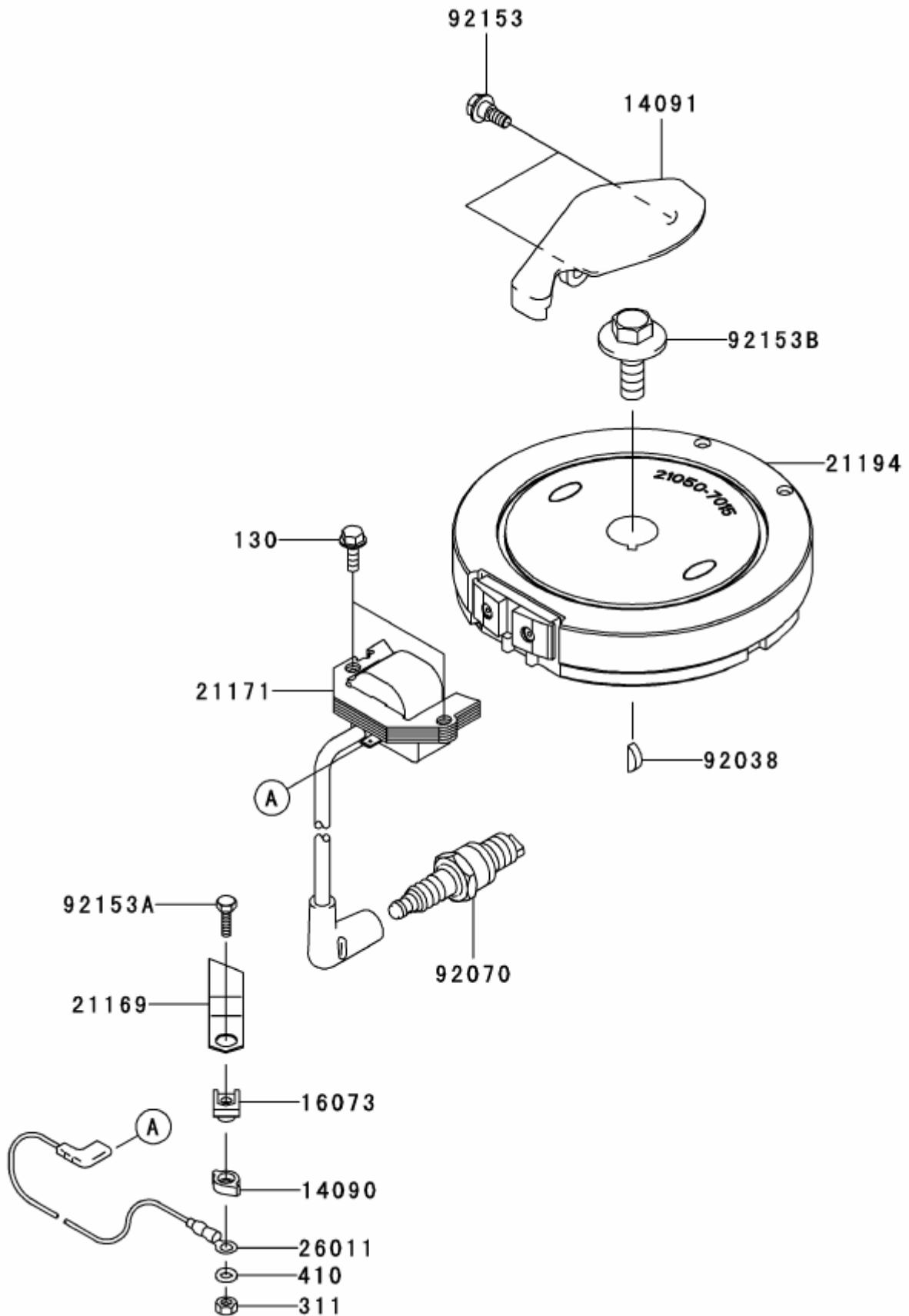
K05- COOLING EQUIPMENT REFROIDISSEMENT

K05-L
ENGINE/MOTEUR



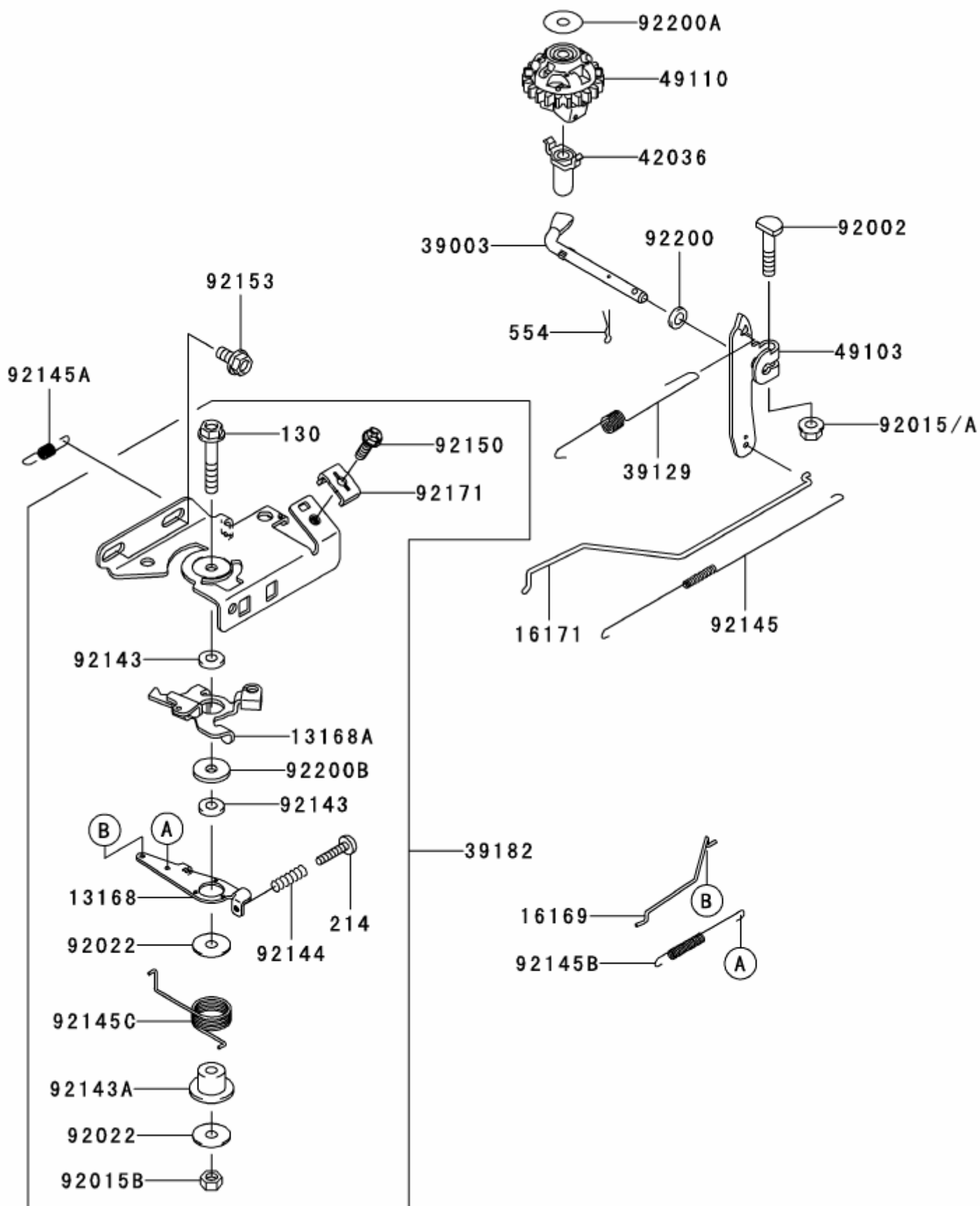
K06- ELECTRIC EQUIPMENT ALLUMAGE

K06-L
ENGINE/MOTEUR



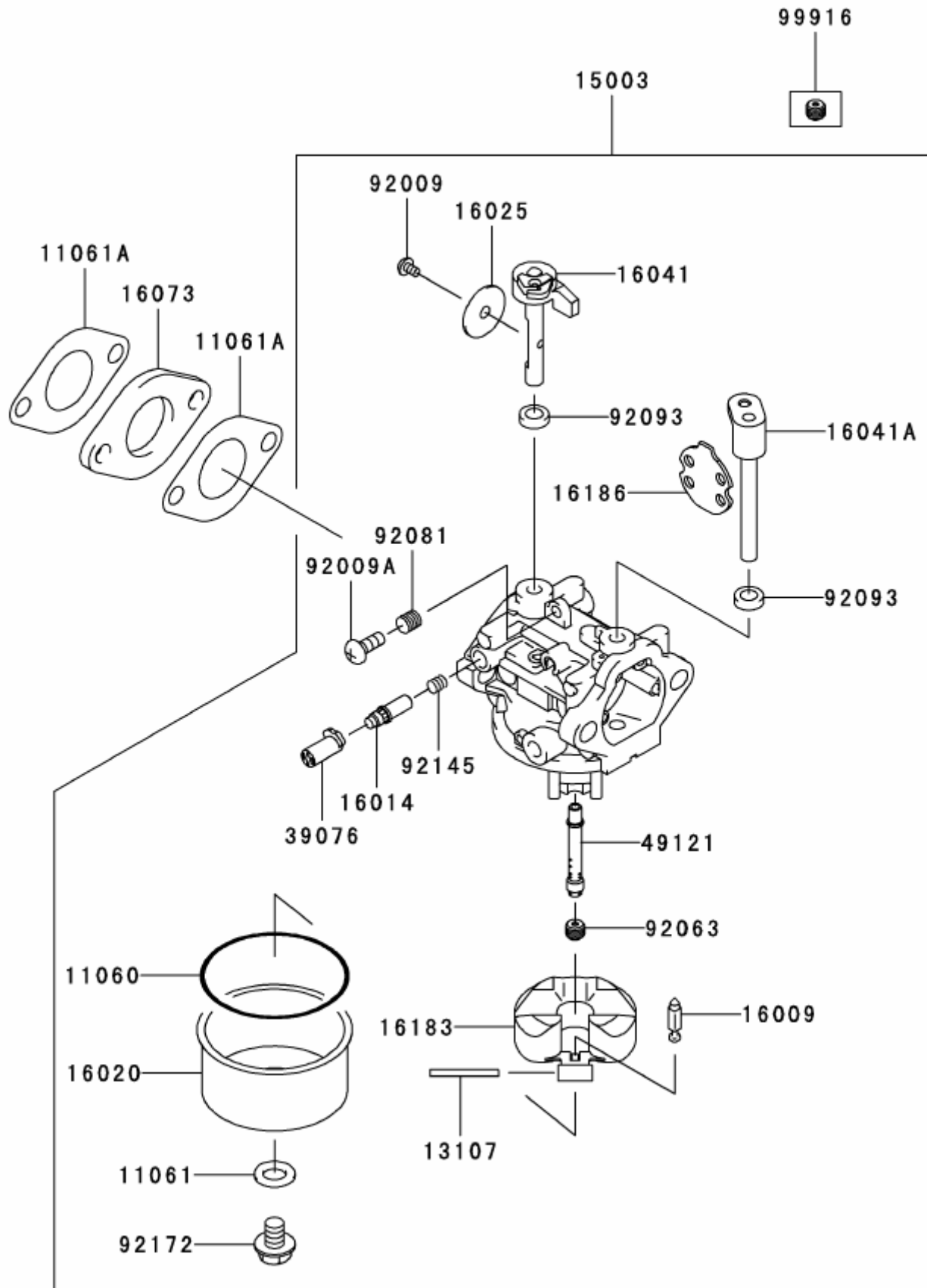
K07- CONTROL EQUIPMENT REGULATEUR DE REGIME

K07-L
ENGINE/MOTEUR



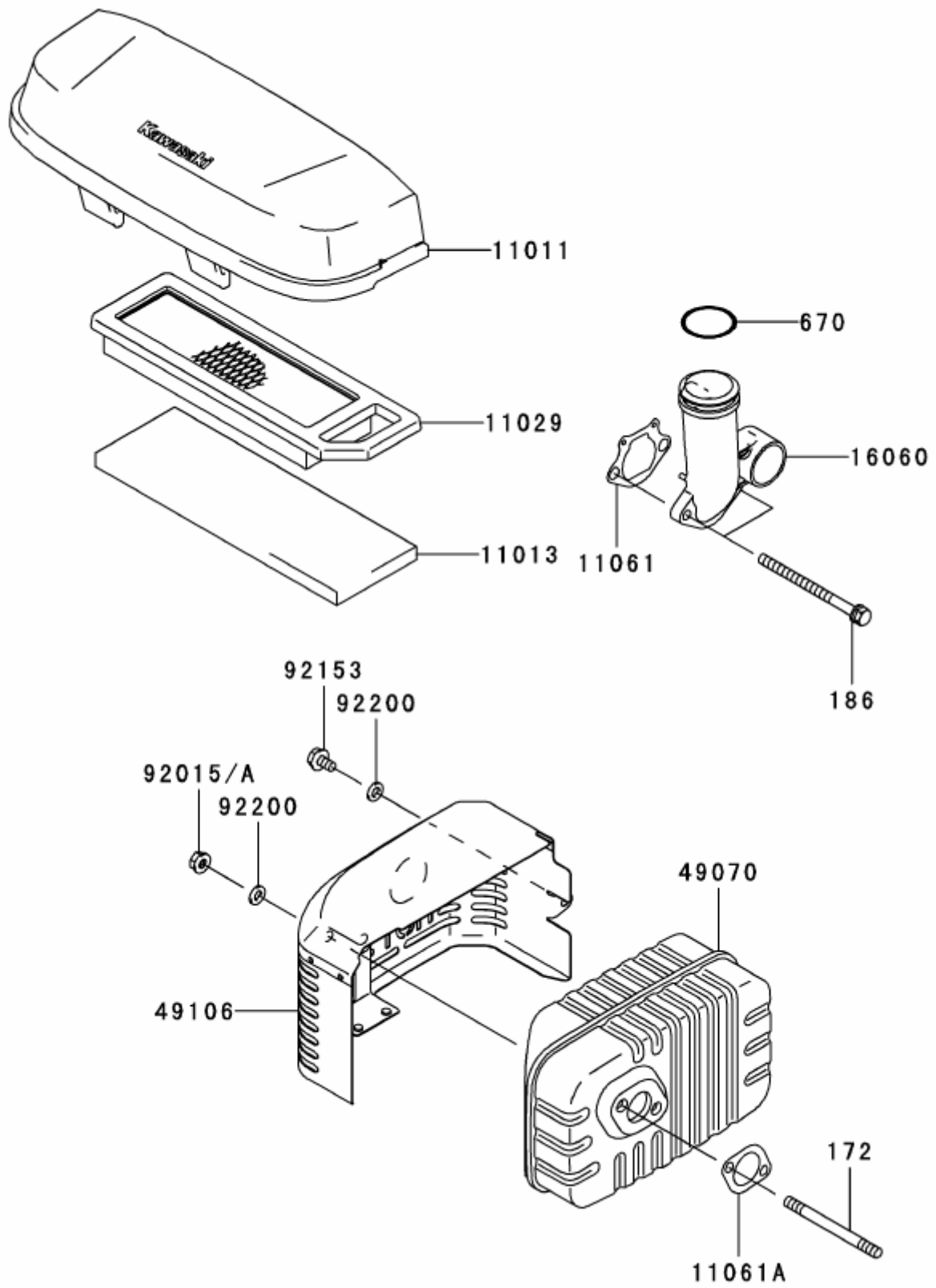
K08- CARBURETOR CARBURATEUR

K08-L
ENGINE/MOTEUR



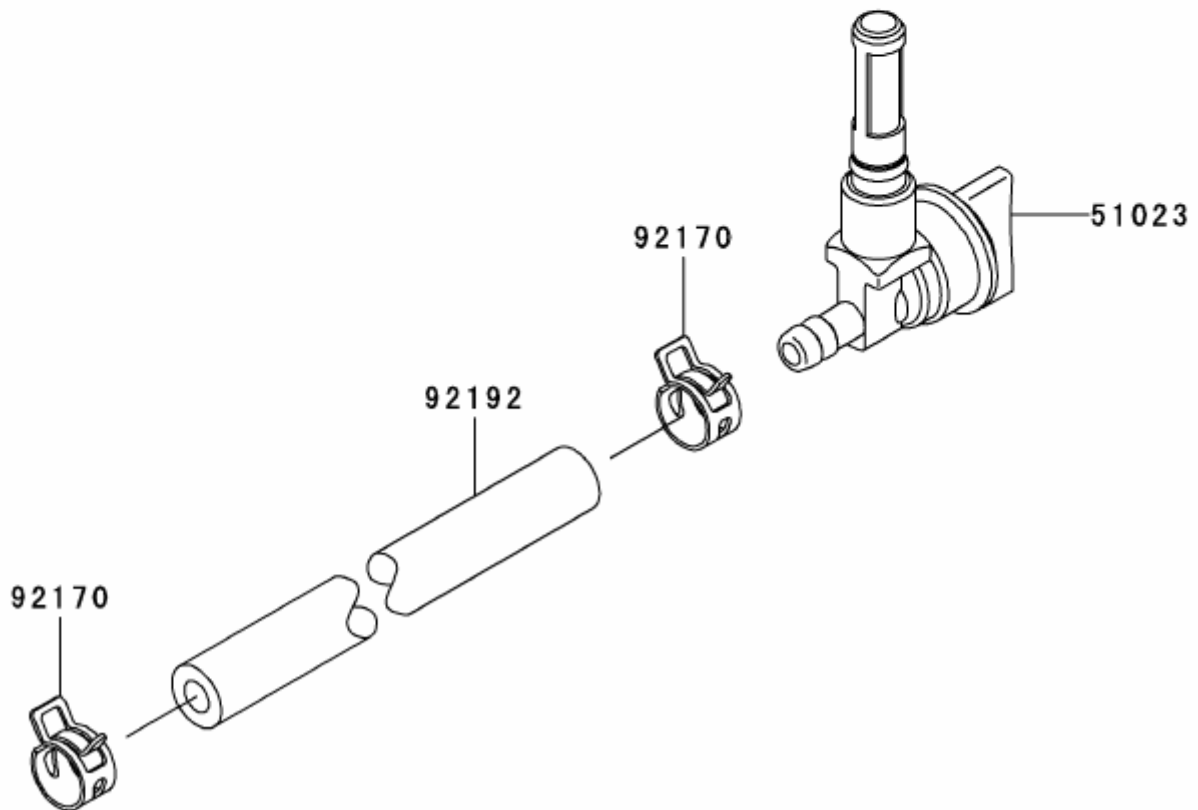
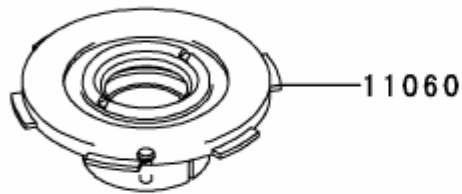
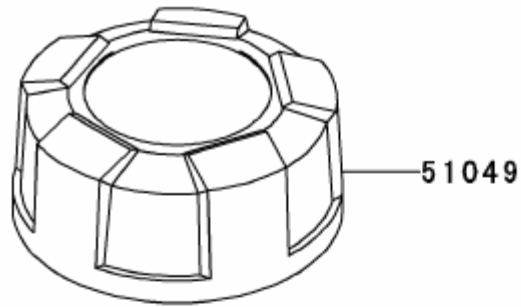
K09- AIR FILTER / MUFFLER FILTRE A AIR / SILENCIEUX

K09-L
ENGINE/MOTEUR



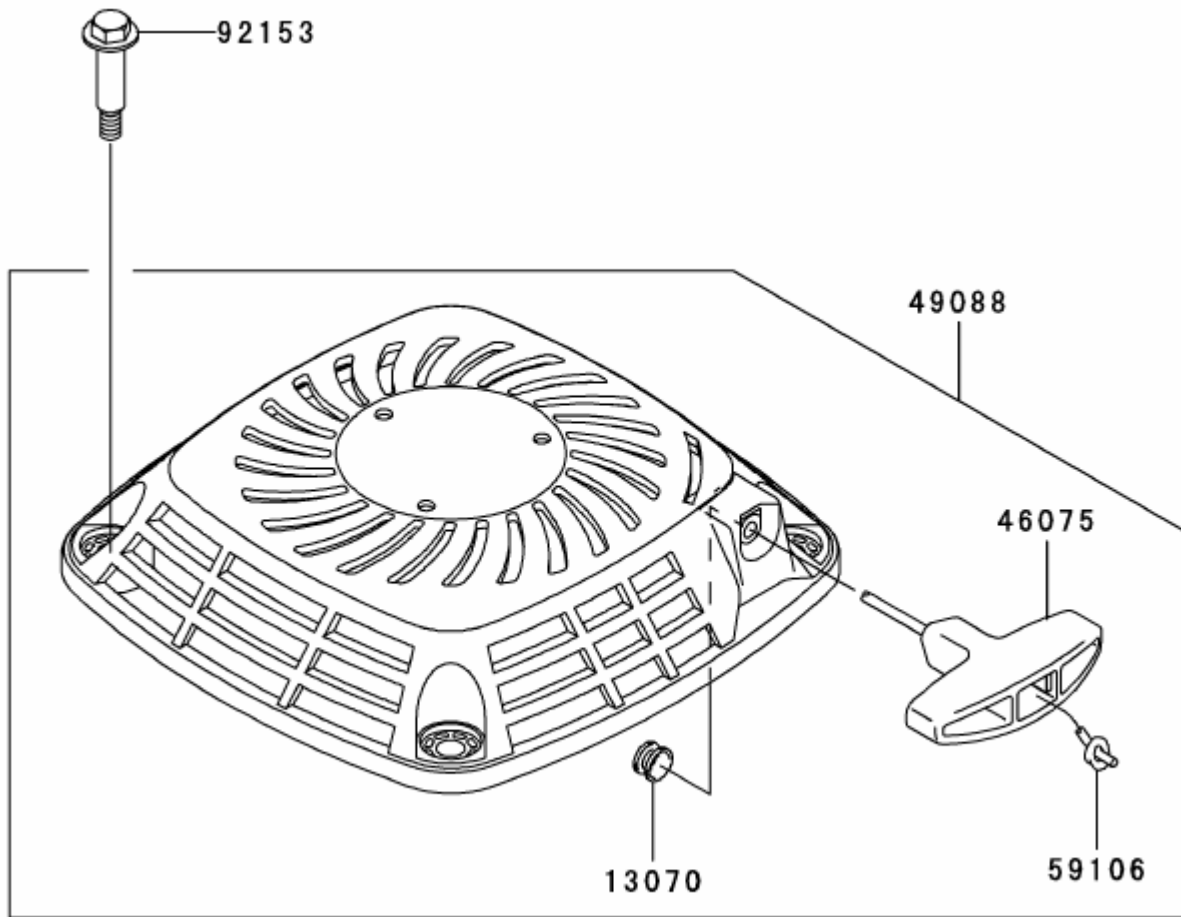
K10- FUEL TANK VALVE ROBINET BOUCHON CARBURANT

K10-L
ENGINE/MOTEUR



K11- STARTER LANCEUR

K11-L
ENGINE/MOTEUR



K12- LABELS ETIQUETTES

K12-L
ENGINE/MOTEUR

56070



56080



W721 PRO

Phase 3

(50001~)

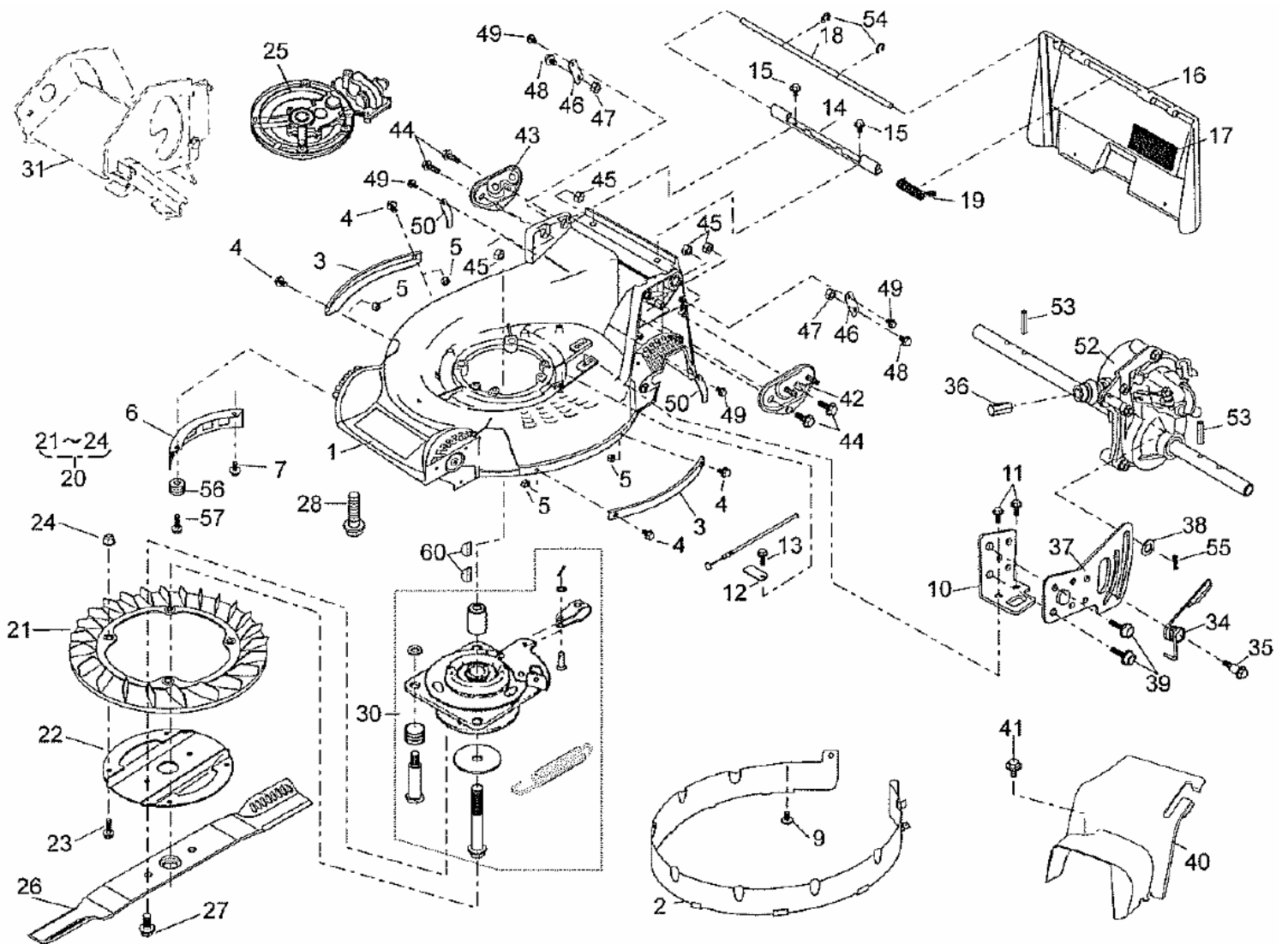
- CARTER DE LAME K20
- ROUES K21
- TRANSMISSION K22
- TRANSMISSION K23
- SAC A HERBE / GUIDON / CABLES K24
- EMBRAYAGE DE LAME K25
- COUVERCLE CARTER K26

-
- CUTTER HOUSING K20
 - WHEELS K21
 - GEAR CASE ASSY K22
 - GEAR CASE ASSY K23
 - GRASS CATCHER BAG / HANDLE / CABLES K24
 - BRAKE SET K25
 - COVER UNIT K26

K20- W721 PRO Phase 3 (50001~) CUTTER HOUSING / BLADE CARTER DE LAME / LAME

K20-L
W721 PRO

1/2



K20- W721 Phase 3 (50001~)

CUTTER HOUSING / BLADE

CARTER DE LAME / LAME

K20-R
W721 PRO

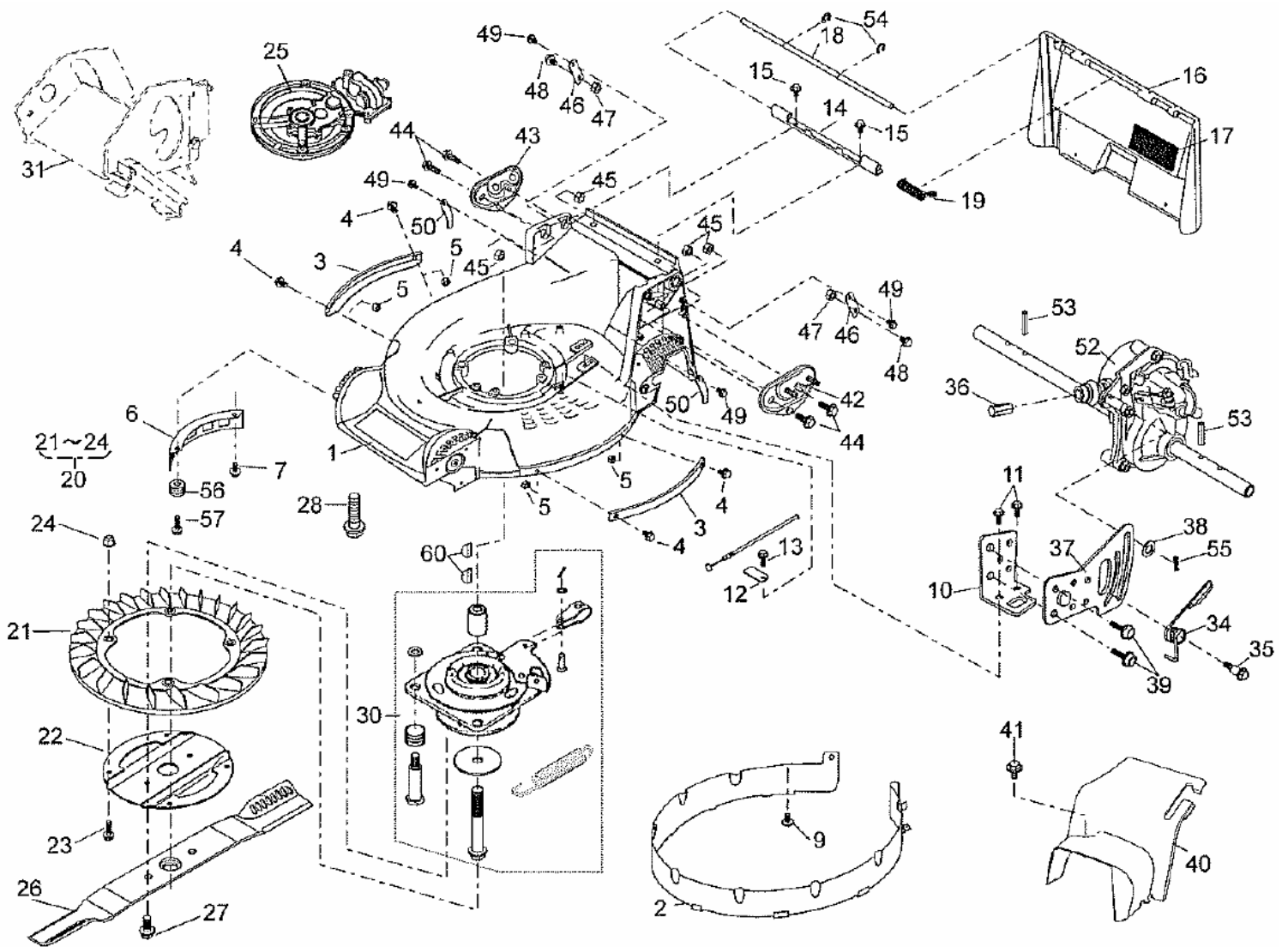
1/2

POS N	PART NUMBER REFERENCE	PART NAME	DESCRIPTION	QTY QTE	I.C.	REMARKS REMARQUE
1	W21TS01011	CARTER DE TONDEUSE	HOUSING	1		
2	w21TS01002	PROTECTION	GUARD	1		
3	W21TS00082	PROTECTION	PROTECTOR	2		
4	W21TS00058	VIS DE FIXATION	FLANGE BOLT	4		
5	W21TS00086	ECROU DE FIXATION	HEXAGON NUT	4		
6	W21TS00067	COUVERCLE	COVER	1		
7	W21TS00062	BOULON	FLANGE TAPPING BOLT	1		
8	-					
9	W21TS00061	VIS	FLANGE TAPPING BOLT	1		
10	W21TS07100	SUPPORT	STAY C.P.	1		
11	W21TS00061	VIS	FLANGE TAPPING BOLT	2		
12	W21TS00030	SUPPORT	STAY	1		
13	W21TS00061	VIS	FLANGE TAPPING BOLT	1		
14	W21TS00029	SUPPORT	STAY	1		
15	W21TS00061	VIS	FLANGE TAPPING BOLT	2		
16	W21TS00070	PROTECTION	GUARD	1		
17	W21TS00072	PROTECTION	RUBBER SHEET	1		
18	W21TS01020	ARBRE	SHAFT	1		
19	W21TS07125	RESSORT	SPRING	1		
20	W21TS00139	VENTILATEUR COMPLET	FAN ASSY	1		
21	W21TS00819	VENTILATEUR	FAN ASSY	1		
22	W21TS00021	PORTE LAME	HOLDER	1		
23	W21TS00052	VIS DE FIXATION	PRE-COAT LOCK BOLT	4		
24	W21TS00092	ECROU	FLANGE TAPPING BOLT	4		
25	W21TS07096	BOITIER COMPLET	GEAR CASE ASSY	1		
26	W21TS00988	LAME SOUFFLANTE	BLADE	1		
27	W21TS00060	VIS DE LAME	FLANGE BOLT	2		
28	W21TS07106	VIS DE LAME	FLANGE BOLT	4		
29	-					
30	W21TS07129	EMBAYAGE COMPLET	BRAKE SET (BBC)	1		
31	-	COVER UNIT (ref P/L housing)				
32	-					
33	-					
34	W21TS07126	RESSORT	SPRING	1		
35	W21TS01000	VIS HEXAGONALE	HEXAGON BOLT	1		
36	W21TS07122	ARBRE	SHAFT	1		
37	W21TS07143	SUPPORT	CONNECTOR	1		
38	W21TS00133	RONDELLE	WASHER (510,5x18x1,6)	1		
39	W21TS07108	VIS BOULONNEE	SOCKET SCREW FLANGE	2		
40	W21TS07107	COUVERCLE	COVER	1		
41	W21TS07105	BOULON	FLANGE BOLT	1		
42	W21TS00207	SUPPORT ARR.GAUCHE	HANDLE BRACKET (L)	1		
43	W21TS00208	SUPPORT ARR.DROIT	HANDLE BRACKET (R)	1		
44	W21TS00045	ECROU	HEXAGON BOLT	4		
45	W21TS00087	BOULON	HEXAGON NUT	4		

K20- W721 PRO Phase 3 (50001~) CUTTER HOUSING / BLADE CARTER DE LAME / LAME

K20-L
W721 PRO

2/2



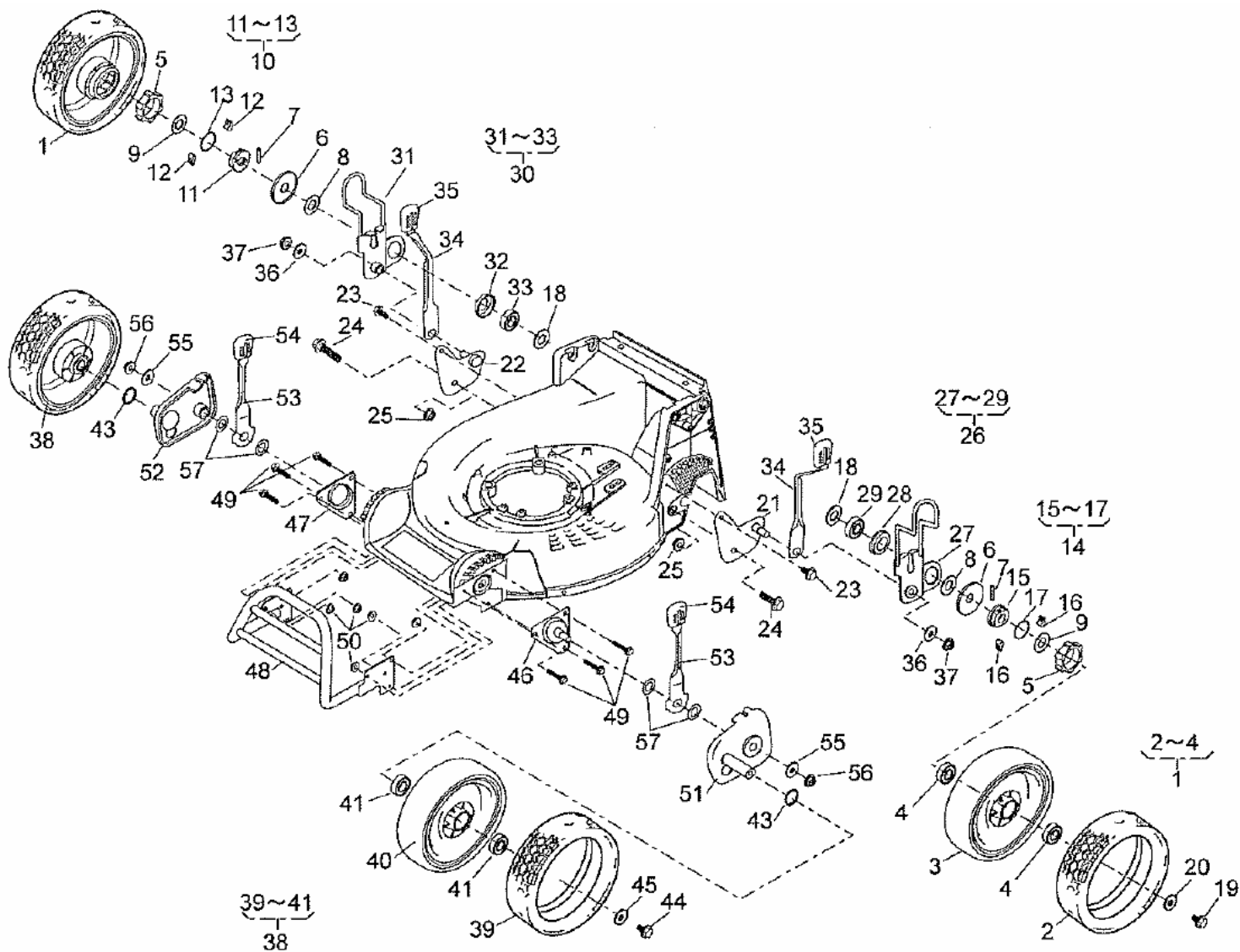
K21- W721 PRO Phase 3 (50001~)

WHEELS

ROUES

K21-L
W721 PRO

1/2



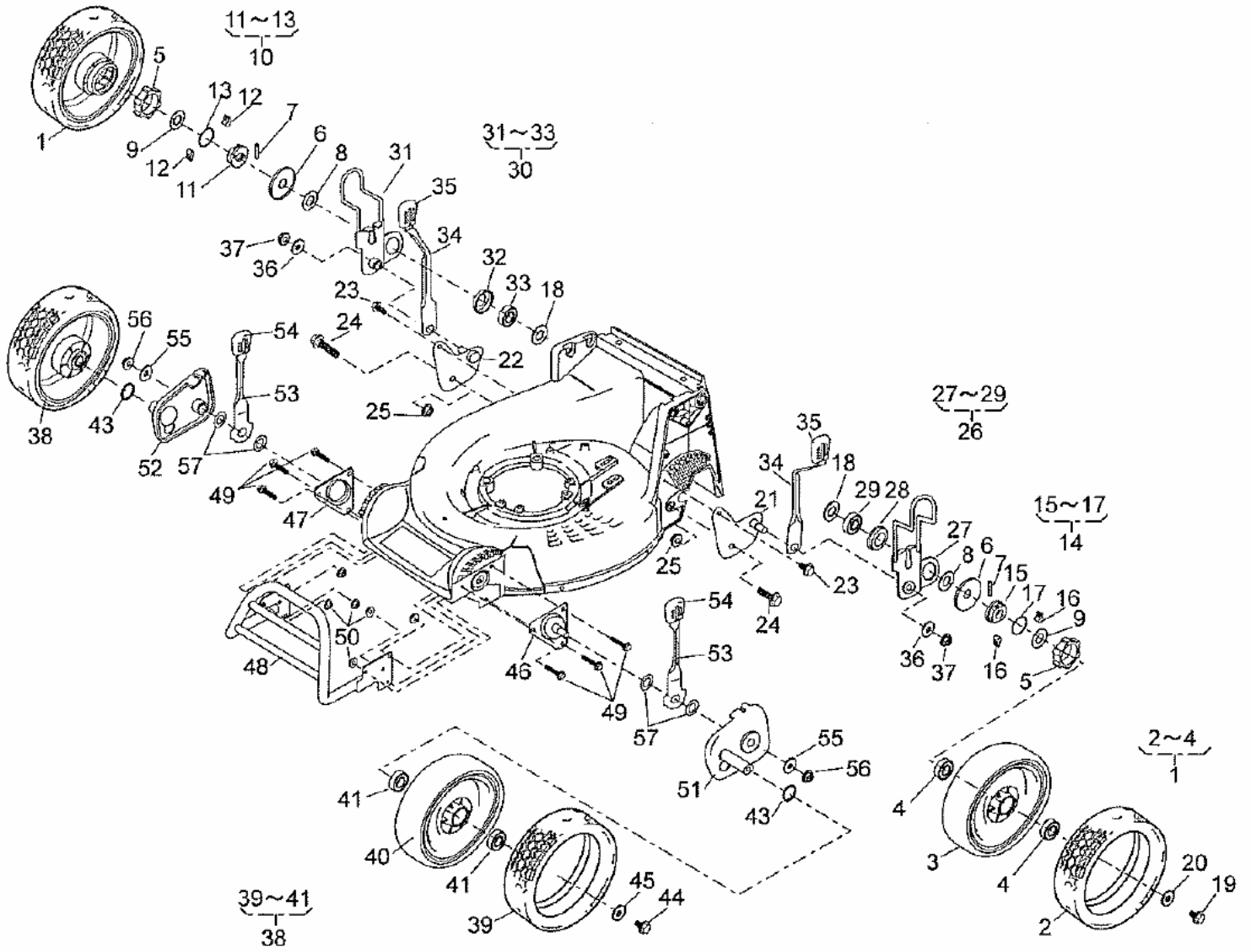
K21- W721 PRO Phase 3 (50001~)

WHEELS

ROUES

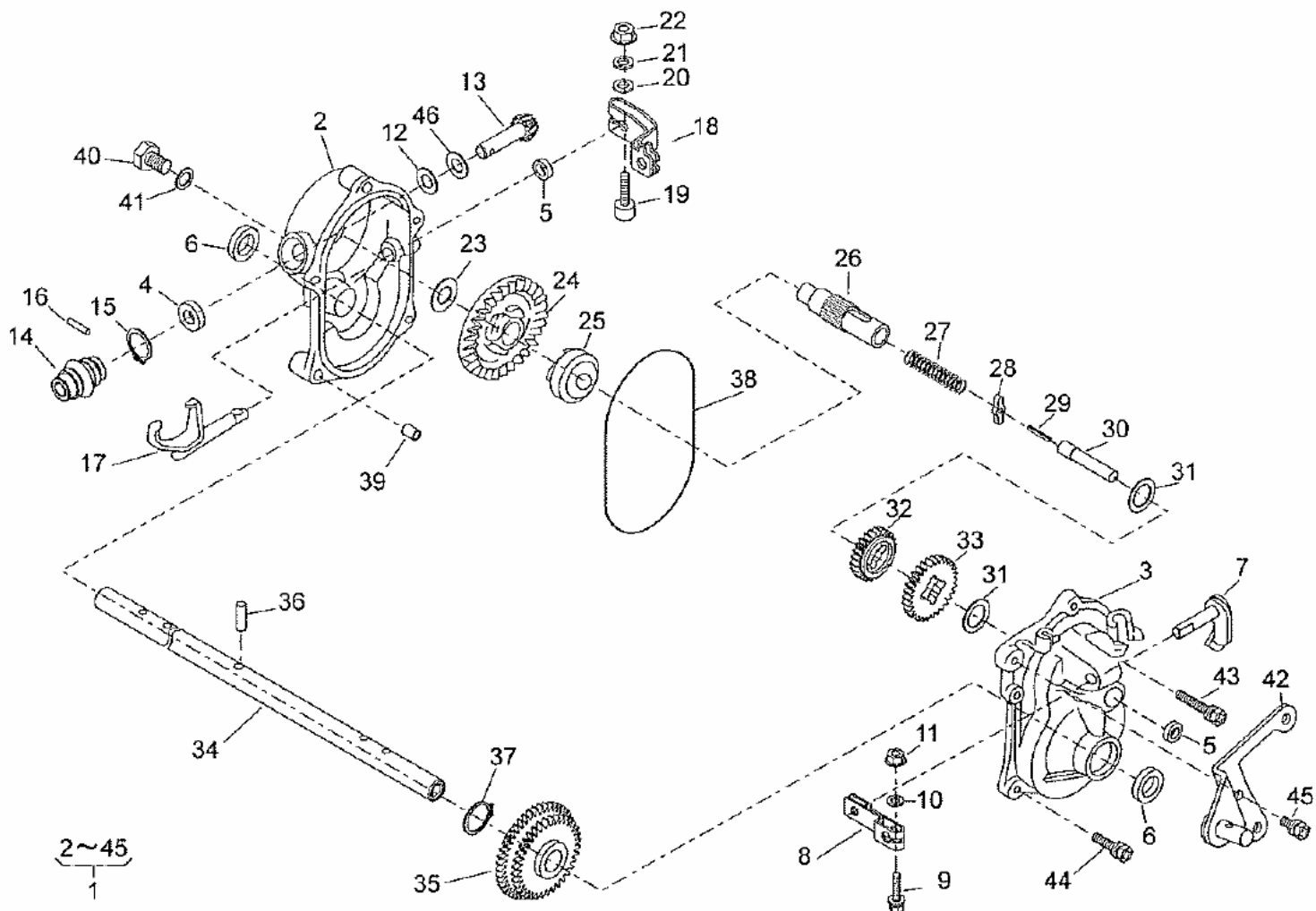
K21-L
W721 PRO

2/2



K22- W721 PRO Phase 3 (50001~) TRANSMISSION TRANSMISSION

K22-L
W721 PRO



K22- W721 PRO Phase 3 (50001~)

TRANSMISSION

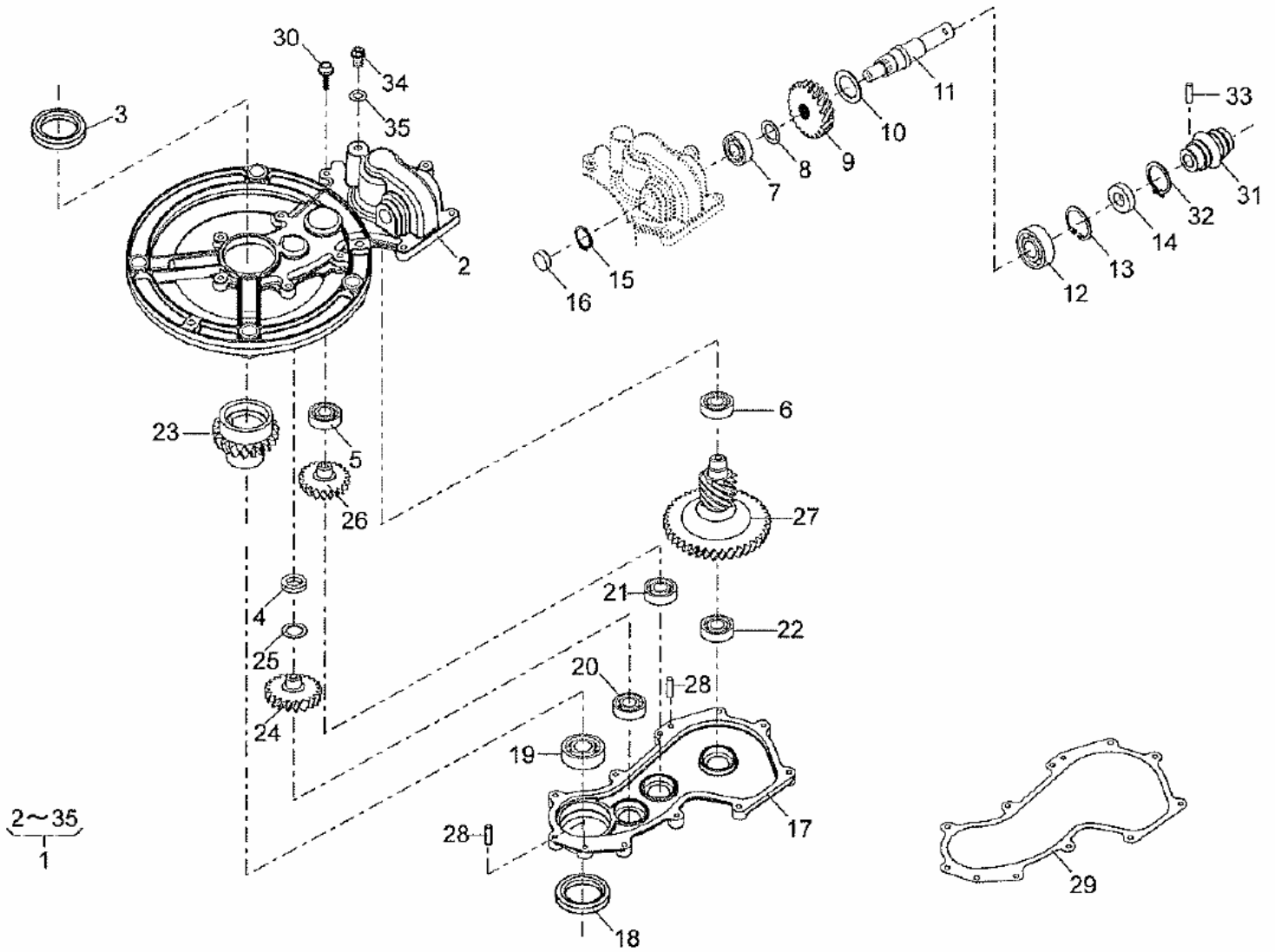
TRANSMISSION

K22-R
W721 PRO

POS N	PART NUMBER REFERENCE	PART NAME	DESCRIPTION	QTY QTE	I.C.	REMARKS REMARQUE
1	W21TS07097	BOITIER COMPLET	GEAR CASE ASSY	1		
2	W21TS00077	CARTER	GEAR CASE	1		
3	W21TS00078	CARTER	GEAR CASE	1		
4	W21TS00093	JOINT D'HUILE	OIL SEAL	1		
5	W21TS00094	JOINT D'HUILE	OIL SEAL	2		
6	W21TS00095	JOINT D'HUILE	OIL SEAL	2		
7	W21TS00112	FOURCHETTE DE	SHIFTER SHAFT	1		
8	W21TS00022	BRAS	ARM	1		
9	W21TS00057	BOULON 5X25	(+)HEXAGON BOLT (W/PW)	1		
10	W21TS00102	RONDELLE PLATE	PLAIN WASHER	1		
11	W21TS00089	ECROU	FLANGE NUT	1		
12	W21TS00096	CALE	THRUST PLATE	1		
13	W21TS00154	PIGNON	PINION	1		
14	W21TS00173	CARDAN	UNIVERSAL JOINT	1		
15	W21TS00160	JONC D'ARRET	C-SNAP RING	1		
16	W21TS00145	AXE	PARALLEL PIN	1		
17	W21TS00019	FOURCHETTE DE	SHIFTER FORK	1		
18	W21TS00023	BRAS	ARM	1		
19	W21TS00217	BOULON	SOCKET SCREW	1		
20	W21TS07120	RONDELLE	PLAIN WASHER	1		
21	W21TS00218	RONDELLE RESSORT	SPRING LOCK WASHER	1		
22	W21TS00086	ECROU DE FIXATION	HEXAGON NUT	1		
23	W21TS00100	ENTRETOISE	SPACER	1		
24	W21TS00153	PIGNON	BEVEL GEAR	1		
25	W21TS00031	CRABOT	CLUTCH	1		
26	W21TS00108	ARBRE	SHAFT	1		
27	W21TS00119	RESSORT	SPRING	1		
28	W21TS07103	AXE	PIN	1		
29	W21TS00148	AXE	SPRING PIN	1		
30	W21TS00107	AXE	SHAFT	2		
31	W21TS00101	ENTRETOISE	SPACER	1		
32	W21TS00156	PIGNON	GEAR	1		
33	W21TS00155	PIGNON	GEAR	1		
34	W21TS00219	AXE DE TRANSMISSION	SHAFT	1		
35	W21TS00157	PIGNON DOUBLE	GEAR C.P.	1		
36	W21TS00040	AXE	PIN	1		
37	W21TS07140	CIRCLIP	C-SNAP RING	1		
38	W21TS00038	JOINT TORIQUE	O-RING	1		
39	W21TS00015	COLLIER	COLLAR	2		
40	W21TS00048	BOULON	HEXAGON BOLT	1		
41	W21TS00116	RONDELLE	FIBER WASHER	1		
42	W21TS00220	BRAS DE COMMANDE	STAY C.P.	1		
43	W21TS00054	VIS 6 X 25	(+)HEXAGON BOLT (SW/PW)	3		
44	W21TS00055	VIS 6 X 35	(+)HEXAGON BOLT (SW/PW)	2		
45	W21TS00252	VIS 6X12	(+)HEXAGON BOLT (SW)	1		
46	W21TS00117	CALE	SHIM	2		

K23- W721 PRO Phase 3 (50001~) TRANSMISSION TRANSMISSION

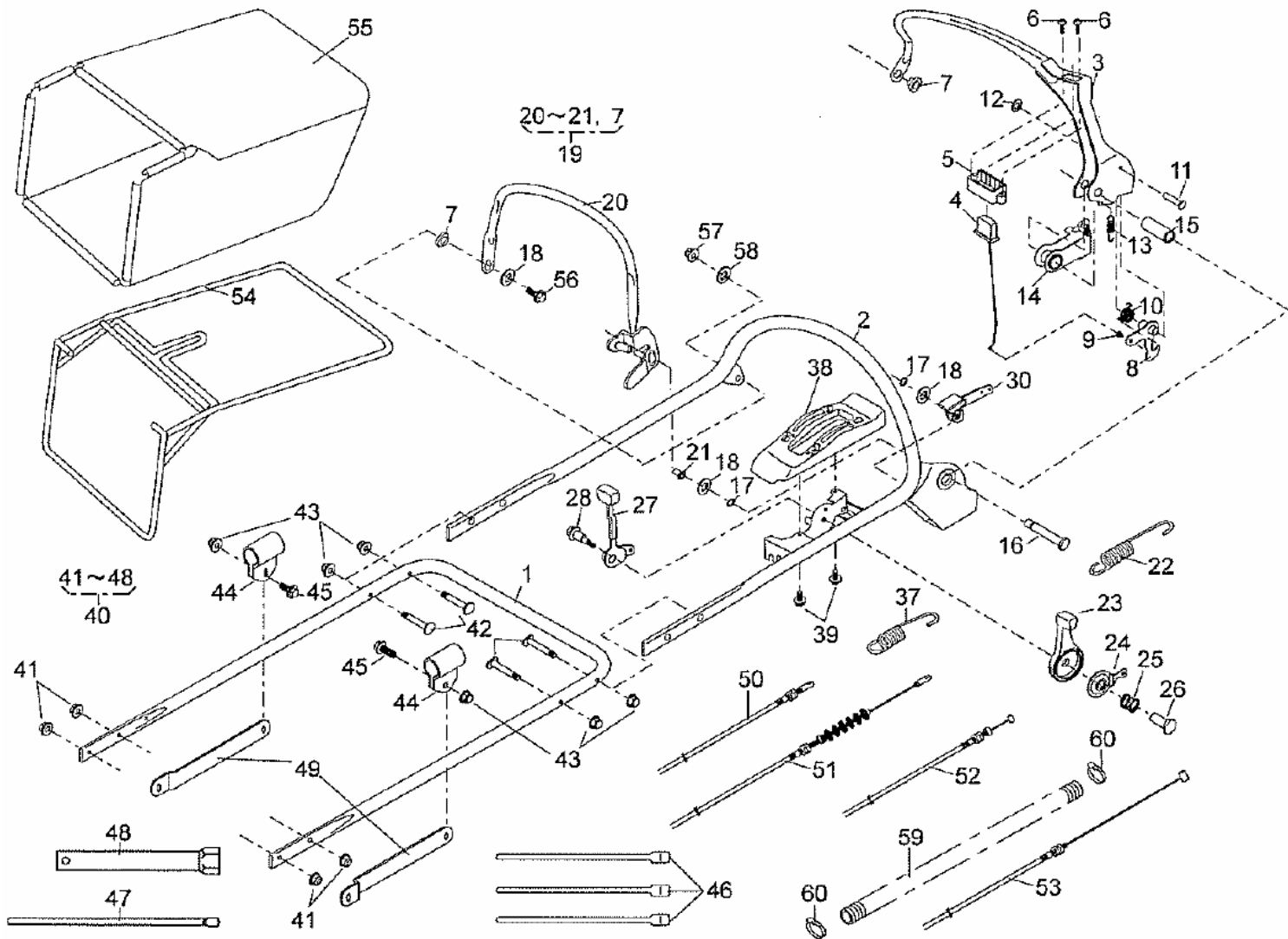
K23L
W721 PRO



K24- W721 PRO Phase 3 (50001~) GRASS CATCHER/HANDLE/CABLE SAC A HERBE/GUIDON/CABLES

K24-L
W721 PRO

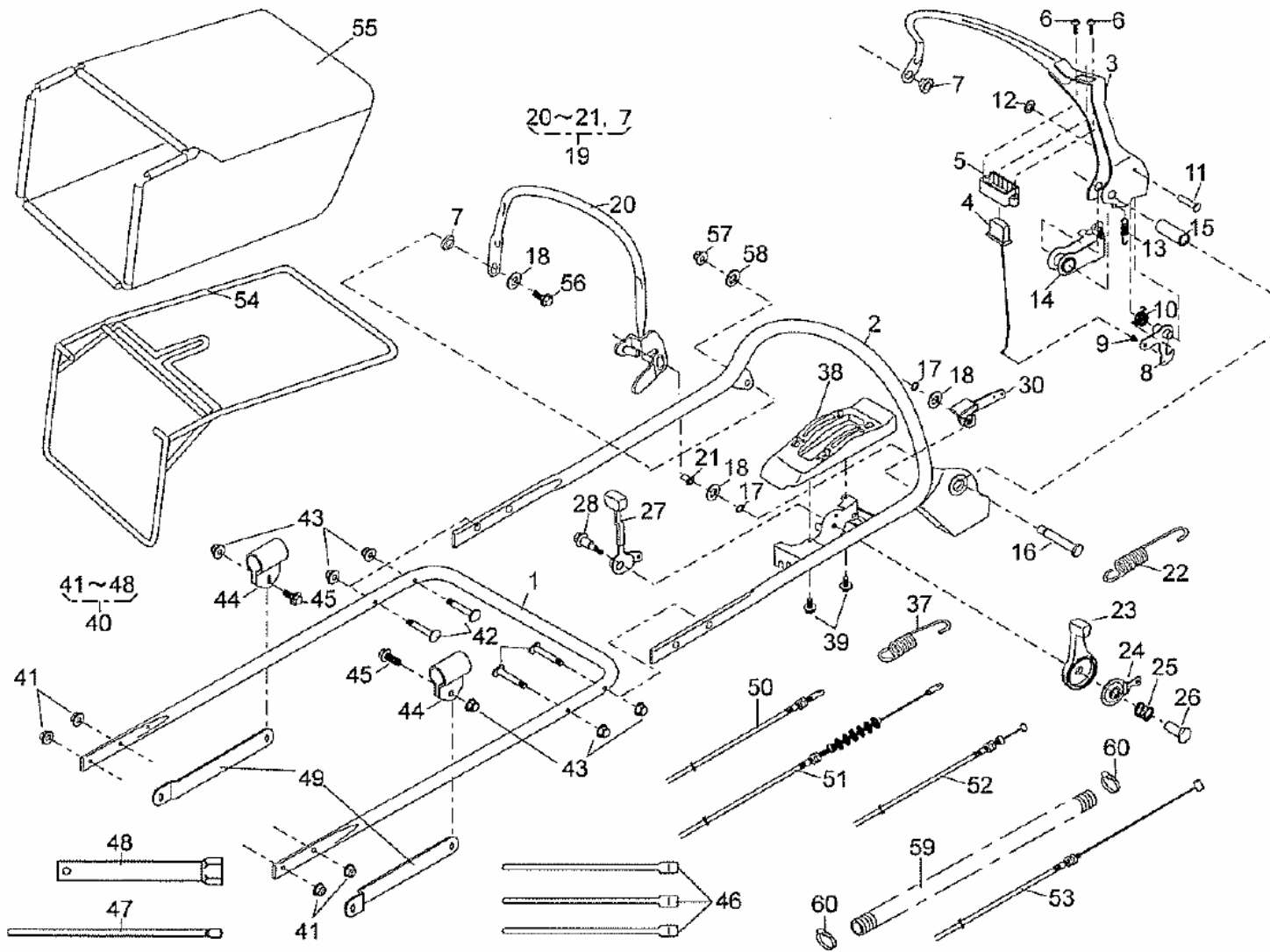
1/2



K24- W721 PRO Phase 3 (50001~) GRASS ATCHER/HANDLE/CABLE SAC A HERBE/GUIDON/CABLES

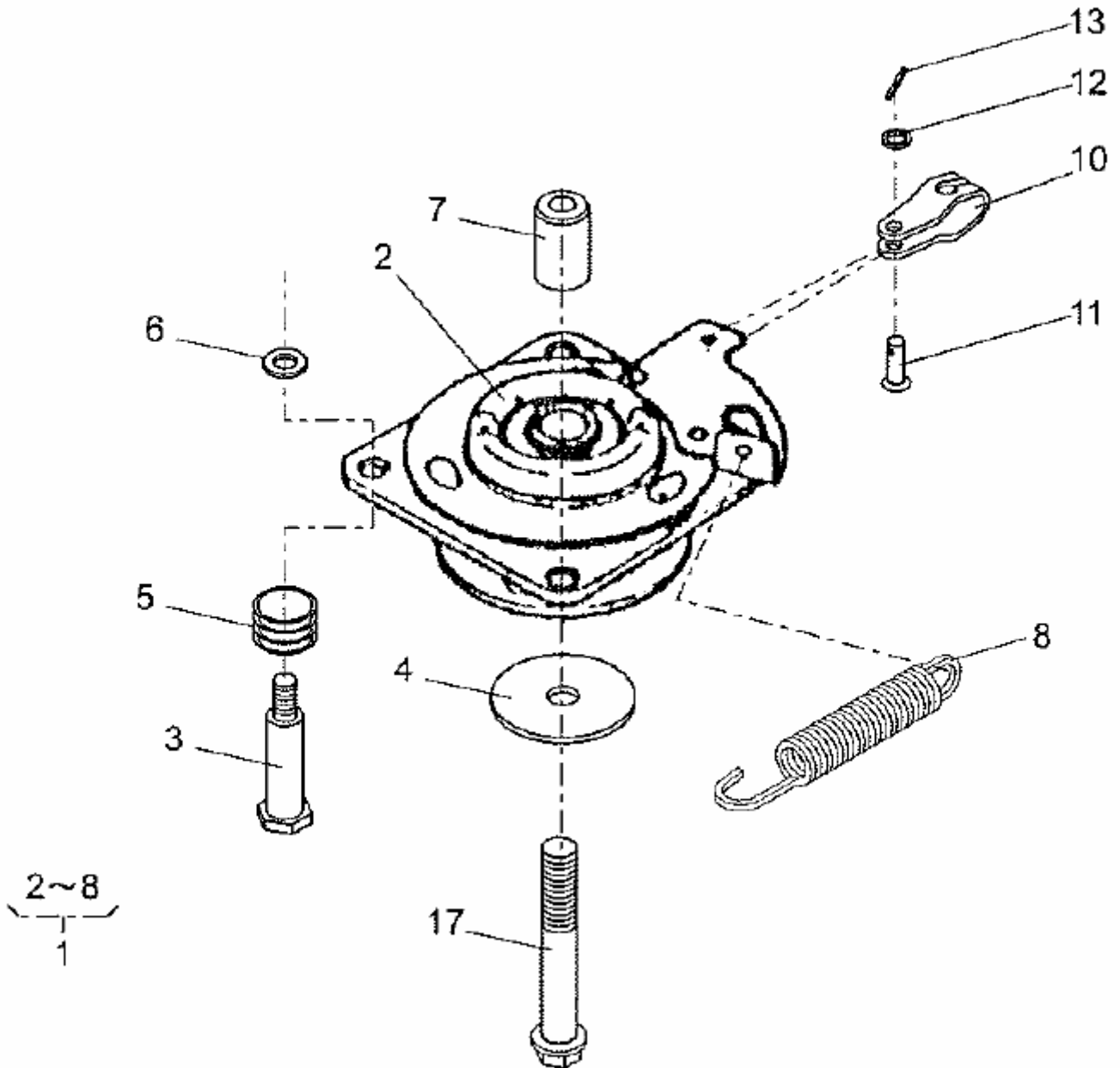
K24-L
W721 PRO

2/2



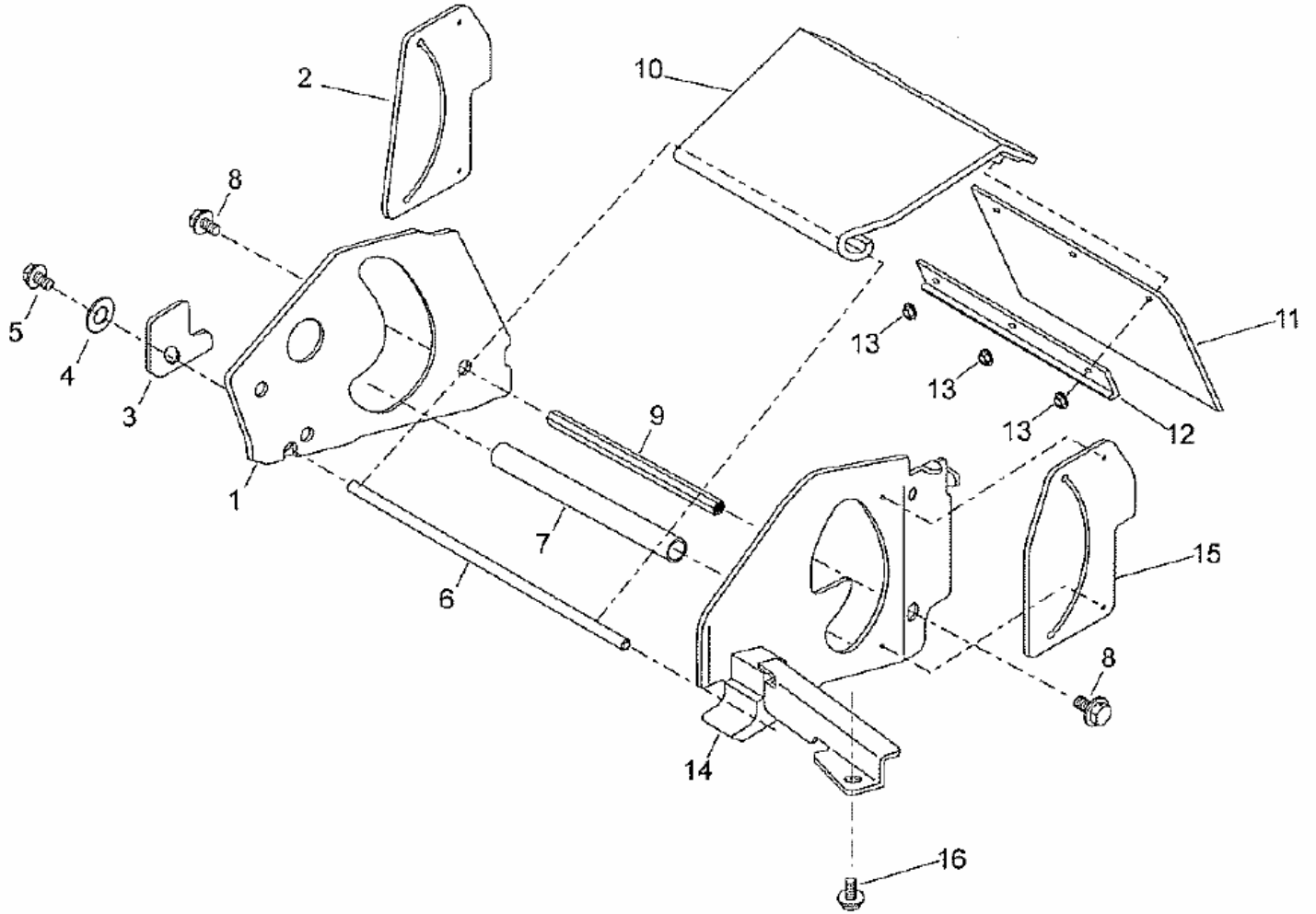
K25- W721 PRO Phase 3 (50001~)
EMBAYAGE DE LAME
BRAKE SET

K25-L
W721 PRO



K26- W721 PRO Phase 3 (50001~)
COUVERCLE CARTER
COVER UNIT

K26-L
W721 PRO



Kubota

Kubota

GEANT DES NECESSITES FONDAMENTALES

"La Technologie pour les Besoins de Demain" est l'ambition de chacun CHEZ KUBOTA. A travers la recherche et le développement de nouveaux produits pour l'Agriculture, l'Industrie, la Construction et plusieurs autres domaines de la vie moderne, Nous KUBOTA, espérons atteindre ce but.

THE BASIC NECESSITIES GIANT

"Technology for the Needs of Tomorrow" is the ambition of everyone at KUBOTA. Through research and the development of new products for agriculture, industry, construction, and many other areas of modern life, we at Kubota hope to realize this goal.

IMPRIME EN FRANCE
PRINTED IN FRANCE