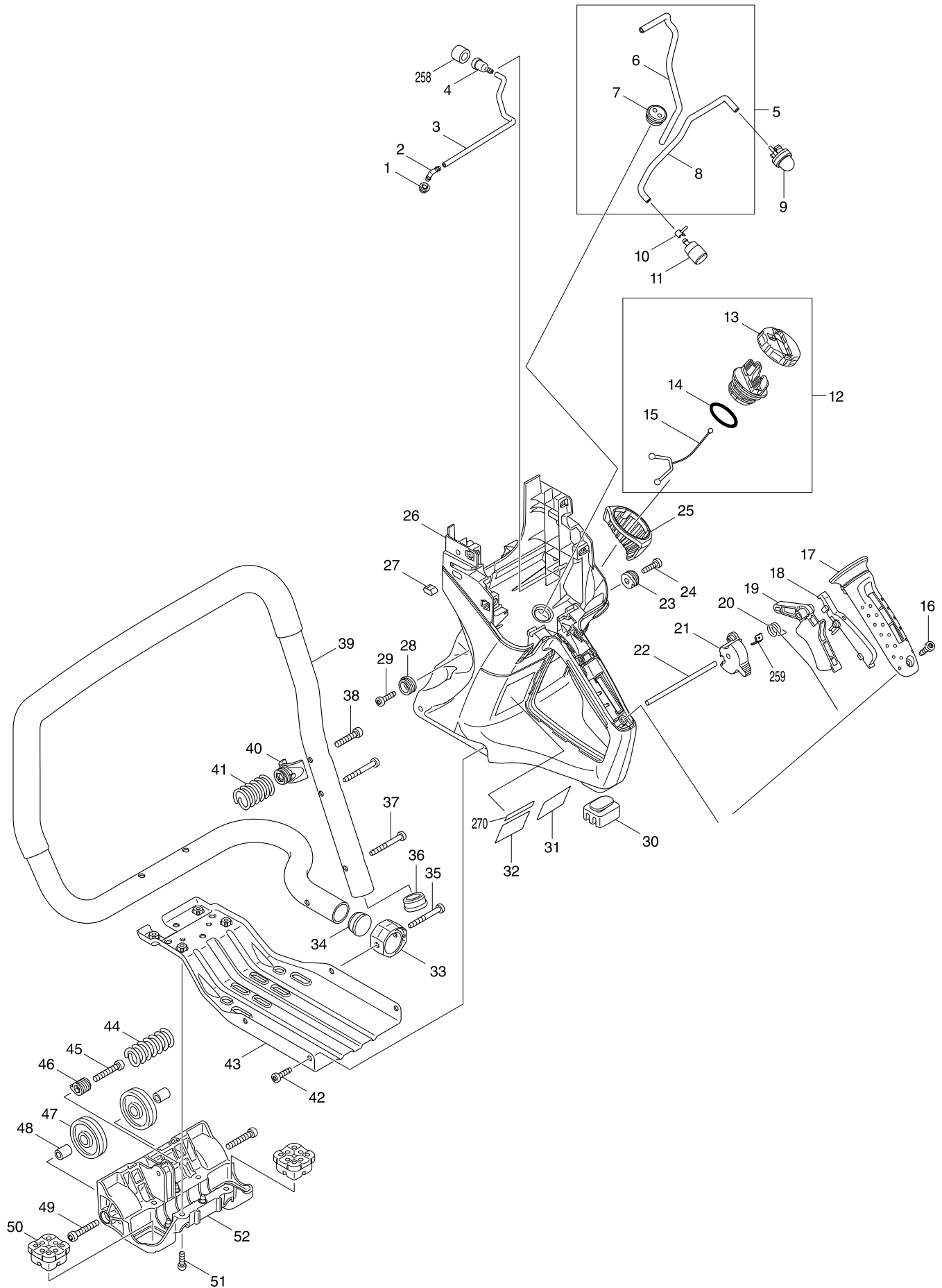
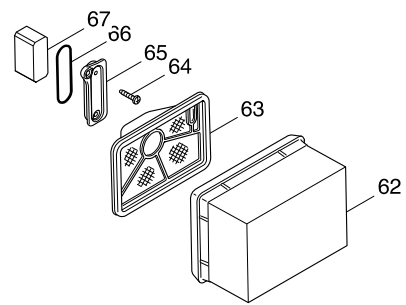
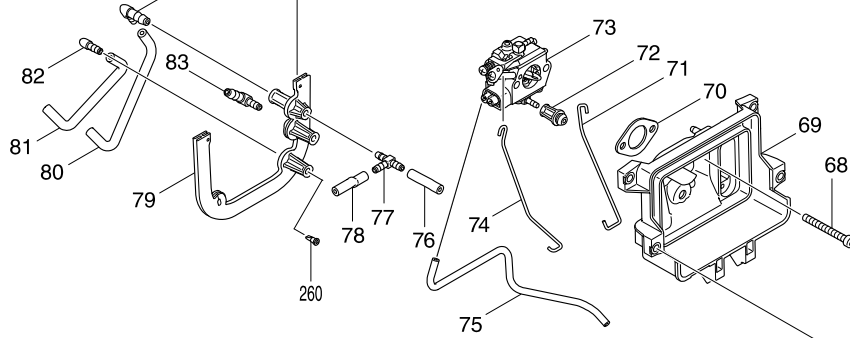
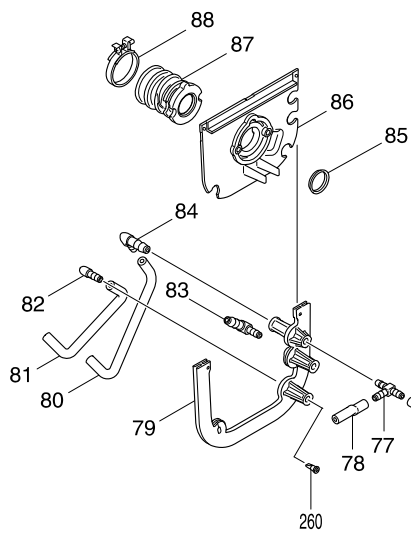
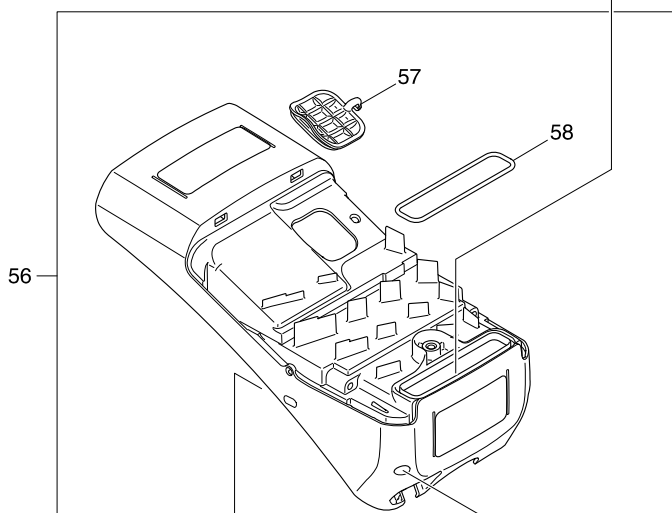
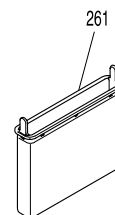
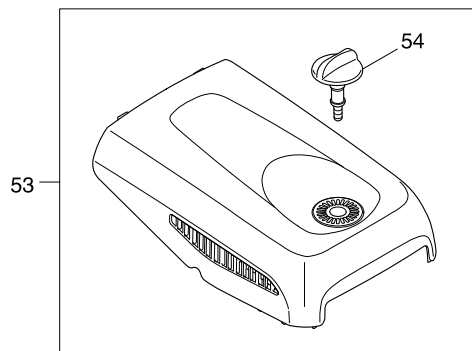


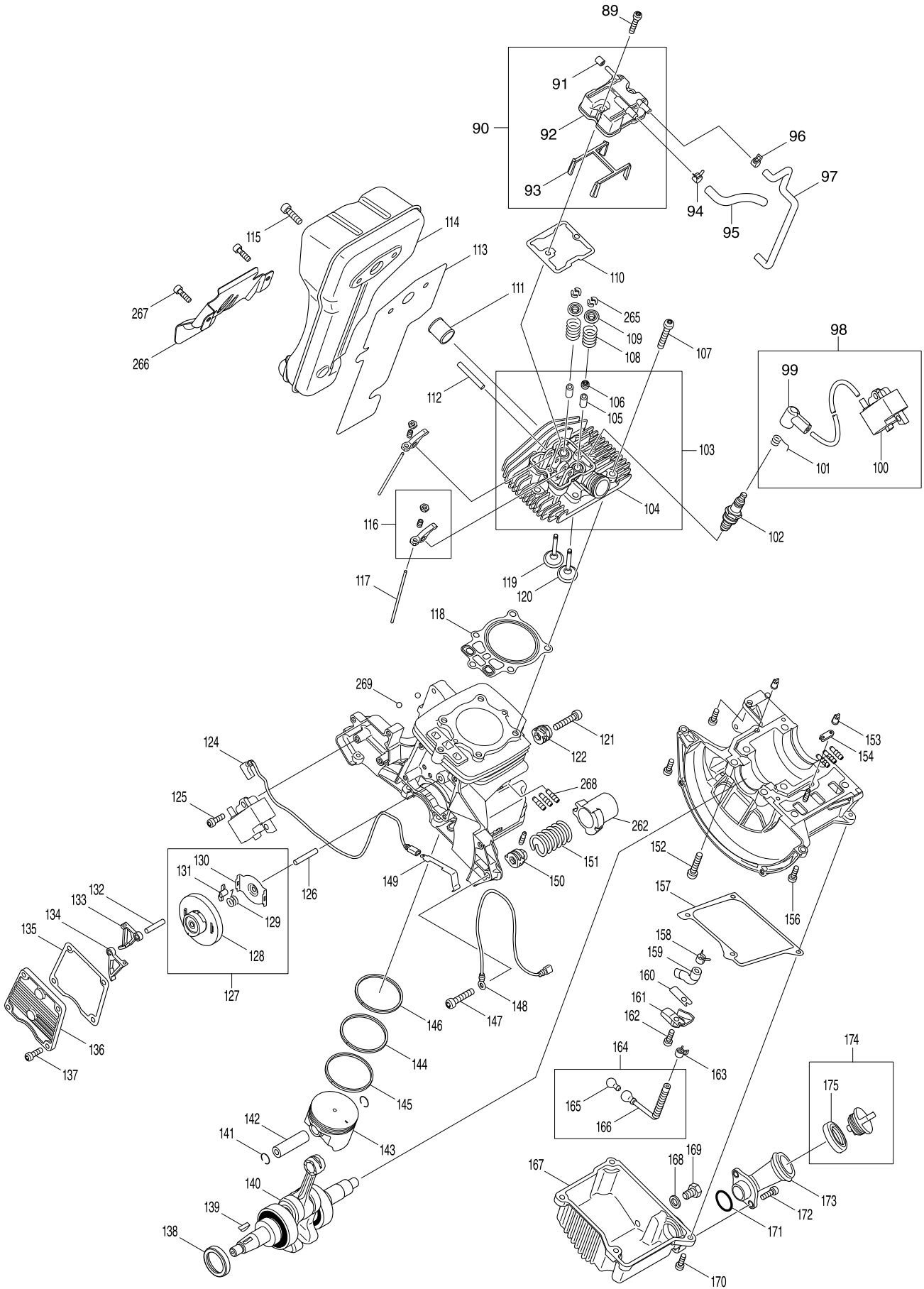
# Numéro du modèle EK7651H DECOUPEUSE 76cm3 355mm 4TEMPS



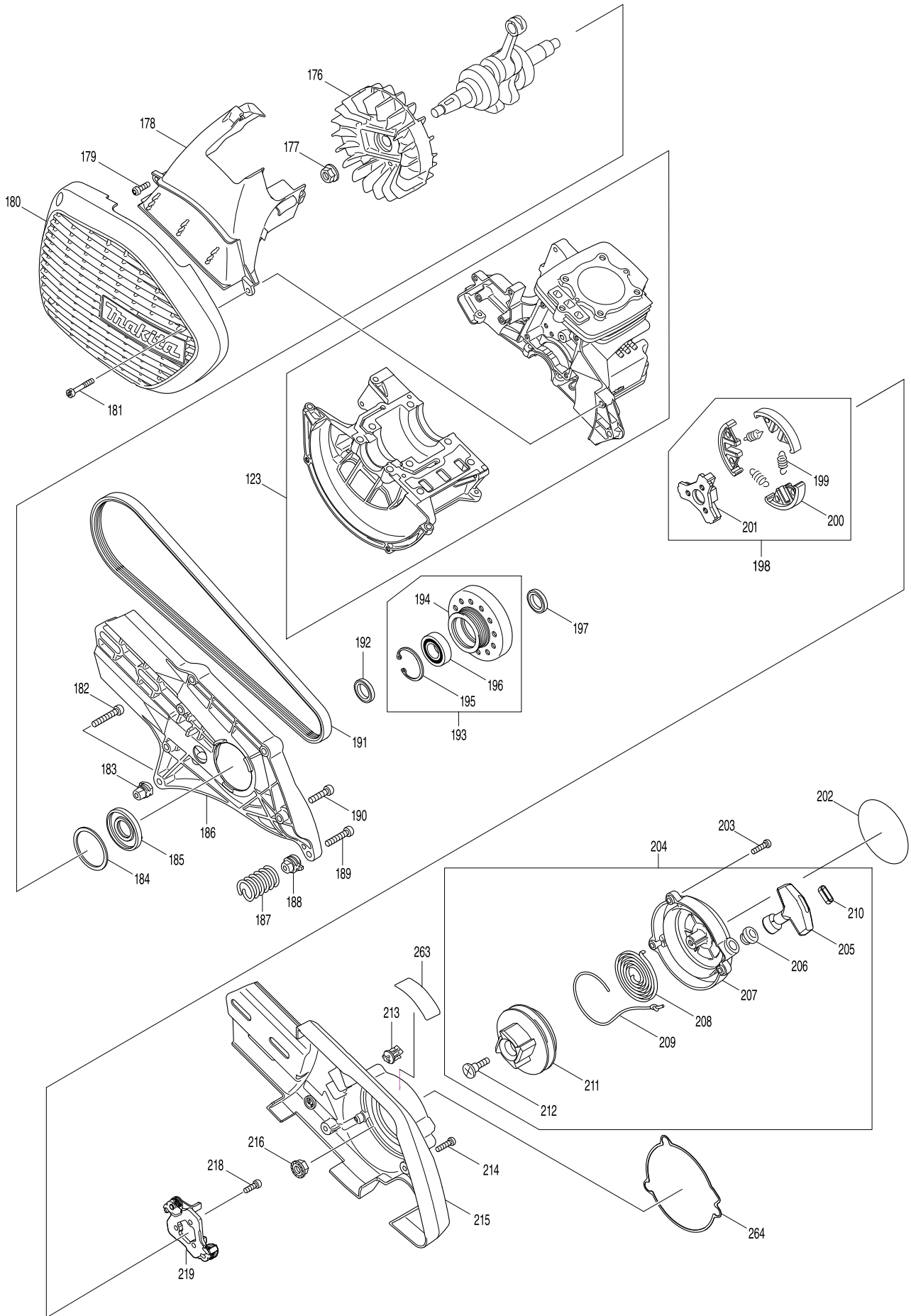
# Numéro du modèle EK7651H DECOUPEUSE 76cm3 355mm 4TEMPS



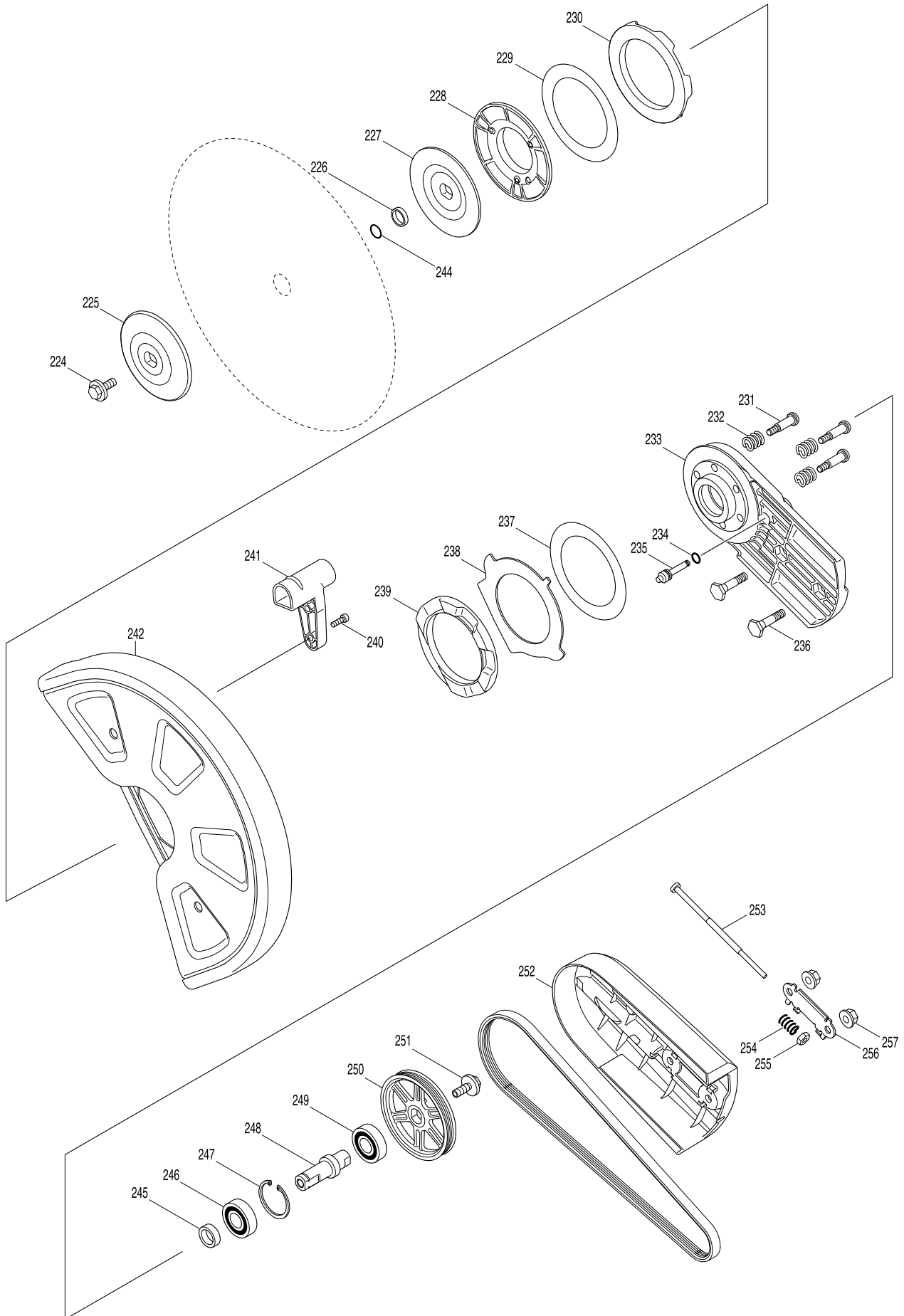
# Numéro du modèle EK7651H DECOUPEUSE 76cm3 355mm 4TEMPS



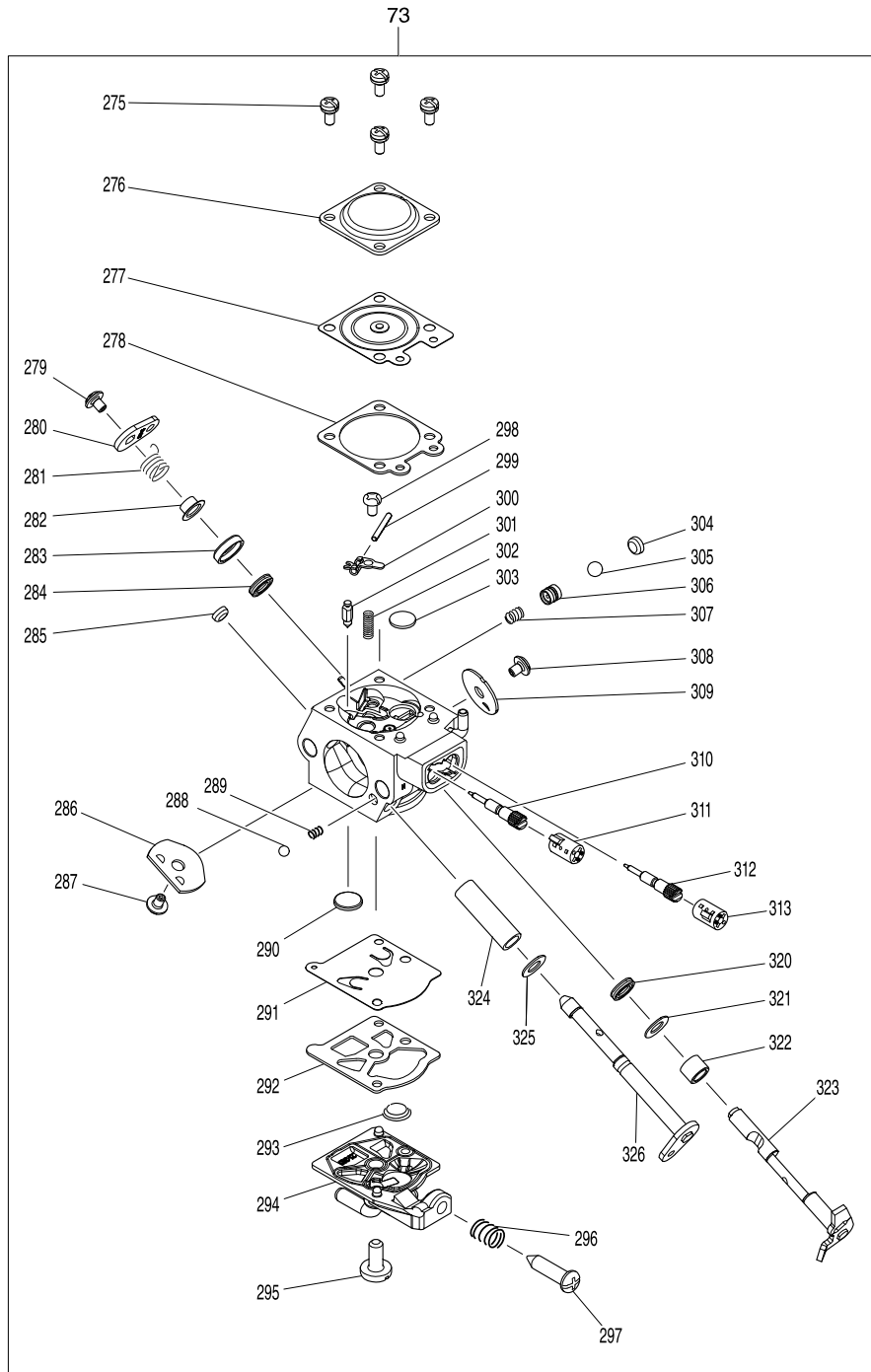
# Numéro du modèle EK7651H DECOUPEUSE 76cm3 355mm 4TEMPS



# Numéro du modèle EK7651H DECOUPEUSE 76cm3 355mm 4TEMPS



# Numéro du modèle EK7651H DECOUPEUSE 76cm3 355mm 4TEMPS



| Position | Référence pièce | Description                | Echelle | QTE | N/O | Option 1 | Option 2 | COMMENTAIRE |
|----------|-----------------|----------------------------|---------|-----|-----|----------|----------|-------------|
| 001      | 421875-8        | DOUILLE                    |         | 1   |     | P1       |          |             |
| 002      | 452800-8        | RACCORD TUYAU 4-4          |         | 1   |     | P2       |          |             |
| 003      | 422083-4        | TUBE 3-190                 |         | 1   |     | P2       |          |             |
| 004      | 168396-6        | VIS BOUTON                 |         | 1   |     | P7       |          |             |
| 005      | 142150-6        | TUBULURE CPL               |         | 1   |     | P7       |          |             |
| D10      |                 | INC. 6-8                   |         |     |     |          |          |             |
| 006      | 422074-5        | DURITE                     |         | 1   |     | P1       |          |             |
| 007      | 424101-4        | COSSE                      |         | 1   |     | P1       |          |             |
| 008      | 422119-9        | TUBE 3-300                 |         | 1   |     | P4       |          |             |
| 009      | 168398-2        | POMPE PRIMER               |         | 1   |     | P6       |          |             |
| 010      | 324616-0        | COLLIER                    |         | 1   |     | P2       |          |             |
| 011      | 163447-0        | FILTRE A ESSENCE           |         | 1   |     | P4       |          |             |
| 012      | 140831-6        | BOUCHON RESERVOIR CPL      |         | 1   |     | P13      |          |             |
| D10      |                 | INC. 13-15                 |         |     |     |          |          |             |
| 013      | 452697-5        | BOUTON BOUCHON RESERVOIR   |         | 1   |     | P3       |          |             |
| 014      | 213080-9        | JOINT 29,3 X 3,6           |         | 1   | *   | P1       |          |             |
| 014-1    | 213831-0        | O-RING 29.5                | <       | 1   |     |          |          |             |
| 015      | 450957-9        | SANGLE                     |         | 1   |     | P1       |          |             |
| 016      | 266475-5        | VIS TORX 5,5X20            |         | 1   |     | P1       |          |             |
| 017      | 452736-1        | CARTER POIGNEE             |         | 1   |     | P8       |          |             |
| 018      | 452722-2        | BOUTON DE SECURITE         |         | 1   |     | P4       |          |             |
| 019      | 452721-4        | LEVIER                     |         | 1   |     | P5       |          |             |
| 020      | 233590-0        | RESSORT DE TENSION 12      |         | 1   |     | P1       |          |             |
| 021      | 452723-0        | LEVIER D'INTERRUPTEUR      |         | 1   |     | P5       |          |             |
| 022      | 256520-4        | TIGE 5                     |         | 1   |     | P1       |          |             |
| 023      | 452742-6        | PORTE ARRIERE INTERNE      |         | 1   |     | P2       |          |             |
| 024      | 266475-5        | VIS TORX 5,5X20            |         | 1   |     | P1       |          |             |
| 025      | 424408-8        | TANK GUARD                 |         | 1   |     | P3       |          |             |
| 026      | 140774-2        | RESERVOIR COMPLET          |         | 1   |     | P33      |          |             |
| C10      | 898274-3        | INDICATION LABEL           |         | 1   |     |          |          |             |
| C20      | 264066-6        | SQUARE NUT M5-10           |         | 4   |     |          |          |             |
| 027      | 424583-0        | BOUCHON                    |         | 1   |     | P1       |          |             |
| 028      | 452742-6        | PORTE ARRIERE INTERNE      |         | 1   |     | P2       |          |             |
| 029      | 266475-5        | VIS TORX 5,5X20            |         | 1   |     | P1       |          |             |
| 030      | 424404-6        | REAR FOOT                  |         | 1   |     | P1       |          |             |
| 031      | 869686-7        | PLAQUE NOM EK7651H         |         | 1   | *   | P1       |          |             |
| 031-1    | 850G00-0        | EK7651H NAME PLATE         | O       | 1   |     |          |          |             |
| 033      | 452737-9        | FIXATION                   |         | 1   |     | P4       |          |             |
| 034      | 424410-1        | RUBBER CAP                 |         | 1   |     | P1       |          |             |
| 035      | 266687-0        | VIS AUTOFOREUSE 4X45       |         | 1   |     | P1       |          |             |
| 036      | 424410-1        | RUBBER CAP                 |         | 1   |     | P1       |          |             |
| 037      | 266687-0        | VIS AUTOFOREUSE 4X45       |         | 2   |     | P1       |          |             |
| 038      | 266659-5        | BOULON A TETE CREUSE M6X30 |         | 1   |     | P1       |          |             |
| 039      | 331940-4        | POIGNEE AVANT              |         | 1   |     | P37      |          |             |
| 040      | 452741-8        | RONDELLE                   |         | 1   |     | P5       |          |             |
| 041      | 234214-1        | RESSORT                    |         | 1   |     | P2       |          |             |
| 042      | 266475-5        | VIS TORX 5,5X20            |         | 3   |     | P1       |          |             |
| 043      | 346433-8        | PLAQUE DE FOND             |         | 1   |     | P21      |          |             |

| Position | Référence pièce | Description                  | Echelle | QTE | N/O | Option 1 | Option 2 | COMMENTAIRE |
|----------|-----------------|------------------------------|---------|-----|-----|----------|----------|-------------|
| 044      | 234213-3        | RESSORT 13                   |         | 1   |     | P3       |          |             |
| 045      | 266659-5        | BOULON A TETE CREUSE M6X30   |         | 1   |     | P1       |          |             |
| 046      | 452740-0        | PORTE AVANT INTERNE          |         | 1   |     | P2       |          |             |
| 047      | 318727-1        | GALET 45                     |         | 2   |     | P5       |          |             |
| 048      | 257972-2        | MANCHON 6,5                  |         | 2   |     | P1       |          |             |
| 049      | 266660-0        | BOULON A TETE CREUSE M5X16   |         | 2   |     | P1       |          |             |
| 050      | 424405-4        | PIED AVANT                   |         | 2   |     | P2       |          |             |
| 051      | 266652-9        | VIS M5 X 16                  |         | 4   | *   | P1       |          |             |
| 051-1    | 266849-0        | H.L.SOCKET HEAD BOLT M5X16   | O       | 4   |     |          |          |             |
| 052      | 318712-4        | MANCHON CAOUTCHOUC 22        |         | 1   |     | P21      |          |             |
| 053      | 140903-7        | COUVERCLE SUP CPL            |         | 1   |     | P20      |          |             |
| D10      |                 | INC. 54                      |         |     |     |          |          |             |
| 054      | 266692-7        | VIS PAILLON M6X15            |         | 1   |     | P4       |          |             |
| 056      | 141040-0        | COUVERCLE FILTRE CPL         |         | 1   |     | P25      |          |             |
| C10      | 893210-4        | CAUTION LABEL                |         | 1   |     |          |          |             |
| C20      | 893211-2        | CAUTION LABEL                |         | 1   |     |          |          |             |
| D10      |                 | INC. 57,58                   |         |     |     |          |          |             |
| 057      | 424409-6        | PLUG COVER                   |         | 1   |     | P3       |          |             |
| 058      | 424417-7        | PACKING                      |         | 1   |     | P2       |          |             |
| 061      | 266656-1        | VIS M5 X 40                  |         | 4   |     | P1       |          |             |
| 062      | 442165-6        | FILTRE A AIR                 |         | 1   |     | P64      |          |             |
| 063      | 424399-3        | FILTRE INTERIEUR             |         | 1   |     | P11      |          |             |
| 064      | 266127-8        | VIS PT3X20                   |         | 2   |     | P1       |          |             |
| 065      | 452739-5        | COUVERCLE DE SEPARATION      |         | 1   |     | P3       |          |             |
| 066      | 213459-4        | O'RING 32                    |         | 1   |     | P7       |          |             |
| 067      | 352012-2        | SEPARATEUR D'HUILE           |         | 1   |     | P10      |          |             |
| 068      | 266657-9        | BOULON A TETE CREUSE M5X45   |         | 2   |     | P1       |          |             |
| 069      | 452720-6        | SUPPORT FILTRE               |         | 1   |     | P64      |          |             |
| 070      | 442166-4        | JOINT CARBURATEUR            |         | 1   |     | P1       |          |             |
| 071      | 326040-3        | TRINGLE D'ACCELERATION       |         | 1   |     | P2       |          |             |
| 072      | 424407-0        | JOINT CAOUTCHOUC             |         | 1   |     | P1       |          |             |
| 073      | 168653-2        | CARBURATEUR WT               |         | 1   |     | P38      |          |             |
| D10      |                 | INC. 275-293,296-313,320-326 |         |     |     |          |          |             |
| 074      | 326041-1        | TRINGLE DE STARTER           |         | 1   |     | P2       |          |             |
| 075      | 422077-9        | TUBE 3-190                   |         | 1   |     | P1       |          |             |
| 076      | 422080-0        | TUBE 3-35                    |         | 1   |     | P1       |          |             |
| 077      | 452952-5        | HOSE JOINT                   |         | 1   |     | P2       |          |             |
| 078      | 422079-5        | TUBE 3-45                    |         | 1   |     | P1       |          |             |
| 079      | 424418-5        | JOINT                        |         | 1   |     | P7       |          |             |
| 080      | 422082-6        | TUBE 3-130                   |         | 1   |     | P2       |          |             |
| 081      | 422081-8        | TUBE 3-75                    |         | 1   |     | P1       |          |             |
| 082      | 452951-7        | RACCORD TUYAU 4-4            |         | 1   |     | P3       |          |             |
| 083      | 452799-7        | RACCORD TUYAU 4-6            |         | 1   |     | P1       |          |             |
| 084      | 452799-7        | RACCORD TUYAU 4-6            |         | 1   |     | P1       |          |             |
| 085      | 346397-6        | BAGUE GUIDE                  |         | 1   |     | P1       |          |             |
| 086      | 452724-8        | SUPPORT CARBURATEUR          |         | 1   |     | P7       |          |             |
| 087      | 424397-7        | CONDUITE D'ASPIRATION        |         | 1   |     | P22      |          |             |
| 088      | 346495-6        | BAGUE                        |         | 1   |     | P11      |          |             |



| Position | Référence pièce | Description                | Echelle | QTE | N/O | Option 1 | Option 2 | COMMENTAIRE |
|----------|-----------------|----------------------------|---------|-----|-----|----------|----------|-------------|
| 089      | 266654-5        | BOULON A TETE CREUSE M5X25 |         | 2   | *   | P1       |          |             |
| 089-1    | 266852-1        | H.L.SOCKET HEAD BOLT M5X25 | O       | 2   |     |          |          |             |
| 090      | 140898-4        | CACHE CULBUTEURS CPL       |         | 1   |     | P14      |          |             |
| D10      |                 | INC. 91-93                 |         |     |     |          |          |             |
| 091      | 422073-7        | TUBE 3-8                   |         | 1   |     | P1       |          |             |
| 092      | 318708-5        | CARTER SUPERIEUR           |         | 1   |     | P4       |          |             |
| 093      | 452726-4        | CONDUITE HUILE             |         | 1   |     | P7       |          |             |
| 094      | 345918-1        | BAGUE                      |         | 1   |     | P1       |          |             |
| 095      | 422078-7        | TUBE 5-70                  |         | 1   |     | P1       |          |             |
| 096      | 345918-1        | BAGUE                      |         | 1   |     | P1       |          |             |
| 097      | 422076-1        | TUBE 3-170                 |         | 1   |     | P3       |          |             |
| 098      | 126006-1        | BOBINE D' ALLUMAGE         |         | 1   |     | P29      |          |             |
| D10      |                 | INC. 99-101                |         |     |     |          |          |             |
| 099      | 424105-6        | COSSE DE BOUGIE            |         | 1   |     | P1       |          |             |
| 100      | 125920-8        | IGNITION COIL              |         | 1   |     | P28      |          |             |
| 101      | 326148-3        | CAPUCHON DE FICHE          |         | 1   |     | P5       |          |             |
| 102      | 168652-4        | BOUGIE                     |         | 1   |     | P64      |          |             |
| 103      | 125946-0        | CYLINDER HEAD ASSEMBLY     |         | 1   |     | P36      |          |             |
| D10      |                 | INC. 104-106               |         |     |     |          |          |             |
| 104      | 140928-1        | CULASSE COMPLETE           |         | 1   |     | P32      |          |             |
| 105      | 331969-0        | VALVE GUIDE                |         | 2   |     | P2       |          |             |
| 106      | 424424-0        | VALVE STEM SEAL            |         | 1   |     | P5       |          |             |
| 107      | 266660-0        | BOULON A TETE CREUSE M5X16 |         | 5   |     | P1       |          |             |
| 108      | 234212-5        | RESSORT DE COMPRESSION 11  |         | 2   |     | P1       |          |             |
| 109      | 331966-6        | COUPELLE                   |         | 2   |     | P1       |          |             |
| 110      | 346400-3        | JOINT CACHE CULBUTEUR      |         | 1   |     | P2       |          |             |
| 111      | 331937-3        | ENTRETOISE ECHAPPEMENT     |         | 1   |     | P1       |          |             |
| 112      | 256201-0        | AXE 5                      |         | 1   | *   | P3       |          |             |
| 112-1    | 268310-3        | AXE 5                      | O       | 1   |     | P3       |          |             |
| 113      | 346399-2        | JOINT SILENCIEUX           |         | 1   |     | P11      |          |             |
| 114      | 168638-8        | CARTER D'ECHAPPEMENT       |         | 1   |     | P27      |          |             |
| 115      | 266693-5        | BOULON A TETE CREUSE M6X20 |         | 3   | *   | P1       |          |             |
| 115-1    | 266693-5        | BOULON A TETE CREUSE M6X20 | <       | 3   |     | P1       |          |             |
| 116      | 126005-3        | BRAS DE CULBUTEUR          |         | 2   |     | P16      |          |             |
| 117      | 256526-2        | TIGE DE CULBUTEUR          |         | 2   |     | P2       |          |             |
| 118      | 442167-2        | JOINT DE TETE DE CYLINDRE  |         | 1   |     | P10      |          |             |
| 119      | 331965-8        | SOUPAPE D'EMISSION         |         | 1   |     | P17      |          |             |
| 120      | 331964-0        | SOUPAPE D'ADMISSION        |         | 1   |     | P6       |          |             |
| 121      | 266659-5        | BOULON A TETE CREUSE M6X30 |         | 1   |     | P1       |          |             |
| 122      | 318729-7        | PORTE CENTRE INTERNE       |         | 1   |     | P5       |          |             |
| 123      | 140901-1        | BLOC CYLINDRE CPL          |         | 1   |     | P44      |          |             |
| 124      | 638776-5        | LEAD UNIT                  |         | 1   |     | P4       |          |             |
| 125      | 266652-9        | VIS M5 X 16                |         | 2   | *   | P1       |          |             |
| 125-1    | 266849-0        | H.L.SOCKET HEAD BOLT M5X16 | O       | 2   |     |          |          |             |
| 126      | 256200-2        | AXE 5                      |         | 1   |     | P2       |          |             |
| 127      | 125934-7        | PIGNON COMPLET CAME        |         | 1   | *   | P66      |          |             |
| D10      |                 | INC. 128-131               |         |     | *   |          |          |             |
| 127-1    | 123299-1        | CAM GEAR ASSEMBLY          | <       | 1   |     |          |          |             |

| Position | Référence pièce | Description                | Echelle | QTE | N/O | Option 1 | Option 2 | COMMENTAIRE |
|----------|-----------------|----------------------------|---------|-----|-----|----------|----------|-------------|
| D10      |                 | INC. 128-131               |         |     |     |          |          |             |
| 128      | 140817-0        | CAM GEAR COMPLETE          |         | 1   |     | P22      |          |             |
| 129      | 233582-9        | TORSION SPRING 9           |         | 1   | *   | P8       |          |             |
| 129-1    | 233623-1        | TORSION SPRING 9           | <       | 1   |     |          |          |             |
| 130      | 346434-6        | CAM GEAR PLATE             |         | 1   |     | P10      |          |             |
| 131      | 318707-7        | ROUE POLAIRE               |         | 1   |     | P1       |          |             |
| 132      | 256186-0        | AXE 5                      |         | 1   |     | P1       |          |             |
| 133      | 313209-8        | LEVIER A CAME GAUCHE       |         | 1   |     | P6       |          |             |
| 134      | 313210-3        | LEVIER A CAME DROIT        |         | 1   |     | P6       |          |             |
| 135      | 442168-0        | JOINT DE CARTER            |         | 1   |     | P5       |          |             |
| 136      | 318725-5        | COUVERCLE CAME             |         | 1   |     | P7       |          |             |
| 137      | 266652-9        | VIS M5 X 16                |         | 4   | *   | P1       |          |             |
| 137-1    | 266849-0        | H.L.SOCKET HEAD BOLT M5X16 | O       | 4   |     |          |          |             |
| 138      | 213599-8        | BAGUE D'ETANCHEITE         |         | 1   | *   | P2       |          |             |
| 138-1    | 213599-8        | BAGUE D'ETANCHEITE         | O       | 1   |     | P2       |          |             |
| 139      | 254001-2        | CLAVETTE WOODR M4X13       |         | 1   |     | P7       |          |             |
| 140      | 140900-3        | VILEBREQUIN CPL            |         | 1   |     | P41      |          |             |
| 141      | 233995-4        | RESSORT 12                 |         | 2   |     | P14      |          |             |
| 142      | 326039-8        | AXE DE PISTON              |         | 1   |     | P2       |          |             |
| 143      | 318726-3        | PISTON                     |         | 1   |     | P23      |          |             |
| 144      | 257332-8        | SECOND RING                |         | 1   | *   | P15      |          |             |
| 144-1    | 197458-3        | ACCESSORY SET              | <       | 1   |     |          |          |             |
| 145      | 257333-6        | OIL RING                   |         | 1   | *   | P12      |          |             |
| 146      | 257331-0        | TOP RING                   |         | 1   | *   | P15      |          |             |
| 147      | 266659-5        | BOULON A TETE CREUSE M6X30 |         | 1   |     | P1       |          |             |
| 148      | 638777-3        | LEAD UNIT                  |         | 1   |     | P4       |          |             |
| 149      | 232268-2        | RESSORT DE CONTACT         |         | 1   |     | P1       |          |             |
| 150      | 318730-2        | PORTE ARRIERE EXTERNE      |         | 1   |     | P1       |          |             |
| 151      | 234214-1        | RESSORT                    |         | 1   |     | P2       |          |             |
| 152      | 266659-5        | BOULON A TETE CREUSE M6X30 |         | 8   |     | P1       |          |             |
| 153      | 424201-0        | SOUPAPE                    |         | 2   |     | P2       |          |             |
| 154      | 424406-2        | COSSE                      |         | 1   |     | P5       |          |             |
| 156      | 266652-9        | VIS M5 X 16                |         | 3   | *   | P1       |          |             |
| 156-1    | 266849-0        | H.L.SOCKET HEAD BOLT M5X16 | O       | 3   |     |          |          |             |
| 157      | 452738-7        | JOINT                      |         | 1   |     | P2       |          |             |
| 158      | 345918-1        | BAGUE                      |         | 1   |     | P1       |          |             |
| 159      | 422084-2        | TUBE                       |         | 1   |     | P6       |          |             |
| 160      | 346398-4        | PLAQUE DE CENTRAGE         |         | 1   |     | P1       |          |             |
| 161      | 318709-3        | RONDELLE DE MAINTIEN       |         | 1   |     | P1       |          |             |
| 162      | 266652-9        | VIS M5 X 16                |         | 1   | *   | P1       |          |             |
| 162-1    | 266849-0        | H.L.SOCKET HEAD BOLT M5X16 | O       | 1   |     |          |          |             |
| 163      | 345918-1        | BAGUE                      |         | 1   |     | P1       |          |             |
| 164      | 168655-8        | DURITE HUILE CPL           |         | 1   |     | P10      |          |             |
| D10      |                 | INC. 165,166               |         |     |     |          |          |             |
| 165      | 326177-6        | RETENUE D'HUILE            |         | 1   |     | P3       |          |             |
| 166      | 424384-6        | DURITE D'HUILE             |         | 1   |     | P5       |          |             |
| 167      | 318710-8        | CARTER D'HUILE             |         | 1   |     | P18      |          |             |
| 168      | 346452-4        | GASKET                     |         | 1   |     | P1       |          |             |

| Position | Référence pièce | Description                | Echelle | QTE | N/O | Option 1 | Option 2 | COMMENTAIRE |
|----------|-----------------|----------------------------|---------|-----|-----|----------|----------|-------------|
| 169      | 921412-3        | BOULON M10X25              |         | 1   |     | P1       |          |             |
| 170      | 266652-9        | VIS M5 X 16                |         | 4   | *   | P1       |          |             |
| 170-1    | 266849-0        | H.L.SOCKET HEAD BOLT M5X16 | O       | 4   |     |          |          |             |
| 171      | 213548-5        | O RING 20                  |         | 1   |     | P1       |          |             |
| 172      | 266862-8        | BOULON M5X16               |         | 2   |     | P1       |          |             |
| 173      | 452614-5        | CONDUIT D'HUILE            |         | 1   |     | P12      |          |             |
| 174      | 140899-2        | BOUCHON RESERVOIR CPL      |         | 1   |     | P7       |          |             |
| D10      |                 | INC. 175                   |         |     |     |          |          |             |
| 175      | 424421-6        | BOUCHON DE RESERVOIR       |         | 1   |     | P14      |          |             |
| 176      | 318704-3        | ROUE POLAIRE               |         | 1   |     | P1       |          |             |
| 177      | 264054-3        | ECROU M10                  |         | 1   |     | P1       |          |             |
| 178      | 452617-9        | COUVERCLE DE CYLINDRE      |         | 1   |     | P63      |          |             |
| 179      | 266652-9        | VIS M5 X 16                |         | 1   | *   | P1       |          |             |
| 179-1    | 266849-0        | H.L.SOCKET HEAD BOLT M5X16 | O       | 1   |     |          |          |             |
| 180      | 452616-1        | COUVERCLE                  |         | 1   |     | P15      |          |             |
| 181      | 266655-3        | BOULON A TETE CREUSE M5X30 |         | 4   |     | P62      |          |             |
| 182      | 266659-5        | BOULON A TETE CREUSE M6X30 |         | 1   |     | P1       |          |             |
| 183      | 318728-9        | PORTE AVANT EXTERNE        |         | 1   |     | P1       |          |             |
| 184      | 267448-1        | RONDELLE PLATE 41          |         | 1   |     | P7       |          |             |
| 185      | 213598-0        | JOINT HUILE                |         | 1   |     | P2       |          |             |
| 186      | 318711-6        | CARTER COTE EMBRAYAGE      |         | 1   | *   | P63      |          |             |
| 186-1    | 319234-7        | CUTTING ARM                | S       | 1   |     |          |          |             |
| 187      | 234214-1        | RESSORT                    |         | 1   |     | P2       |          |             |
| 188      | 318730-2        | PORTE ARRIERE EXTERNE      |         | 1   |     | P1       |          |             |
| 189      | 266659-5        | BOULON A TETE CREUSE M6X30 |         | 1   |     | P1       |          |             |
| 190      | 266658-7        | BOULON A TETE CREUSE M6X25 |         | 5   |     | P10      |          |             |
| 191      | 225094-6        | COURROIE EN V 5-800        |         | 1   |     | P1       |          |             |
| 192      | 331970-5        | ENTRETOISE 17              |         | 1   |     | P25      |          |             |
| 193      | 125945-2        | CLUTCH DRUM ASSEMBLY       |         | 1   |     | P29      |          |             |
| D10      |                 | INC. 194-196               |         |     |     |          |          |             |
| 194      | 165636-3        | CLUTCH DRUM                |         | 1   |     | P26      |          |             |
| 195      | 962163-9        | CIRCLIP MOD R INT 35       |         | 1   |     | P7       |          |             |
| 196      | 210138-5        | BALL BEARING 6003LLU       |         | 1   |     | P12      |          |             |
| 197      | 331970-5        | ENTRETOISE 17              |         | 1   |     | P25      |          |             |
| 198      | 168656-6        | CLUTCH COMPLETE            |         | 1   | *   | P28      |          |             |
| D10      |                 | INC. 199-201               |         |     | *   |          |          |             |
| 198-1    | 168834-8        | CLUTCH COMPLETE            | <       | 1   |     |          |          |             |
| D10      |                 | INC. 199-201               |         |     |     |          |          |             |
| 199      | 231871-6        | TENSION SPRING 6           |         | 3   | *   | P9       |          |             |
| 199-1    | 231884-7        | TENSION SPRING 6           | <       | 3   |     | P9       |          |             |
| 200      | 313207-2        | CLUTCH SHOE                |         | 3   |     | P17      |          |             |
| 201      | 313208-0        | CLUTCH HOLDER              |         | 1   |     | P21      |          |             |
| 202      | 893121-3        | PLAQUE LABEL EK7651H       |         | 1   |     | P1       |          |             |
| 203      | 266792-3        | BOULON A TETE CREUSE M5X18 |         | 3   |     | P1       |          |             |
| 204      | 125919-3        | STARTER ASSEMBLY           |         | 1   |     | P30      |          |             |
| D10      |                 | INC. 205-212               |         |     |     |          |          |             |
| 205      | 424501-8        | BOUTON DE DEMARRAGE        |         | 1   |     | P64      |          |             |
| 206      | 332046-1        | GUIDE DE CABLE             |         | 1   |     | P1       |          |             |

| Position | Référence pièce | Description                    | Echelle | QTE | N/O | Option 1 | Option 2 | COMMENTAIRE |
|----------|-----------------|--------------------------------|---------|-----|-----|----------|----------|-------------|
| 207      | 452613-7        | CARTER DE LANCEUR              |         | 1   |     | P62      |          |             |
| 208      | 232262-4        | RESSORT DE RAPPEL              |         | 1   |     | P11      |          |             |
| 209      | 444040-2        | CABLE DE DEMARRAGE             |         | 1   |     | P62      |          |             |
| 210      | 424500-0        | ARRETE-CORDE                   |         | 1   |     | P5       |          |             |
| 211      | 453466-7        | POULIE                         |         | 1   |     | P64      |          |             |
| 212      | 266634-1        | CHEVILLE M6X20                 |         | 1   |     | P4       |          |             |
| 213      | 452930-5        | SUPPORT                        |         | 1   |     | P1       |          |             |
| 214      | 266653-7        | VIS M5 X 20                    |         | 3   | *   | P1       |          |             |
| 214-1    | 266847-4        | H.L.SOCKET HEAD BOLT M5X20     | O       | 3   |     |          |          |             |
| 215      | 452621-8        | COUVERCLE DE DEBRAYAGE 6827    |         | 1   | *   | P64      |          |             |
| 215-1    | 455559-6        | CLUTCH COVER                   | S       | 1   |     |          |          |             |
| 216      | 264080-2        | ECROU HEX M10-17               |         | 1   |     | P3       |          |             |
| 218      | 266784-2        | BOULON A TETE CREUSE M5X16     |         | 3   | *   | P64      |          |             |
| 218-1    | 266859-7        | H.L.SOCKET HEAD BOLT M5X12     | O       | 3   |     |          |          |             |
| 219      | 140816-2        | CLIQUET COMPLET                |         | 1   |     | P35      |          |             |
| 224      | 266690-1        | VIS HEXAGONAL M8X25 JR3030T    |         | 1   |     | P1       |          |             |
| 225      | 224443-4        | BRIDE                          |         | 1   |     | P2       |          |             |
| 226      | 257312-4        | BAGUE 17                       |         | 1   |     | P2       |          |             |
| 227      | 224443-4        | BRIDE                          |         | 1   |     | P2       |          |             |
| 228      | 318746-7        | BAGUE DE PRESSION              |         | 1   |     | P11      |          |             |
| 229      | 442169-8        | DISQUE DE GLISSEMENT           |         | 1   |     | P16      |          |             |
| 230      | 424426-6        | RONDELLE CAOUTCHOUC INT        |         | 1   |     | P3       |          |             |
| 231      | 266689-6        | BOULON M6                      |         | 3   | *   | P4       |          |             |
| 231-1    | 266970-5        | H.L.SOCKET HEAD COLLAR BOLT M6 | O       | 3   |     |          |          |             |
| 232      | 234216-7        | RESSORT 8                      |         | 3   |     | P1       |          |             |
| 233      | 318722-1        | COUVERCLE                      |         | 1   |     | P62      |          |             |
| 234      | 213625-3        | O-RING 9                       |         | 1   |     | P1       |          |             |
| 235      | 326038-0        | TIGE                           |         | 1   |     | P5       |          |             |
| 236      | 266688-8        | ECROU M8                       |         | 2   |     | P1       |          |             |
| 237      | 442169-8        | DISQUE DE GLISSEMENT           |         | 1   |     | P16      |          |             |
| 238      | 346455-8        | TOLE DE BUTEE                  |         | 1   |     | P1       |          |             |
| 239      | 424427-4        | RONDELLE CAOUTCHOUC EXT        |         | 1   |     | P7       |          |             |
| 240      | 266725-8        | BOULON A TETE CREUSE M5X16     |         | 2   |     | P4       |          |             |
| 241      | 452938-9        | POIGNEE                        |         | 1   |     | P1       |          |             |
| 242      | 141042-6        | CAPOT COMPLET                  |         | 1   |     | P37      |          |             |
| C10      | 893218-8        | ETIQUETTE EK7651H              |         | 1   |     | P4       |          |             |
| 244      | 213162-7        | O'RING 14                      |         | 1   |     | P2       |          |             |
| 245      | 257971-4        | BAGUE 17                       |         | 1   |     | P1       |          |             |
| 246      | 211281-3        | ROULEMENT A BILLES 6203LLU     |         | 1   |     | P16      |          |             |
| 247      | 962157-4        | CIRCLIP MOD R INT 40           |         | 1   |     | P10      |          |             |
| 248      | 326062-3        | AXE                            |         | 1   |     | P9       |          |             |
| 249      | 211281-3        | ROULEMENT A BILLES 6203LLU     |         | 1   |     | P16      |          |             |
| 250      | 222174-9        | POULIE V 5-95.8                |         | 1   |     | P10      |          |             |
| 251      | 266690-1        | VIS HEXAGONAL M8X25 JR3030T    |         | 1   |     | P1       |          |             |
| 252      | 452698-3        | COUVERCLE DE COURROIE          |         | 1   | *   | P1       |          |             |
| 252-1    | 455936-2        | BELT COVER                     | S       | 1   |     |          |          |             |
| 253      | 266691-9        | VIS DE TENSION M6              |         | 1   |     | P17      |          |             |
| 254      | 234215-9        | RESSORT                        |         | 1   |     | P1       |          |             |

| Position | Référence pièce | Description                    | Echelle | QTE | N/O | Option 1 | Option 2 | COMMENTAIRE |
|----------|-----------------|--------------------------------|---------|-----|-----|----------|----------|-------------|
| 255      | 252157-5        | ETRIER FILETE M6               |         | 1   |     | P3       |          |             |
| 256      | 346457-4        | PLAQUE                         |         | 1   |     | P1       |          |             |
| 257      | 264081-0        | ECROU M8                       |         | 2   | *   | P1       |          |             |
| 257-1    | 264055-1        | ECROU HEXAGONAL                | S       | 2   |     | P1       |          |             |
| 258      | 424023-8        | BAGUE 9                        |         | 1   |     | P1       |          |             |
| 259      | 346554-6        | PLAQUE                         |         | 1   |     | P4       |          |             |
| 260      | 424316-3        | SOUPAPE                        |         | 1   |     | P5       |          |             |
| 261      | 166106-5        | SAC A POUSSIERE                |         | 1   |     | P3       |          |             |
| 262      | 424499-9        | RUBBER SLEEVE 22               |         | 1   |     | P2       |          |             |
| 263      | 800E23-6        | CAUTION LABEL                  |         | 1   |     |          |          |             |
| 264      | 346611-0        | JOINT COUVERCLE STARTER        |         | 1   |     | P7       |          |             |
| 265      | 331967-4        | GOUPILLE FENDUE                |         | 4   |     | P1       |          |             |
| 266      | 346589-7        | PROTECTION ECHAPPEMENT         |         | 1   |     | P22      |          |             |
| 267      | 266782-6        | BOULON M5X16                   |         | 2   |     | P1       |          |             |
| 268      | 325665-0        | RACCORD                        |         | 4   |     | P1       |          |             |
| 269      | 331897-9        | BILLE                          |         | 2   |     | P1       |          |             |
| 270      | 897179-4        | SERIAL NO. LABEL               |         | 1   | *   |          |          |             |
| 270-1    | 850F72-9        | SERIAL NO. LABEL               | O       | 1   |     |          |          |             |
| 275      | WJ00096589      | SCREW ASSEMBLY                 |         | 4   |     | P2       |          |             |
| 276      | 141943-8        | METERING COVER ASSEMBLY        |         | 1   |     |          |          |             |
| 277      | 168620-7        | METERING DIAPHRAGM             |         | 1   |     | P17      |          |             |
| 278      | 442183-4        | METERING DIAPHRAGM GASKET      |         | 1   |     | P4       |          |             |
| 279      | WJ00096475      | SCREW                          |         | 1   |     | P1       |          |             |
| 280      | WJ00183498      | THROTTLE LEVER                 |         | 1   |     |          |          |             |
| 281      | WJ00983707      | SPRING                         |         | 1   |     |          |          |             |
| 282      | WJ00014886      | BUSHING                        |         | 1   |     |          |          |             |
| 283      | WJ00148545      | BUSHING                        |         | 1   |     |          |          |             |
| 284      | WJ00015631      | SEAL-THROTTLE SHAFT            |         | 1   |     |          |          |             |
| 285      | WJ00088119      | PLUG CAP                       |         | 1   |     |          |          |             |
| 286      | WJ00343480      | VALVE-CHOKE                    |         | 1   |     |          |          |             |
| 287      | WJ00096475      | SCREW                          |         | 1   |     | P1       |          |             |
| 288      | 5806122220      | BALL                           |         | 1   |     |          |          |             |
| 289      | 5806122210      | SPRING                         |         | 1   |     |          |          |             |
| 290      | 352010-6        | INLET SCREEN                   |         | 1   |     | P1       |          |             |
| 291      | WJ00009589      | DIAPHRAGM-PUMP                 |         | 1   |     | P6       |          |             |
| 292      | 442192-3        | PUMP GASKET                    |         | 1   |     |          |          |             |
| 293      | 234183-6        | CONICAL COMPRESSION SPRING 5-9 |         | 1   |     | P1       |          |             |
| 296      | 5106045250      | SPRING                         |         | 1   |     |          |          |             |
| 297      | WJ00096368      | IDLE ADJUST SCREW              |         | 1   |     |          |          |             |
| 298      | 5016004110      | SCREW                          |         | 1   |     |          |          |             |
| 299      | WJ00014477      | PIN-METERING LEVER             |         | 1   |     | P1       |          |             |
| 300      | WJ00016648      | LEVER                          |         | 1   |     | P3       |          |             |
| 301      | WJ00008282      | VALVE-INLET NEEDLE             |         | 1   |     | P10      |          |             |
| 302      | 234277-7        | COMPRESSION SPRING 3           |         | 1   |     |          |          |             |
| 303      | 5416036160      | PLUG-WELCH                     |         | 1   |     |          |          |             |
| 304      | WJ00088229      | PLUG-CUP                       |         | 1   |     | P1       |          |             |
| 305      | WJ00008995      | BALL                           |         | 1   |     |          |          |             |
| 306      | WJ00160580      | PISTON ASSEMBLY ACCELERATOR    |         | 1   |     |          |          |             |

