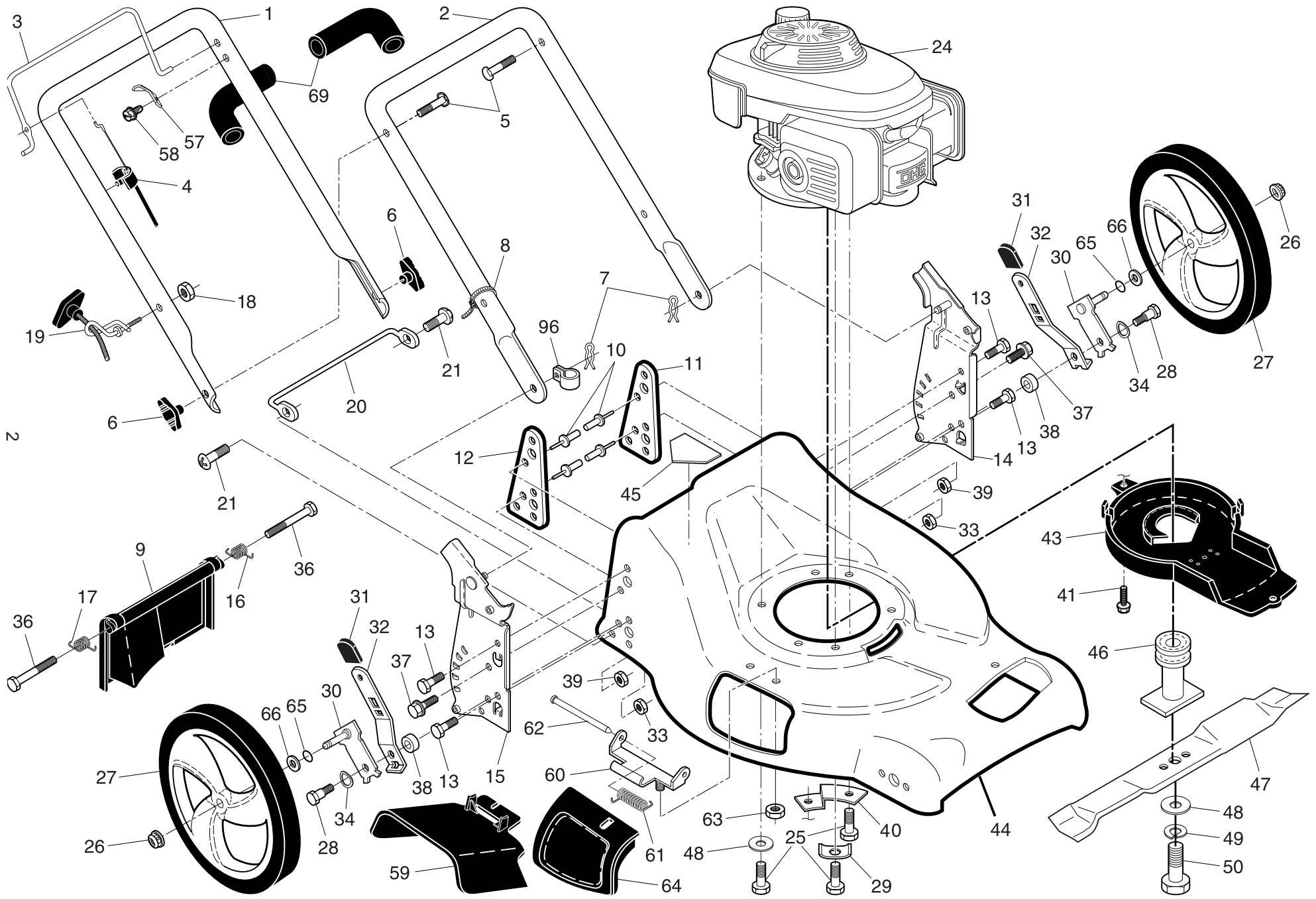


ILLUSTRATED PARTS LIST

MODEL NUMBER M53-190DWA
PRODUCT NUMBER 961 41 01-64
MFG. ID. NUMBER 96141016400

ROTARY LAWN MOWER - MODEL NUMBER M53-190DWA (96141016400) PRODUCT NO. 961 41 01-64

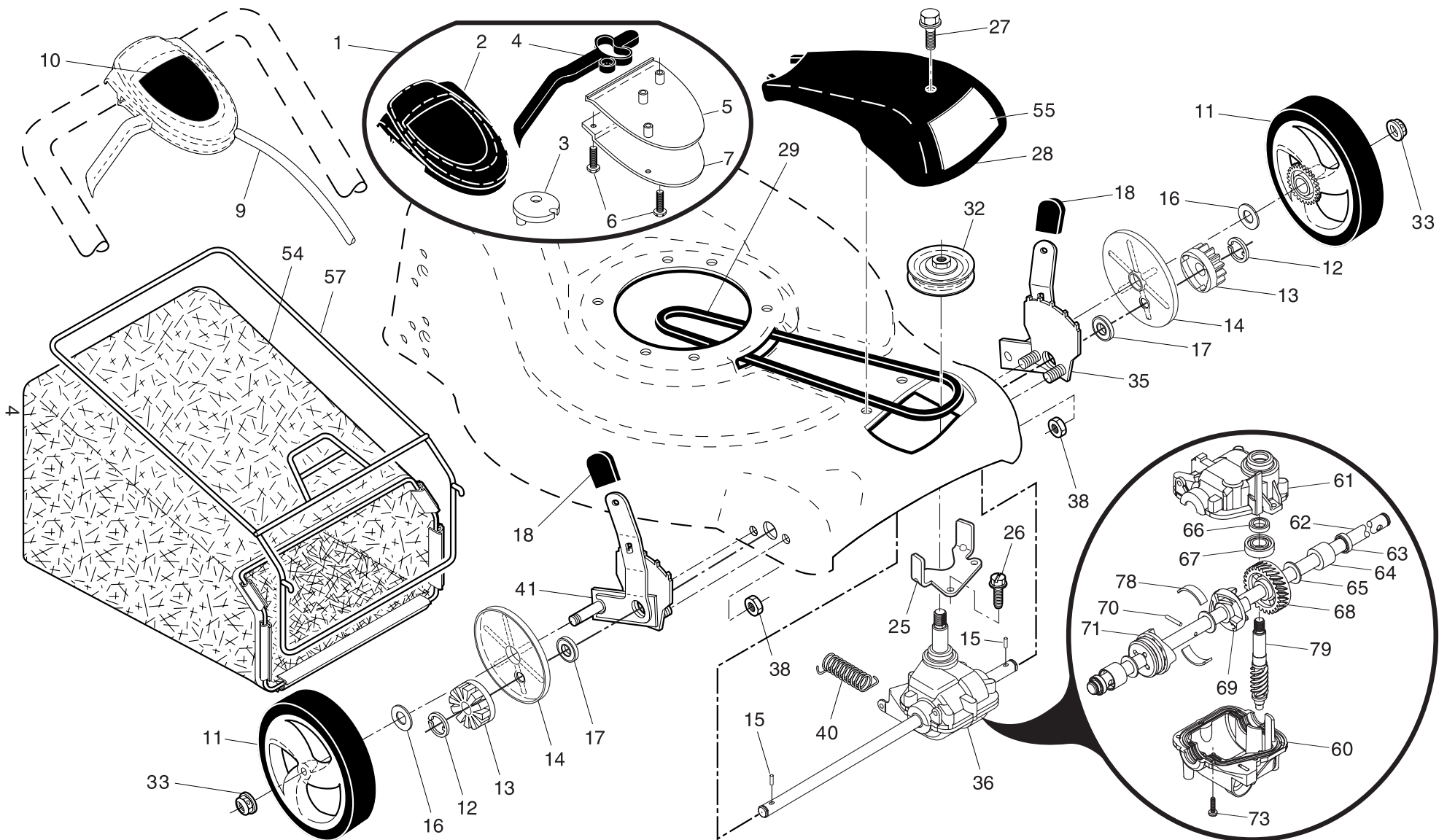


ROTARY LAWN MOWER - MODEL NUMBER M53-190DWA (96141016400) PRODUCT NO. 961 41 01-64

KEY NO.	PART NO.	DESCRIPTION	KEY NO.	PART NO.	DESCRIPTION
1	532 40 31-95	Upper Handle (Includes Foam Grip)	34	532 40 16-30	Washer, Curved, Cylindrical
2	532 15 36-05	Lower Handle	36	532 18 41-93	Bolt
3	532 40 29-32	Control Bar	37	874 78 05-12	Thread Cutting Screw w/Sems 5/16-18 x 3/4
4	532 18 35-67	Engine Zone Control Cable	38	532 40 16-29	Spacer
5	532 19 15-74	Handle Bolt	39	532 15 53-77	Nut, Hex, Flanged 5/16-18
6	532 19 19-38	Handle Knob	40	532 19 09-39	Mounting Bracket, Debris Shield
7	532 05 17-93	Hairpin Cotter	41	532 19 23-25	Screw
8	532 06 64-26	Wire Tie	43	532 40 58-44	Debris Shield
9	532 40 69-85	Rear Door	44	532 40 92-65	Kit, Lawn Mower Housing (Includes Key Numbers 10, 11, 12 and 45)
10	532 12 84-15	Pop Rivet	45	532 18 21-66	Danger Decal
11	532 41 05-40	Support Bracket, LH	46	532 19 77-52	Blade Adapter / Pulley
12	532 41 05-42	Support Bracket, RH	47	532 19 93-77	Blade, 21"
13	817 06 04-10	Screw 1/4-20 x 5/8	48	532 85 10-74	Hardened Washer
14	532 19 60-37	Handle Bracket Assembly, LH	49	532 85 02-63	Helical Washer 3/8-24 x 1-3/8 Grade 8
15	532 19 60-36	Handle Bracket Assembly, RH	50	532 85 10-84	Hex Head Machine Screw 3/8-24 x 1-3/8 Grade 8
16	532 40 54-17	Spring, Rear Door, LH	57	532 12 51-62	Upstop Bracket
17	532 40 54-18	Spring, Rear Door, RH	58	532 75 06-34	Screw
18	532 13 20-04	Keys Locknut 1/4-20	59	532 17 50-71	Discharge Deflector
19	532 19 47-88	Rope Guide	60	532 17 57-35	Hinge Bracket
20	532 41 35-43	Foot Guard, C.E.	61	532 19 30-00	Hinge Spring
21	817 49 04-16	Screw, Tapping 1/4-20 x 1/2	62	532 17 56-50	Hinge Rod
24	---	Engine, Honda, Model Number GCV190 (order parts from engine manufacturer)	63	873 80 04-00	Nut, Hex
25	532 15 04-06	Hex Head Thread Rolling Screw 3/8-16 x 1-1/8	64	532 17 50-66	Mulcher Door
26	532 40 91-49	Hex Flange Nut	65	532 19 74-80	O-Ring
27	532 40 29-35	Wheel & Tire Assembly, Rear, 12"	66	532 08 83-48	Washer, Flat
28	532 40 16-38	Shoulder Bolt 5/16-18 x .33	69	532 18 27-48	Grip, Foam
29	532 12 50-78	Washer, Special, Engine, Zinc-Plated	96	532 19 79-91	Clip, Cable
30	532 41 31-41	Axle Arm Assembly, Rear	--	532 18 21-34	Decal, Warning (not shown)
31	532 70 10-37	Selector Knob	--	532 41 58-13	Operator's Manual, European
32	532 40 98-89	Selector Spring	--	532 41 58-14	Operator's Manual, Scandinavian
33	873 80 05-00	Nut, Hex 5/16-18	--	532 41 58-12	Operator's Manual, East Bloc
			--	532 41 58-15	Operator's Manual, Baltic

NOTE: All component dimensions given in U.S. inches. 1 inch = 25.4 mm. **IMPORTANT:** Use only Original Equipment Manufacturer (O.E.M.) replacement parts. Failure to do so could be hazardous, damage your lawn mower and void your warranty.

ROTARY LAWN MOWER - MODEL NUMBER M53-190DWA (96141016400) PRODUCT NO. 961 41 01-64



ROTARY LAWN MOWER - MODEL NUMBER M53-190DWA (96141016400) PRODUCT NO. 961 41 01-64

KEY NO.	PART NO.	DESCRIPTION
1	532 40 73-41	Drive Control Assembly, with Cable
2	532 41 35-42	Cover, Drive Control, Top
3	532 40 62-62	Pulley, Drive Control
4	532 19 00-39	Lever, Drive Control
5	532 41 35-41	Cover, Drive Control, Bottom
6	532 18 16-98	Screw #8 x .62
7	532 40 07-23	Mounting Bracket, Drive Control
9	532 40 62-59	Cable, Drive Control
10	532 41 01-19	Decal, Drive Control
11	532 40 29-36	Wheel & Tire Assembly, Front (Driven)
12	812 00 00-58	E-Ring
13	532 40 38-49	Pinion Assembly
14	532 18 94-03	Dust Cover
15	532 40 48-45	Pawl, Drive
16	532 06 77-25	Washer 1/2 x 1-1/2 x .134
17	532 19 10-39	Bearing, Wheel Adjuster
18	532 08 78-77	Selector Knob
25	532 41 16-63	Belt Keeper
26	532 16 34-09	Screw, Hi-Lo Thread #12 x 5/8
27	532 17 52-62	Pan Head Tapping Screw #10-24 x 2-3/4
28	532 18 14-67	Drive Cover
29	532 19 41-49	V-Belt
32	532 19 40-18	Drive Pulley
33	532 40 91-48	Locknut, Hex

KEY NO.	PART NO.	DESCRIPTION
35	532 40 88-62	Kit, Wheel Adjuster, LH (Includes Knob and Bearing)
36	532 40 48-33	Gearcase Assembly, Complete
38	873 80 04-00	Locknut, Hex 1/4-20
40	532 40 65-58	Spring
41	532 40 88-61	Kit, Wheel Adjuster, RH (Includes Knob and Bearing)
54	532 19 48-53	Grassbag
55	532 41 52-99	Decal, Drive Cover
57	532 41 19-50	Frame, Grassbag
61	532 41 07-26	Case, Upper
62	532 41 09-49	Shaft, Output
63	532 18 35-08	Seal, Output Shaft
64	532 18 35-11	Bushing
65	532 18 35-09	Washer
66	532 18 35-14	Seal, Worm Shaft
67	532 18 35-06	Bearing, Ball
68	532 41 07-29	Gear, 28 Teeth
69	532 41 07-32	Fixed Dog Clutch
70	532 41 07-33	Pin
71	532 41 07-30	Movable Dog Clutch
73	532 18 35-13	Screw, Case
74	532 41 07-34	Case, Lower
78	532 41 07-31	Spring, Leaf
79	532 41 07-27	Shaft, Worm

NOTE: All component dimensions given in U.S. inches. 1 inch = 25.4 mm. **IMPORTANT:** Use only Original Equipment Manufacturer (O.E.M.) replacement parts. Failure to do so could be hazardous, damage your lawn mower and void your warranty.