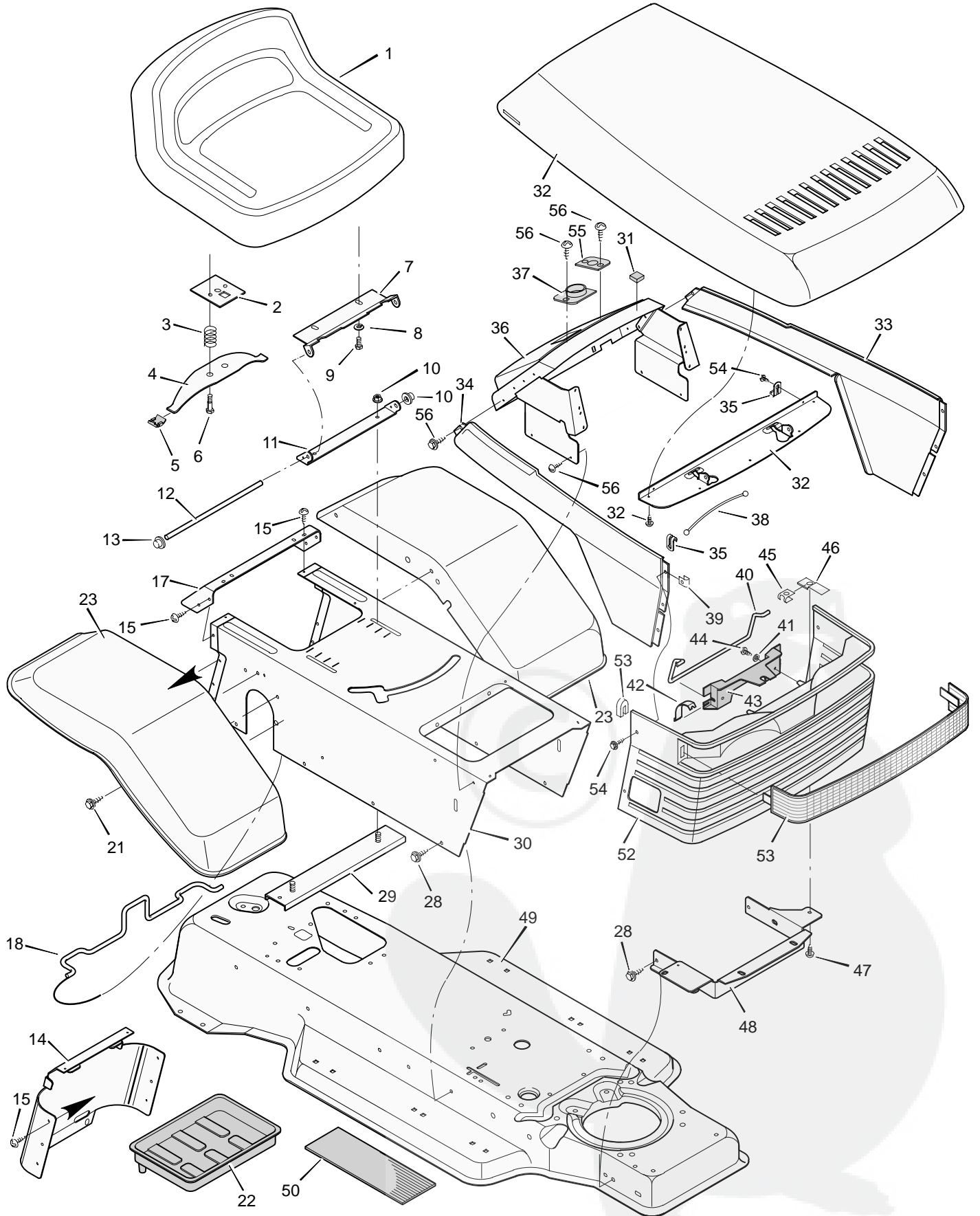


MODEL 31621x70G

REPAIR PARTS CHASSIS & HOOD



MODEL 31621x70G

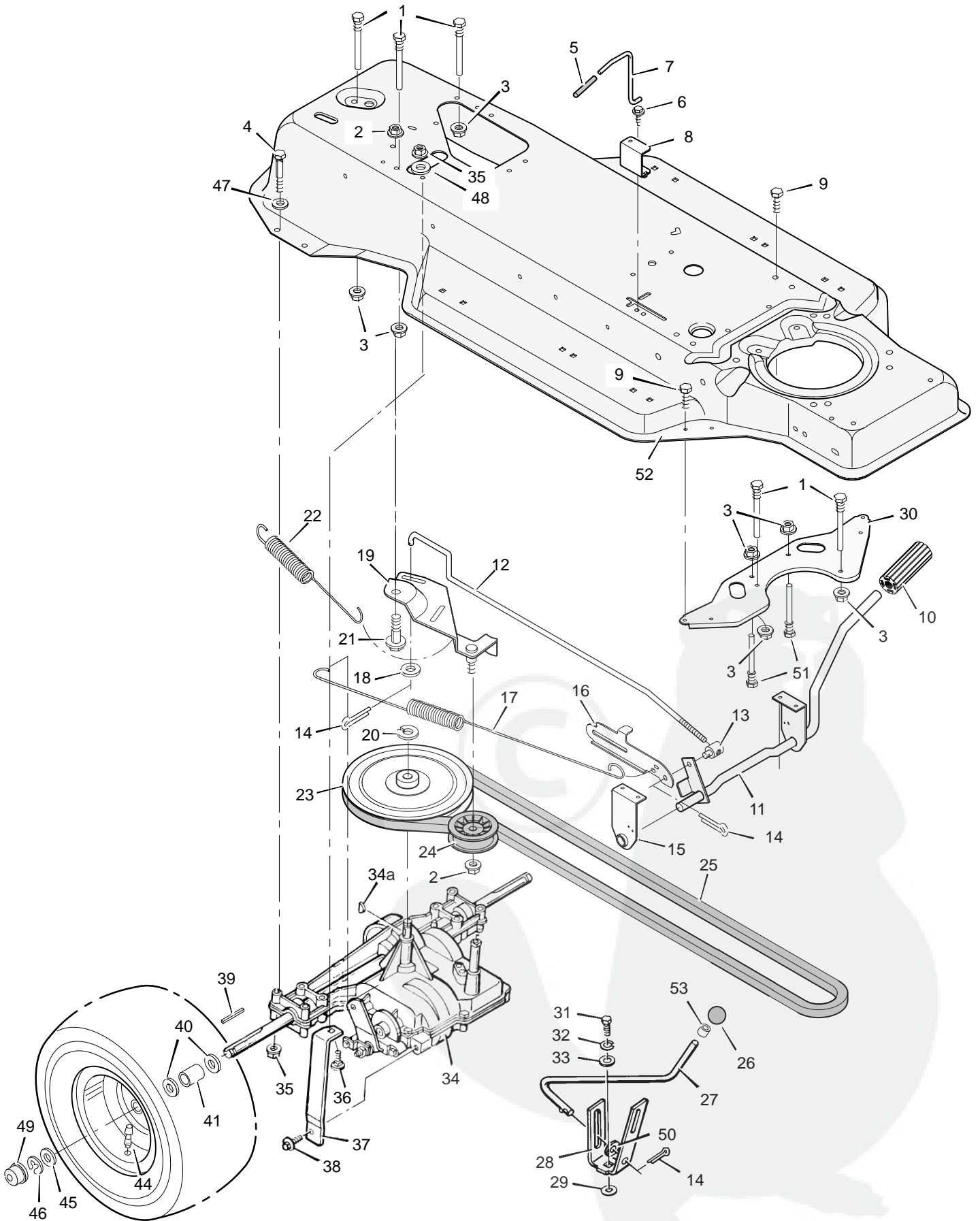
REPAIR PARTS CHASSIS & HOOD

Key No.	Description	Part No.	Key No.	Description	Part No.
1	Seat	91965	35	Clip, Cable	92013
2	Plate Assembly, Switch	91963	36	Dash Assembly	93174E245
3	Spring, Compression	164x26	37	Bearing, Steering	93135
4	Spring, Seat	91964	38	Cable	92087
5	Glide, Spring	91822	39	U-Fastener	28x59
6	Bolt, Shoulder	9x38	40	Rod, Hinge	91980Z
7	Support, Seat	92334E701	41	Washer	17x38Z
8	Lockwasher	18x16	42	Spring, Hood	91979
9	Bolt, Hex	1x45	43	Bracket, Hood Mount	91978
10	Locknut, Flange	15x88	44	Screw	26x253
11	Bracket, Pivot	91729E701	45	Nut, Speed	28x61
12	Rod, Pivot	91730E701	46	Shield, Heat	92005Z
13	Cap, Push On	28x23	47	Screw	26x252
14	Cap, Console	92443E245	48	Support, Grille	91723E701
15	Screw	26x270	49	Frame Assembly	92815E245
17	Fender, Apron	91724E701	50	Mat	91900
18	Clamp, Battery	92725	52	Grille	92284
21	Screw	26x263	53	Lens *	91850
22	Tray, Battery	91895	54	Screw	26x220
23	Fender	91715E245	55	Bearing	93155
28	Screw	26x249	56	Screw	26x238
29	Channel Assembly	91857E701	—	Instruction Book (English)	F-96786
30	Console Assembly	92727E245	—	Repair Parts Book	F-96787
31	Trim, Edge	21765	—	Decal, Left Hood	44x2157
32	Hood Assembly	92089E245	—	Decal, Right Hood	44x2158
33	Panel, Left	93133E245	—	Decal, Shift Pattern	44x1459
34	Panel, Right	91778E245			

* Included with Key No. 52.

MODEL 31621x70G

REPAIR PARTS MOTION DRIVE



MODEL 31621x70G

REPAIR PARTS MOTION DRIVE

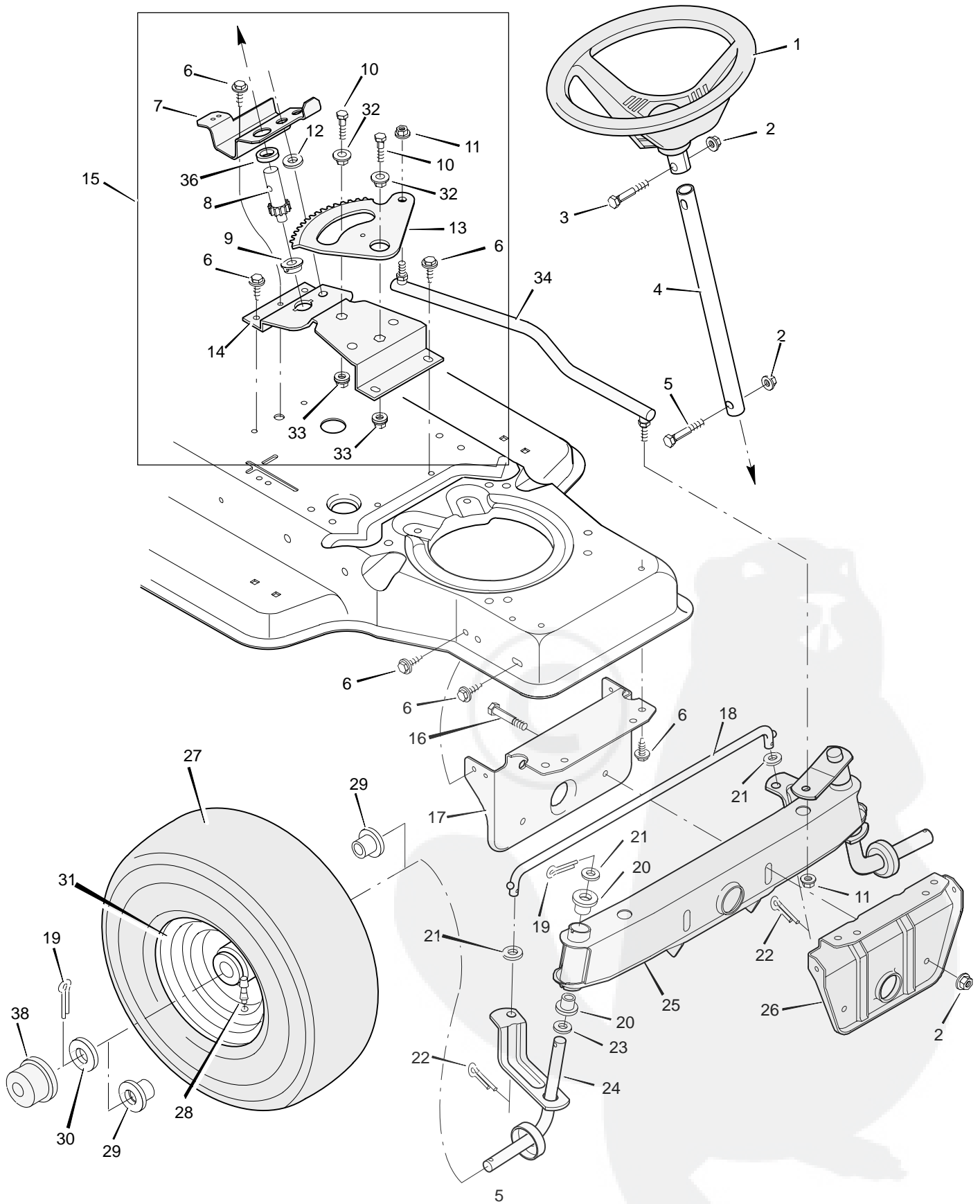
Key No.	Description	Part No.	Key No.	Description	Part No.
1	Guide, Belt	91754Z	29	Washer	17x148
2	Locknut, Flange	15x84	30	Plate, Belt Guide	92694E701
3	Nut, Flange	15x79Z	31	Bolt, Hex	1x145
4	Bolt, Hex	1x124	32	Lockwasher	18x32
5	Grip	92724	33	Washer	17x180
6	Screw	26x214	34	Transaxle – Peerless **	—
7	Rod, Control	91727E701	34a	Woodruff Key No. 9	20697
8	Guide, Bracket	91825E701	35	Nut, Flange	15x88
9	Screw	26x249	36	Bolt, Carriage	2x64
10	Clutch and Brake Pedal	21544	37	Support, Transaxle	91804E701
11	Lever Assembly	91862E701	38	Screw	26x216
12	Rod, Clutch	91808Z	39	Key, Square	21553
13	Nut, Adjustable	21920	40	Washer	17x160
14	Pin, Cotter	30x20	41	Spacer, Transaxle	87x100Z
15	Bracket, Support	91713E701	42	Tire*	91923
16	Latch, Park Brake	91712Z	—	Tube	407049
17	Spring, Brake Extension	165x82	43	Wheel & Tire Assembly	92288–601
18	Washer	17x47Z	44	Stem, Valve	24373
19	Bracket Assembly, Idler	92737Z	45	Washer	17x115
20	Ring, Retainer	11x7	46	E–Ring	11x3
21	Bolt, Shoulder	9x39	47	Washer	17x146Z
22	Spring, Drive Extension	165x76	48	Washer	17x45
23	Pulley, Motion Drive	91807	49	Hub Cap (Optional)	24582
24	Pulley, Backside Idler	91179	50	Washer	17x102
25	Belt, Motion Drive	37x61	51	Guide, Belt	20619
26	Knob, Shift Lever	91995	52	Frame Assembly	92515F200
27	Lever, Shift	91805Z	53	Ring, Tolerance	92008
28	Yoke, Shift	91806Z			

* When you order a tire, make sure to give the brand name of the tire so that the tread pattern on the tire will match.

** For information on Replacement Parts see the Central Parts Distributor in your area.

MODEL 31621x70G

REPAIR PARTS STEERING



MODEL 31621x70G

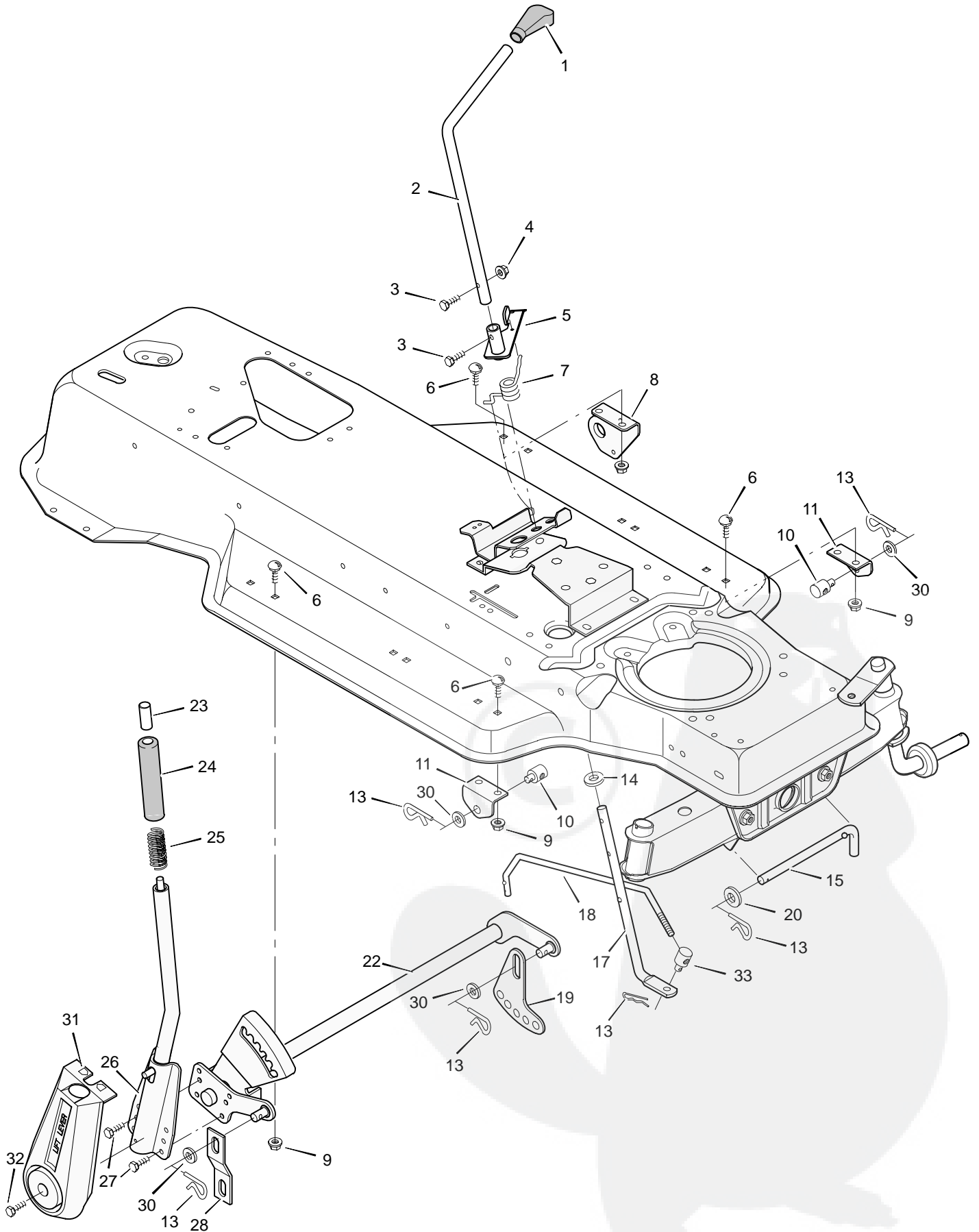
REPAIR PARTS STEERING

Key No.	Description	Part No.
1	Wheel, Steering	92078
2	Nut, Hex	15x118
3	Bolt, Hex	1x66
4	Post, Steering	91714Z
5	Bolt, Hex	1x74
6	Screw	26x249
7	Bracket, Sector	91716E701
8	Gear, Pinion	92715
9	Bearing	92716
10	Bolt, Hex	1x84
11	Locknut, Flange	15x87
12	Spacer	92564
13	Gear, Sector	92316
14	Bracket, Sector	91708E701
15	Kit, Steering Gear	402075
16	Bolt, Hex	1x146
17	Support, Rear Axle	92529E701
18	Rod, Tie	90038E701
19	Pin, Cotter	30x49
20	Bearing	92527
21	Washer	17x57
22	Pin, Cotter	30x20
23	Washer	17x113
24	Spindle Assembly, Right	91828E701
25	Spindle Assembly, Axle & Left	92519E701
26	Support, Front Axle	92528E701
27	Tire*	91912
—	Tube	407047
28	Stem, Valve	24373
29	Bearing, Wheel	91334
30	Washer	17x115
31	Wheel & Tire Assembly	92287-601
32	Bearing	92097
33	Locknut, Flange	15x113
34	Link, Drag	91749E701
36	Spacer, Pinion Gear	92280
38	Hub Cap (Optional)	24582

* When you order a tire, make sure to give the brand name of the tire so that the tread pattern on the tire will match.

MODEL 31621x70G

REPAIR PARTS MOWER HOUSING SUSPENSION



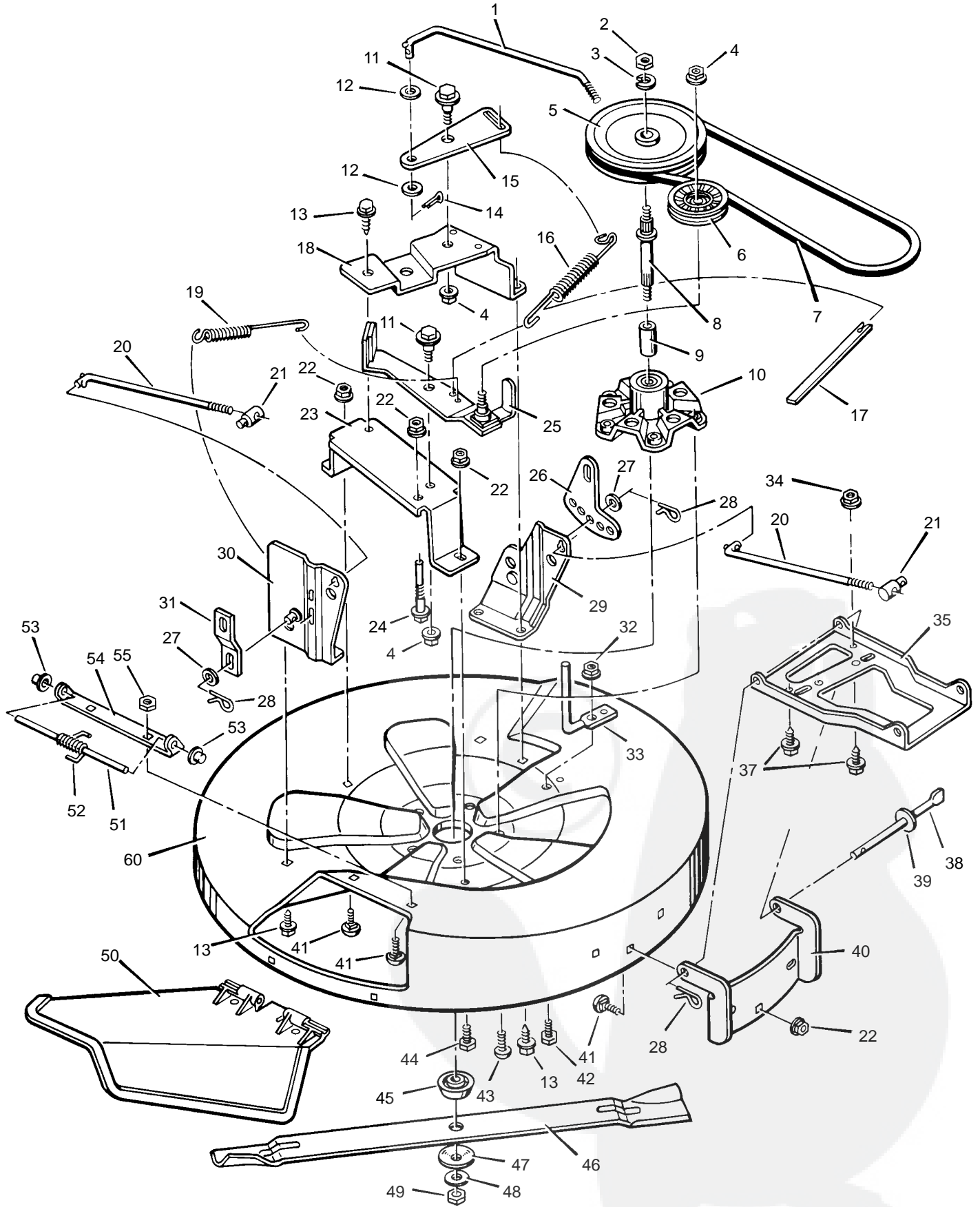
MODEL 31621x70G

REPAIR PARTS MOWER HOUSING SUSPENSION

Key No.	Description	Part No.
1	Grip	92698
2	Control, Blade Rotation	91781Z
3	Bolt, Hex	25x3
4	Locknut, Hex	15x67
5	Lever Assembly, Switch	91917E701
6	Bolt, Carriage	2x53
7	Spring, Torsion	166x32
8	Bracket, Rear Hanger	92066E701
9	Nut, Flange	15x79
10	Nut, Adjusting	92131
11	Bracket, Adjuster Rod	92133E701
12	Washer	17x124
13	Pin, Hair	31x4
14	Washer	17x122
15	Pin, Pull	90827Z
17	Lever, Lower Blade Control	91787E701
18	Rod, Blade Control	92283Z
20	Washer	17x103
22	Lifter Assembly	92705E701
23	Button, Push	92572
24	Grip	92783
25	Spring, Compression	164x21
26	Handle Assembly	91823E701
27	Screw	26x49
30	Washer	17x91Z
31	Cover, Lift Lever (Optional)	92157
32	Screw	26x263
33	Nut, Adjusting	21920

MODEL 31621x70G

REPAIR PARTS MOWER HOUSING



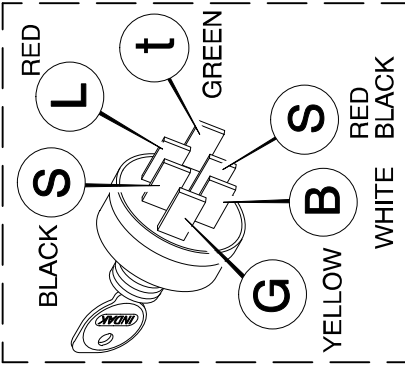
MODEL 31621x70G

REPAIR PARTS MOWER HOUSING

Key No.	Description	Part No.	Key No.	Description	Part No.
1	Rod, PTO	92283Z	30	Bracket Assembly, Right Lifter	92205E701
2	Locknut	15x100	31	Link	92064E701
3	Lockwasher	18x33	32	Nut, Flange	15x68
4	Locknut, Flange	15x84	33	Guide, Belt	91797E701
5	Pulley, Splined	91951	34	Nut, Hex	15x82
6	Pulley, Idler	91801	35	Hanger, Front	92202E701
7	Belt, Mower Drive	37x74	37	Screw	25x4
8	Mandrel	91922	38	Rod, Hanger	92273Z
9	Spacer	91903	39	Washer	17x57
10	Housing, Mandrel	55962	40	Bracket, Front Hanger	92203E701
11	Bolt, Shoulder	9x39	41	Bolt, Carriage	2x53
12	Washer	17x46Z	42	Bolt	1x85
13	Screw	26x249	43	Screw	26x216
14	Pin, Cotter	30x20	44	Bolt	1x45
15	Bracket, Pivot	92209E701	45	Adapter, Blade	92466
16	Spring, Extension	165x91	46	Blade	55793E701
17	Indicator, Plastic	92163	47	Washer, Belleville	17x166
18	Support, Pivot Bracket	92208E701	48	Washer	17x165
19	Spring, Extension	165x90	49	Nut, Hex	15x100
20	Rod, Adjusting	91748Z	50	Deflector, Chute	55971
21	Nut, Adjustable	92131	51	Rod, Deflector	21197Z
22	Nut, Flange	15x79	52	Spring, Torsional	166x4
23	Support, Idler Arm	92211E701	53	Cap, Push On	28x23
24	Guide, Belt	20619	54	Hinge, Deflector	56213E701
25	Arm Assembly, Idler	92221	55	Locknut	15x43
26	Plate, Adjusting	91741E701	57	Bolt, Carriage	2x64
27	Washer	17x103Z	58	Wingnut	14x83
28	Pin, Hair	31x4	1-60	Mower Housing, Complete	403344
29	Bracket Assembly, Left Lifter	92207E701			

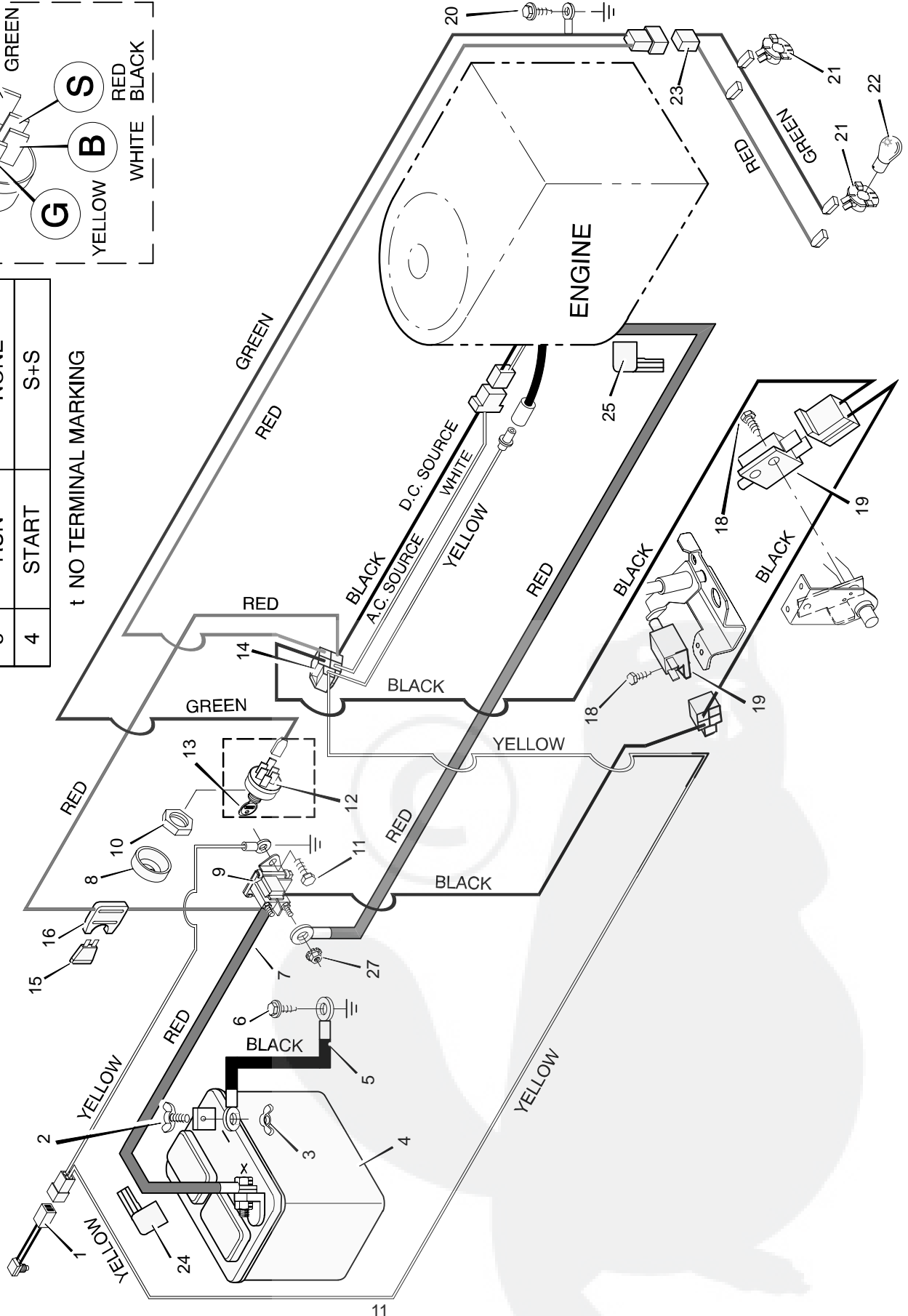
MODEL 31621x70G

REPAIR PARTS ELECTRICAL SYSTEM



POS.	FUNCTION	CIRCUIT (MAKE)
1	OFF	G+t
2	RUN LIGHTS	B+L
3	RUN	NONE
4	START	S+S

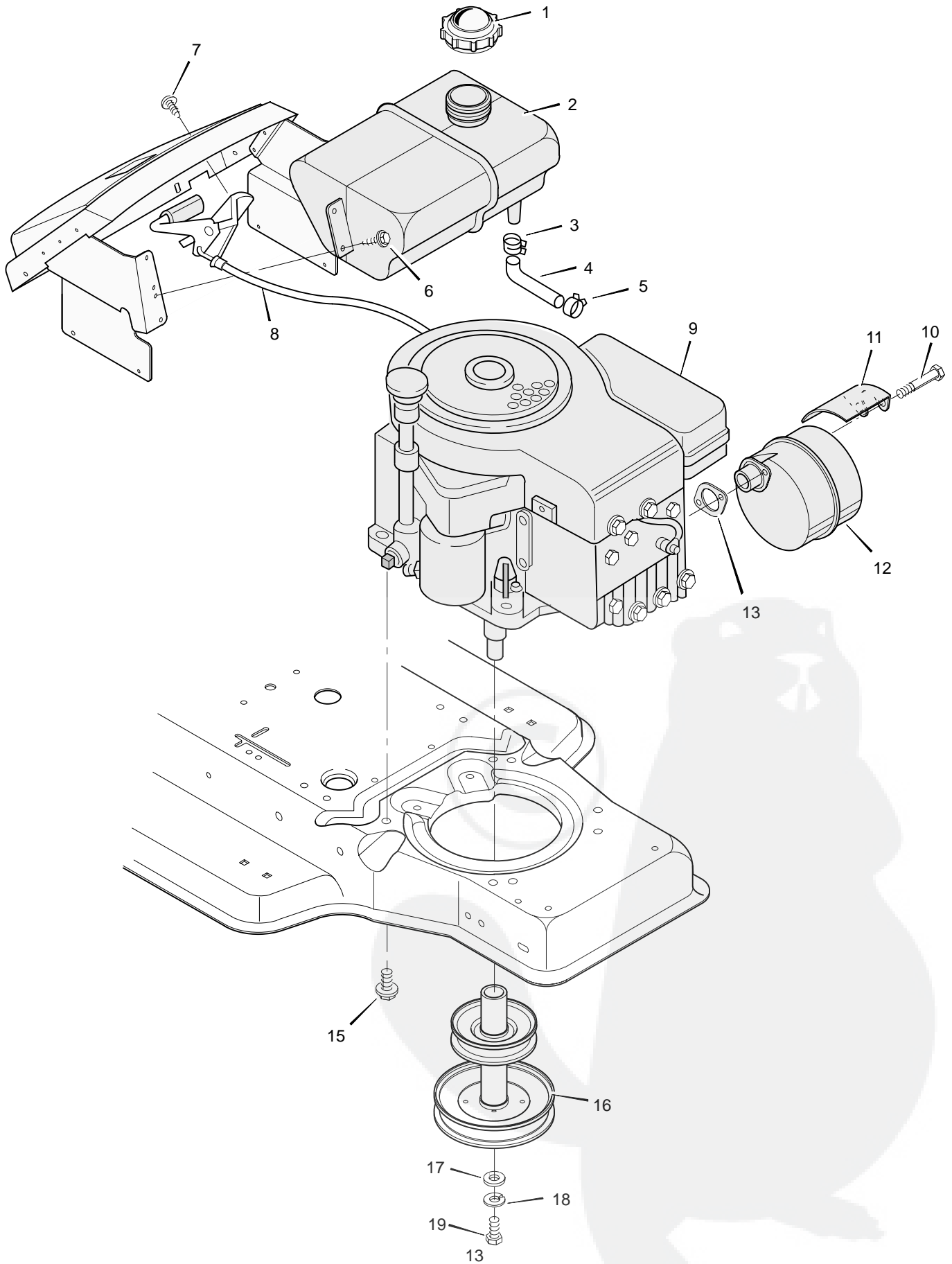
t NO TERMINAL MARKING



Key No.	Description	Part No.
1	Switch, Seat Sensor	91031
2	Bolt	6x99
3	Wingnut	14x79
4	Battery	91414
—	Acid, Battery (Electrolyte)	55702
5	Cable, Battery Ground	24x9
6	Screw	26x249
7	Cable, Red Battery	24x29
8	Cap, Ignition	91488
9	Solenoid	24285
10	Nut	91489
11	Screw	26x214
12	Switch, Ignition	92377
13	Key, Ignition	20729
14	Harness, Chassis Wire	250x50
15	Fuse	54212
16	Holder, Fuse	407078
18	Screw	26x233
19	Switch, Clutch	24273
20	Screw	25x2
21	Socket, Light	92372
22	Bulb, Light	90084
23	Harness, Light Wire	250x40
24	Cover, Terminal	54148
25	Cover, (Optional)	24196
27	Locknut	15x116

MODEL 31621x70G

REPAIR PARTS ENGINE MOUNT



Key No.	Description	Part No.
1	Fuel Cap	92317
2	Fuel Tank	91869
3	Hose Clamp	91174
4	Fuel Line	90671
5	Hose Clamp	23713
6	Screw	26x214
7	Screw	26x201
8	Throttle Control	91983
9	Engine*	—
10	Bolt	1x134
11	Shield, Heat	91277
12	Muffler	91271
13	Gasket	91309
15	Bolt, Engine Mount	25x7
16	Pulley, Stack	92318Z
17	Washer	17x170
18	Lockwasher	19x35
19	Bolt, Hex	1x140

*The engine model, type and code numbers are on the engine. All parts to the engine are available from a Briggs & Stratton Authorized Service Center. See "Engines, Gasoline" or "Gasoline Engines" in the yellow pages of the telephone directory.