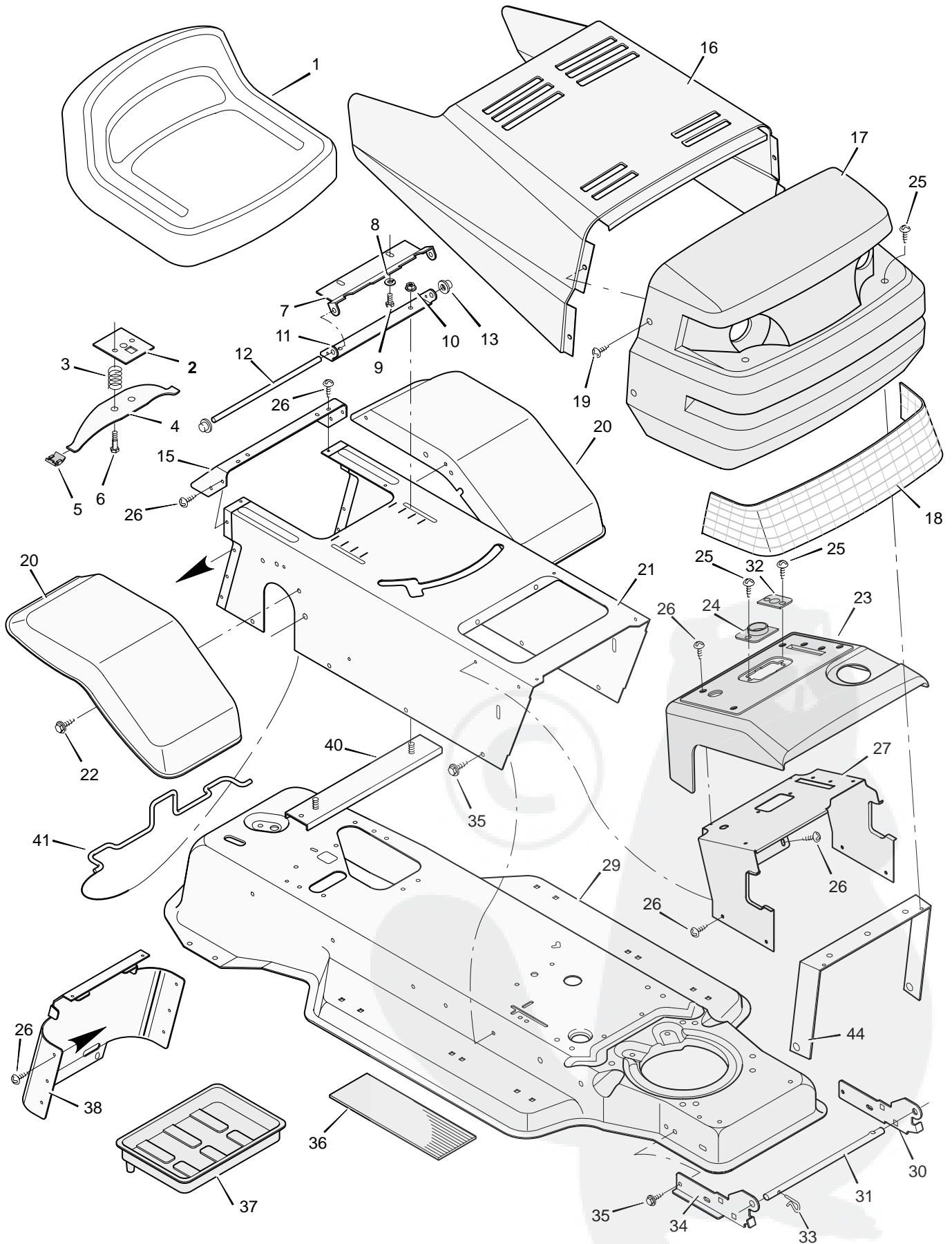


MODEL 38702x20E

REPAIR PARTS CHASSIS & HOOD



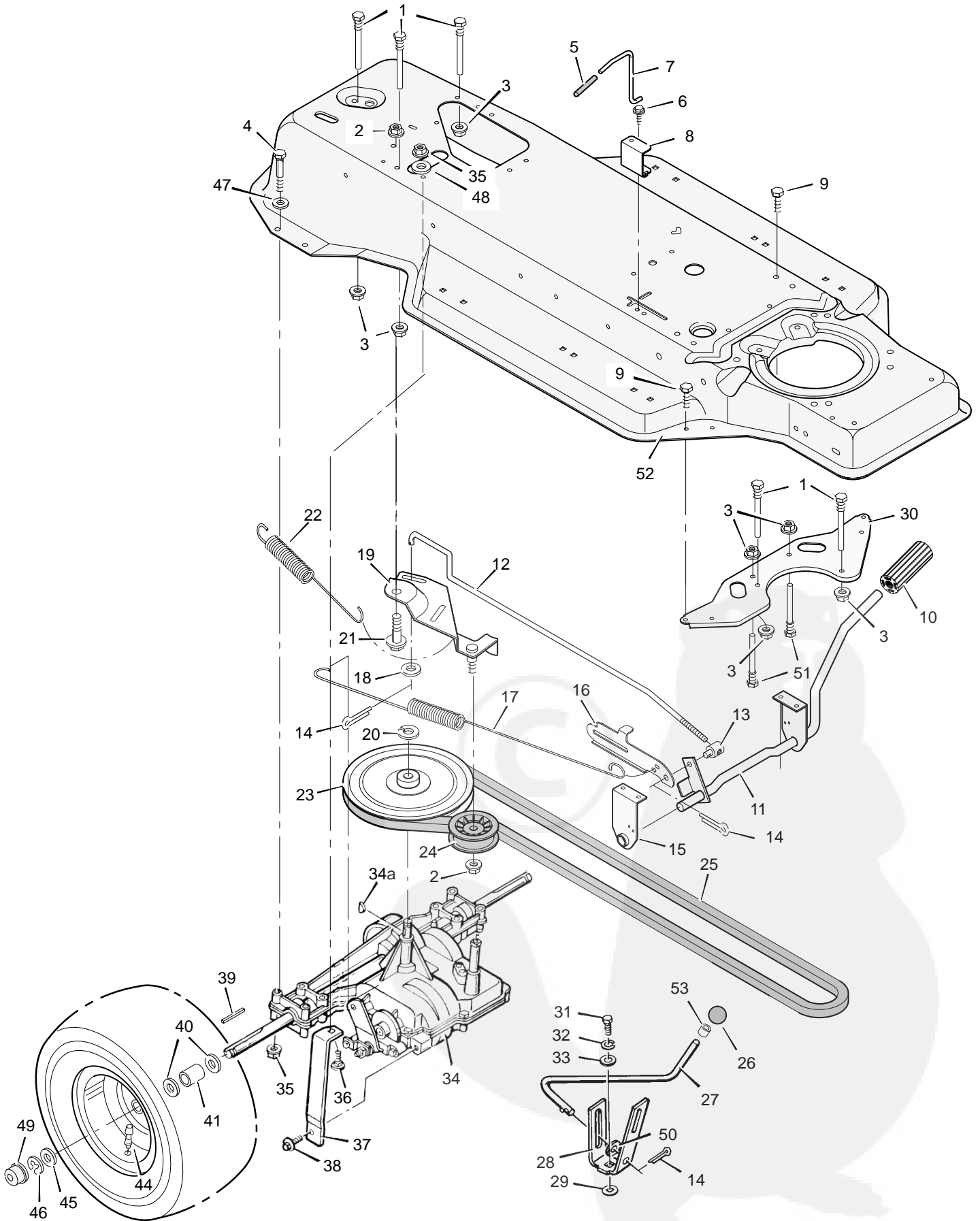
MODEL 38702x20E

REPAIR PARTS CHASSIS & HOOD

| Key No. | Description | Part No. | Key No. | Description | Part No. |
|---------|---------------------------------|-----------|---------|-----------------------------|-----------|
| 1 | Seat | 92387 | 26 | Screw | 26x270 |
| 2 | Plate Assembly, Switch | 91963Z | 27 | Support, Dash | 92331E701 |
| 3 | Spring, Compression | 164x26 | 29 | Frame Assembly | 92515F200 |
| 4 | Spring, Seat | 91964 | 30 | Bracket, Left Grille | 92347E701 |
| 5 | Glide, Spring | 91822 | 31 | Rod, Pivot | 92332Z |
| 6 | Bolt, Shoulder | 9x38 | 32 | Bearing | 92398 |
| 7 | Support, Seat | 92334E701 | 33 | Pin, Hair | 31x4 |
| 8 | Lockwasher | 18x16 | 34 | Bracket, Right Grille | 92346E701 |
| 9 | Bolt, Hex | 1x45 | 35 | Screw | 26x249 |
| 10 | Locknut, Flange | 15x88 | 36 | Mat | 91900 |
| 11 | Bracket, Pivot | 91729E701 | 37 | Tray, Battery | 91895 |
| 12 | Rod, Pivot | 91730E701 | 38 | Cap, Console | 92443F200 |
| 13 | Cap, Push On | 28x23 | 39 | Bolt | 2x64 |
| 15 | Fender, Apron | 91724E701 | 40 | Channel Assembly | 91857E701 |
| 16 | Hood | 92333F200 | 41 | Clamp, Battery | 92725Z |
| 17 | Grille Assembly (includes Lens) | 92350 | 44 | Brace, Grille | 92448Z |
| 18 | Lens | 92344 | — | Book, Instruction (English) | F-96845 |
| 19 | Screw | 9x47 | — | Repair Parts Book | F-96846 |
| 20 | Fender | 92328F200 | — | Decal, Left Hood | 44x3043 |
| 21 | Console Assembly | 92727F200 | — | Decal, Right Hood | 44x3042 |
| 22 | Screw | 26x263 | — | Decal, Console | 44x4326 |
| 23 | Dash Panel | 92605F200 | — | Decal, Warning | 44x5940 |
| 24 | Bearing, Steering | 92399 | — | Decal, Shift Pattern | 44x1459 |
| 25 | Screw | 26x239 | — | Plaque, Name | 280x56 |

MODEL 38702x20E

REPAIR PARTS MOTION DRIVE



MODEL 38702x20E

REPAIR PARTS MOTION DRIVE

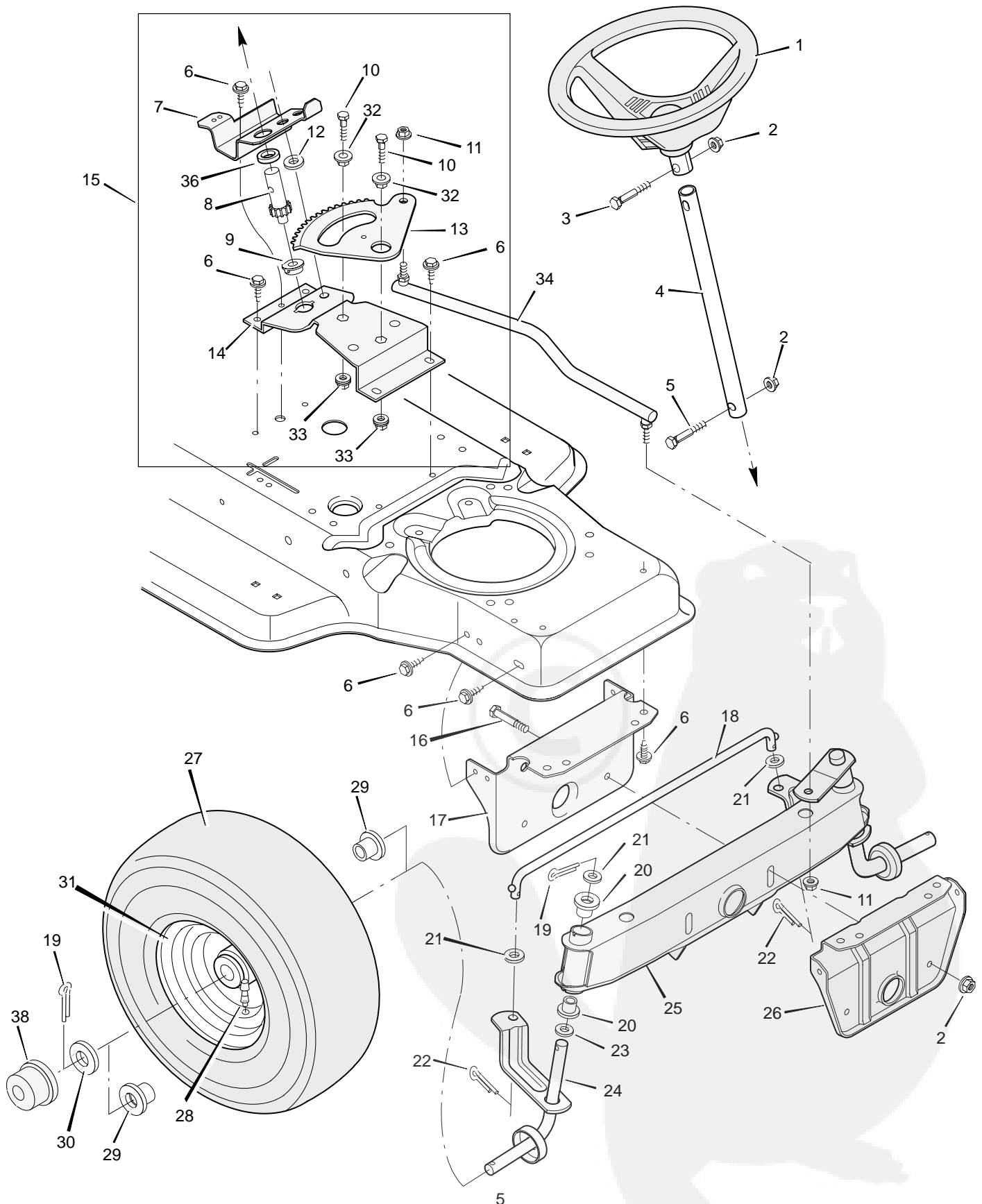
| Key No. | Description | Part No. | Key No. | Description | Part No. |
|---------|-------------------------|-----------|---------|-------------------------|-----------|
| 1 | Guide, Belt | 91754Z | 29 | Washer | 17x148 |
| 2 | Locknut, Flange | 15x84 | 30 | Plate, Belt Guide | 92694E701 |
| 3 | Nut, Flange | 15x79Z | 31 | Bolt, Hex | 1x145 |
| 4 | Bolt, Hex | 1x124 | 32 | Lockwasher | 18x32 |
| 5 | Grip | 92724 | 33 | Washer | 17x180 |
| 6 | Screw | 26x214 | 34 | Transaxle – Peerless ** | — |
| 7 | Rod, Control | 91727E701 | 34a | Woodruff Key No. 9 | 20697 |
| 8 | Guide, Bracket | 91825E701 | 35 | Nut, Flange | 15x88 |
| 9 | Screw | 26x249 | 36 | Bolt, Carriage | 2x64 |
| 10 | Clutch and Brake Pedal | 21544 | 37 | Support, Transaxle | 91804E701 |
| 11 | Lever Assembly | 91862E701 | 38 | Screw | 26x216 |
| 12 | Rod, Clutch | 91808Z | 39 | Key, Square | 21553 |
| 13 | Nut, Adjustable | 21920 | 40 | Washer | 17x160 |
| 14 | Pin, Cotter | 30x20 | 41 | Spacer, Transaxle | 87x100Z |
| 15 | Bracket, Support | 91713E701 | 42 | Tire* | 91914 |
| 16 | Latch, Park Brake | 91712Z | — | Tube | 407049 |
| 17 | Spring, Brake Extension | 165x82 | 43 | Wheel & Tire Assembly | 92289–601 |
| 18 | Washer | 17x47Z | 44 | Stem, Valve | 24373 |
| 19 | Bracket Assembly, Idler | 92737Z | 45 | Washer | 17x115 |
| 20 | Ring, Retainer | 11x7 | 46 | E–Ring | 11x3 |
| 21 | Bolt, Shoulder | 9x39 | 47 | Washer | 17x146Z |
| 22 | Spring, Drive Extension | 165x76 | 48 | Washer | 17x45 |
| 23 | Pulley, Motion Drive | 91807 | 49 | Hub Cap (Optional) | 24582 |
| 24 | Pulley, Backside Idler | 91179 | 50 | Washer | 17x102 |
| 25 | Belt, Motion Drive | 37x61 | 51 | Guide, Belt | 20619 |
| 26 | Knob, Shift Lever | 91995 | 52 | Frame Assembly | 92515F200 |
| 27 | Lever, Shift | 91805Z | 53 | Ring, Tolerance | 92008 |
| 28 | Yoke, Shift | 91806Z | | | |

* When you order a tire, make sure to give the brand name of the tire so that the tread pattern on the tire will match.

** For information on Replacement Parts see the Central Parts Distributor in your area.

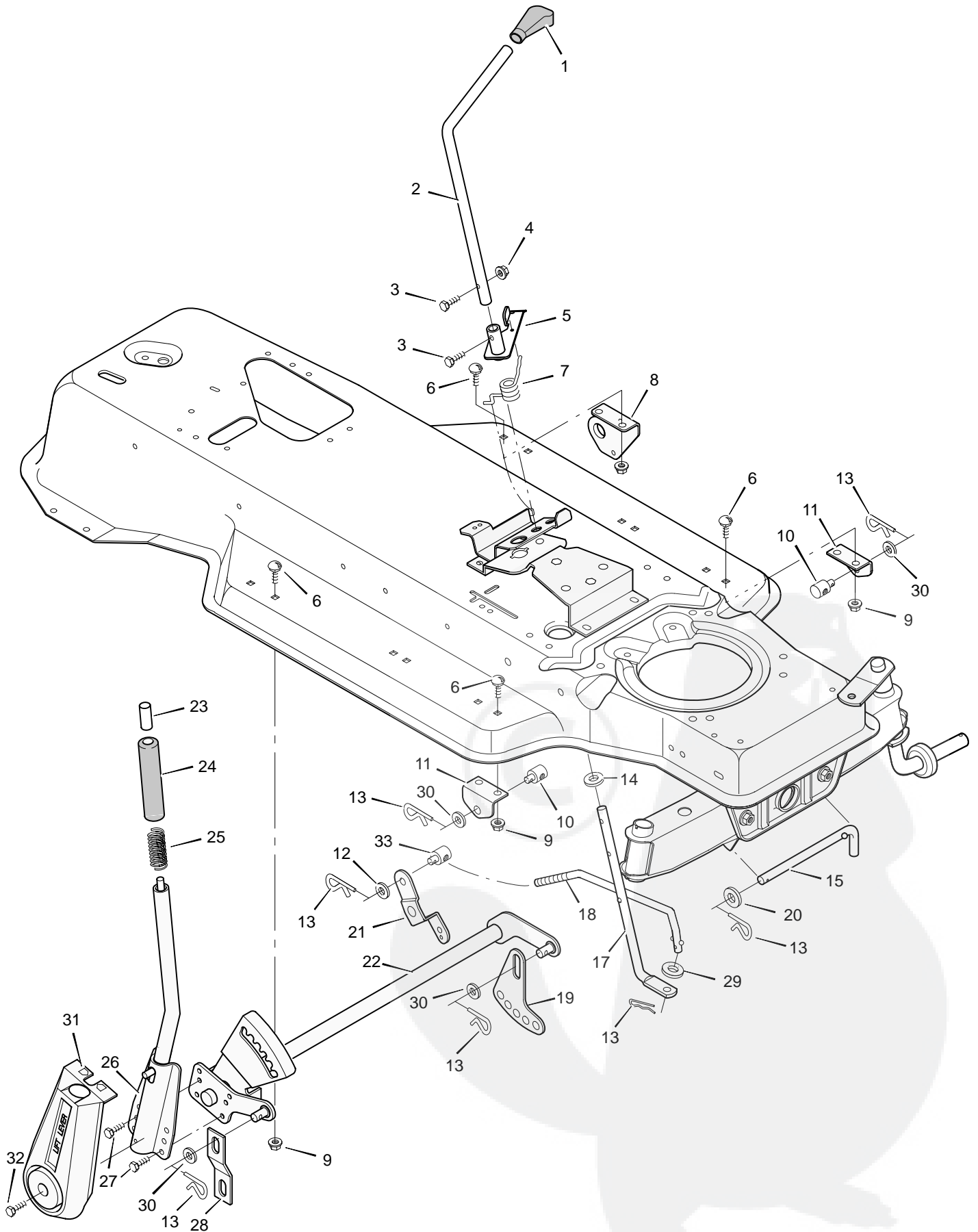
MODEL 38702x20E

REPAIR PARTS STEERING



| Key No. | Description | Part No. |
|----------------|-------------------------------|-----------------|
| 1 | Wheel, Steering | 92078 |
| 2 | Nut, Hex | 15x118 |
| 3 | Bolt, Hex | 1x66 |
| 4 | Post, Steering | 91714Z |
| 5 | Bolt, Hex | 1x74 |
| 6 | Screw | 26x249 |
| 7 | Bracket, Sector | 91716E701 |
| 8 | Gear, Pinion | 92715 |
| 9 | Bearing | 92716 |
| 10 | Bolt, Hex | 1x84 |
| 11 | Locknut, Flange | 15x87 |
| 12 | Spacer | 92564 |
| 13 | Gear, Sector | 92316 |
| 14 | Bracket, Sector | 91708E701 |
| 15 | Kit, Steering Gear | 402075 |
| 16 | Bolt, Hex | 1x146 |
| 17 | Support, Rear Axle | 92529E701 |
| 18 | Rod, Tie | 90038E701 |
| 19 | Pin, Cotter | 30x49 |
| 20 | Bearing | 92527 |
| 21 | Washer | 17x57 |
| 22 | Pin, Cotter | 30x20 |
| 23 | Washer | 17x113 |
| 24 | Spindle Assembly, Right | 91828E701 |
| 25 | Spindle Assembly, Axle & Left | 92519E701 |
| 26 | Support, Front Axle | 92528E701 |
| 27 | Tire* | 91912 |
| — | Tube | 407047 |
| 28 | Stem, Valve | 24373 |
| 29 | Bearing, Wheel | 91334 |
| 30 | Washer | 17x115 |
| 31 | Wheel & Tire Assembly | 92287-601 |
| 32 | Bearing | 92097 |
| 33 | Locknut, Flange | 15x113 |
| 34 | Link, Drag | 91749E701 |
| 36 | Spacer, Pinion Gear | 92280 |
| 38 | Hub Cap (Optional) | 24582 |

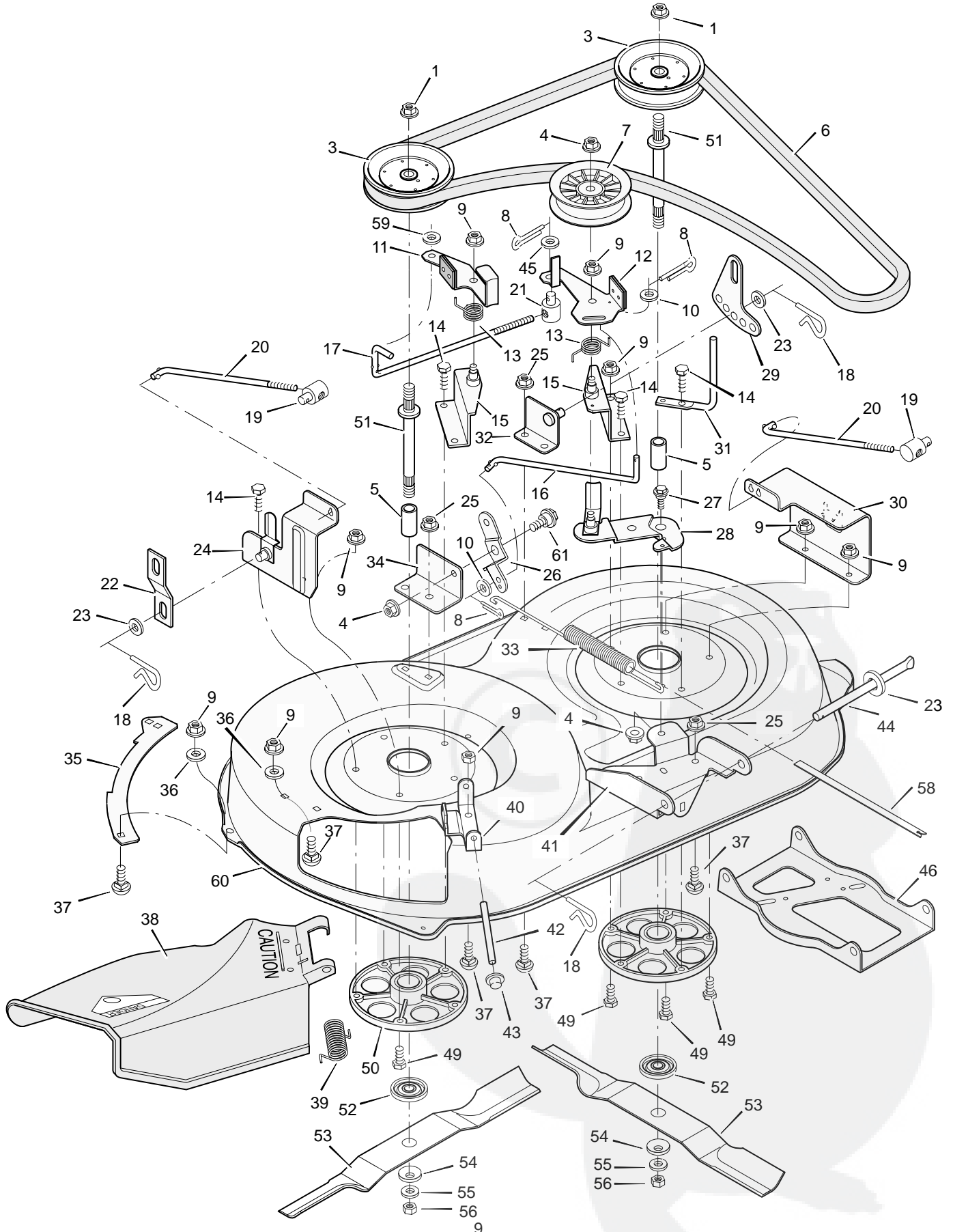
* When you order a tire, make sure to give the brand name of the tire so that the tread pattern on the tire will match.



| Key No. | Description | Part No. |
|----------------|------------------------------|-----------------|
| 1 | Grip | 92698 |
| 2 | Control, Blade Rotation | 91781Z |
| 3 | Bolt, Hex | 25x3 |
| 4 | Locknut, Hex | 15x67 |
| 5 | Lever Assembly, Switch | 91917E701 |
| 6 | Bolt, Carriage | 2x53 |
| 7 | Spring, Torsion | 166x32 |
| 8 | Bracket, Rear Hanger | 92066E701 |
| 9 | Nut, Flange | 15x79 |
| 10 | Nut, Adjusting | 92131 |
| 11 | Bracket, Adjuster Rod | 92133E701 |
| 12 | Washer | 17x124 |
| 13 | Pin, Hair | 31x4 |
| 14 | Washer | 17x122 |
| 15 | Pin, Pull | 90827Z |
| 17 | Lever, Lower Blade Control | 91787E701 |
| 18 | Rod, Blade Control | 91795Z |
| 19 | Plate, Adjuster | 91741E701 |
| 20 | Washer | 17x103 |
| 21 | Bracket, Pivot | 92033E701 |
| 22 | Lifter Assembly | 92065E701 |
| 23 | Button, Push | 92572 |
| 24 | Grip | 92783 |
| 25 | Spring, Compression | 164x21 |
| 26 | Handle Assembly | 91823E701 |
| 27 | Screw | 26x49 |
| 28 | Link, Suspension | 92064E701 |
| 29 | Washer | 17x47Z |
| 30 | Washer | 17x91Z |
| 31 | Cover, Lift Lever (Optional) | 92157 |
| 32 | Screw | 26x263 |
| 33 | Nut, Adjusting | 21920 |

MODEL 38702x20E

REPAIR PARTS MOWER HOUSING



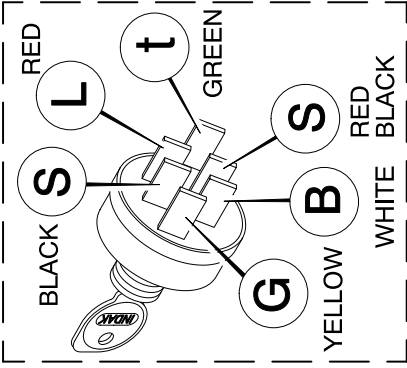
MODEL 38702x20E

REPAIR PARTS MOWER HOUSING

| Key No. | Description | Part No. | Key No. | Description | Part No. |
|---------|--------------------------------|-----------|---------|---------------------------------|-----------|
| 1 | Nut, Hex | 15x121 | 31 | Guide, Belt | 91797E701 |
| 3 | Pulley, Jackshaft | 92852 | 32 | Bracket Assembly, Left Lifter | 91813E701 |
| 4 | Locknut, Flange | 15x84 | 33 | Spring, Extension | 165x72 |
| 5 | Spacer | 92850 | 34 | Bracket, Pivot | 91743E701 |
| 6 | Belt, Blade Drive | 37x63 | 35 | Plate | 91770E701 |
| 7 | Pulley, Idler | 91801 | 36 | Washer | 17x57 |
| 8 | Pin, Cotter | 30x20 | 37 | Bolt, Carriage | 2x53 |
| 9 | Locknut, Flange | 15x88 | 38 | Deflector Assembly, Chute | 92465 |
| 10 | Washer | 17x46Z | 39 | Spring, Torsion | 166x4 |
| 11 | Brake Assembly, Right | 92186E701 | 40 | Bracket, Hinge | 91765E701 |
| 12 | Brake Assembly, Left | 92187E701 | 41 | Bracket, Front Hanger | 91793E701 |
| 13 | Spring, Torsion | 166x27 | 42 | Rod, Deflector | 91767Z |
| 14 | Bolt, Hex | 25x7 | 43 | Cap, Push On | 28x23 |
| 15 | Bracket Assembly, Brake | 92072E701 | 44 | Rod, Hanger | 91739Z |
| 16 | Rod, Brake | 91745Z | 45 | Washer | 17x124 |
| 17 | Rod, Cross Link | 92183Z | 46 | Hanger, Front | 92119E701 |
| 18 | Pin, Hair | 31x4 | 49 | Bolt, Hex | 1x84 |
| 19 | Nut, Adjustable | 92131 | 50 | Housing, Jackshaft | 90905 |
| 20 | Rod, Adjuster | 91748Z | 51 | Jackshaft | 92849 |
| 21 | Nut, Adjustable | 21920 | 52 | Adapter, Blade | 92466 |
| 22 | Link, Suspension | 92064E701 | 53 | Blade, 38" (2 required) | 92003E701 |
| 23 | Washer | 17x103 | 54 | Washer, Belleville | 17x166 |
| 24 | Bracket Assembly, Right Lifter | 92485E701 | 55 | Washer | 17x165 |
| 25 | Nut, Flange | 15x79 | 56 | Nut, Hex | 15x100 |
| 26 | Bracket, Pivot | 92033E701 | 58 | Indicator, Plastic | 92163 |
| 27 | Bolt, Shoulder | 9x39 | 59 | Washer | 17x48 |
| 28 | Arm Assembly, Idler | 92032E701 | 60 | Housing, Blade (38") | 91906E701 |
| 29 | Plate, Adjuster | 91741E701 | 61 | Bolt, Shoulder | 9x42 |
| 30 | Cover, Pulley | 92083E701 | 1-61 | Complete Mower Housing Assembly | 403228 |

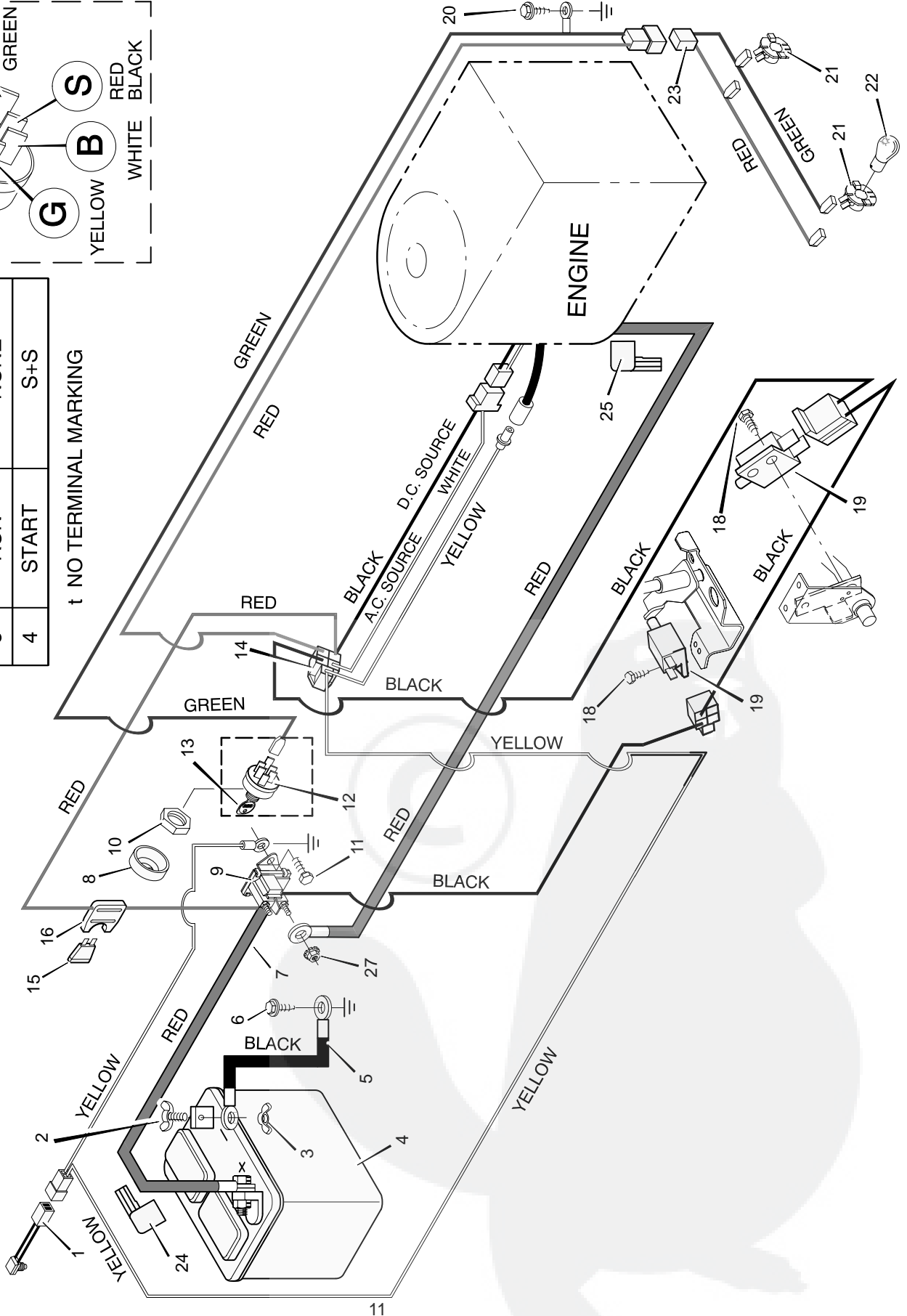
MODEL 38702x20E

REPAIR PARTS ELECTRICAL SYSTEM



| POS. | FUNCTION | CIRCUIT (MAKE) |
|------|------------|----------------|
| 1 | OFF | G+t |
| 2 | RUN LIGHTS | B+L |
| 3 | RUN | NONE |
| 4 | START | S+S |

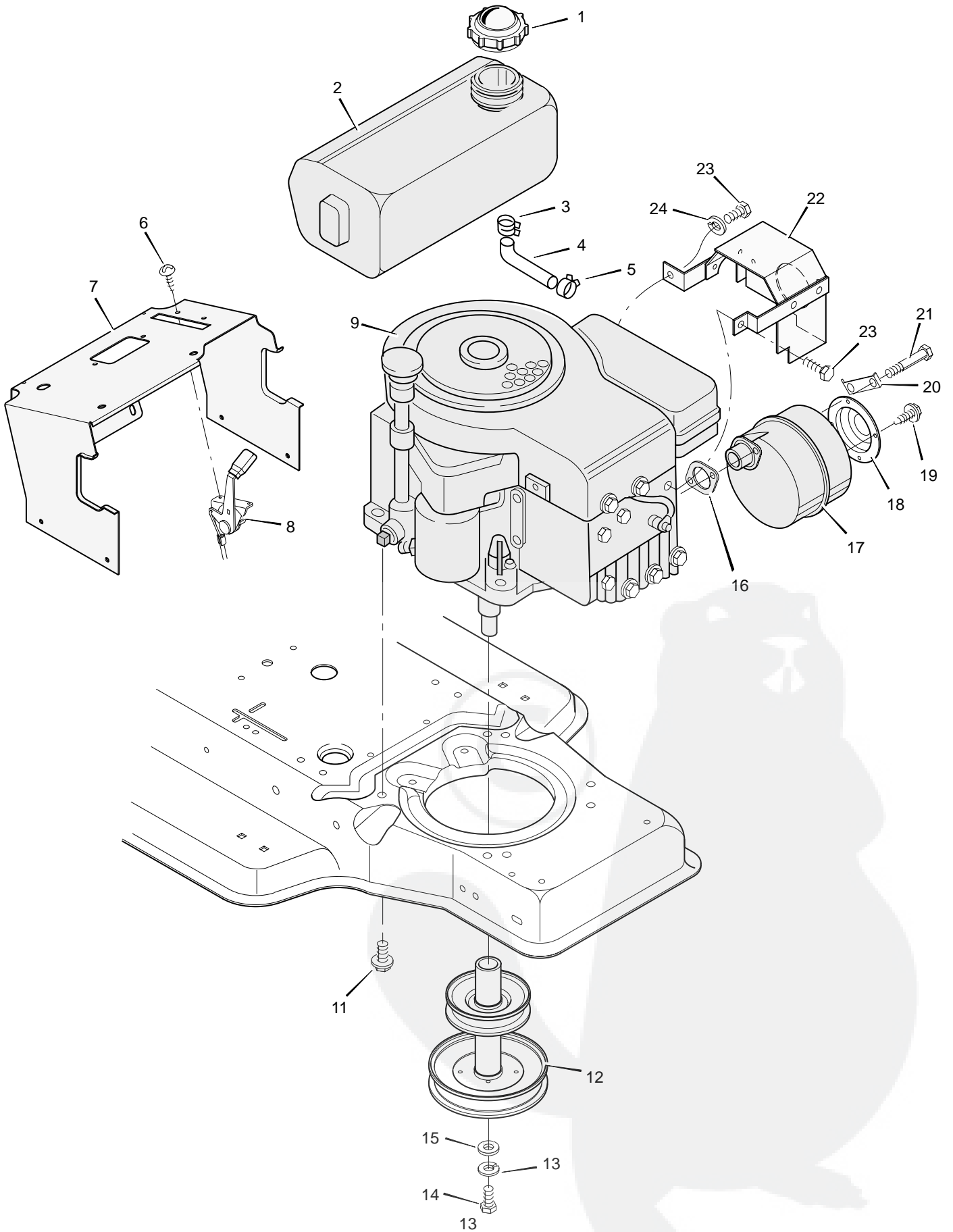
t NO TERMINAL MARKING



| Key No. | Description | Part No. |
|----------------|-----------------------------|-----------------|
| 1 | Switch, Seat Sensor | 91031 |
| 2 | Bolt | 6x99 |
| 3 | Wingnut | 14x79 |
| 4 | Battery | 91414 |
| — | Acid, Battery (Electrolyte) | 55702 |
| 5 | Cable, Battery Ground | 24x9 |
| 6 | Screw | 26x249 |
| 7 | Cable, Red Battery | 24x29 |
| 8 | Cap, Ignition | 91488 |
| 9 | Solenoid | 24285 |
| 10 | Nut | 91489 |
| 11 | Screw | 26x214 |
| 12 | Switch, Ignition | 92377 |
| 13 | Key, Ignition | 20729 |
| 14 | Harness, Chassis Wire | 250x50 |
| 15 | Fuse | 54212 |
| 16 | Holder, Fuse | 407078 |
| 18 | Screw | 26x233 |
| 19 | Switch, Clutch | 24273 |
| 20 | Screw | 25x2 |
| 21 | Socket, Light | 92372 |
| 22 | Bulb, Light | 90084 |
| 23 | Harness, Light Wire | 250x40 |
| 24 | Cover, Terminal | 54148 |
| 25 | Cover, (Optional) | 24196 |
| 27 | Locknut | 15x116 |

MODEL 38702x20E

REPAIR PARTS ENGINE MOUNT



| Key No. | Description | Part No. |
|----------------|-----------------------|-----------------|
| 1 | Fuel Cap | 92317 |
| 2 | Fuel Tank | 92342 |
| 3 | Hose Clamp | 91174 |
| 4 | Fuel Line | 23717 |
| 5 | Hose Clamp | 23713 |
| 6 | Screw | 26x201 |
| 7 | Support, Dash | 92331E701 |
| 8 | Throttle Control | 92371 |
| 9 | Engine* | _____ |
| 11 | Bolt, Engine Mount | 25x7 |
| 12 | Stack Pulley Assembly | 92318 |
| 13 | Lockwasher | 19x35 |
| 14 | Bolt, Hex | 1x140 |
| 15 | Washer | 17x170 |
| 16 | Gasket | 91309 |
| 17 | Muffler | 91271 |
| 18 | Deflector, Muffler | 23740Z |
| 19 | Screw | 26x208 |
| 20 | Lock, Screw | 92378 |
| 21 | Bolt | 1x134 |
| 22 | Shield, Heat | 92381 SE |
| 23 | Bolt | 25x2 |
| 24 | Washer | 18x32 |

* Parts are available from a Briggs & Stratton Authorized Service Center. See "Engines, Gasoline" or "Gasoline Engines" in the yellow pages of the telephone directory.