

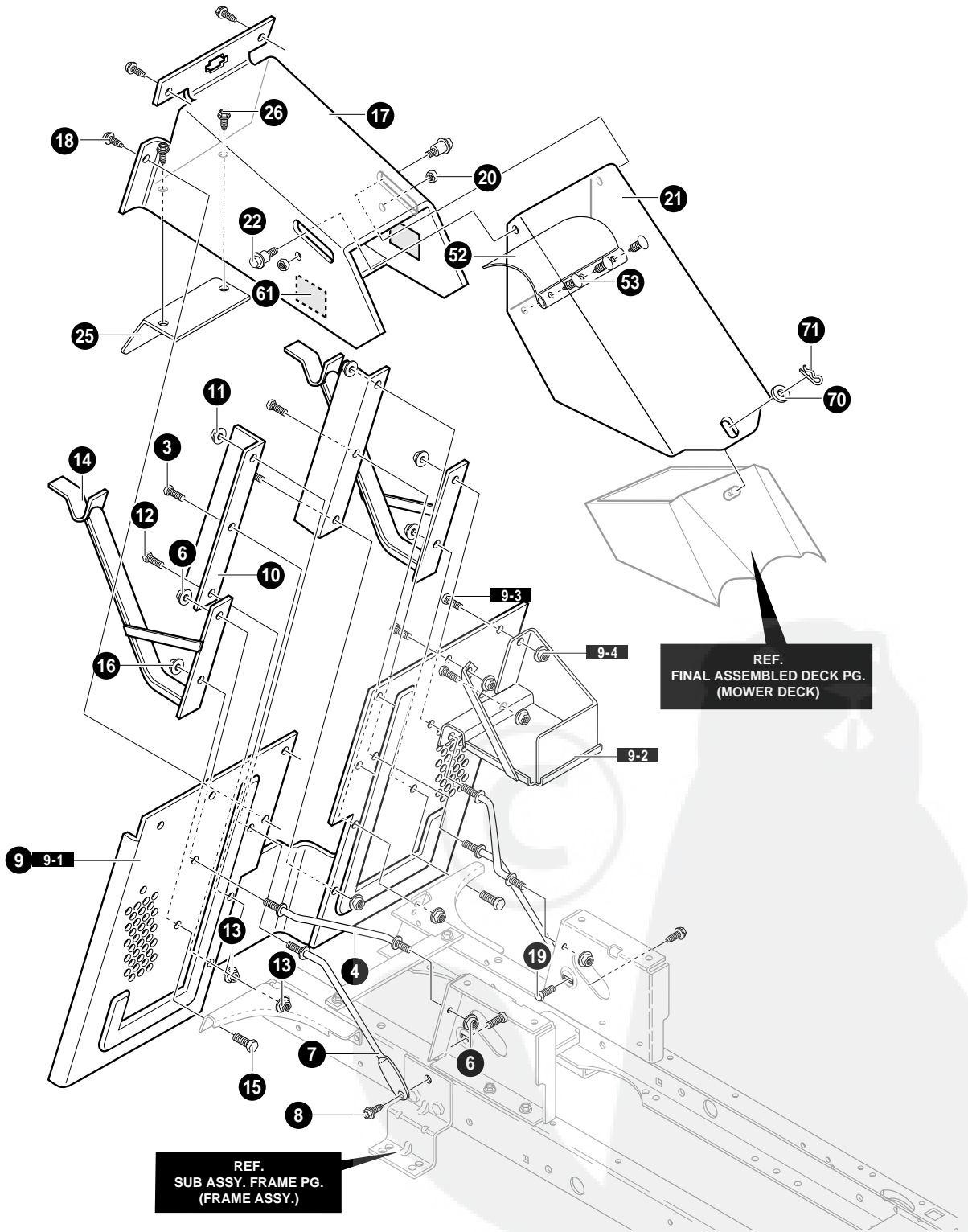
REF.
CHASSIS REAR PG.
(SEAT DECK ASSY.)

NOTE: ALWAYS USE ORIGINAL EQUIPMENT PARTS.
Use of service/replacement parts other than original
equipment parts may void your warranty.

ALL UNNUMBERED
ITEMS ARE INTERCHANGEABLE
WITH OPPOSITE SIDE

341285B

KEY #	PART #	DESCRIPTION	QTY
1	94212-821	BRACKET, SUPPORT GRILLE RH	1
2	94213-821	BRACKET, SUPPORT GRILLE LH	1
3	710079	SCREW, 5/16-18X.75HHWATAPSGIBP	4
4	94879	DASH	1
5	710196	SCREW, 10-24X.500TRSEGI ZNBKCR	4
6	94214	BEARING, DASH	1
7	710197	SCREW, 1/4-14X.50PANCR ZNBKCHR	2
8	94211-860	PLATE-DASH PANEL	1
9	710196	SCREW, 10-24X.500TRSEGI ZNBKCR	6
10	94975-860	LOWER CONSOLE SUPPORT	1
10-1	94210	SUPPORT, DASH	1
10-2	94215	SUPPORT, CHANNEL	1
11	710079	SCREW, 5/16-18X.75HHWATAPSGIBP	4
13	94972-860	HOOD	1
14	94867	GRILLE ASSEMBLY	1
14-1	94871	GRILLE	1
14-2	92344	LENS, GRILLE	1
14-3	92448	BRACE, GRILLE ASSY	1
14-4	710282	SCREW, 1/4-14X.75 PHPANTAP	2
15	710198	SCREW, .230X .135 PPANTAP10-32B	4
16	92332	ROD,HOOD PIVOT	1
17	710108	PIN, HAIR (31X4)	1
18	94313	BELLOWS	1
	711227	OPERATOR'S MANUAL	

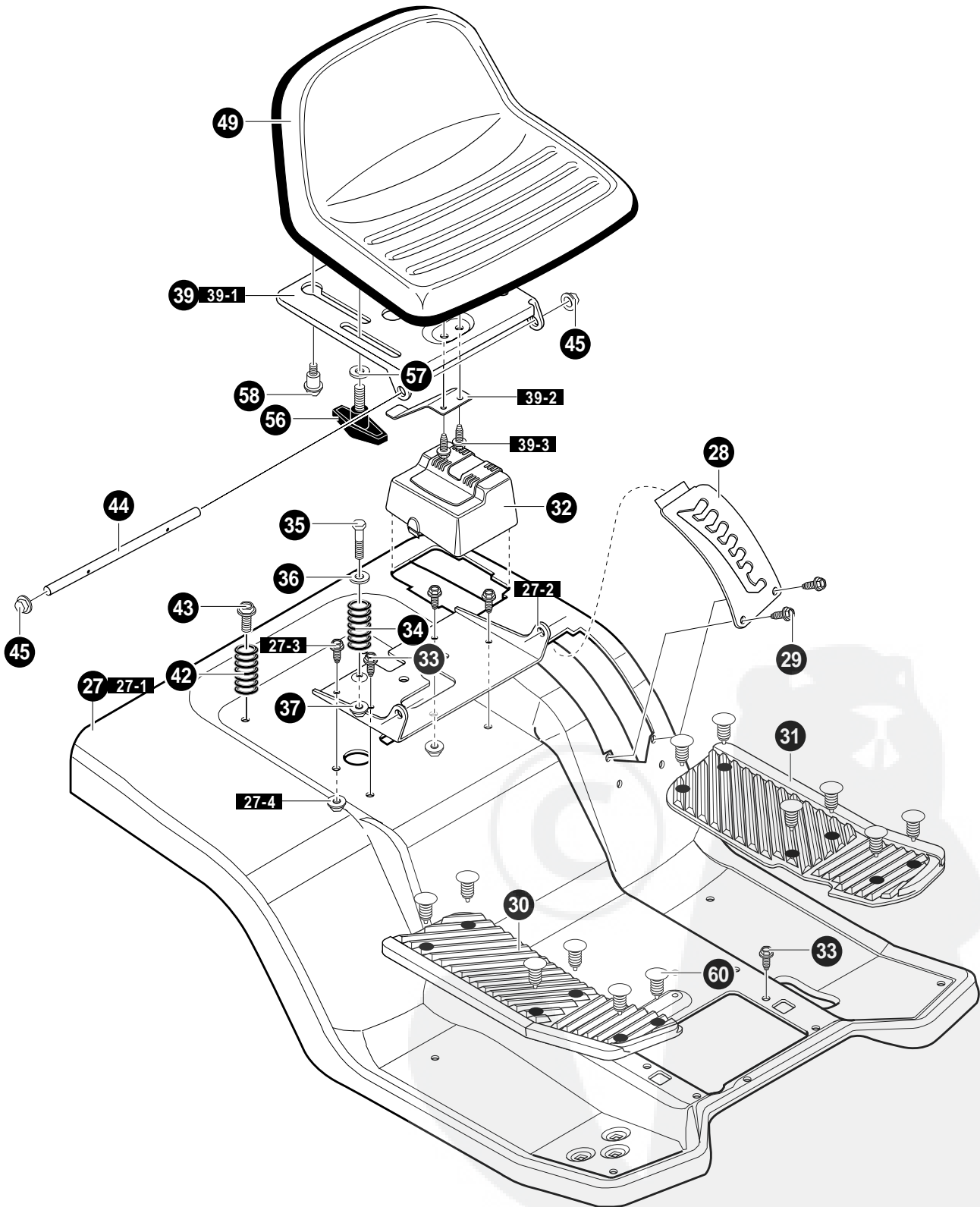


NOTE: ALWAYS USE ORIGINAL EQUIPMENT PARTS.
Use of service/replacement parts other than original
equipment parts may void your warranty.

ALL UNNUMBERED
ITEMS ARE INTERCHANGEABLE
WITH OPPOSITE SIDE

341250B

KEY NO.	PART NO.	DESCRIPTION	QTY
3	710079	SCREW, 5/16-18X.75HHWATAP	2
4	94625	ROD, BRACE	2
6	45171	NUT, 3/8-16 HWDFL WHIZ-LOCK	4
7	94231	ROD, BRACE	2
8	710079	SCREW, 5/16-18X.75HHWATAP	2
9	341493-821	BACK PLATE/BATTERY ASSEMBLY	1
9-1	94569	BACK PLATE ASSEMBLY REBA	1
9-2	94563	BATTERY TRAY WELD ASM.	1
9-3	180073	SCREW, 5/16-18X .50 HHC	3
9-4	45174	NUT, 5/16-18 HEXWDFLLK WHIZ	3
10	94232-821	BRACE, BACK PLATE	2
11	45171	NUT, 3/8-16 HWDFL WHIZ-LOCK	2
12	328154	SCREW, 5/16-18X1.0WDFLLK	4
13	45174	NUT, 5/16-18 HEXWDFLLK WHIZ	4
14	94637-821	ASSY, COLLECTOR SUPPORT	2
15	328154	SCREW, 5/16-18X1.0WDFLLK	2
16	45174	NUT, 5/16-18HEXWDFLLK WHIZ	2
17	94295-821	CHUTE WELD ASM. UPPER	1
18	710079	SCREW, 5/16-18X.75HHWATAP	4
19	57101	BOLT, 5/16-18X .75 CARR	2
20	45174	NUT, 5/16-18 HEXWDFLLK WHIZ	2
21	94970-821	CHUTE WELD ASM. MIDDLE	1
22	51601	BOLT, .500X .453 HSH 3/8-16	2
25	94263-821	COVER, T-AXLE SHIELD	1
26	710264	SCREW, 1/4-20X .50 WAHHTAP	2
52	94264	FLAP,CHUTE REBA	1
53	309235	RATCHET FASTENER	3
61	318197	PAD, ADHESIVE 1.00X1.50X.12	2
70	710116	FLATWASHER .550X1.00X11 17X103	1
71	710343	HAIR PIN .38DIAX1.64LG	1

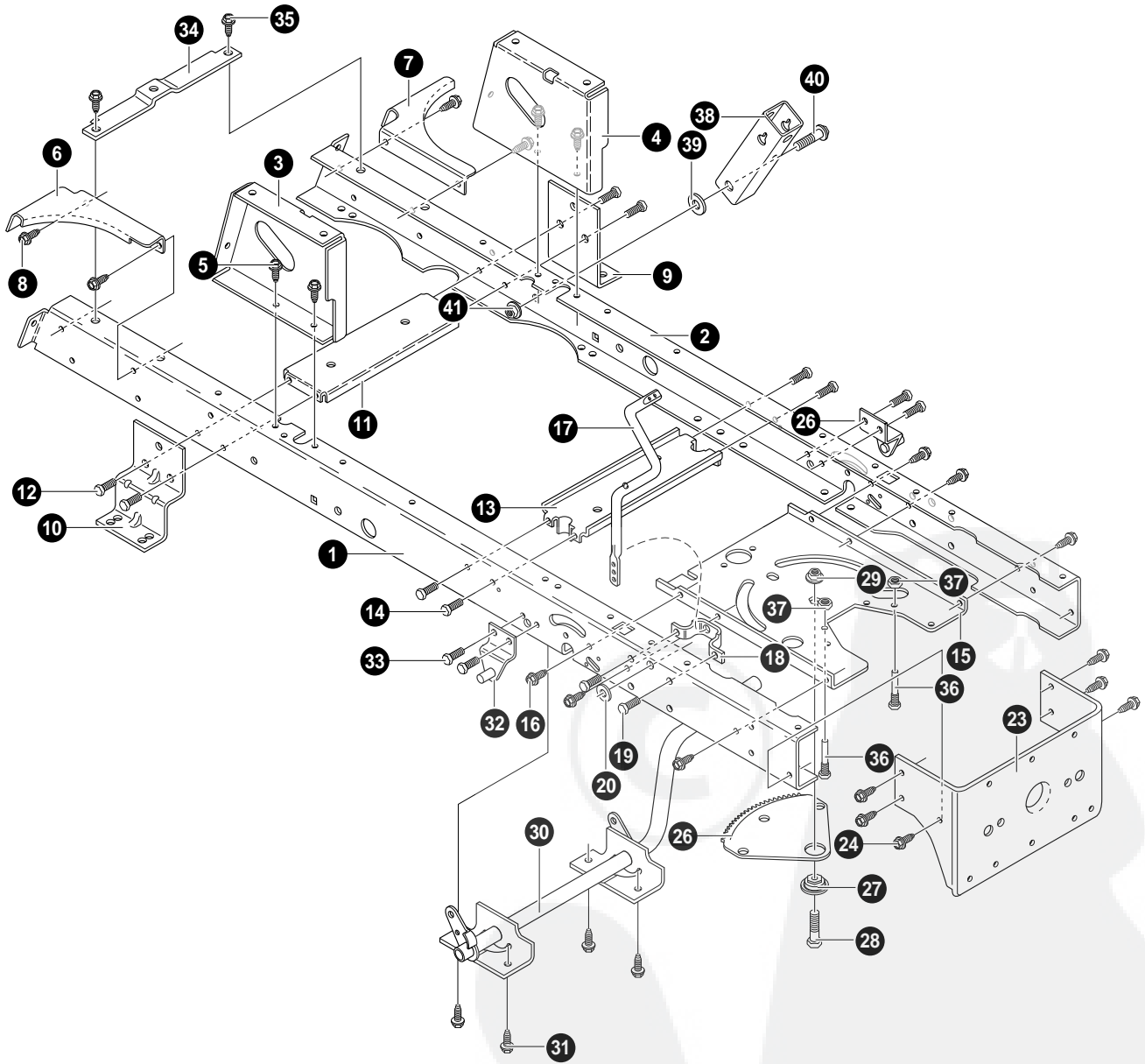


NOTE: ALWAYS USE ORIGINAL EQUIPMENT PARTS.
 Use of service/replacement parts other than original
 equipment parts may void your warranty.

ALL UNNUMBERED
 ITEMS ARE INTERCHANGEABLE
 WITH OPPOSITE SIDE

341250B

KEY NO.	PART NO.	DESCRIPTION	QTY
27	341495-860	ASM.SEAT DECK PEDAL GEAR REBA	1
27-1	94311	SEAT DECK,GEAR DRIVE	1
27-2	94153	BRACKET, PIVOT SEAT	1
27-3	710279	SCREW, 5/16-18X .625	2
27-4	710205	NUT, 5/16-18 WDFLLK (15X88)	2
28	94243-821	PLATE, LIFT DETENT	1
29	710196	SCREW, 10-24X.500TRSEGI	2
30	95438	FOOTREST PAD RH	1
31	95437	FOOTREST PAD LH	1
32	94200	COVER, BATTERY	1
33	710079	SCREW, 5/16-18X.75HHWATAP	3
34	710136	SPRING, COMPRESS 4.57LG X 1.17	1
35	710093	BOLT,SHOULDER 1/4-20NC-2A(9X55)	1
36	94155	WASHER CUP ZINC	1
37	710280	NUT, 1/4-20 WDFLLK (15X89)	1
39	341494-860	SUB ASM. SEAT SUPPORT REBA	1
39-1	94154	SUPPORT, SEAT	1
39-2	94057	SPRING - LEAF	1
39-3	710264	SCREW, 1/4-20X .50 WAHHTAP	2
42	710109	SPRING,COMPRESS 2.43LG (164X30)	2
43	710079	SCREW, 5/16-18X.75HHWATAP	2
44	94156	ZINC HINGE SEAT PIVOT	1
45	710192	NUT, PUSH CAP .375 (28X23)	2
49	95444	SEAT MV1500	1
56	94160	BOLT, WING 5/16-18	2
57	710281	WASHER, FLAT.344X .62X.06	2
58	710101	BOLT, SHOULDER 5/16-18NC (9X56)	2
60	311087	FASTENER,RATCHET	6

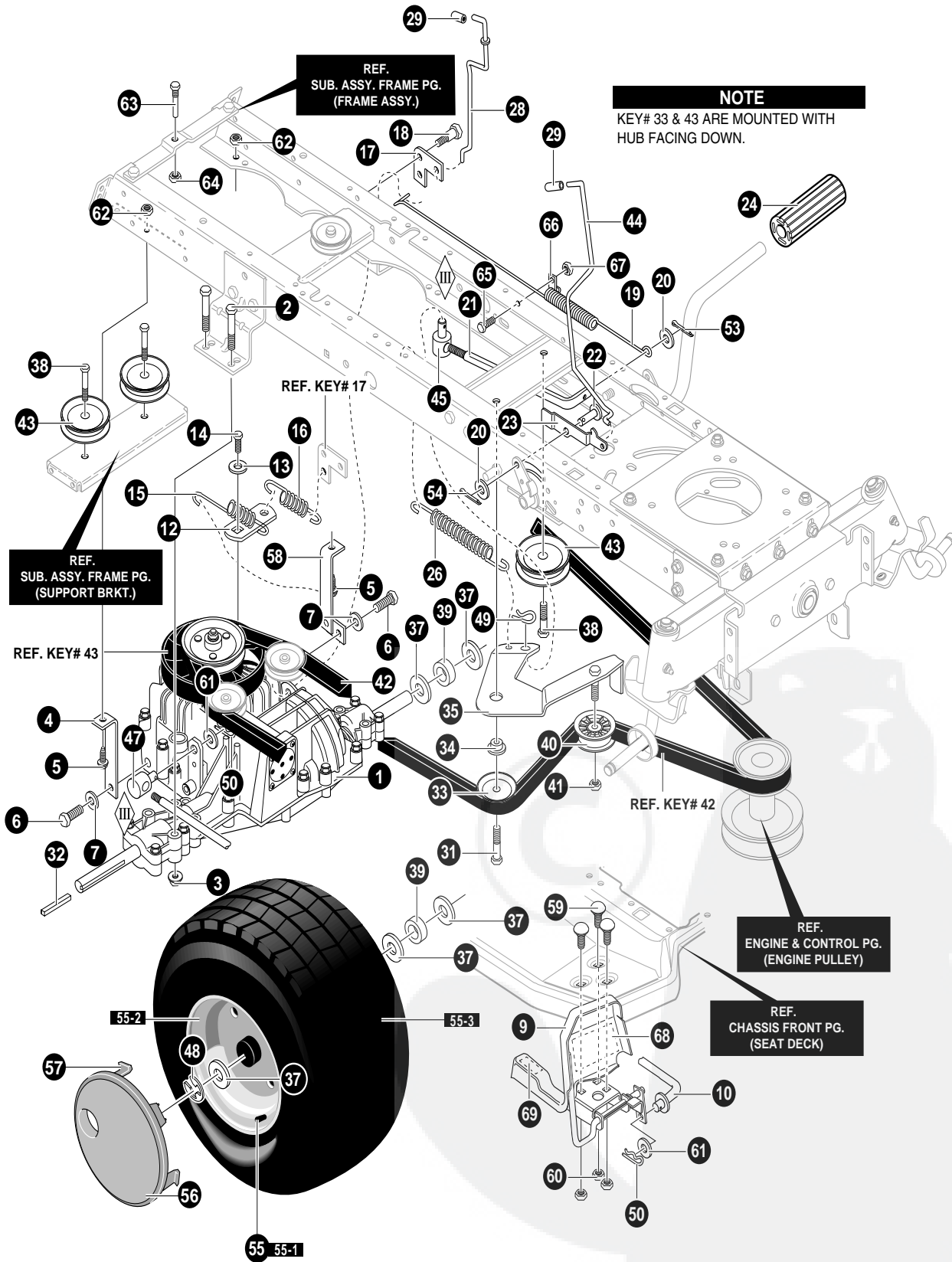


NOTE: ALWAYS USE ORIGINAL EQUIPMENT PARTS.
 Use of service/replacement parts other than original
 equipment parts may void your warranty.

ALL UNNUMBERED
 ITEMS ARE INTERCHANGEABLE
 WITH OPPOSITE SIDE

340370A

KEY PART NO.	PART NO.	DESCRIPTION	QTY
1	94564	FRAME,RAIL RH REBA	1
2	94565	FRAME,RAIL LH REBA	1
3	94634	SUPPORT,SEAT RH	1
4	94633	SUPPORT,SEAT LH	1
5	710079	SCREW, 5/16-18X.75HHWATAP	4
6	94561	BRACE, BACKPLATE RH	1
7	94562	BRACE, BACKPLATE LH	1
8	710079	SCREW, 5/16-18X.75HHWATAP	4
9	94008	BRACKET,TRANSAXLE	1
10	94234	BRACKET,T/A RH-VST, LH-VST	1
11	94236	ASSY, IDLER MOUNT, REAR	1
12	710079	SCREW, 5/16-18X.75HHWATAP	4
13	94237	ASM. IDLER MOUNT,FRONT	1
14	710079	SCREW, 5/16-18X.75HHWATAP	4
15	94003	PLATE,STEERING MOUNTING	1
16	710079	SCREW, 5/16-18X.75HHWATAP	6
17	94019	CRANK, PTO (DRILLED)	1
18	94005	BRACKET, BELL CRANK	1
19	710079	SCREW, 5/16-18X.75HHWATAP	2
20	120395	WASHER, FLAT .469X .92X.065	1
23	94013	BRACKET, HANGER REAR	1
24	710079	SCREW, 5/16-18X.75HHWATAP	6
26	94121	GEAR, SECTOR	1
27	94123	BEARING, SECTOR GEAR	1
28	710312	SCREW, 5/16-18X1.00	1
29	710105	NUT, 5/16-18 HWDFLLK (15X113)	1
30	94241	ASM.CLUTCH/BRAKE PEDAL	1
31	710079	SCREW, 5/16-18X.75HHWATAP	4
32	94285	BRACKET SUPENSION ASM.	2
33	710079	SCREW, 5/16-18X.75HHWATAP	4
34	94566	BRACE, RAIL	1
35	710079	SCREW, 5/16-18X.75HHWATAP	2
36	93349	SCREW GUIDE 5/16-18	2
37	710204	NUT,5/16-18 HEXWDFLLK WHIZ PL	2
38	94015	BRACKET, PIVOT	1
39	845	WASHER, FLAT .390X1.25X.119	1
40	710000	BOLT, .562X1.563 HSH 3/8-16	1
41	710140	NUT,3/8-16HWDFLLK MACK 15X84	1



NOTE
KEY# 33 & 43 ARE MOUNTED WITH HUB FACING DOWN.

REF. SUB. ASSY. FRAME PG. (SUPPORT BRKT.)

REF. SUB. ASSY. FRAME PG. (FRAME ASSY.)

REF. KEY# 17

REF. KEY# 43

REF. KEY# 42

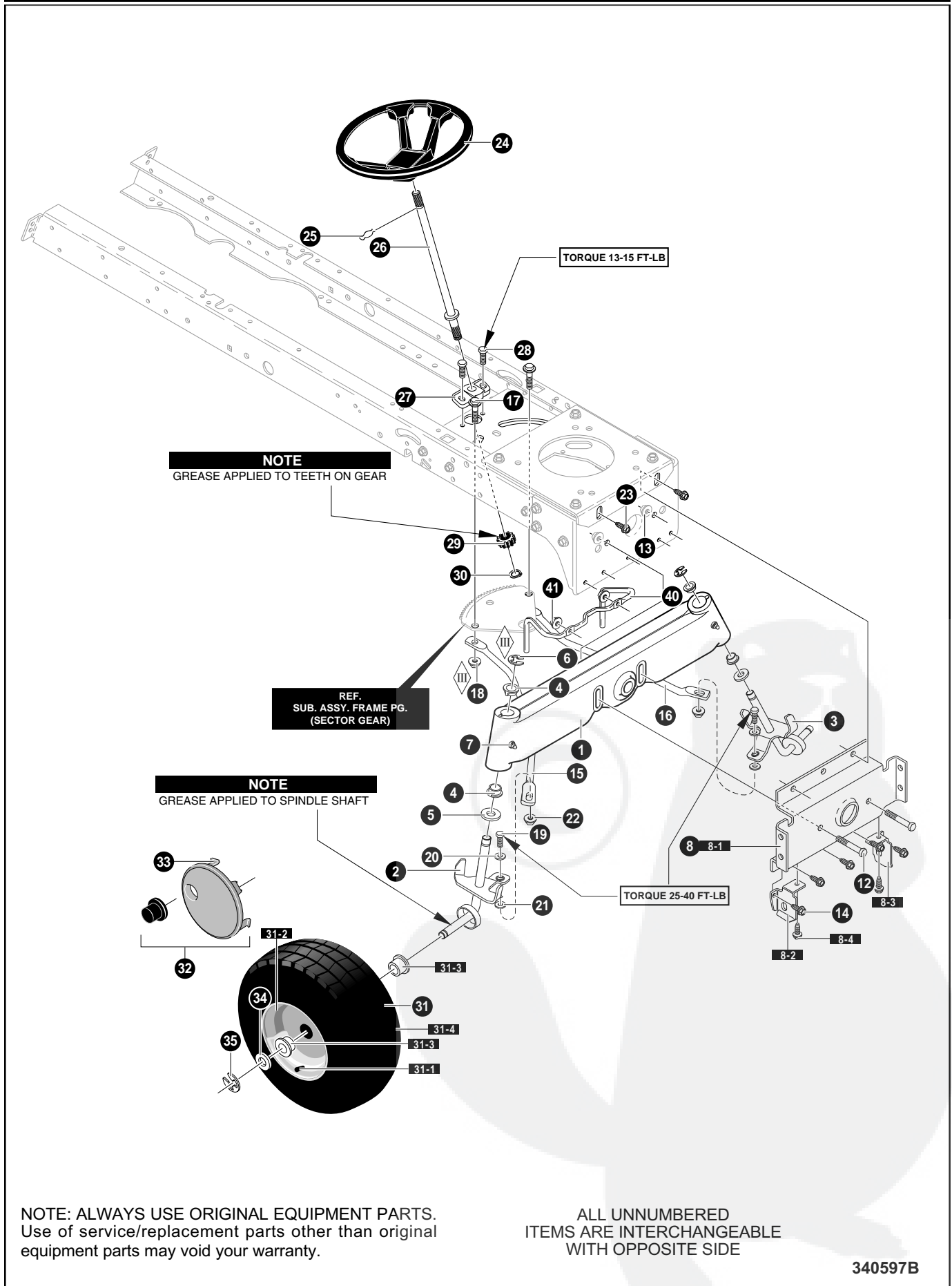
REF. ENGINE & CONTROL PG. (ENGINE PULLEY)

REF. CHASSIS FRONT PG. (SEAT DECK)

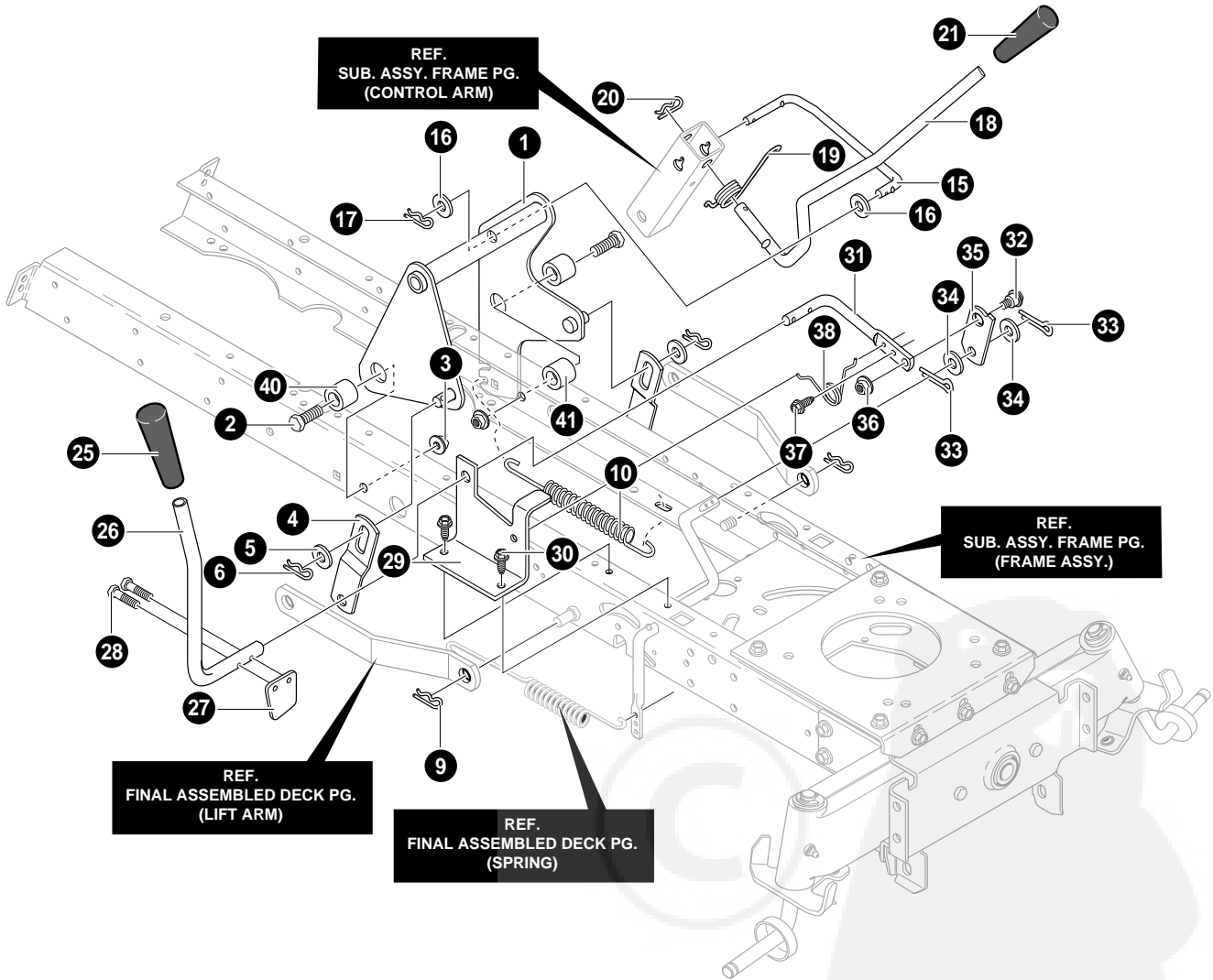
NOTE: ALWAYS USE ORIGINAL EQUIPMENT PARTS. Use of service/replacement parts other than original equipment parts may void your warranty.

ALL UNNUMBERED ITEMS ARE INTERCHANGEABLE WITH OPPOSITE SIDE

KEY NO.	PART NO.	DESCRIPTION	QTY
1		TRANSAXLE PEERLESS VST205-025BM 1	
2	180091	SCREW, 5/16-18X2.50 HHC	4
3	710205	NUT, 5/16-18 WDFLLK (15X88)	4
4	94224-821	BRACKET,STABILIZER	1
5	710079	SCREW, 5/16-18X.75HHWATAP	1
6	35498	SCREW, 5/16-18X .75 WAHHTAP	1
7	120638	WASHER, HVSPTLK .328X.60X.09	1
9	94422-821	PEDAL ASSEMBLY	1
10	94304	FOOT CONTROL ROD	1
12	323212	SHIFT BRACKET	1
13	56255	SCREW, 1/4-28X.75NYLHH	1
14	57157	WASHER .750X.250 SP-TRANSAXLE	1
15	94622	SPRING, TRANSAXLE DISCONNECT	1
16	326780	SPRING, TENSION 3/8ODX2.18X.055	1
17	94621-821	BRACKET, DISCONNECT LEVER	1
18	334126	BOLT, .437X.136 5/16-18	1
19	95424	SPRING, BRAKE 35.00	1
20	120394	WASHER, FLAT .406X.81X.065	1
21	94573	ROD, CLUTCH	1
22	49332	PIN, CLEVIS .375DX.81LG	1
23	94045	LATCH, PARK BRAKE	1
24	21544	PEDAL,BRAKE/CLUTCH STD NLT	1
26	710139	SPRING, TENS .09X . X5.	1
27	780029	NUT, 1/4-20 HEX NYLOCK #71035	1
28	94653	ROD, DISCONNECT CONTROL	1
29	335980	CAP, DUMP VALVE ROD .25IDX.75	1
31	710082	SCREW, 3/8-16X1.5 HHCFLTHR5	1
32	52928	KEY, SQUARE .187SQX2.25LG	2
33	35374	PULLEY, IDLER V4L 3.06X .62	1
34	95423	SPACER, SHOULDER	1
35	94238	ASSY, IDLER ARM TRACTION	1
36	310088	BOLT, .250X .312 HSH 1/4-20	1
37	642	WASHER, FLAT .755X1.31X.075	6
38	180124	SCREW, 3/8-16X1.25	3
39	95421	SPACER, .87 X 1.78	2
40	91179	PULLEY	1
41	45905	NUT, 3/8-16 HWDFLLK MACK	1
42	94609	BELT, V 4L 112.75	1
43	35374	PULLEY, IDLER V4L 3.06X .62	3
44	94152	PARK BRAKE CONTROL ROD	1
45	710059	NUT, 5/16-18X3/8 ADJUSTING	1
47	92132	ADJUSTING NUT 1/2-13	1
48	36625	RING, RETEX .57X.05TRU5133-75	2
49	56180	PIN, HAIR .53DIAX1.62LG	1
50	8260	PIN, HAIR .091 DIAX1.66LG	1
53	121222	PIN, COTTER .090 DIAX .75LG	1
54	121222	PIN, COTTER .090 DIAX .75LG	1
55	692511	TIRE & RIM 20X8.00-8	2
55-1	338512	VALVE STEM	2
55-2	338524	RIM	2
55-3	338525	TIRE 20X8-8	2
56		NOT USED ON THIS UNIT	
57		NOT USED ON THIS UNIT	
58	94225-821	ASM. WELD, BKT STABILIZER LH	1
59	57101	BOLT, 5/16-18X.75 CARR.	3
60	710205	NUT, 5/16-18 WDFLLK (15X88)	3
61	996425	FLATWASHER .515X.88X.064	2
62	45174	NUT,5/16-18 HEXWDFLLK WHIZ	2
63	93349	SCREW GUIDE 5/16-18	1
64	710204	NUT, 5/16-18 HEXWDFLLK WHIZ	1
65	180016	SCREW, 1/4-20 X.50	1
66	57569	RETAINER .311DX.62X.03 WIRE	1
67	51335	NUT, 1/4-20 WDFLWHIZ-LK	1



KEY NO.	PART NO.	DESCRIPTION	QTY
1	95405-821	AXLE, CAST MACHINED	1
2	94178-821	SPINDLE,RH MO#94178	1
3	94179-821	SPINDLE LH,WELD ASSEMBLY	1
4	92527	BEARING, SPINDLE	4
5	710129	WASHER,.766 ID X 1.62ID 16GA	2
6	710103	E-RING .574IDX.050/.750SH 11X3	2
7	706	ZERK, GREASE FITTING	2
8	341491-821	ASM.FRONT AXLE/DECK HANGER	1
8-1	94007	HANGER, AXLE	1
8-2	94290	HANGER,DECK RH	1
8-3	94289	HANGER,DECK LH	1
8-4	710079	SCREW, 5/16-18X.75HHWATAPSGIBP	2
12	180113	SCREW, 5/16-18X3.00	2
13	710205	NUT, 5/16-18 WDFLLK (15X88) Z	2
14	710079	SCREW, 5/16-18X.75HHWATAPSGIBP	2
15	94020-821	DRAG LINK, RH	1
16	94021-821	DRAG LINK, LH	1
17	710440	BOLT,HHSH (9X57)	2
18	710140	NUT,3/8-16HWDFLLK MACK 15X84	2
19	710082	SCREW, 3/8-16X1.5	2
20	710083	WASHER, FLAT .391X1.00X.083	2
21	710142	WASHER, FLAT.406X .81X16GA	2
22	710140	NUT,3/8-16HWDFLLK MACK 15X84 Z	2
23	710079	SCREW, 5/16-18X.75HHWATAPSGIBP	3
24	95442	STEERING WHEEL	1
26	94127	SHAFT, STEERING	1
27	94124	BEARING-LOWER	1
28	710079	SCREW, 5/16-18X.75HHWATAPSGIBP	2
29	94122	GEAR PINNION	1
30	710102	RING, RET E.54ID .59SH (11X25)	1
31	692641	TIRE & RIM 15X6-6	2
31-1	338512	VALVE STEM	2
31-2	338517	RIM, CARLISLE	2
31-3	338513	BEARING	2
31-4	338514	TIRE, 15X6X6	2
34	710350	WASHER, FLAT .765X1.62X.065Z	2
35	36625	RETAINING RING	2
36	710350	WASHER, FLAT .765X1.62X.065Z	2
40	94310	GUIDE-STACK PULLEY BELT	1
41	45174	NUT, 5/16-18 HEXWDFLLK WHIZ	2

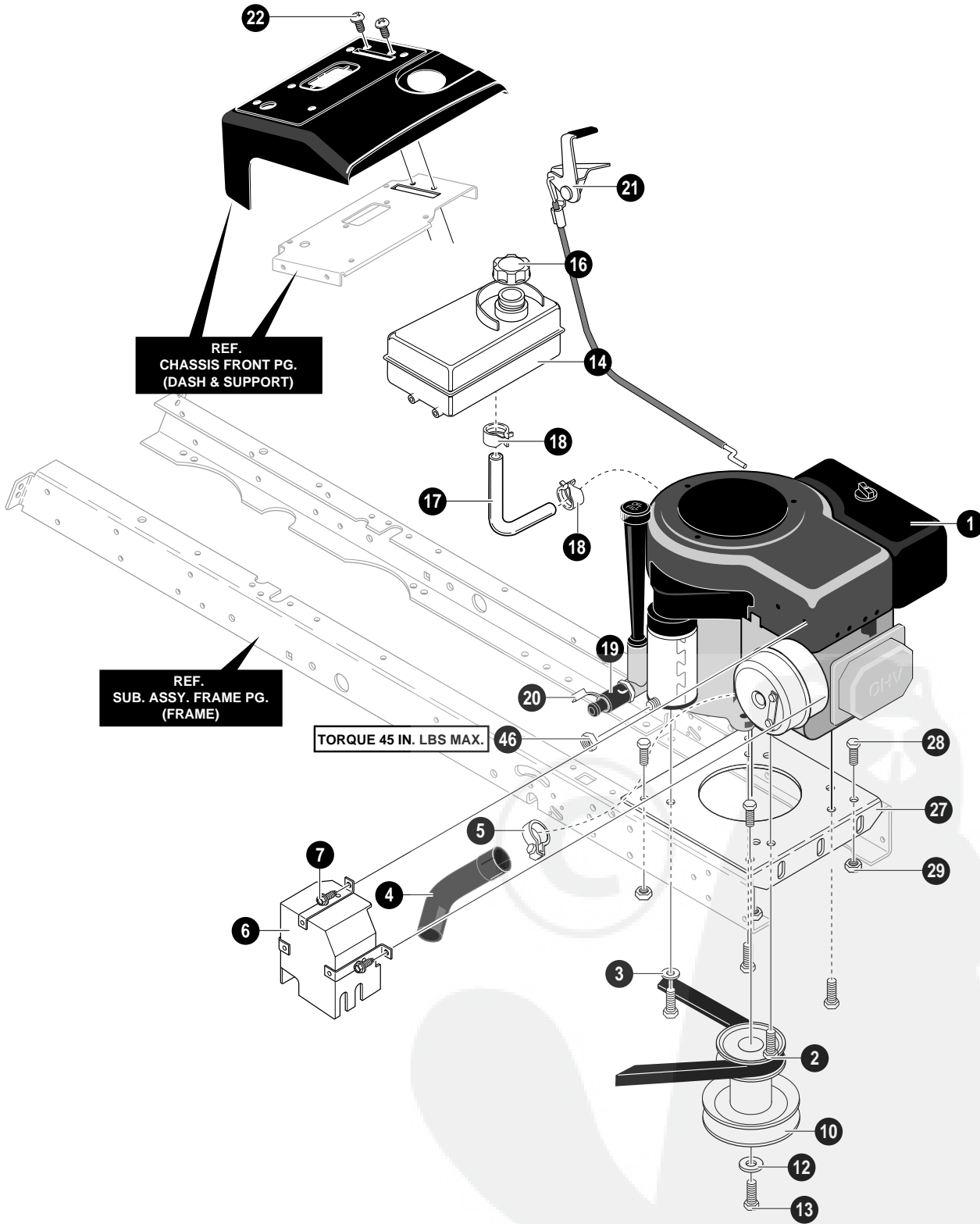


NOTE: ALWAYS USE ORIGINAL EQUIPMENT PARTS.
Use of service/replacement parts other than original equipment parts may void your warranty.

ALL UNNUMBERED
ITEMS ARE INTERCHANGEABLE
WITH OPPOSITE SIDE

340859C

KEY NO.	PART NO.	DESCRIPTION	QTY
1	94299-821	LIFT ARM WELD ASSEMBLY	1
2	710222	SCREW, 1/2-13X1.50 (1X127)	2
3	710223	NUT, 1/2-13 LOCK (15X41)	2
4	94262-821	BRACKET, LIFT LINK	2
5	710119	FLATWASHER (17X91)	2
6	710108	PIN, HAIR (31X4)	2
9	710108	PIN, HAIR (31X4)	2
10	710235	SPRING, EXTENSION 9.82X1.01OD	1
15	94276	LINK, LIFT HANDLE	1
16	710119	FLATWASHER (17X91)	2
17	8260	PIN, HAIR .091 DIA X 1.66LG	1
18	94029	HANDLE, LIFT	1
19	710111	TORSION SPRING .657LG (166X40)	1
20	710108	PIN, HAIR (31X4)	1
21	94929	GRIP, GREY	1
25	94928	GRIP, GREY	1
26	94827	PTO LEVER	1
27	94022	PADDLE, SWITCH	1
28	710137	SCREW, THD FORMING	2
29	94018-821	BRACKET, PTO	1
30	710079	SCREW, 5/16-18X.75HHWATAP	2
31	94017	LEVER, PTO	1
32	710098	BOLT .50X.75 HSSH 3/8-16Z 9X39	1
33	36368	HAIR PIN	2
34	710115	FLATWASHER .518X.87X16 17X102	2
35	94004	LINK PTO ZINC	1
36	710140	NUT, 3/8-16HWDFLLK MACK (15X84)	1
37	710079	SCREW, 5/16-18X.75HHWATAP	1
38	710141	TORSION SPRING .33LG (166X39)	1
40	94309	SPACER.513 ID X .880 OD	2
41	56150	SPACER, SLEV .94X1.13X.531	1

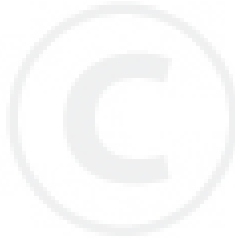


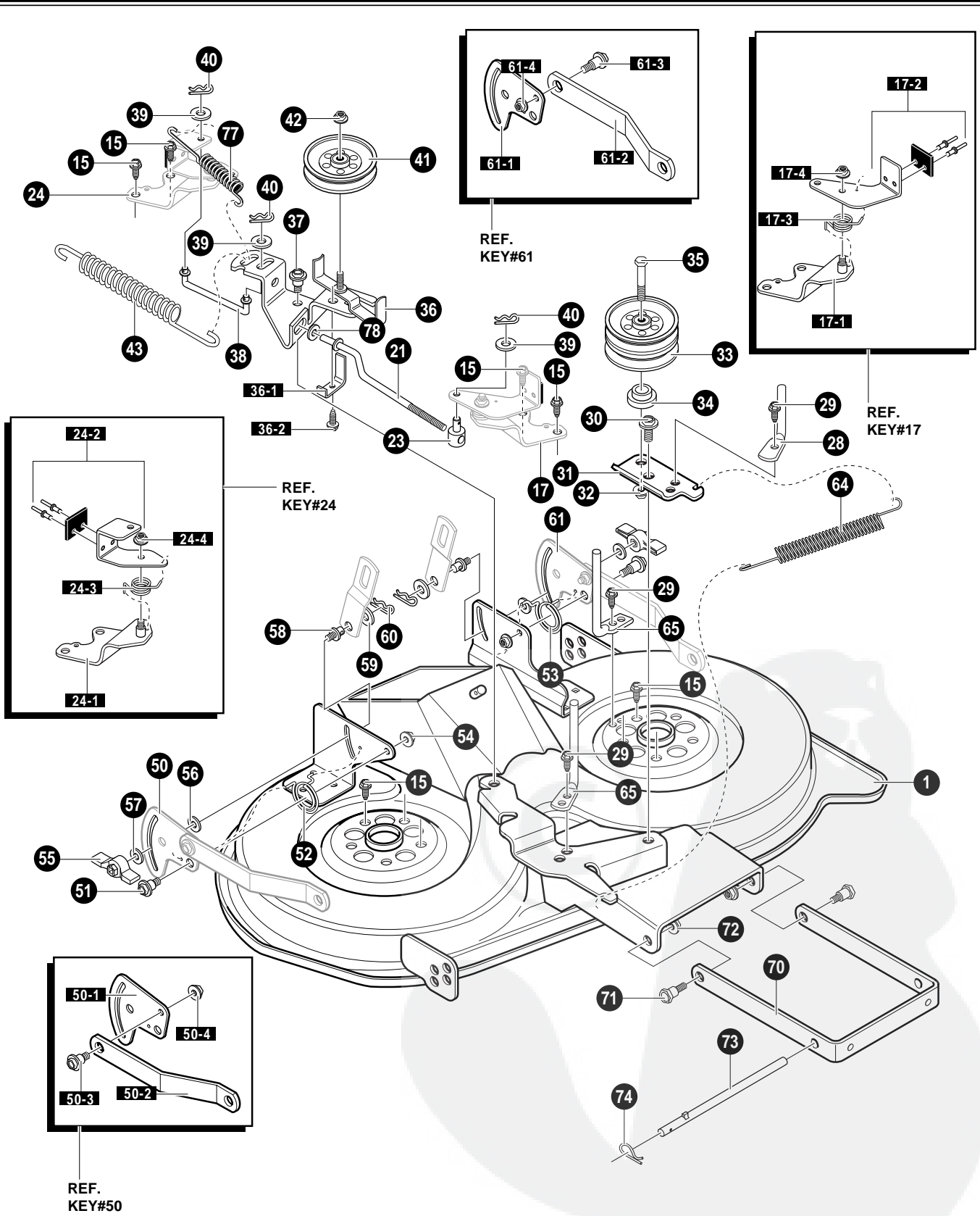
NOTE: ALWAYS USE ORIGINAL EQUIPMENT PARTS.
 Use of service/replacement parts other than original
 equipment parts may void your warranty.

ALL UNNUMBERED
 ITEMS ARE INTERCHANGEABLE
 WITH OPPOSITE SIDE

341351A

KEY PART NO. NO.	DESCRIPTION	QTY
1	ENGINE 15.5HP BS OHV(SEE ENGINE MANUAL)	1
2	50947 SCREW, 3/8-16X1.25 WAHHTAP	4
3	138489 WASHER, EXLK .384X.69X.04	1
4	92559 PIPE, EXHAUST	1
5	92558 CLAMP ASSEMBLY	1
6	92550 ASM. HEAT SHIELD	1
7	710264 SCREW 1/4-20X.50 WAHHTAP	2
10	94308 PULLEY, ENGINE 4.89X6.75X5.4OFF	1
12	120383 WASHER, REGSPTLK.459X.78X.12 Z	1
13	433146 SCREW, 7/16-20X4.25 HHC BLK PH	1
14	92342 FUEL TANK	1
16	92317 FUEL CAP	1
17	41007 TUBING, .25X.50 GAS LINE	14.50 IN.
18	91174 CLAMP, GAS LINE	2
19	325547 OIL DRAIN VALVE ASSEMBLY	1
20	327422 CAP,OIL DRAIN VALVE ASM.YELLOW	1
21	91989 THROTTLE CONTROL	1
22	710245 SCREW, #8-16X .38 TRCRTAPABBLC	2
27	94006-821 PLATE, ENGINE	1
28	710079 SCREW, 5/16-18X.75HHWATAPSGIBP	4
29	710205 NUT, 5/16-18 WDFLLK (15X88)	4



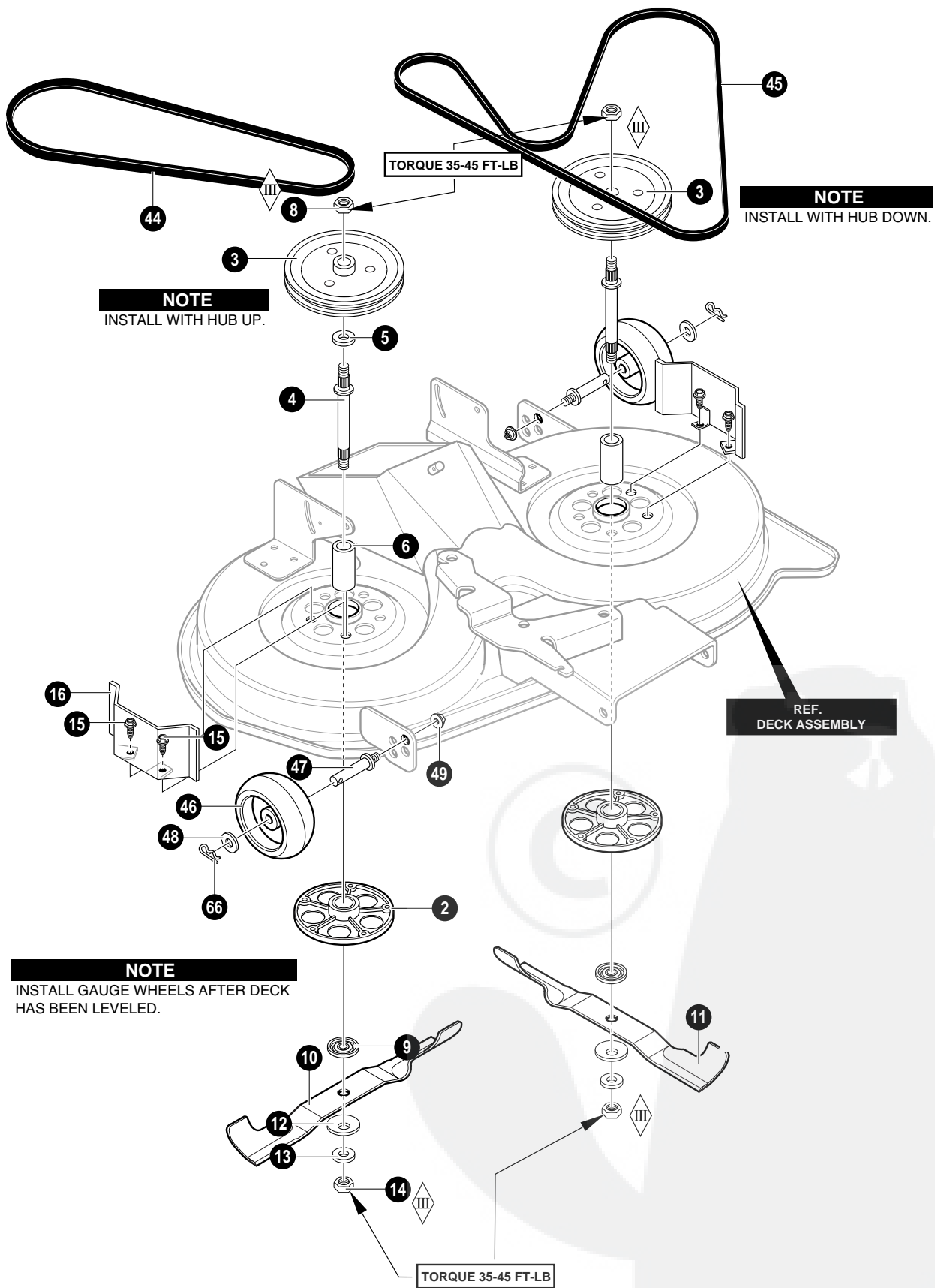


NOTE: ALWAYS USE ORIGINAL EQUIPMENT PARTS. Use of service/replacement parts other than original equipment parts may void your warranty.

ALL UNNUMBERED ITEMS ARE INTERCHANGEABLE WITH OPPOSITE SIDE

340977A

KEY NO.	PART NO.	DESCRIPTION	QTY
1	94303-821	WELD ASSEMBLY DECK	1
15	710265	SCREW, 3/8-16X1.00 WAHHSPTAPPL	10
17	94665-821	BRAKE ARM ASSEMBLY LH	1
17-1	94293	BRAKE SUPPORT ASSEMBLY LH	1
17-2	94291	BRAKE ARM ASSEMBLY LH	1
17-3	710110	SPRING, TORSION (166X27)	1
17-4	710205	NUT, 5/16-18 WDFLLK (15X88)	1
21	94277	LINK, BRAKE LH	1
23	21920	NUT,ADJ. 3/8-16TAP	1
24	94664-821	BRAKE ARM ASSEMBLY RH	1
24-1	94294	BRAKE SUPPORT ASSEMBLY RH	1
24-2	94292	BRAKE ARM ASSEMBLY RH	1
24-3	710077	SPRING, TORSION	1
24-4	710205	NUT, 5/16-18 WDFLLK (15X88)	1
28	94274	GUIDE, BELT REBA	1
29	710114	SCREW,5/16-18 .50HHTAP	3
30	710098	BOLT.50X.75 HSH 3/8-16Z 9X39	1
31	94261-821	ARM, DOUBLE IDLER	1
32	710140	NUT,3/8-16HWDFLLK MACK 15X84	1
33	94279	PULLEY, IDLER DOUBLE VEE	1
34	94269	SPACER, REBA DECK	1
35	180138	SCREW, 3/8-16X3.00 HHC	1
36	94973-821	IDLER ARM ASSEMBLY	1
36-1	94312	SPRING,-GUIDE BELT	1
36-2	710264	SCREW, 1/4-20X.50 WAHHTAP	1
37	710098	BOLT.50X.75 HSH 3/8-16Z 9X39	1
38	94278	LINK, BRAKE RH	1
39	316079	WASHER, FLAT .406X .82X.040	1
40	8260	PIN, HAIR .091 DIA X1.66LG	3
41	94280	PULLEY, V IDLER 4"	1
42	710140	NUT,3/8-16HWDFLLK MACK 15X84	1
43	710234	SPRING, EXTN 5.40X.714OD	1
50	341593-821	PLATE - SUSPENSION ASSY	1
50-1	94128	PLATE - SUSPENSION	1
50-2	94055	SUSPENSION BRKT REAR	1
50-3	710095	SHOULDER BOLT 3/8-16 (9X52)	1
50-4	710140	NUT, 3/8-16 MACK (15X84)	1
51	710094	BOLT, SHOULDER .375 (9X51)	2
52	710112	SPRING,TORSION .68LG RH (166X42)	1
53	710113	SPRING,TORSION .68LG LH (166X43)	1
54	710140	NUT,3/8-16HWDFLLK MACK (15X84)	2
55	94068	KNOB	2
56	94137	PAD, FRICTION	2
57	710195	WASHER (17X45)	2
58	94064	PIN, HANGER	2
59	710116	WASHER,FLAT.550X1.00X11 (17X103)	2
60	710108	PIN, HAIR (31X4)	2
61	341594-821	ASM. PLATE REAR SUS BRKT LH	1
61-1	94128	PLATE - SUSPENSION	1
61-2	94055	SUSPENSION BRKT REAR	1
61-3	710095	SHOULDER BOLT 3/8-16 (9X52)	1
61-4	710140	NUT, 3/8-16 MACK (15X84)	1
64	710233	SPRING, EXTN 4.20X.75OD	1
65	94275	GUIDE BELT	2
70	94058-821	BRACKET, FRT SUSPENSION	1
71	710094	BOLT, SHOULDER .375 (9X51)	2
72	710140	NUT,3/8-16HWDFLLK MACK (15X84)	2
73	94158	ZINC ROD, HANGER	1
74	710108	PIN, HAIR (31X4)	1
77	710658	SPRING, EXTENSION	1
78	996416	WASHER, FLAT .391X1.00X.125	1

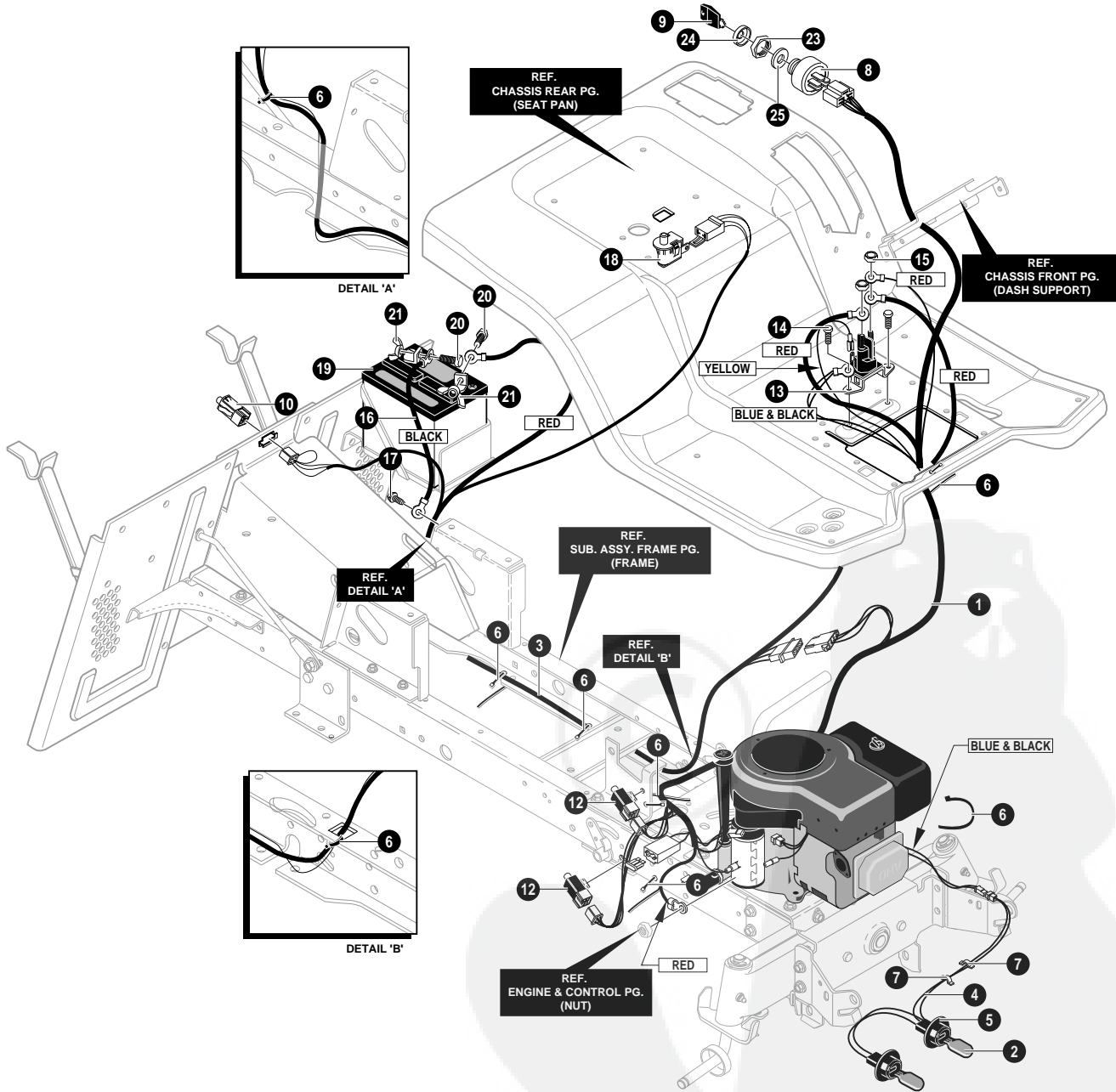


NOTE: ALWAYS USE ORIGINAL EQUIPMENT PARTS. Use of service/replacement parts other than original equipment parts may void your warranty.

ALL UNNUMBERED ITEMS ARE INTERCHANGEABLE WITH OPPOSITE SIDE

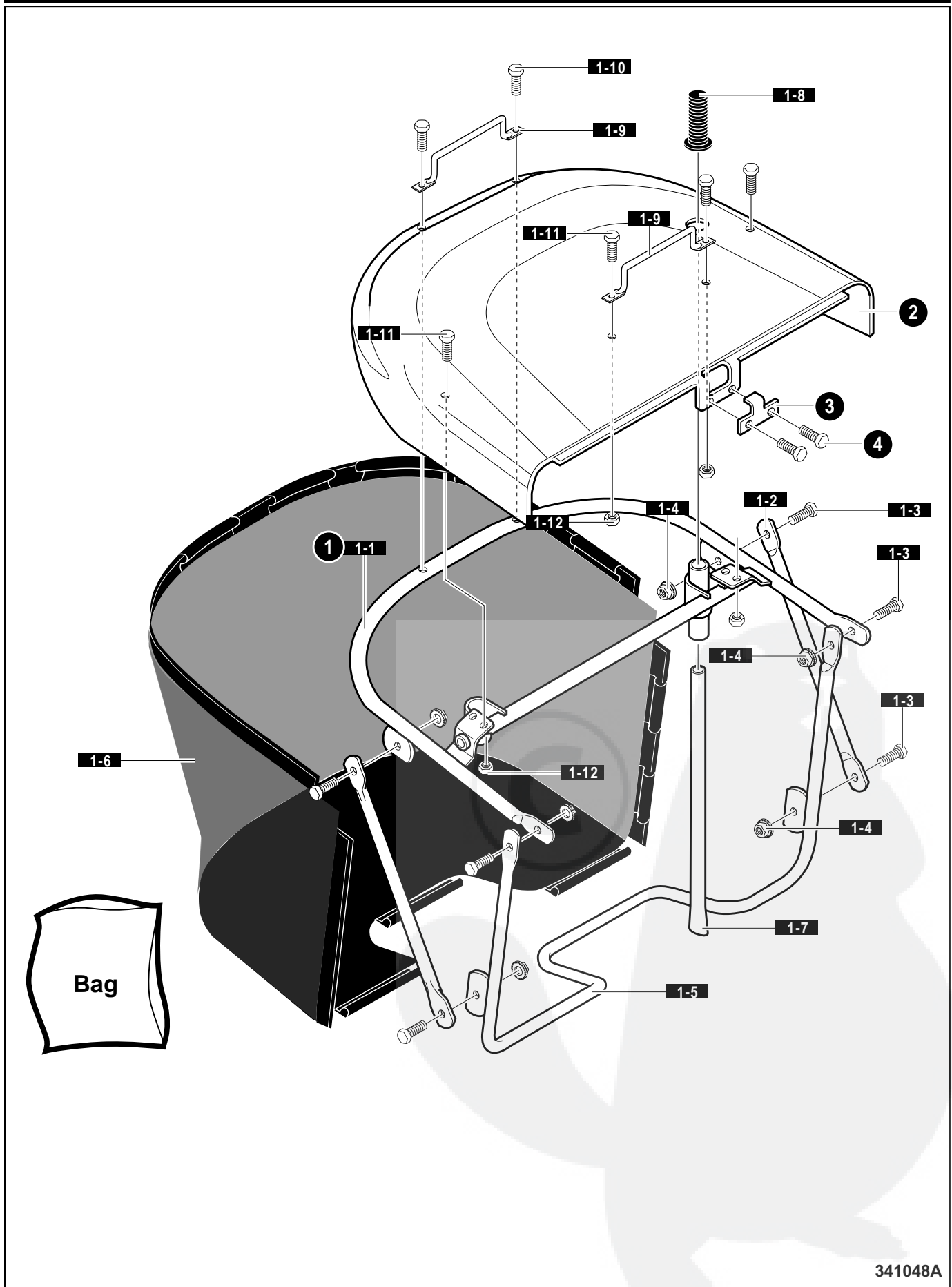
340977A

KEY NO.	PART NO.	DESCRIPTION	QTY
2	94305	ASM.JACKSHAFT HOUSING W/VENTS	2
3	92425	PULLEY, DECK REBA	2
4	91922	JACKSHAFT, 7.76LG-9/16-18TH	2
5	710117	WASHER,FLAT .625X1.00X.188	1
6	91903	SPACER	2
8	710408	NUT, 9/16-18 CTLK (15X101)	2
9	94207	ADAPTER, DECK/BLADE	2
10	94208	BLADE, 40" RH REAR DISCHARGE	1
11	94209	BLADE, 40" LH REAR DISCHARGE	1
12	710118	WASHER, FLAT.625X1.75 17X166	2
13	710117	WASHER, FLAT .625X1.00X.188	2
14	710104	NUT, 9/16 REGHEX (15X100)	2
15	710265	SCREW, 3/8-16X1.00 WAHHSPTAPPL	10
16	94288-821	COVER PULLEY	2
44	710231	BELT, V	1
45	710232	BELT, V- 40" DECK	1
46	92683	GAUGE WHEEL,4.94 DIA.	2
47	94025	BOLT, SPSH 3/8-16X.63SH3.00LG	2
48	710115	WASH ER, FLAT.518X.87X16 17X102	2
49	710140	NUT,3/8-16HWDFLK MACK 15X84	2
66	710108	HAIR PIN (31X4)	2



KEY NO.	PART NO.	DESCRIPTION	QTY
1	94745	HARNESS 14BS	1
2	780216	BULB, HEADLIGHT 1156	2
3	94742	HARNESS, REAR-BATTERY REBA	1
4	94780	WIRE ASSEMBLY, HEADLIGHT	1
5	92372	SOCKET, LAMP	2
6	57444	TIE, CABLE BLACK NYLON 5.62L	5
7	41482	PRESS CLIP	2
8	94762	SWITCH, IGNITION 7 TERM	1
9	327350	KEY, IGNITION DELTA	1
10	320082	SWITCH, DOUBLE POLE NO/NC GRAY	1
12	94136	SWITCH LIMIT DELTA 6400-84	2
13	94613	SOLENOID	1
14	710133	SCREW, HHWATAP 1/4X.50 Z REV*BH	2
15	710203	NUT, 1/4-20 HEXNYL 15X116 BLKZ	2
16	95420	WIRE, GROUND, 20.0"	1
17	710133	SCREW, HHWATAP 1/4X.50 Z REV*BH	1
18	94159	SWITCH, SEAT	1
19	302257	BATTERY, 12 VOLT 7 PLATE	1
20	710226	BOLT, 1/4-20X.63CAR (2X82)	2
21	710225	NUT, WING 1/4-20 NC (14X79)	2
25	138557	WASHER, REGINTLK .640X1.1X.05	1





KEY NO.	PART NO.	DESCRIPTION	QTY
1	94560	ASM.GRASS COLLECTOR REBA	1
1-1	94849	ASSY., UPPER FRAME	1
1-2	94850	BRACE, FRAME COLLECTOR REBA	2
1-3	180020	SCREW, 1/4-20X.75	6
1-4	780029	NUT, 1/4-20 HEX NYLOCK #71035	6
1-5	94851	ASSY., FRONT FRAME REBA COLLECT	1
1-6	94852	BAG, REBA COLLECTOR	1
1-7	94853	HANDLE, DUMP REBA COLLECT.	1
1-8	94854	RUBBER GRIP 7/8" REBA	1
1-9	94855	HANDLE, REBA COLLECTOR	2
1-10	710266	SCREW, 10-24X.38 SLHWATAP	2
1-11	710266	SCREW, 10-24X.38 SLHWATAP	4
1-12	308459	NUT, #10-24 HXHDNYLK	4
2	94908-860	TOP COVER, COLLECTOR REBA	1
3	94244	BRACKET, SWITCH	1
4		RIVET, POP (NON-SERVICEABLE PART)	