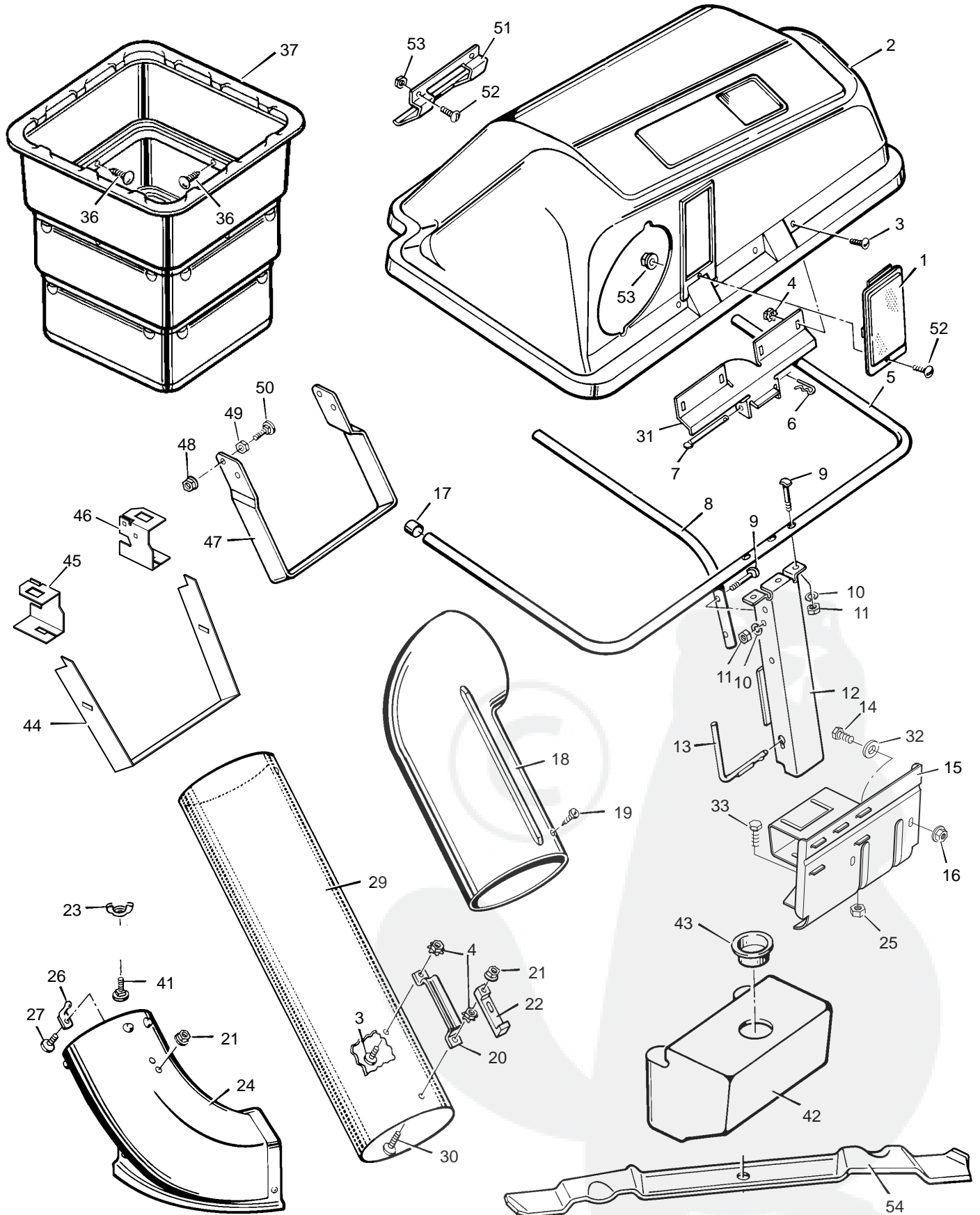


# MODEL 24740x20B

# REPAIR PARTS GRASS BAGGER



# MODEL 24740x20B

# REPAIR PARTS GRASS BAGGER

| Key No. | Description            | Part No.  | Key No. | Description   | Part No.               |
|---------|------------------------|-----------|---------|---|------------------------|
| 1       | Window                 | 54575     | 26      | Pin, Latch  | 54563                  |
| 2       | Cover                  | 54576     | 27      | Bolt, Carriage                                      | 2x39                   |
| 3       | Screw                  | 4x24      | 29      | Tube, Connector                                     | 91967                  |
| 4       | Locknut                | 15x66     | 30      | Screw   | 4x71                   |
| 5       | Tube, "U"              | 54410E701 | 31      | Hinge, Cover  | 54398E701              |
| 6       | Pin, Hair              | 31x6      | 32      | Washer  | 17x51Z                 |
| 7       | Pin, Hinge             | 54407Z    | 33      | Bolt, Hex   | 1x125                  |
| 8       | Tube, Center           | 54412E701 | 36      | Fastener, Plastic *                                 | 193x1                  |
| 9       | Bolt, Special          | 6x93Z     | 37      | Containers (Quantity 2)                             | 54727SE                |
| 10      | Lockwasher             | 18x15     | 41      | Bolt, Carriage                                      | 2x64                   |
| 11      | Nut, Hex               | 15x32     | 42      | Shell, Front Weight                                 | 55441                  |
| 12      | Channel Assembly       | 54422E701 | 43      | Plug, Front Weight                                  | 24863                  |
| 13      | Pin, Channel           | 54408Z    | 44      | Support, Weight (Type A)                            | 92386E701              |
| 14      | Bolt, Hex              | 1x84      | 45      | Bracket, Right Hanger                               | 92385E701              |
| 15      | Mount Assembly, Bagger | 54587E701 | 46      | Bracket, Left Hanger                                | 92384E701              |
| 16      | Nut, Hex               | 15x108    | 47      | Support, Weight (Type B)                            | 54552E701              |
| 17      | Cap, End               | 24862     | 48      | Nut, Flange   | 15x88                  |
| 18      | Elbow                  | 91944     | 49      | Nut, Jam  | 15x109                 |
| 19      | Screw                  | 26x239    | 50      | Carriage, Bolt                                      | 2x74                   |
| 20      | Handle, Connector Tube | 54416E701 | 51      | Handle, Plastic                                     | 54537                  |
| 21      | Locknut, Flange        | 15x89     | 52      | Screw   | 4x21                   |
| 22      | Latch, Rubber          | 54965     | 53      | Nut, Hex  | 15x81                  |
| 23      | Wingnut                | 14x86     | 54      | Blade, High Lift (97cm)<br>Blade, High Lift (101cm) | 91742E701<br>91871E701 |
| 24      | Tube, Extension        | 54564SE   | —       | Book, Instruction                                   | F-96901                |
| 25      | Hex Nut                | 15x41     |         |   |                        |

\* Included with Key No. 37.