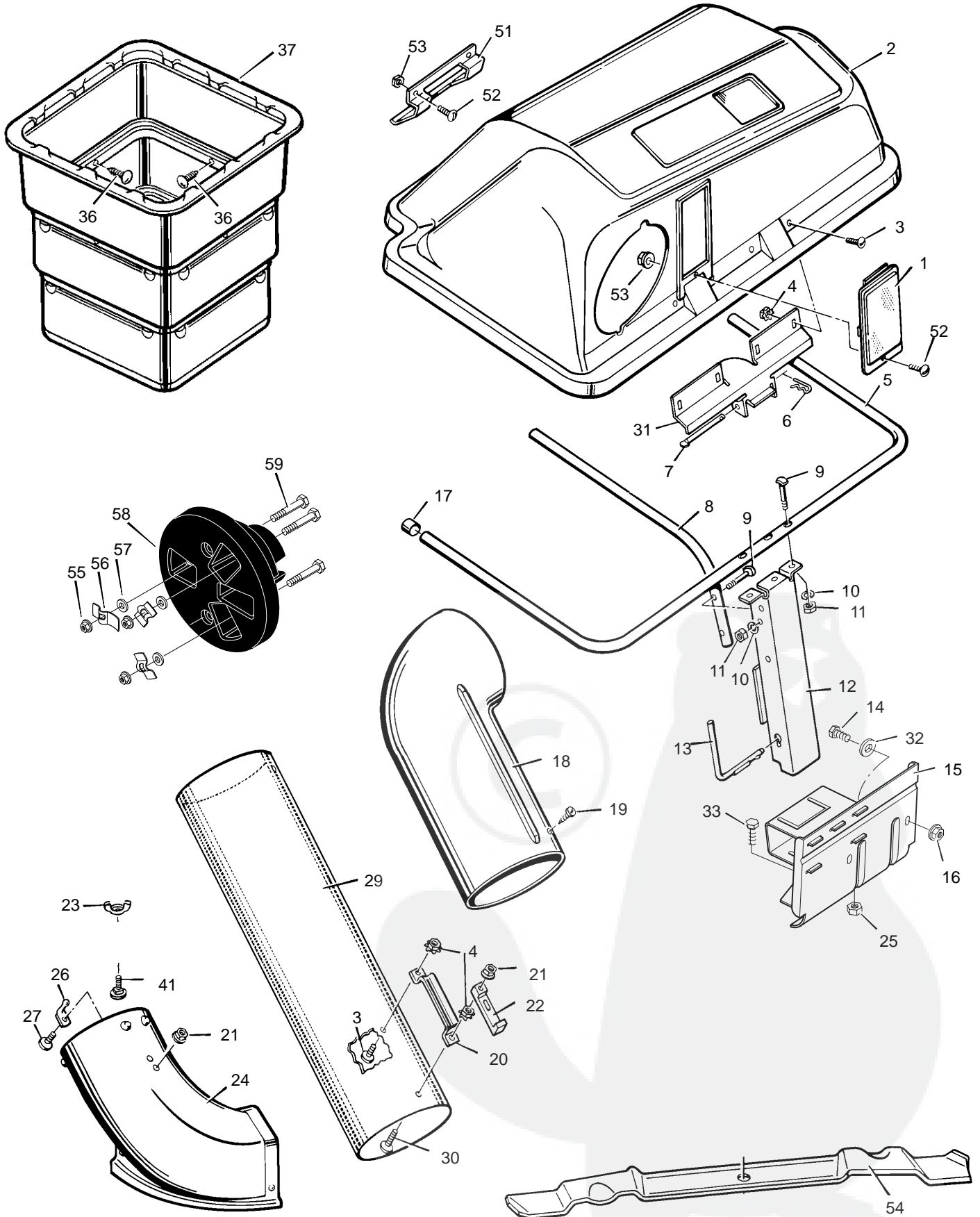


MODEL 24743x50A

REPAIR PARTS GRASS BAGGER



MODEL 24743x50A

REPAIR PARTS GRASS BAGGER

Key No.	Description	Part No.	Key No.	Description	Part No.
1	Window	54575	24	Tube, Extension	54564SE
2	Cover	54576	25	Hex Nut	15x41
3	Screw	4x24	26	Pin, Latch	54563
4	Locknut	15x66	27	Bolt, Carriage	2x39
5	Tube, "U"	54410E701	29	Tube, Connector	91967
6	Pin, Hair	31x6	30	Screw	4x71
7	Pin, Hinge	54407Z	31	Hinge, Cover	54398E701
8	Tube, Center	54412E701	32	Washer	17x51Z
9	Bolt, Special	6x93Z	33	Bolt, Hex	1x125
10	Lockwasher	18x15	36	Fastener, Plastic *	193x1
11	Nut, Hex	15x32	37	Containers (Quantity 2)	54727SE
12	Channel Assembly	54422E701	41	Bolt, Carriage	2x64
13	Pin, Channel	54408Z	51	Handle, Plastic	54537
14	Bolt, Hex	1x84	52	Screw	4x21
15	Mount Assembly, Bagger	94690E701	53	Nut, Hex	15x81
16	Nut, Hex	15x108	54	Blade, High Lift (97cm) Blade, High Lift (101cm) Blade, High Lift (106cm)	91742E701 91871E701 95101E701
17	Cap, End	24862	55	Nut, Flange	15x88
18	Elbow	91944	56	Clip, Wheel	94784
19	Screw	26x239	57	Retainer	28x64
20	Handle, Connector Tube	54416E701	58	Weight, Wheel	94783
21	Locknut, Flange	15x89	59	Bolt	1X141
22	Latch, Rubber	54695	—	Book, Instruction	F-97901
23	Wingnut	14x86			

* Included with Key No. 37.