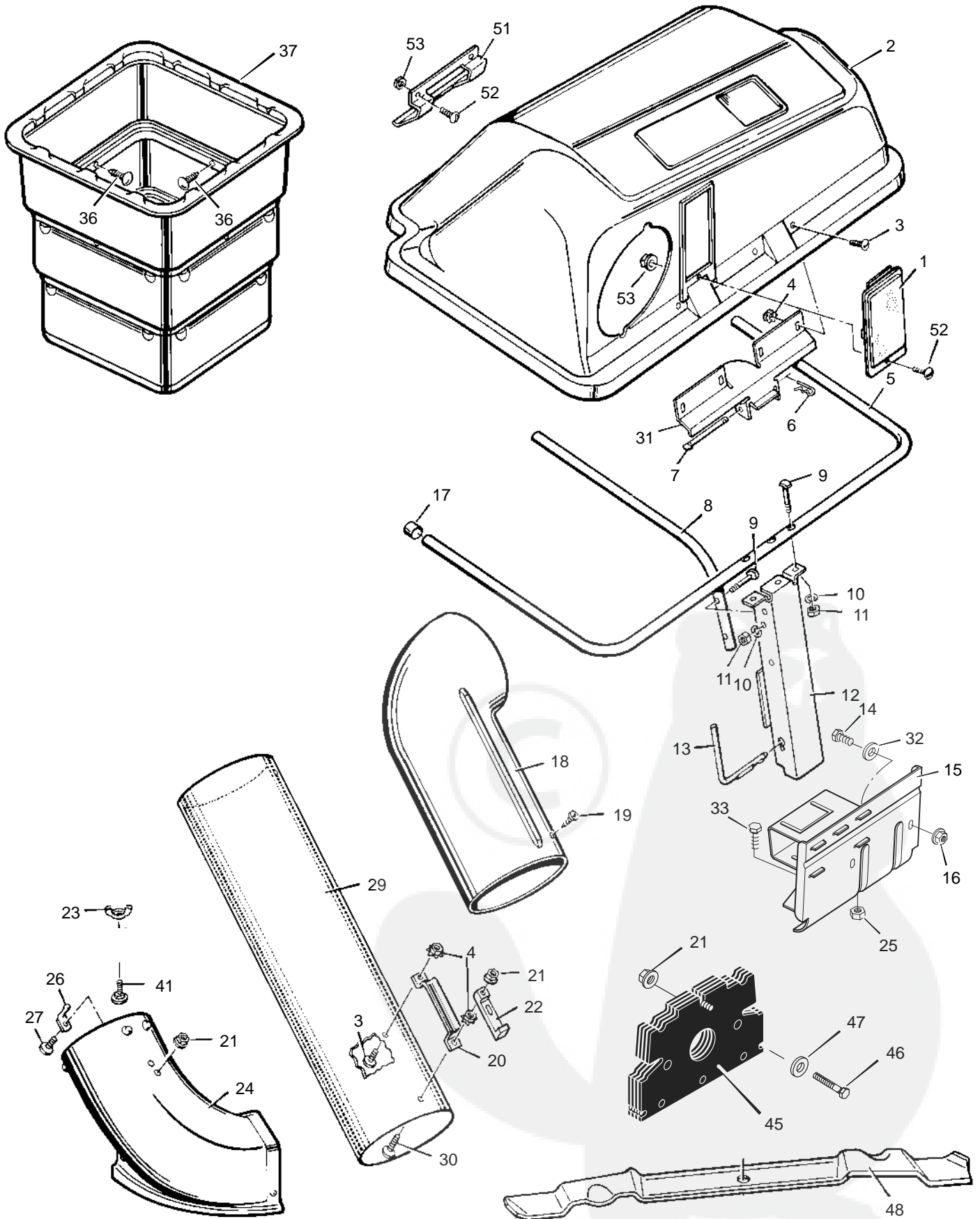


24744x50A



24744x50A

Key No.	Description	Part No.	Key No.	Description	Part No.
1	Window	54575	23	Wingnut	14x86
2	Cover	54576	24	Tube, Extension	54564SE
3	Screw	4x24	25	Hex Nut	15x41
4	Locknut	15x66	26	Pin, Latch	54563
5	Tube, "U"	54410E701	27	Bolt, Carriage	2x39
6	Pin, Hair	31x6	29	Tube, Connector	94954
7	Pin, Hinge	54407Z	30	Screw	4x71
8	Tube, Center	54412E701	31	Hinge, Cover	54398E701
9	Bolt, Special	6x93Z	32	Washer	10851 Z
10	Lockwasher	18x15	33	Bolt, Hex	1x125
11	Nut, Hex	15x32	36	Fastener, Plastic *	193x1
12	Channel Assembly	54422E701	37	Containers (Quantity 2)	54727SE
13	Pin, Channel	54408Z	41	Bolt, Carriage	2x64
14	Bolt, Hex	1x84	42	Handle, Plastic	54537
15	Mount Assembly, Bagger	94690E701	43	Screw	4x21
16	Nut, Hex	15x108	44	Nut, Hex	15x81
17	Cap, End	24862	45	Weight, Front	690370E701
18	Elbow	91944	46	Bolt, Hex	1x106
19	Screw	26x239	47	Washer	17x38
20	Handle, Connector Tube	54416E701	48	Blade, 97cm (38-inch)	91742E701
21	Locknut, Flange	15x89		Blade, 101cm (40-inch)	91871E701
				Blade, 106cm (42-inch)	95101E701
22	Latch, Rubber	54695	—	Book, Instruction	F-99900

* Included with Key No. 37.
F-99900