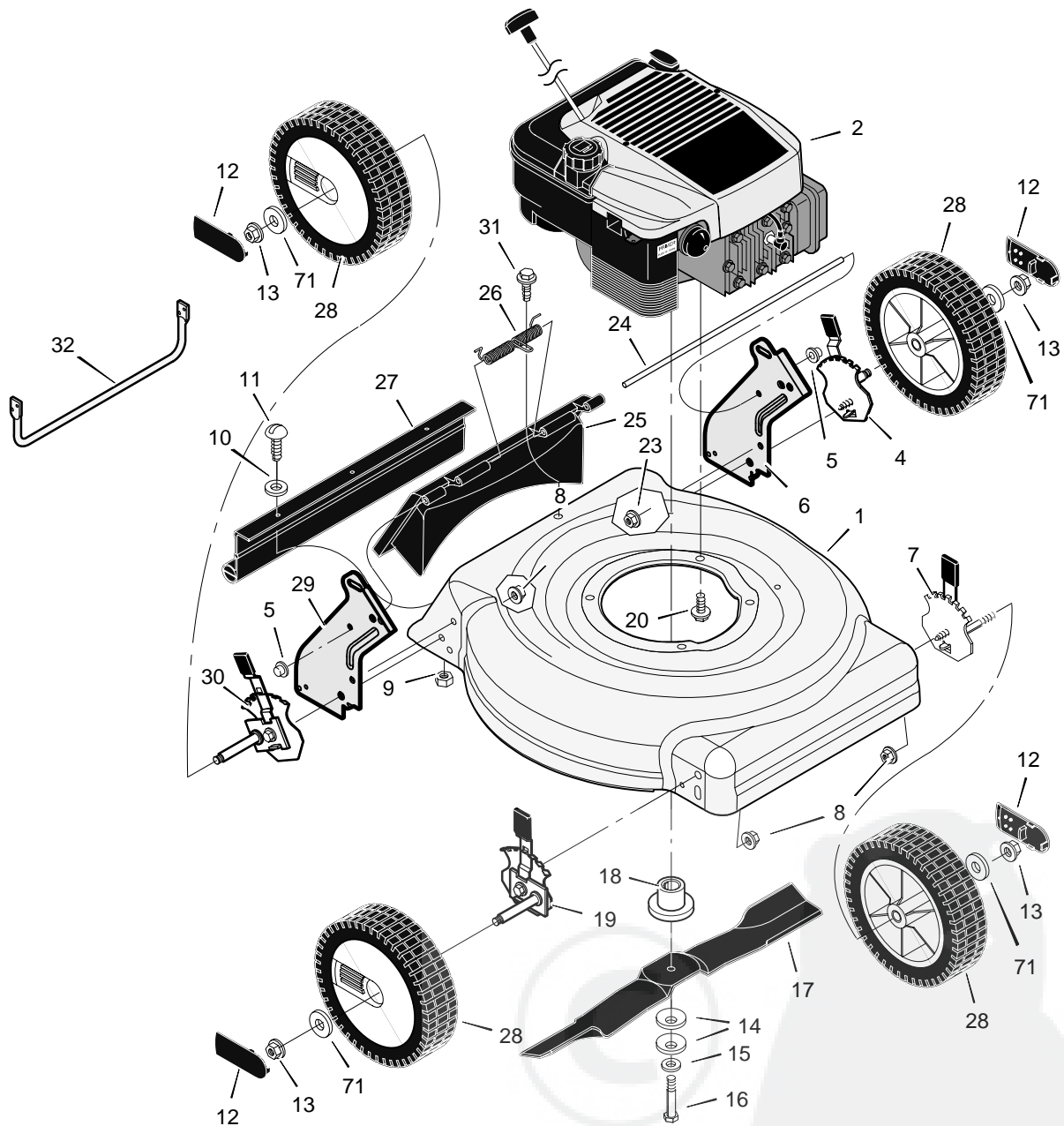


# MODEL 20415x50A

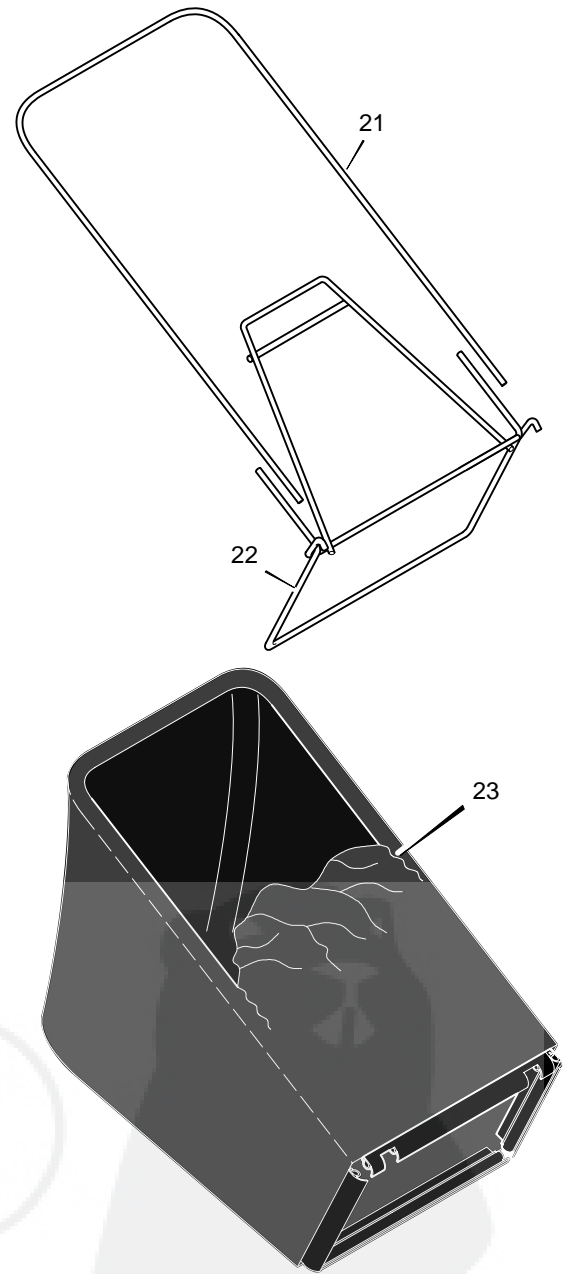
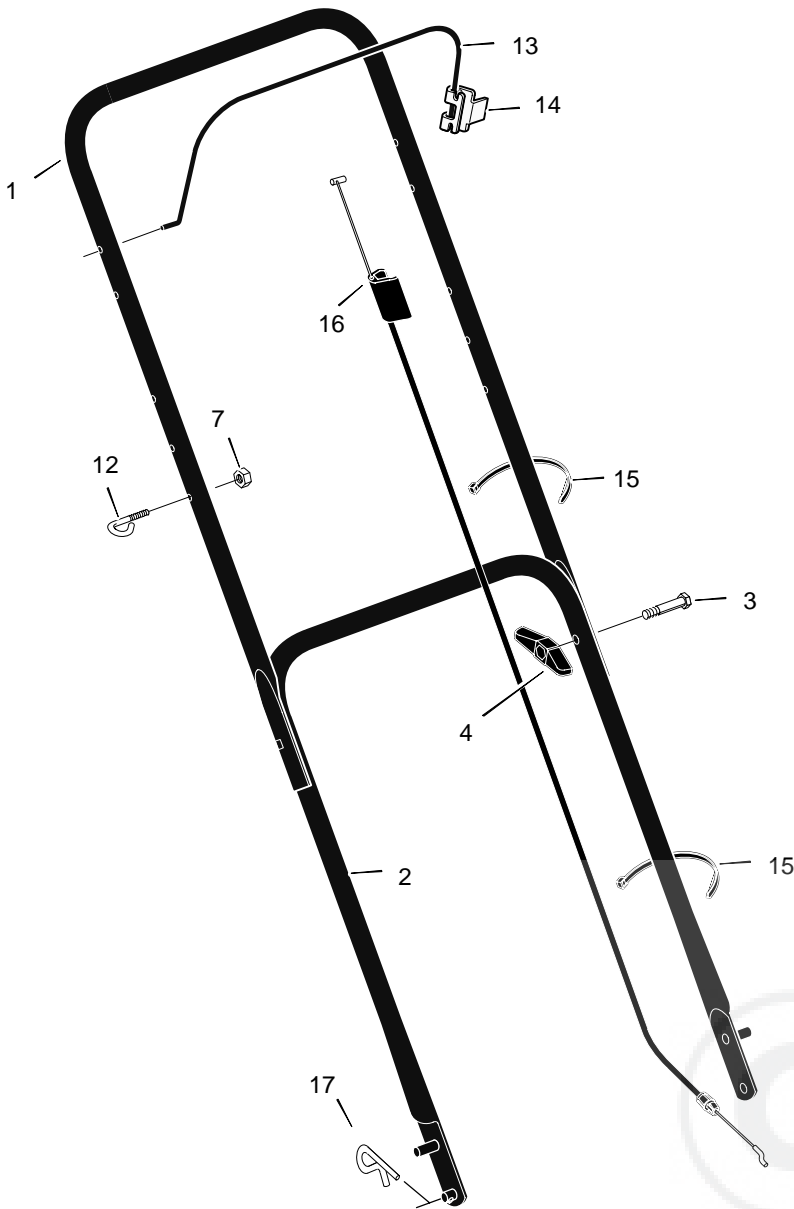
# REPAIR PARTS



1	Housing	776150	13	Nut, Flange	15x84	25	Door, Rear	672613
2	Engine *	*	14	Washer, Belleville	17x137	26	Spring	166x44
4	Adjuster, Left Rear Height	672605	15	Washer	17x124	27	Guard, Rear	671970
5	Push On Cap	28x49	16	Bolt	1x153	28	Wheel	43618
6	Bracket, Left Handle	672889E700	17	Blade	672763E701	29	Bracket, Right Handle	672888E700
7	Adjuster, Left Front Height	672601	18	Adapter, Blade	672503	30	Adjuster, Right Rear Height	672604
8	Nut, Flange	15x68	19	Adjuster, Right Front Height	672600	31	Screw	26x245
9	Nut, Hex	15x102	20	Bolt, Engine	25x6	32	Guard, Rear	671990
10	Washer	17x38	23	Nut, Flange	15x88	71	Washer	17x91 Z
11	Screw	4x21	24	Rod, Pivot	215x17 Z	--	Instruction Book	F-000429L
12	Hub Cap - Optional	43615						

# MODEL 20415x50A

# REPAIR PARTS



1	Handle, Upper (Gray)	671918E724	12	Guide, Rope	71530	17	Pin, Hair	31x10
2	Handle, Lower (Gray)	1101010E724	13	Engine Stop Lever	671924E700	21	Frame, Top	71592
3	Bolt	2x77	14	Bracket, Stop Lever	43628 BC	22	Frame Assembly	672614
4	Knob, Plastic	71294	15	Fastener, Cable	71372	23	Bag, Cloth	672110
7	Locknut	15x116	16	Engine Stop Cable	672832	--	Complete Service Bagger Kit	24201