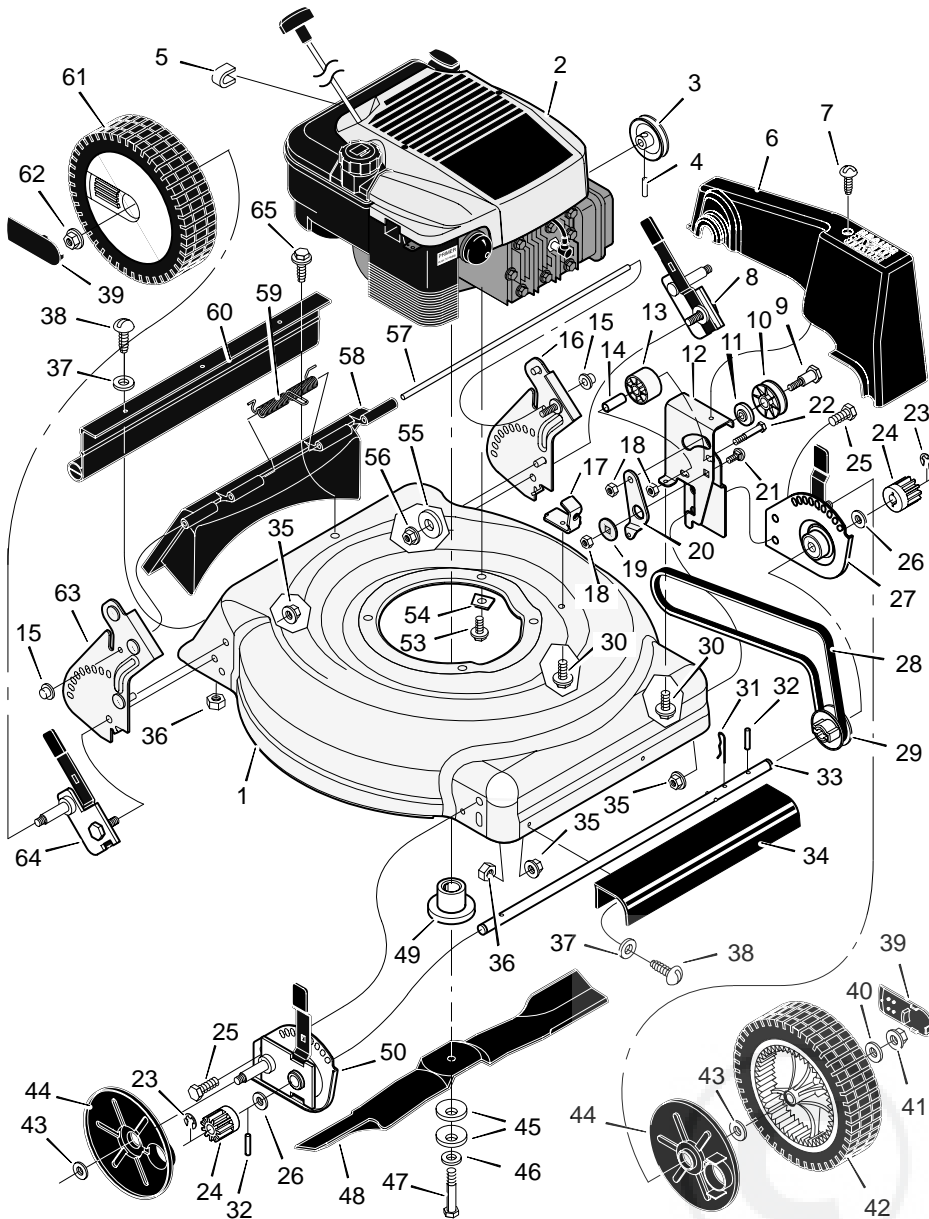


# MODEL 20605x50A

# REPAIR PARTS



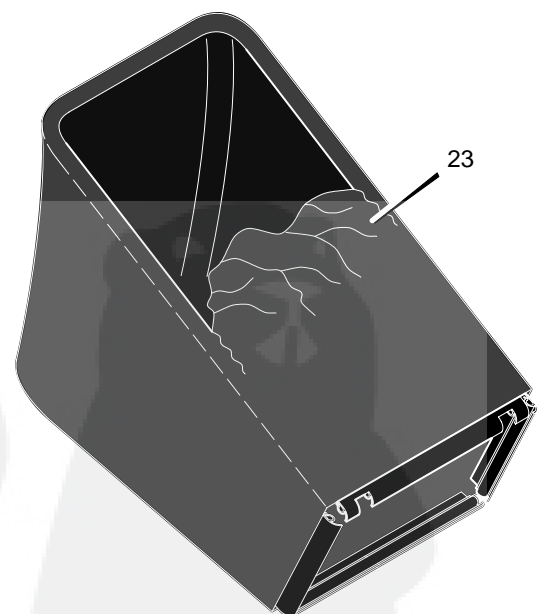
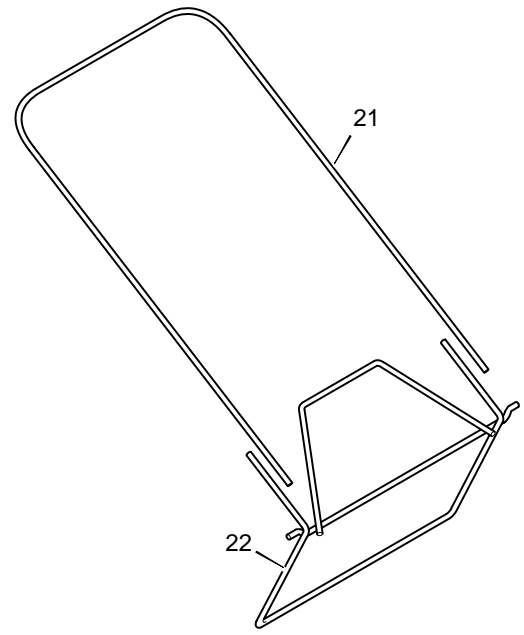
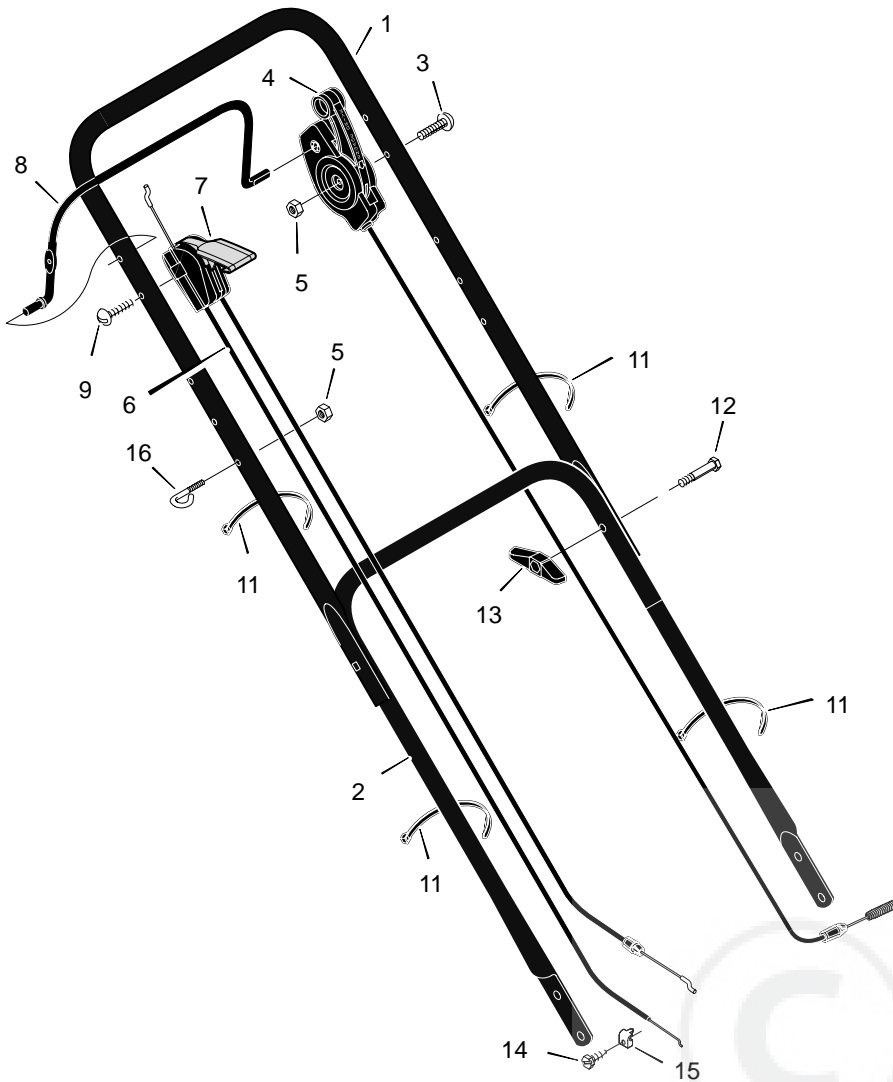
|    |                              |            |
|----|------------------------------|------------|
| 25 | Bolt                         | 1x85       |
| 26 | Washer                       | 17x186     |
| 27 | Adjuster, Left Front Height  | 671938     |
| 28 | Belt                         | 37x91      |
| 29 | Pulley, Axle                 | 71791      |
| 30 | Screw                        | 26x263     |
| 31 | Pin, Hair                    | 31x9       |
| 32 | Pin, Spring                  | 43629      |
| 33 | Axle                         | 671931     |
| 34 | Cover, Axle (Gray)           | 672108     |
| 35 | Nut, Flange                  | 15x68      |
| 36 | Nut, Hex                     | 15x102     |
| 37 | Washer                       | 17x38      |
| 38 | Screw                        | 4x21       |
| 39 | Hub Cap - Optional           | 672122     |
| 40 | Washer                       | 17x169     |
| 41 | Nut, Flange                  | 15x84      |
| 42 | Wheel, Drive (Dark Gray)     | 71133      |
| 43 | Washer                       | 17x120     |
| 44 | Cover, Dust                  | 71780      |
| 45 | Washer, Belleville           | 17x137     |
| 46 | Washer                       | 17x124     |
| 47 | Bolt                         | 17x142     |
| 48 | Blade                        | 671921E701 |
| 49 | Adapter, Blade               | 71056      |
| 50 | Adjuster, Right Front Height | 671939     |
| 53 | Bolt, Engine                 | 25x6       |
| 54 | Support, Engine              | 671989     |
| 55 | Washer                       | 17x146     |
| 56 | Nut, Flange                  | 15x79      |
| 57 | Rod, Pivot                   | 215x17 Z   |
| 58 | Door, Rear (Gray)            | 672107     |
| 59 | Spring                       | 166x44     |
| 60 | Guard, Rear                  | 671970     |
| 61 | Wheel, Rear (Dark Gray)      | 71132      |
| 62 | Nut, Flange                  | 15x81      |
| 63 | Bracket, Right Handle        | 671944     |
| 64 | Adjuster, Right Height       | 671974     |
| 65 | Screw                        | 26x259     |
| -- | Instruction Book             | F-97453    |

|    |                           |          |
|----|---------------------------|----------|
| 1  | Housing                   | 776003   |
| 2  | Engine                    | ----     |
| 3  | Pulley, Engine            | 71434    |
| 4  | Pin, Spring               | 32x64    |
| 5  | Stop, Rope (Recoil-Start) | 42189    |
| 6  | Cover, Belt (Gray)        | 672109   |
| 7  | Screw                     | 26x279   |
| 8  | Adjuster, Left Height     | 671975   |
| 9  | Bolt, Shoulder            | 9x50     |
| 10 | Pulley                    | 71779    |
| 11 | Spacer                    | 71788    |
| 12 | Bracket, Idler Support    | 671935 Z |

|    |                      |        |
|----|----------------------|--------|
| 13 | Pulley, Idler        | 71778  |
| 14 | Bearing              | 71793  |
| 15 | Push On Cap          | 28x42  |
| 16 | Bracket, Left Handle | 671943 |
| 17 | Bracket, Cable       | 671934 |
| 18 | Nut, Hex             | 15x43  |
| 19 | Spacer               | 71789  |
| 20 | Arm, Idler           | 671936 |
| 21 | Bolt, Carriage       | 2x53   |
| 22 | Bolt, Shoulder       | 1x81   |
| 23 | E-Ring               | 11x16  |
| 24 | Gear, Pinion         | 71792  |

# MODEL 20605x50A

# REPAIR PARTS



|   |                      |            |    |                   |            |    |                |        |
|---|----------------------|------------|----|-------------------|------------|----|----------------|--------|
| 1 | Handle, Upper (Gray) | 671918E724 | 8  | Engine Stop Lever | 671922E245 | 16 | Guide, Rope    | 43956  |
| 2 | Handle, Lower (Gray) | 671917E724 | 9  | Screw             | 3x144      | 21 | Frame, Top     | 71592  |
| 3 | Bolt                 | 3x144      | 11 | Fastener, Cable   | 71372      | 22 | Frame Assembly | 672068 |
| 4 | Control, Drive       | 672067     | 12 | Bolt              | 2x77       | 23 | Bag, Cloth     | 672110 |
| 5 | Locknut              | 15x116     | 13 | Knob              | 71294      |    |                |        |
| 6 | Cable, Stop          | 672130     | 14 | Screw             | 26x268     |    |                |        |
| 7 | Throttle Control     | 672144     | 15 | Clamp             | 42294      |    |                |        |