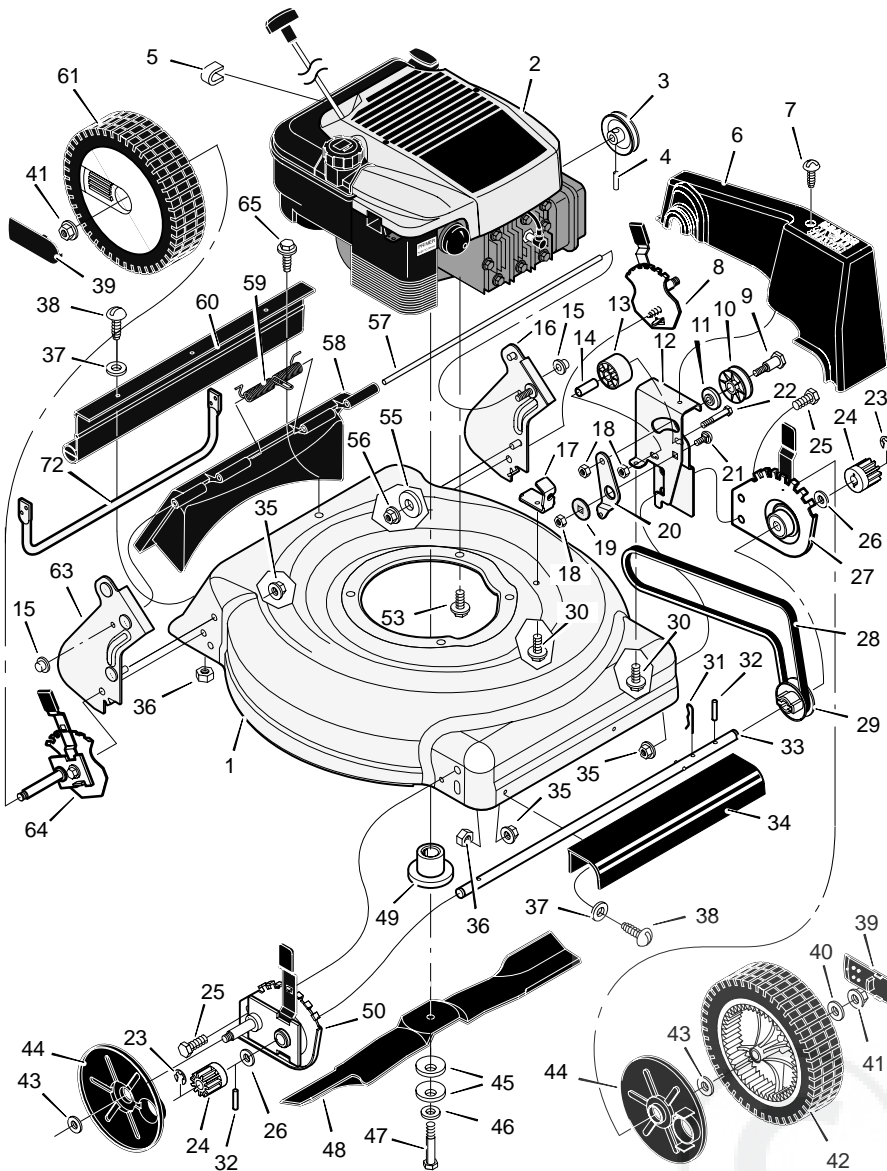


MODEL 20605x51D

REPAIR PARTS

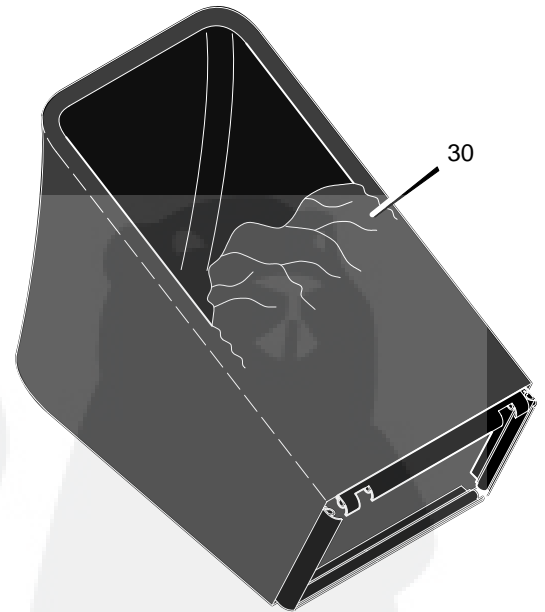
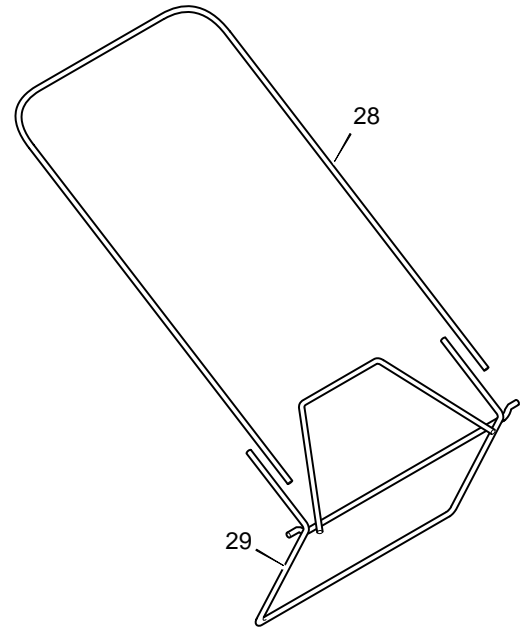
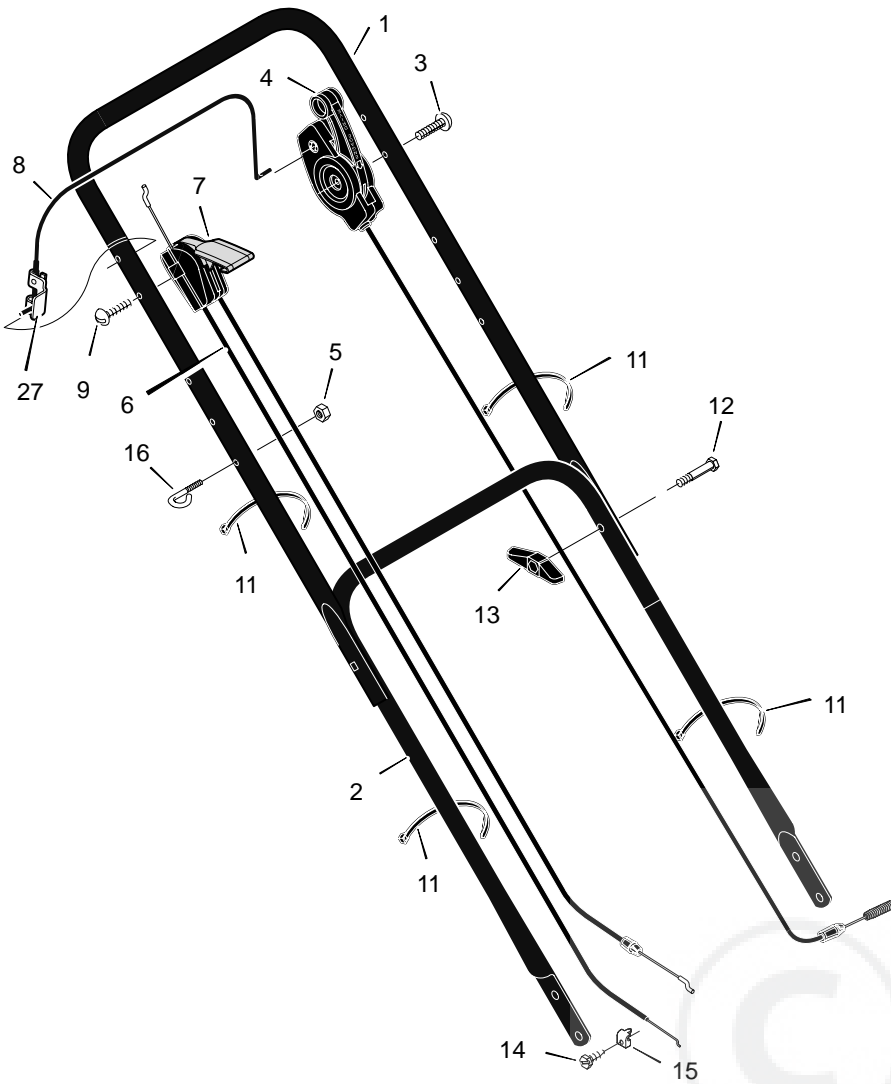


28	Belt	37x99
29	Pulley, Axle	71791
30	Screw	26x263
31	Pin, Hair	31x9
32	Pin, Spring	43629
33	Axle	671931
34	Cover, Axle (Black)	671948
35	Nut, Flange	15x68
36	Nut, Hex	15x102
37	Washer	17x38
38	Screw	4x21
39	Cap, Hub	43615
40	Washer	17x169
41	Nut, Flange	15x84
42	Wheel, Drive	43617
43	Washer	17x120
44	Cover, Dust	71780
45	Washer, Belleville	17x137
46	Washer	17x124
47	Bolt	1x153
48	Blade	672763E701
49	Adapter, Blade	672503
50	Adjuster, Right Frt. Height	672602
53	Bolt, Engine	25x6
55	Washer	17x146
56	Nut, Flange	15x88
57	Rod, Pivot	215x17 Z
58	Door, Rear (Black)	672611
59	Spring	166x44
60	Deflector, Rear	671970
61	Wheel, Rear	43618
63	Bracket, Right Handle	672590E700
64	Adjuster, Right Height	672604
65	Screw	26x245
72	Guard, Rear	671990
--	Instruction Book	F-99434

1	Housing		15	Nut, Push	28x49
2	Engine *	*	16	Bracket, Left Handle	672591E700
3	Pulley, Engine	71434	17	Bracket, Cable	671934
4	Pin, Spring	32x64	18	Nut, Hex	15x43
6	Cover, Belt	671928	19	Spacer	71789
7	Screw	26x279	20	Arm, Idler	671936
8	Adjuster, Left Height	672605	21	Bolt, Carriage	2x53
9	Bolt, Shoulder	9x50	22	Bolt, Shoulder	1x81
10	Pulley	71779	23	E-Ring	11x16
11	Spacer	71788	24	Gear, Pinion	71792
12	Bracket, Idler Support	672772 Z	25	Bolt	1x85
13	Pulley, Idler	71778	26	Washer	17x186
14	Bearing	71793	27	Adjuster, Left Frt. Height	672603

MODEL 20605x51D

REPAIR PARTS



1	Handle, Upper (Black)	672665E701	8	Engine Stop Lever	672570E701	16	Guide, Rope	43956
2	Handle, Lower (Black)	671917E701	9	Screw	25x14	27	Bracket, Stop Lever	43628 BC
3	Bolt	26x286	11	Fastener, Cable	71372	28	Frame, Top	71592
4	Control, Drive	672580	12	Bolt	2x77	29	Frame Assembly	672614
5	Locknut	15x116	13	Knob	71294	30	Bag, Cloth	672069
6	Cable, Stop	672663	14	Screw	26x268			
7	Throttle Control	672144	15	Clamp	42294			