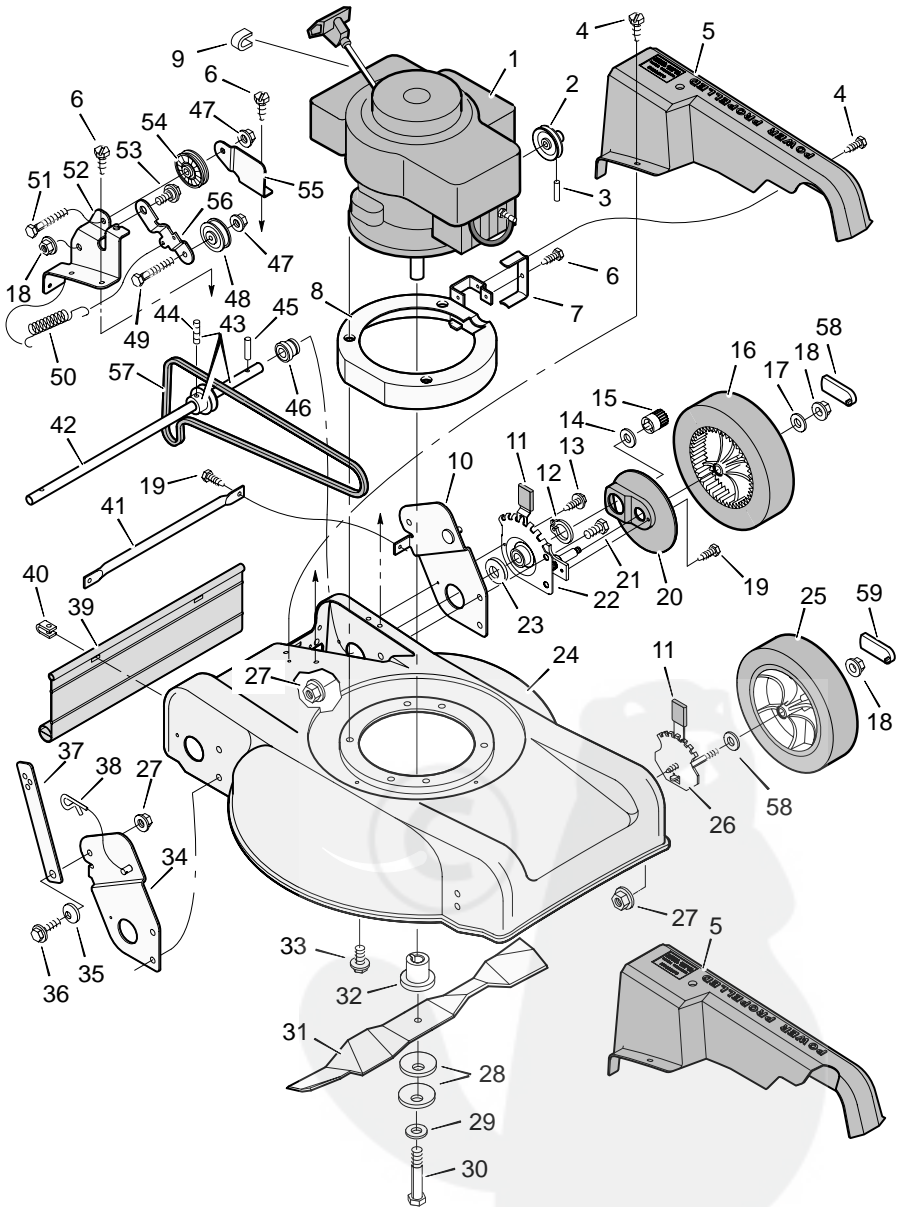


MODEL 20905x19C



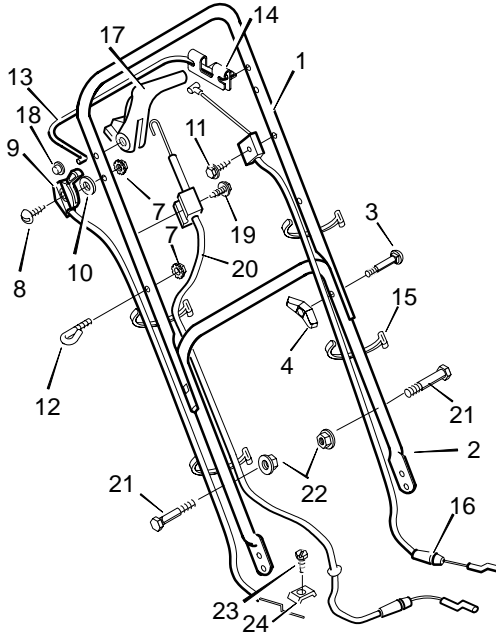
MODEL 20905x19C

KEY NO.	DESCRIPTION	PART NO.	KEY NO.	DESCRIPTION	PART NO.
1	Engine ‡		30	Bolt, Blade	1x144
2	Pulley, Engine	42493	31	Blade	71548E701
3	Pin, Spring	32x64	32	Adapter, Blade	71353
4	Screw	26x245	33	Bolt, Engine	25x8
5	Belt Guard	71330	34	Handle Bracket, Right	71341E701
6	Screw	26x214	35	Washer	20x3
7	Guide, Belt	71347Z	36	Bolt, Shoulder	9x29
8	Plate, Spacer	71335E701	37	Support, Handle	71344
9	Stop, Rope	42198	38	Pin, Hair	31x10
10	Handle Bracket, Left	71342E701	39	Guard, Rear	71352
11	Grip	43394	40	Retainer	42743
12	Ring, Retaining	11x24	41	Brace, Rear	71343
13	Screw	26x185	42	Axle	71348
14	Washer	17x139	43	Axle, Pulley & Set Screw	71349
15	Gear, Right Pinion	43630	44	Setscrew	23x50
-	Gear, Left Pinion	43631	45	Pin, Drive	43629
16	Wheel, Drive	43617	46	Bearing Retainer	70250
17	Washer	17x169	47	Locknut, Flange	15x88
18	Nut	15x84	48	Pulley, Idler	71054
19	Screw	26x221	49	Bolt	1x141
20	Cover, Dust	71032	50	Spring	165x94
21	Bolt, Hex	1x85	51	Bolt	1x102
22	Height Adjuster, Right Rear	401023	52	Bracket, Idler	71336Z
	Height Adjuster, Left Rear	401022	53	Bolt, Shoulder	9x48
23	Washer	17x178	54	Pulley, Idler	71055
24	Housing	70141	55	Support, Idler	71338Z
25	Wheel, Front (Standard)	43618	56	Arm, Idler	71337Z
-	Wheel, Front (Ball Bearing)	43724	57	Belt	37x78
26	Height Adjuster, Front	401025	58	Washer	20x3
27	Nut, Hex	15x68	59	Hub Cap (Standard)	43615
28	Washer, Belleville	17x137	-	Hub Cap (Ball Bearing)	43847
29	Washer	17x124	-	Book, Instruction (English)	F-96529

‡ Parts are available from a Authorized Engine Service Center. See "Engines, Gasoline" or "Gasoline Engines" in the yellow pages of the telephone directory.

MODEL 20905x19C

Handle For Briggs Engine



KEY NO.	DESCRIPTION	PART NO.	KEY NO.	DESCRIPTION	PART NO.
1	Handle, Upper	71359E701	14	Bracket, Stop Lever	43628 BC
2	Handle, Lower	71345E701	15	Fastener, Cable	71372
3	Bolt	2x77	16	Cable, Engine Stop	43828
4	Knob	71294	17	Lever, Drive	43722
7	Locknut	15x116	18	Push On Cap	28x48
8	Screw	3x144	19	Screw	26x256
9	Throttle Control	71180	20	Cable, Drive	71036
10	Washer	17x188	21	Bolt	1x131
11	Screw	26x220	22	Nut	15x104
12	Guide, Rope	43956	23	Screw	26x268
13	Lever, Engine Stop	71360	24	Clamp	42294