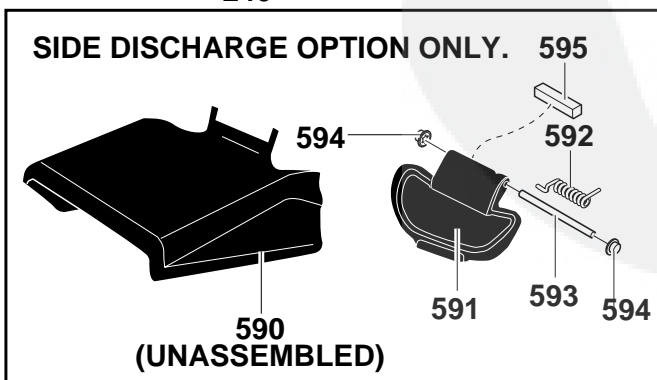
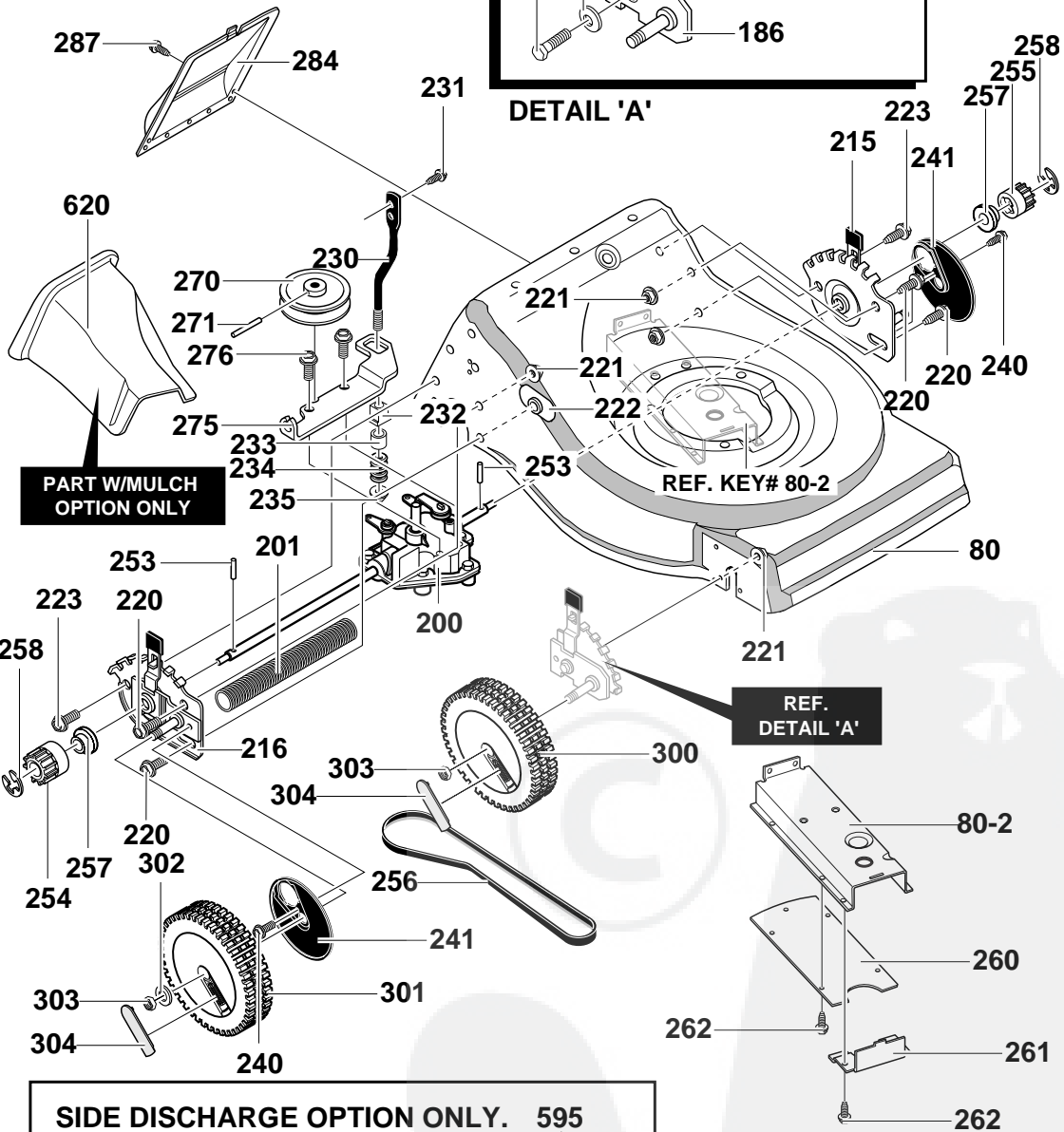
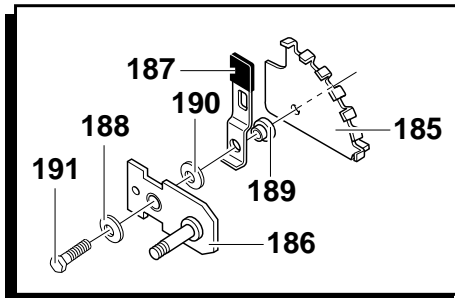


KEY#	PART#	DESCRIPTION
10	-	SEE ENGINE MANUAL
12	47792	SCREW, 3/8-16X1.00
14	785341	WOODRUFF KEY
50	71877	BLADE, 21
51	671058	ADAPTER, BLADE 21"
53	710210	WASHER .39IDX2.25ODX.12 BELLVIL
54	710207	WASHER, FLAT.406X.812X.06
55	710163	SCREW, 3/8-24X1.50 HHC
80-20	672266	BRACKET, HANDLE RH
80-30	672267	BRACKET, HANDLE LH
80-35	710277	SCREW, 5/16-18X.63
80-36	710204	NUT, 5/16-18 HEXWDFLLK WHIZ
80-40		NOT USED ON THIS UNIT
600	43640	DEFLECTOR, REAR
601	710271	SCREW, 10-16X.50
610	71833	DOOR, REAR
611	672049	SPACER, RR DOOR
612	710273	SCREW, 10-16X.50
613	672282	ROD, PIVOT RR DOOR
614	710285	CAP, PUSH ON
615	340823	SPRING, TORSION

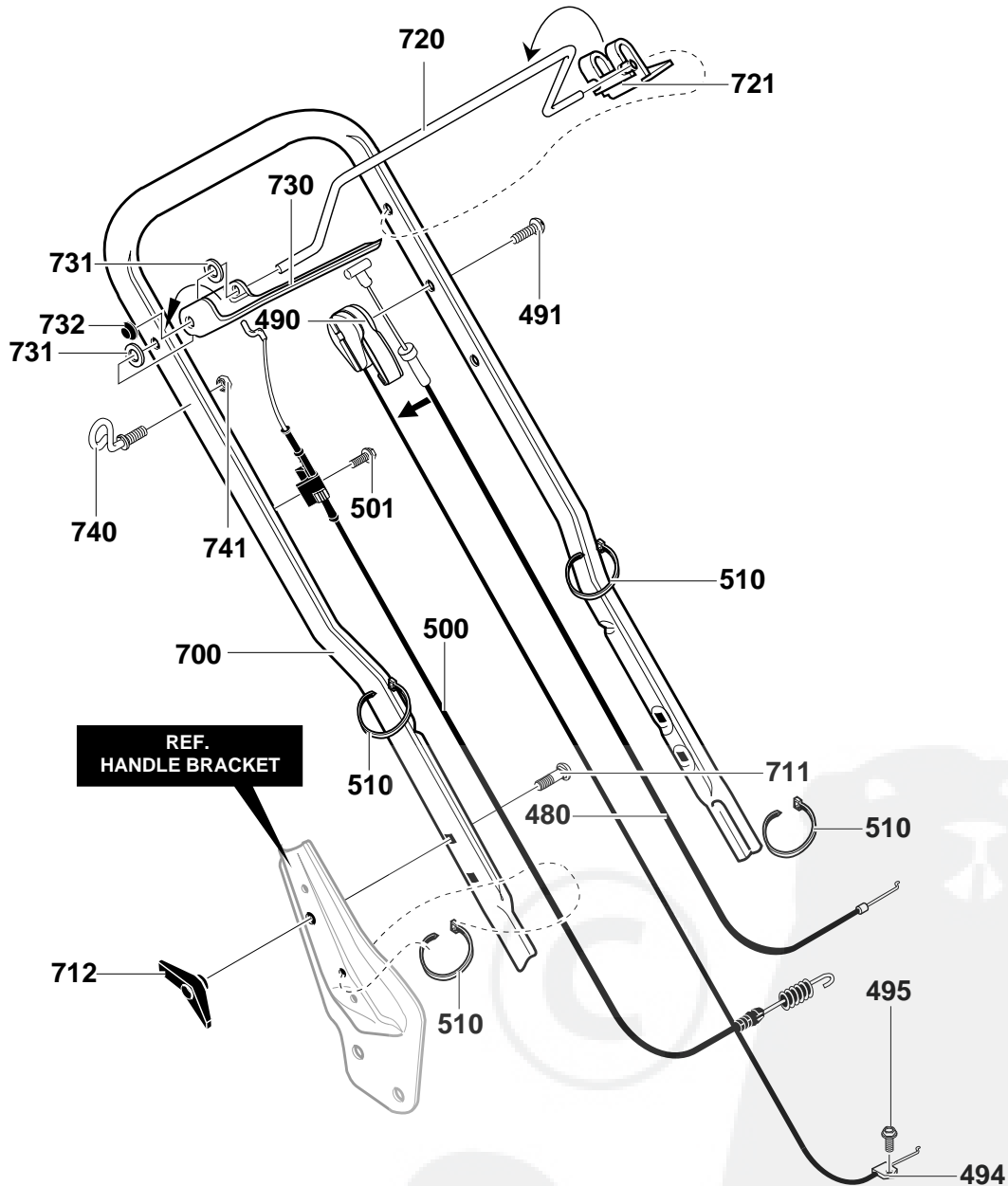
NOTE
KEY# 80-2 IS WELDED TO UNDER SIDE OF FRAME.



KEY#	PART#	DESCRIPTION
80	672275-860	ASSY, FRAME
80-2	71238	GUARD, BELT
185	672765	INDEX PLATE
186	671142	ASSY, AXLE & BRACKET
187	671444	LEVER, HEIGHT ADJ W/GRIP
188	446363	WASHER, FLAT .375X.88X.082
189	643387	SPACER, PIVOT .385IDX1.00D
190	710258	WASHER, SPRING .50X1.0X.021
191	180124	SCREW, 3/8-16X1.25
200	672042	TRANSMISSION
201	643649	SHIELD, AXLE
215	71577	ASSY, HEIGHT ADJ LR
216	71578	ASSY, HEIGHT ADJ RR
220	710167	SCREW, 3/8-16X.75
221	45171	NUT, 3/8-16 HWDFL WHIZ-LOCK
222	710326	NUT, WELD 3/8-16 .625X1.5
223	710273	SCREW, 10-16X.50 WAHHSEMSAB
230	71481	SUPPORT, SPRING
231	710274	SCREW, 1/4-20 X.63 HHWATAP
232	71480	BUSHING, SPRING SUPT.
233	43844	SPACER, .508X.712X.563
234	710327	SPRING, COMPRESSION
235	710205	NUT, 5/16-18 WDFLLK 15X88
240	710270	SCREW, 1/4-14X.50 HWATAP
241	671032	DUSTCOVER 8" WHEEL
253	643629	PIN, DRIVE
254	671904	GEAR, PINION RIGHT
255	671903	GEAR, PINION LEFT
256	710190	BELT, 2L V 15.75L
257	710254	WASHER, FLAT .502 X .99 .031
258	20864	RING, RET E
260	43770-860	COVER, LOWER BELT GUARD
261	71239-860	COVER, FRONT BELT
262	710273	SCREW, 10-16X.50
270	672269	PULLEY
271	710294	PIN, SPRING
275	671925	BRACKET, TRANSMISSION CABLE
276	710264	SCREW, 1/4-20X .50
284	71246-860	COVER, REAR TRANSMISSION
287	711863	SCREW, 1/4-20X.63
300	671132	TIRE & RIM, 8X2
301	671133	WHEEL, DRIVE 8"X2
302	710252	WASHER, FLAT
303	710140	NUT, 3/8-16HWDFLLK MACK
304	672122	HUBCAP, 8" BAR WHEEL
310	672122	HUBCAP, 8" BAR WHEEL
591	-	OPTION NOT USED ON THIS UNIT
592	-	OPTION NOT USED ON THIS UNIT
593	-	OPTION NOT USED ON THIS UNIT
594	-	OPTION NOT USED ON THIS UNIT
595	-	OPTION NOT USED ON THIS UNIT
620	-	OPTION NOT USED ON THIS UNIT

NOTE

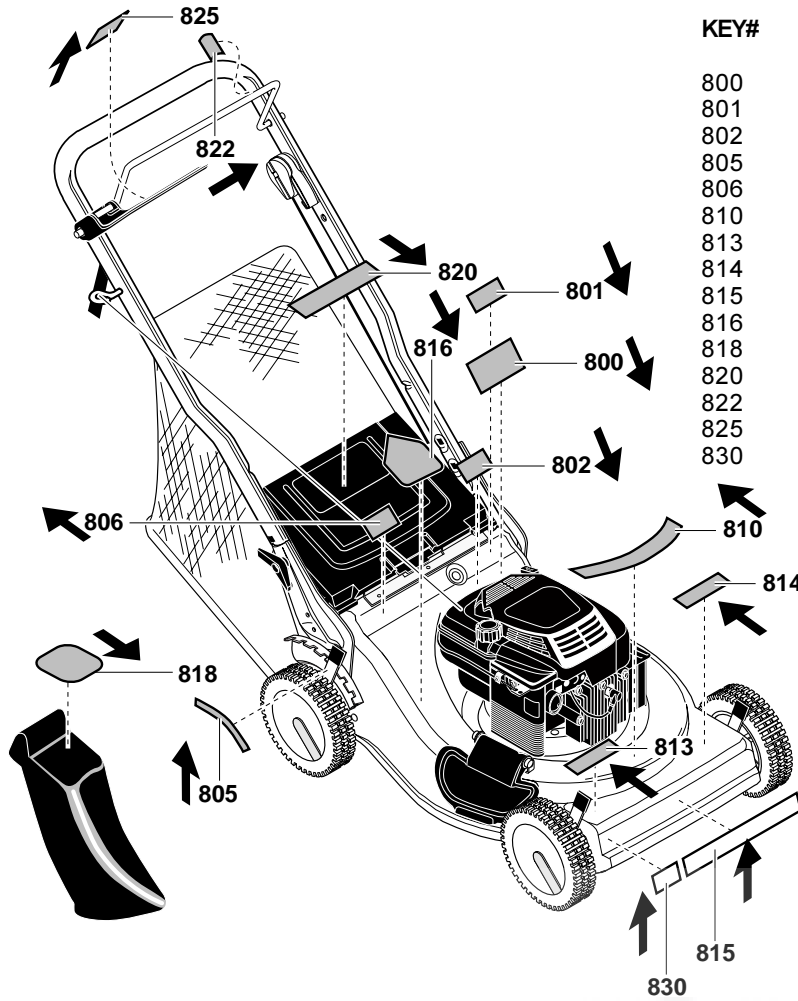
KEY# 480 & 490 SNAP TOGETHER



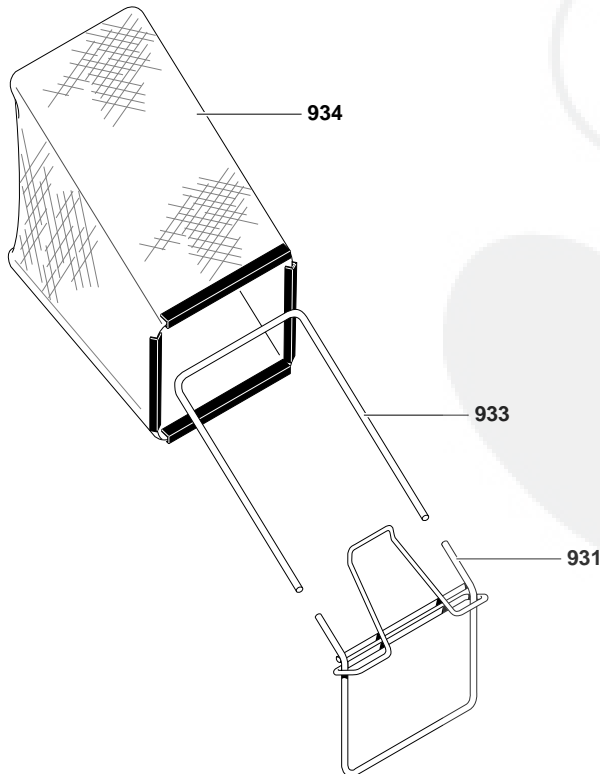
KEY#	PART#	DESCRIPTION
480	672529	CABLE STOP
490	672537	T-CABLE
491	710178	SCREW, 1/4-20X2.00 RDHDM
494	12425	CLAMP, THROTTLE
495	710275	SCREW, 10-32X.62 SLWAHTAP
500	672545	CABLE, DRIVE
501	710269	SCREW, #10-16X.75
510	712267	TIE, BLACK CABLE
700	672286-806	HANDLE, 21"
711	710175	BOLT, 5/16-18X2.00
712	671294	KNOB, WING 5/16-18
720	672429-860	LEVER, STOP ENGINE WIRE
721	643628	BRACKET, STOP LEVER
730	671566	LEVER, DRIVE CONTROL
731	710491	WASHER, NYLON
732	710285	CAP, PUSH ON
740	672510	GUIDE, ROPE
741	710203	NUT, 1/4-20

MODEL 21815X50A

REPAIR PARTS



KEY#	PART#	DESCRIPTION
800	-	NOT A SERVICEABLE PART
801	-	NOT USED ON THIS UNIT
802	318010	DECAL, TUV
805	-	NOT USED ON THIS UNIT
806	-	NOT USED ON THIS UNIT
810	710448	DECAL, "SENTINEL"
813	710449	DECAL, "MOW/BAG-53"
814	710356	DECAL, "POWER-PROPELLED"
815	-	NOT USED ON THIS UNIT
816	402701	DECAL, CAUTION DECK RH
818	-	NOT USED ON THIS UNIT
820	710764	DECAL, CAUTION EXPORT
822	339481	DECAL, STOP LEVER
825	336279	DECAL, DRIVE LEVER
830	-	NOT USED ON THIS UNIT



KEY#	PART#	DESCRIPTION
931	672293	ASSY, BAG FRAME
933	71592	FRAME, CATCHER BAG TOP
934	672574	BAG, SENTINEL

343646A

326165B