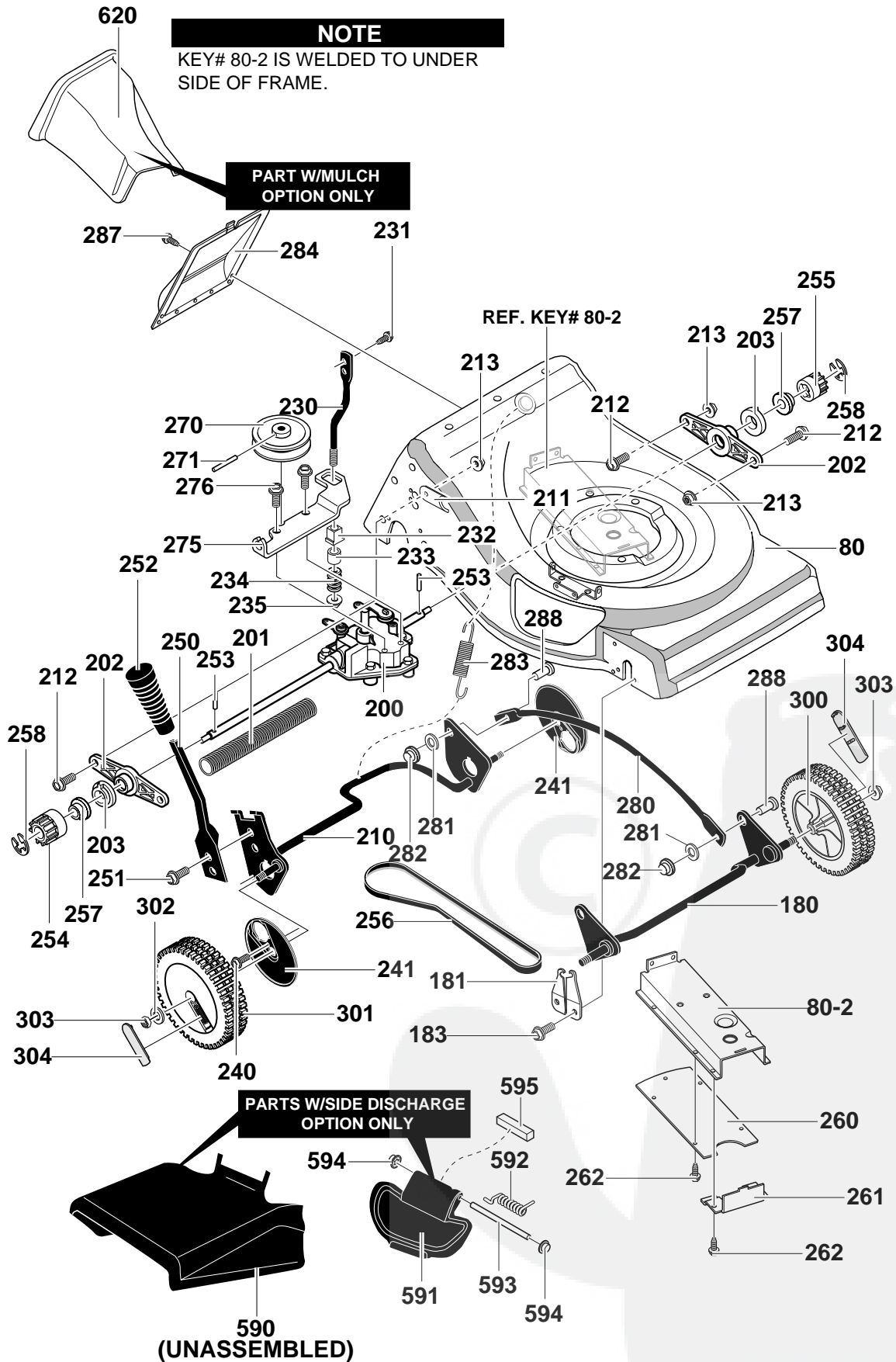


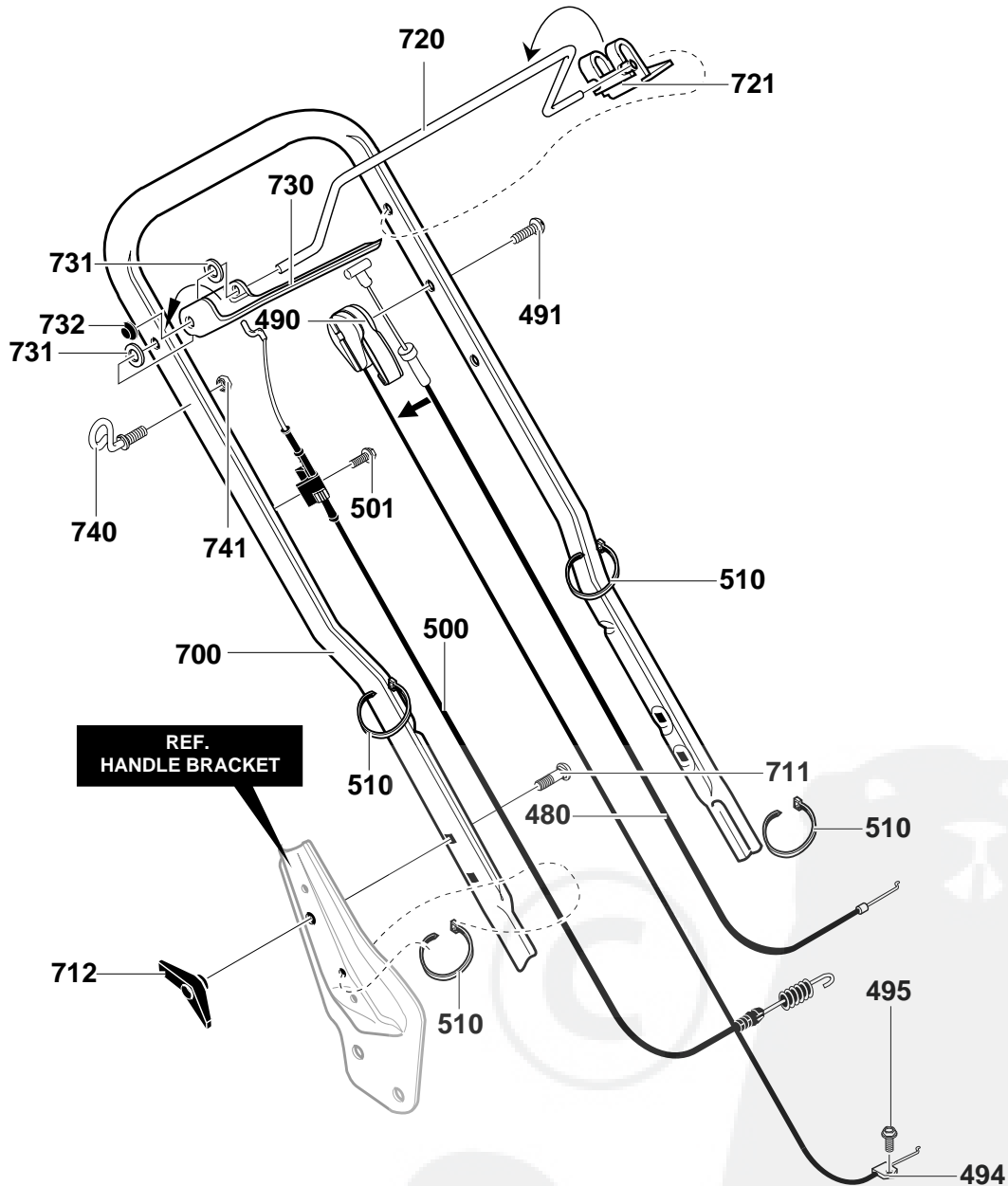
KEY#	PART#	DESCRIPTION
10	-	SEE ENGINE MANUAL
12	47792	SCREW, 3/8-16X1.00
14	2125	WOODRUFF KEY
50	71877	BLADE, 21"
51	671058	ADAPTER, BLADE 21"
53	710210	WASHER, .39IDX2.25ODX.12 BELLVIL
54	710207	WASHER, FLAT.406X.812X.06
55	710163	SCREW, 3/8-24X1.50 HHC
80-20	672266	BRACKET, HANDLE RH
80-30	672267	BRACKET, HANDLE LH
80-35	710277	SCREW, 5/16-18X.63
80-36	710204	NUT, 5/16-18 HEXWDFLLK WHIZ
80-40	672276	QUADRANT, HEIGHT ADJ
600	43640	DEFLECTOR, REAR
601	710271	SCREW, 10-16X.50
610	71833	DOOR, REAR 21"
611	672049	SPACER, RR DOOR
612	710273	SCREW, 10-16X.50
613	672282	ROD, PIVOT RR DOOR
614	710285	CAP, PUSH ON
615	340823	SPRING, TORSION
	711801	OPERATOR'S MANUAL



Key#	Part#	Description
80	672274-860	ASSY, FRAME
80-2	71238	GUARD, BELT
180	71152-860	ASS'Y, CROSSBAR FRONT
181	672279	BUSHING, FRONT HOUSING
183	710270	SCREW, 1/4-14X.50
200	672042	TRANSMISSION
201	643649	SHIELD, AXLE
202	671411	SUPPORT, AXLE W/BEARING
203	643788	BEARING, LIFTER
210	672277-860	ASSY, CROSSBAR
211	71482	RETAINER, BEARING
212	180077	SCREW, 5/16-18X.75
213	710205	NUT, 5/16-18 WDFLLK
230	71481	SUPPORT, SPRING
231	710274	SCREW, 1/4-20X.63
232	71480	BUSHING, SPRING SUPPORT
233	43844	SPACER, 508X.712X.563
234	710327	SPRING, COMPRESSION
235	710205	NUT, 5/16-18 WDFLLK
240	710270	SCREW, 1/4-14X.50
241	643616	DUSTCOVER, 8" WHEEL
250	672278	LEVER, SPRING HGT ADJ
251	710274	SCREW, 1/4-20X .63
252	671297	KNOB, HGT/ADJ
253	643629	PIN, DRIVE
254	671904	GEAR, PINION RIGHT
255	671903	GEAR, PINION LEFT
256	710190	BELT, 2L V 15.75L
257	710254	WASHER, FLAT .502 X .99 .031
258	20864	RING, RET E
260	43770-860	COVER, LOWER BELT GUARD
261	71239-860	COVER, FRONT BELT
262	710273	SCREW, 10-16X.50
270	672269	PULLEY
271	710294	PIN, SPRING
275	671925	BRACKET, TRANSMISSION CABLE
276	710264	SCREW, 1/4-20X .50
280	43720-860	LINK, LIFTER
281	710272	NUT, PUSH ON
282	710285	CAP, PUSH ON
283	711459	SPRING, EXTENSION
284	71246-860	COVER, REAR TRANSMISSION
287	711863	SCREW, 1/4-20X.63
288	711542	PIN, CLEVIS
300	671132	TIRE & RIM, 8X2
301	671133	WHEEL, DRIVE 8"X2
302	710252	WASHER, FLAT
303	710140	NUT, 3/8-16HWDFLLK MACK
304	672122	HUBCAP, 8" WHEEL
591	-	OPTION NOT USED ON THIS UNIT
592	-	OPTION NOT USED ON THIS UNIT
593	-	OPTION NOT USED ON THIS UNIT
594	-	OPTION NOT USED ON THIS UNIT
595	-	OPTION NOT USED ON THIS UNIT
620	-	OPTION NOT USED ON THIS UNIT

**NOTE**

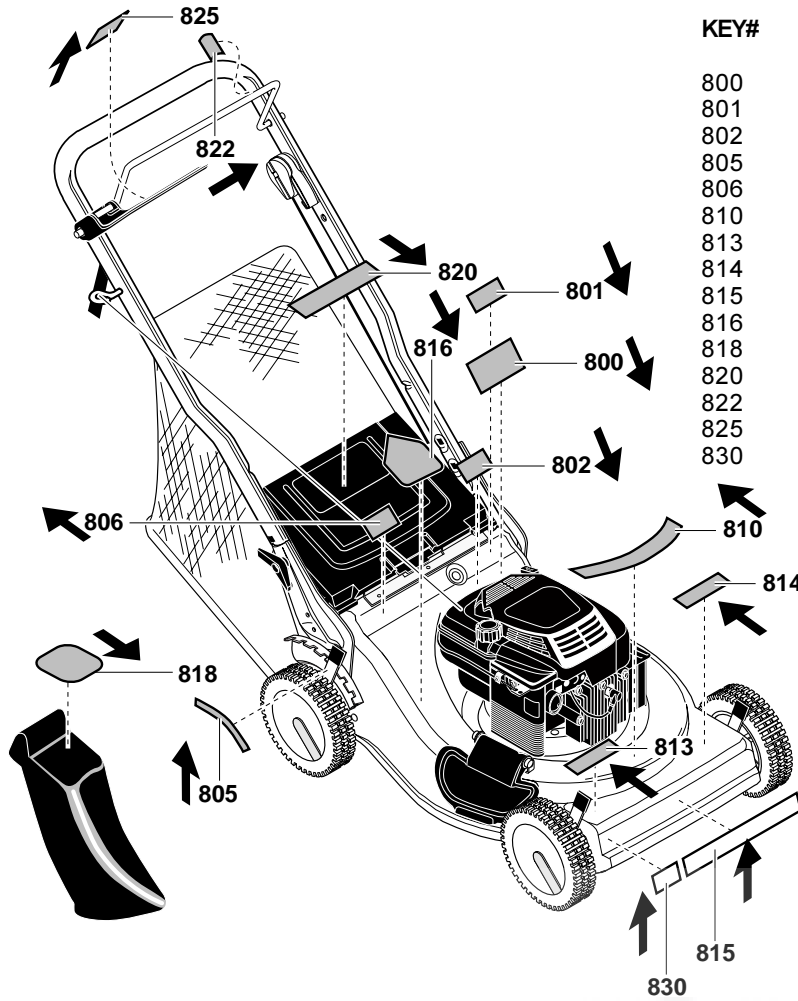
KEY# 480 & 490 SNAP TOGETHER



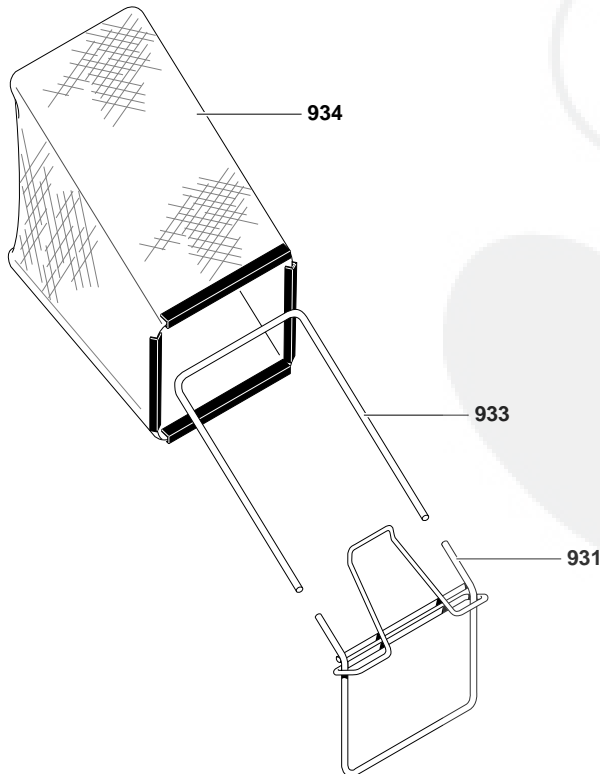
KEY#	PART#	DESCRIPTION
480	672530	CABLE, STOP
490	672539	T-CABLE
491	710178	SCREW, 1/4-20X2.00
494	12425	CLAMP, THROTTLE QUANTUM
495	710275	SCREW, 10-32X.62
500	672545	CABLE, DRIVE 21
501	710269	SCREW, #10-16 X1.25
510	712267	TIE, BLACK CABLE
700	672286-806	HANDLE, 21"
711	710175	BOLT, 5/16-18X2.00
712	671294	KNOB, WING 5/16-18
720	672429-860	LEVER, STOP ENGINE WIRE
721	643628	BRACKET, STOP LEVER
730	671566	LEVER, DRIVE CONTROL
731	710491	WASHER, NYLON .
732	710285	CAP, PUSH ON
740	672510	GUIDE, ROPE
741	710203	NUT, 1/4-20

# MODEL 21876X50A

# REPAIR PARTS



KEY#	PART#	DESCRIPTION
800	-	NOT A SERVICEABLE PART
801	-	NOT USED ON THIS UNIT
802	318010	DECAL,TUV
805	340820	DECAL,HEIGHT ADJ.
806	-	NOT USED ON THIS UNIT
810	710448	DECAL,"SENTINEL"
813	710449	DECAL,MOW/BAG
814	710356	DECAL,"POWER PROP"
815	-	NOT USED ON THIS UNIT
816	402701	DECAL, CAUTION DECK RH
818	-	NOT USED ON THIS UNIT
820	710764	DECAL, CAUTION EXPORT
822	339481	DECAL, STOP LEVER
825	336279	DECAL, DRIVE LEVER
830	-	NOT USED ON THIS UNIT



KEY#	PART#	DESCRIPTION
931	672293	ASSY, BAG FRAME
933	71592	FRAME, CATCHER BAG TOP
934	672574	BAG,CATCHER

343646A

326165 B