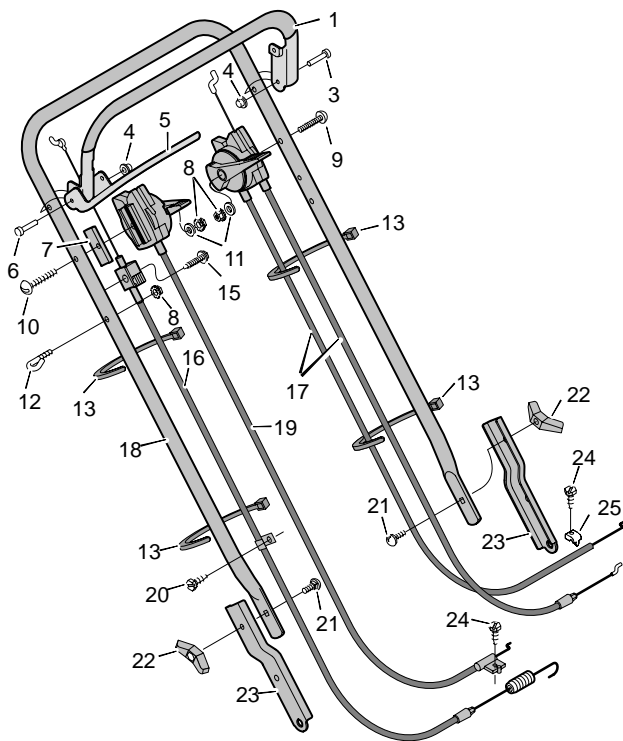
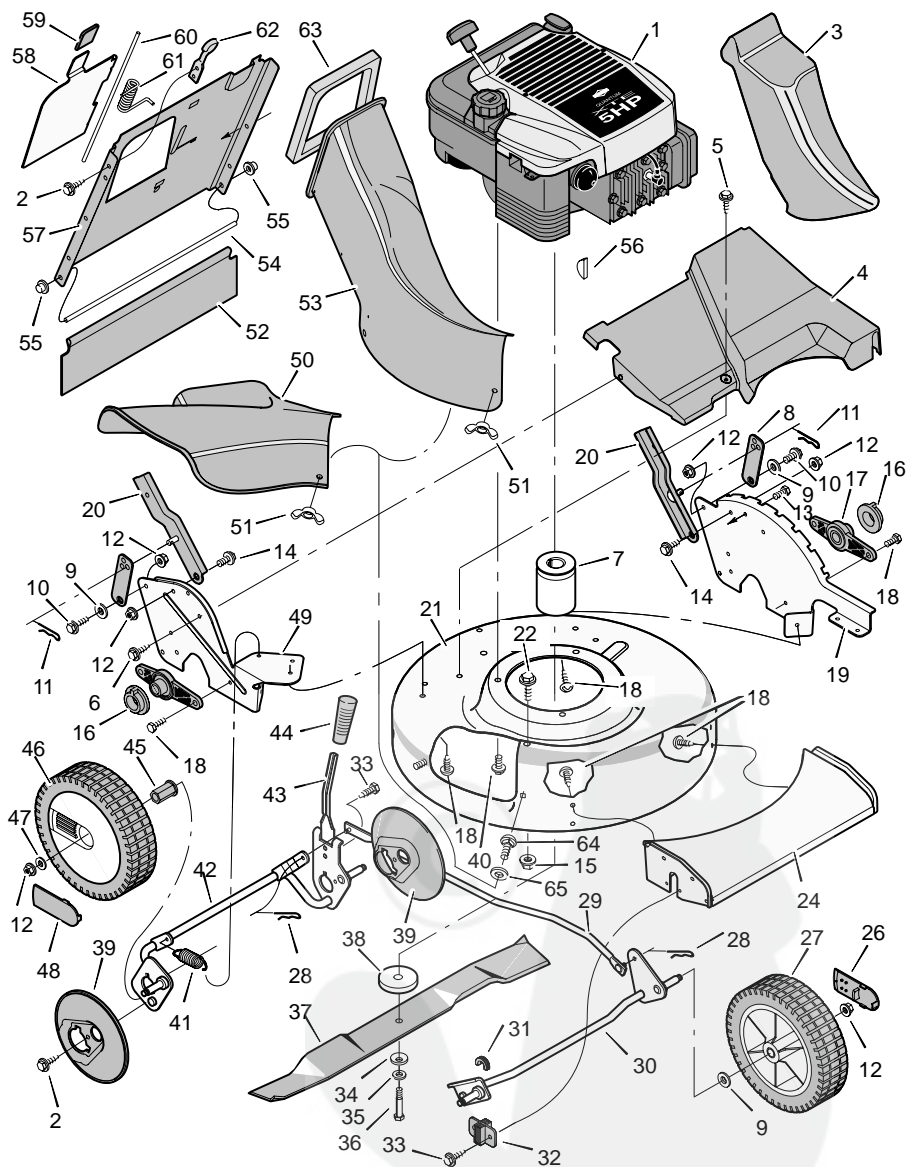


MODEL 22855x19E



KEY NO.	DESCRIPTION	PART NO.	KEY NO.	DESCRIPTION	PART NO.
1	Stop Lever	71567	15	Screw	26x256
3	Pin	29x102	16	Cable, Drive	71593
4	Push On Cap	28x42	17	Throttle and Stop Cable	71594
5	Lever, Drive	71566	18	Handle	71713E701
6	Pin	29x101	19	Control, Speed	71595
7	Spacer	71635	20	Screw	26x259
8	Locknut	15x116	21	Bolt, Carriage	2x81
9	Bolt	1x152	22	Knob	71495
10	Bolt	1x151	23	Bracket, Handle	71317E701
11	Washer	17x38Z	24	Screw	26x268
12	Guide, Rope	43956	25	Clamp	42294
13	Fastener, Cable	71372			

MODEL 22855x19E

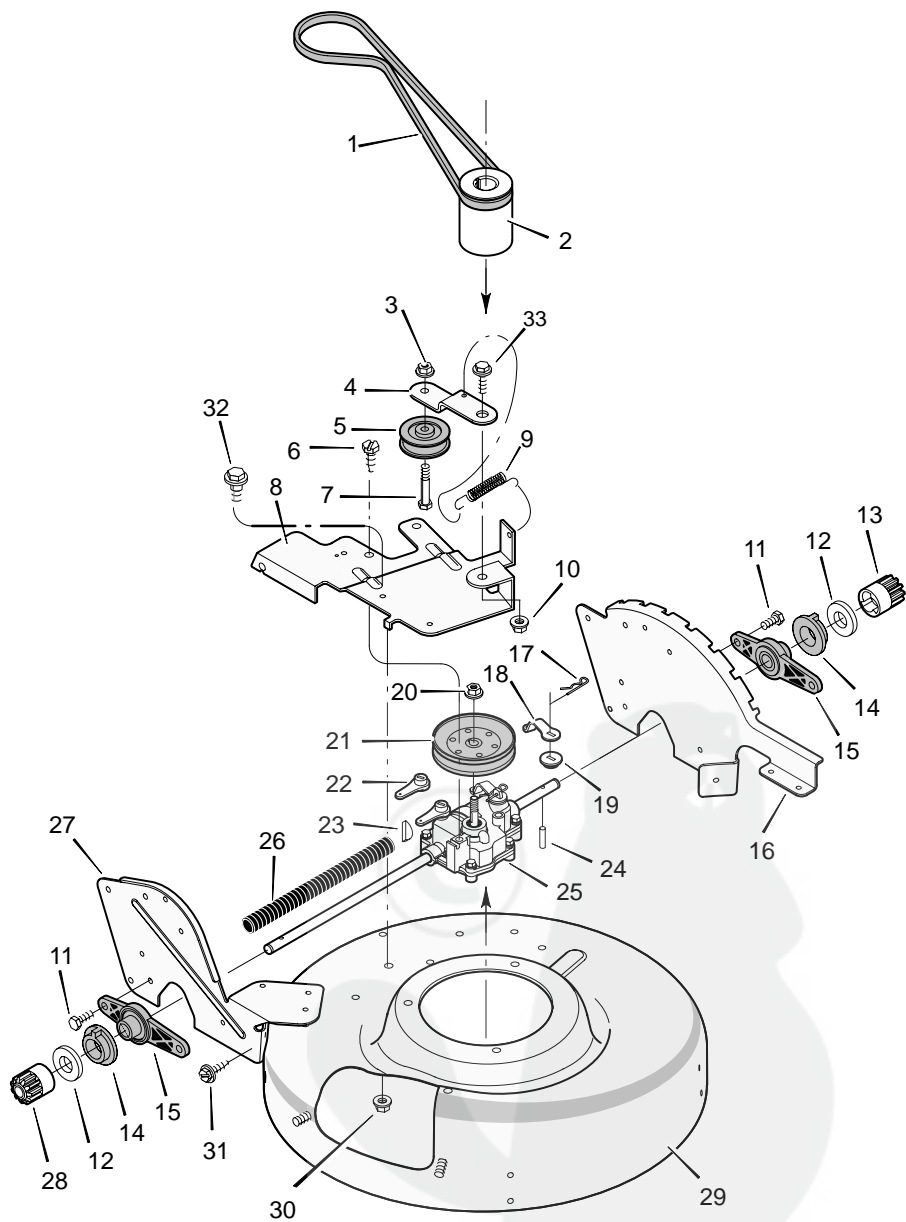


MODEL 22855x19E

KEY NO.	DESCRIPTION	PART NO.	KEY NO.	DESCRIPTION	PART NO.
1	Engine	‡	36	Bolt, Hex	1x148
2	Screw	25x2	37	Blade	71113E701
3	Plug, Mulcher	71373	38	Spacer, Adapter	71470
4	Cover, Rear	71547	39	Cover, Dust	43616
5	Screw	26x220	40	Bolt, Engine	25x6
6	Screw	6x74	41	Spring, Extension	165x97
7	Adapter, Blade	71285	42	Crossbar Assembly, Rear	71315E701
8	Strap, Adjuster	71318E701	43	Lever, Height Adjuster	71293E701
9	Washer, Spring	20x3	44	Grip, Height Adjuster	71297
10	Bolt, Shoulder	9x49	45	Bushing	43886
11	Pin, Hair	31x10	46	Wheel, Rear (White)	43617
12	Locknut, Flange	15x84	47	Washer	17x169
13	Nut, Hex	15x68	48	Hub Cap (Grey)	43615
14	Bolt, Shoulder	9x48	49	Support, Wheel	71370E701
16	Bearing, Lifter	43788	50	Deflector, Chute	71295
17	Support, Axle	71411	51	Nut, Wing	14x86
18	Screw	26x275	52	Guard, Rear	71289
19	Index, Height Adjuster	71368E701	53	Deflector, Rear	71381
20	Bracket, Handle	71317E701	54	Rod	71319Z
21	Housing (Red)	71801E245	55	Cap, Push On	28x42
22	Bolt, Shoulder	9x17	56	Key, Woodruff #6	20062
24	Panel, Front	71329E701	57	Plate, Bagger	71298E701
26	Cap - Ball Bearing (Grey)	43847	58	Door, Rear	71299E701
27	Wheel, Front (White)	43724	59	Grip, Door	71306
28	Pin, Hair	31x9	60	Rod, Door	71300Z
29	Link, Lifter	71328	61	Spring, Torsion	166x36
30	Crossbar Assembly, Front	71325E701	62	Guide, Rope	71443
31	Bushing	71291	63	Seal	71471
32	Clip, Front Axle	71292	64	Bolt, Carriage	2x53
33	Screw	26x263	65	Retainer	28x64
34	Washer, Belleville	17x137	--	Instruction Book	F-9641 1
35	Washer	17x124			

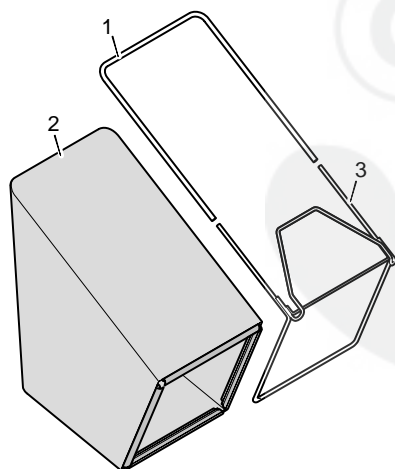
‡ Parts are available from a Authorized Engine Service Center. See "Engines, Gasoline" or "Gasoline Engines" in the yellow pages of the telephone directory.

MODEL 22855x19E



MODEL 22855x19E

KEY NO.	DESCRIPTION	PART NO.	KEY NO.	DESCRIPTION	PART NO.
1	Belt	37x77	18	Arm, Clutch	400312
2	Adaptor, Blade	71285	19	Support, Clutch	400313
3	Locknut, Flange	15x88	20	Locknut	190x15
4	Arm, Idler	71309Z	21	Pulley, Transmission	71288
5	Pulley, Idler	71054	22	Arm, Shift	400311
6	Screw	26x216	23	Key, Woodruff	400314
7	Bolt	1x141	24	Pin, Drive	43629
8	Bracket, Transmission	71376Z	25	Transmission	71374
9	Spring, Extension	165x108	26	Shield, Axle	43649
10	Locknut, Flange	15x84	27	Support, Wheel	71370E701
11	Screw	26x275	28	Gear, Right Pinion	71286
12	Washer	17x186	29	Housing (Red)	71801E245
13	Gear, Left Pinion	71287	30	Locknut, Flange	15x68
14	Bearing, Lifter	43788	31	Screw	26x259
15	Support, Axle	71411	32	Bolt, Shoulder	9x49
16	Index, Height Adjuster	71368E701	33	Bolt, Shoulder	9x48
17	Pin, Hair	31x10			



KEY NO.	DESCRIPTION	PART NO.
1	Tube, Grass Bag	71307
2	Bag	71302
2	Bag 1996 Number	71702
3	Frame	71303