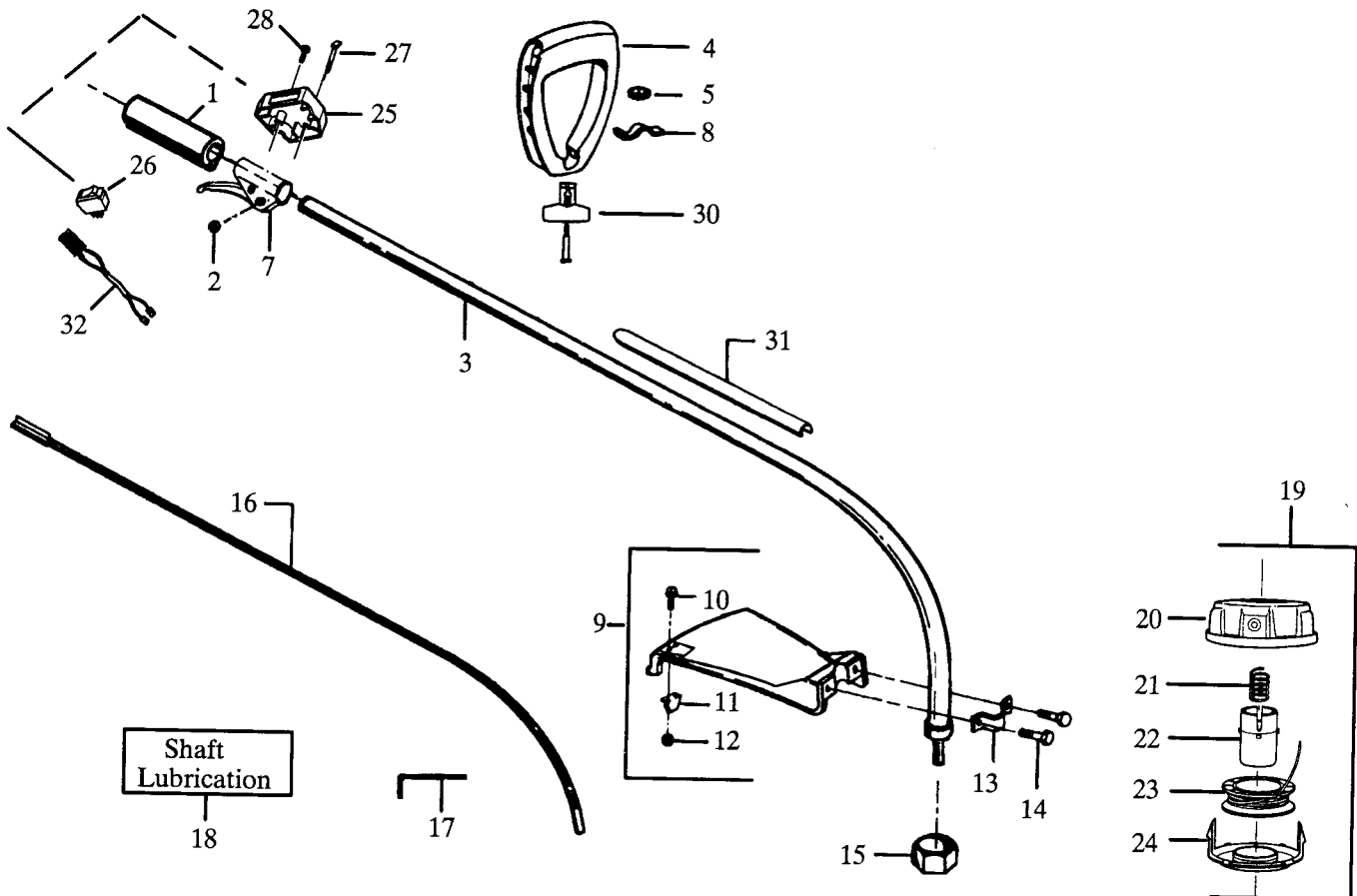




Prod. nr. 952 71 52-82

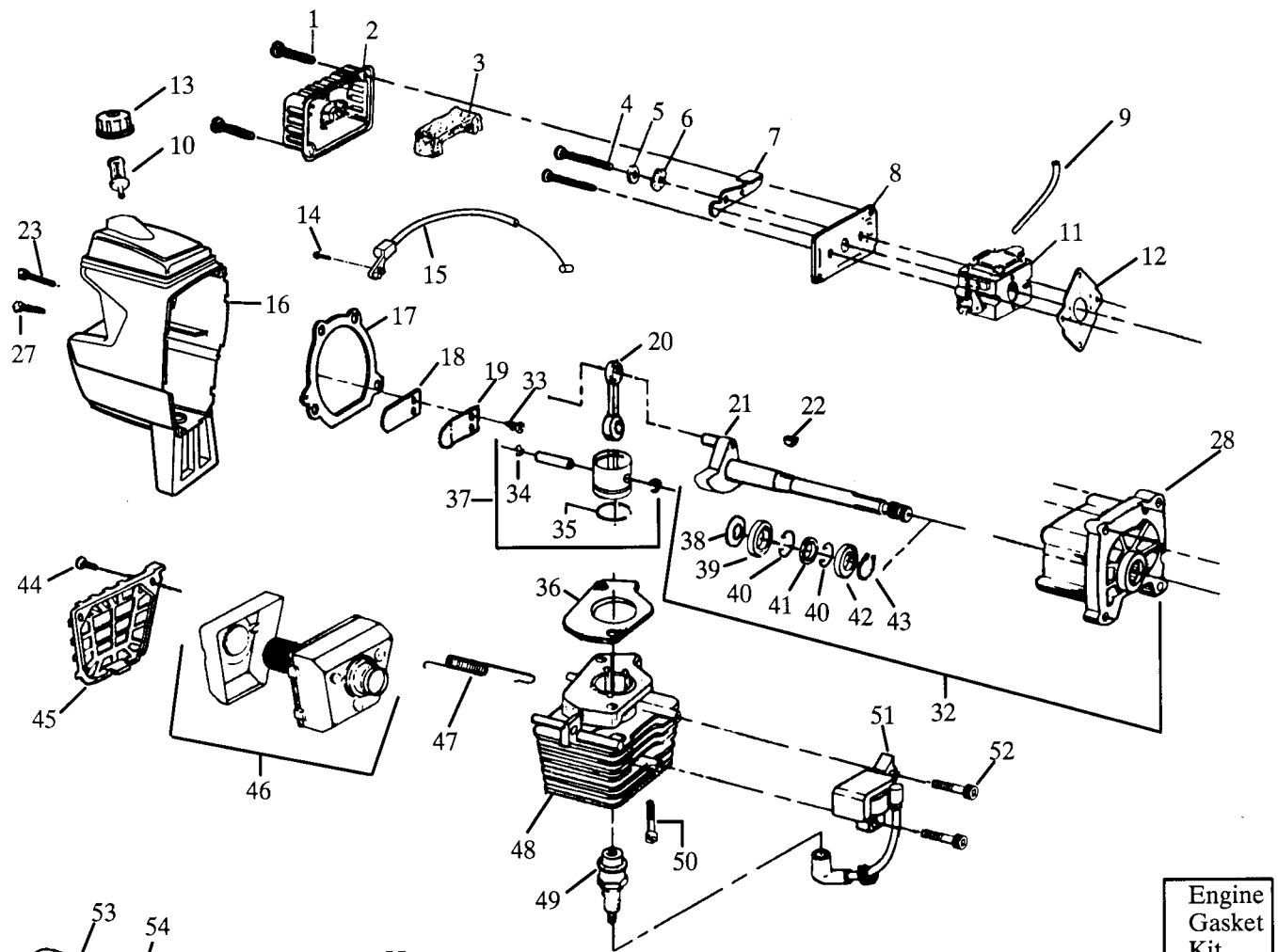
## SPAREPARTS

107 26 19-62

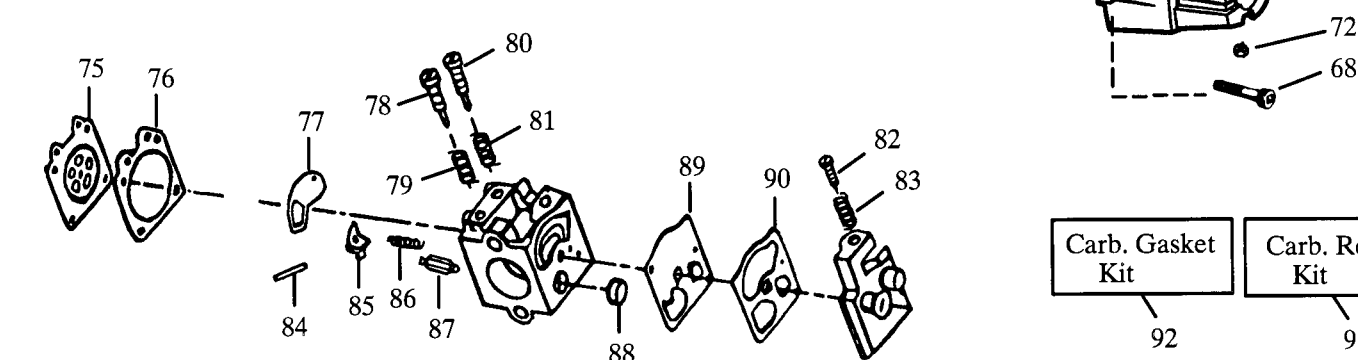
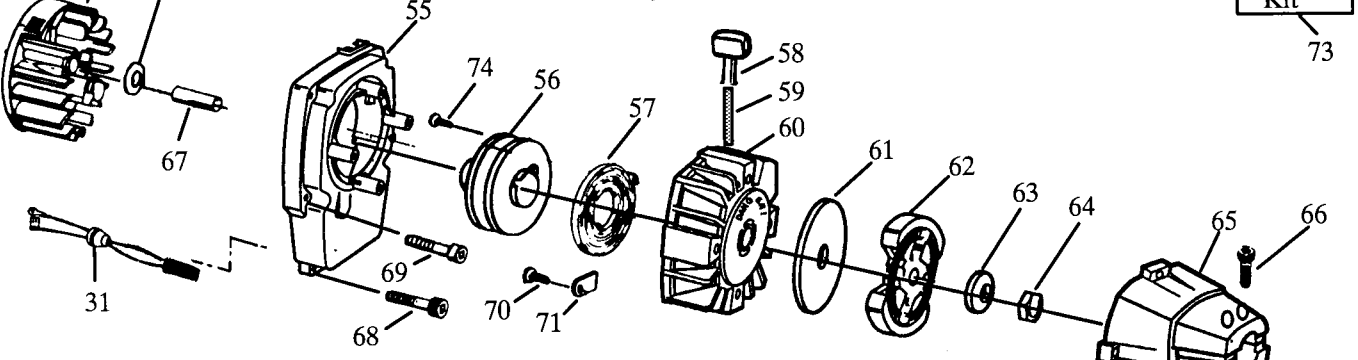


No.	Part no	Description	No.	Part no.	Description
1	530 02 94-45	Grip	16	530 09 45-51	Drive Shaft
2	530 01 57-68	Nut	18	530 03 01-02	Shaft Lubrication
3	530 09 48-91	Drive Shaft Housing	19	952 71 55-09	Cutting Head Ass'y. (Incl. 20-24)
4	530 01 42-22	Handle	20	530 09 48-78	Hub Ass'y.
5	530 01 56-10	Nut	21	530 09 48-30	Spring
7	530 01 46-46	Throttle Housing Ass'y.	22	530 09 48-27	Release Button
8	530 09 47-42	Clamp	23	952 71 55-08	Spool w/Line
9	530 06 92-49	Shield Kit Ass'y. (Incl. 10,11,12 &14)	24	530 09 48-28	Cover
10	530 01 53-37	Screw	25	530 03 68-55	Switch Cover
11	530 09 45-70	Line Limiter	26	530 03 64-93	Rocker Switch
12	530 01 56-53	Locknut	27	530 01 59-33	Screw
13	530 09 36-53	Shield Bracket	28	530 01 59-32	Screw
14	530 09 22-43	Screw	30	530 06 92-52	"T" Handle
15	530 09 45-43	Dust Cup	N 32	530 04 71-60	Leadwire Ass'y.

N = NEW PART



Engine Gasket Kit  
73



Carb. Gasket Kit  
92

Carb. Repair Kit  
91

No.	Part no	Description	No.	Part no.	Description
1	530 01 57-73	Screw	50	530 01 52-39	Screw
2	530 02 75-29	Air Filter Cover	51	530 03 91-34	Ignition Module Kit
3	530 02 75-30	Air Filter	52	530 01 51-28	Screw
4	530 01 58-49	Screw	53	530 03 91-36	Flywheel Ass'y.
5	530 01 58-52	Spacer	54	530 01 60-30	Washer
6	530 01 52-54	Wave Washer	55	530 02 93-89	Fan Housing
7	530 02 75-26	Choke Shutter	56	530 06 92-91	Starter Pulley
8	530 02 75-27	Air Filter Plate	57	530 02 93-95	Starter Spring
9	530 06 92-47	Fuel Line Kit	58	530 02 75-69	Starter Handle
10	530 01 43-62	Fuel Pick-up Ass'y.	59	530 06 92-32	Rope Kit
N 11	530 03 53-48	Carburetor (WT-300)	60	530 01 41-80	Pulley Housing Ass'y.
12	530 01 91-56	+ Carburetor Gasket	61	530 09 41-89	Clutch Washer
13	530 01 43-47	Fuel Cap Ass'y.	62	530 06 92-54	Clutch Ass'y. Kit
14	530 01 57-75	Screw	63	530 01 57-96	Washer
N 15	530 03 74-97	Throttle Cable Ass'y.	64	530 00 17-33	Nut
16	530 02 95-51	Shroud & Tank Ass'y.	65	530 01 42-11	Clutch Housing
17	530 01 91-54	+ Crankcase/Shroud Gasket	66	530 01 57-67	Screw
18	530 02 75-93	Reed	67	530 02 75-11	Spacer
19	530 02 75-94	Reed Stop	68	530 01 57-70	Screw
20	530 01 09-60	Connecting Rod Ass'y. (Incl. Bearings)	69	530 01 57-69	Screw
21	530 01 09-34	Crankshaft Ass'y.	70	530 01 54-96	Screw
22	530 01 51-26	Flywheel Key	71	530 02 75-23	Retainer
23	530 01 58-10	Screw	72	530 01 57-68	Locknut
27	530 01 57-71	Screw	73	530 06 92-76	Engine Gasket Kit (+ Indicates Contents)
28	530 01 40-16	Crankcase Ass'y. (Incl. 39-42)	74	530 01 58-23	Screw (Incl. in Starter Pulley Kit)
N 31	530 04 71-45	Lead Wire/Grommet Ass'y.	75	530 03 50-14	* + Metering Diaphragm
32	530 01 40-15	Crankcase & Crankshaft Ass'y. ( 21, 28, 38 & 43)	76	530 03 51-51	* + Metering Diaphragm Gasket
33	530 01 52-41	Screw	77	530 03 51-47	Circuit Plate Gasket
34	530 01 51-62	Piston Pin Retainer	78	530 03 51-42	Hi Speed Needle
35	530 02 58-75	Piston Ring	79	505 31 67-21	Hi Speed Needle Spring
36	530 01 91-78	+ Cylinder Gasket	80	530 03 51-41	Idle Needle
37	530 06 92-75	Piston Kit (Incl. 34, 35 & pin)	81	501 46 73-01	Idle Needle Spring
38	530 01 57-88	Spacer	82	530 03 52-03	Idle Speed Screw
39	530 03 21-03	Inner Bearing	83	530 03 52-08	Idle Speed Spring
40	530 01 57-87	Retaining Ring	84	505 52 01-25	* Metering Lever Pin
41	530 01 91-58	Crankshaft Seal	85	505 52 01-27	* Metering Lever
42	530 03 21-02	Outer Bearing	86	530 03 51-88	* Metering Lever Spring
43	530 01 57-89	Crankshaft Retaining Ring	87	503 11 70-01	* Inlet Needle Valve
44	530 01 57-17	Screw	88	530 03 51-78	* Inlet Screen
45	530 02 77-81	Muffler Guard	89	530 03 51-66	* + Pump Diaphragm
46	530 06 92-57	Muffler Kit	90	504 13 09-06	* + Pump Gasket
47	530 03 64-09	Muffler Attachment Spring	91	505 52 01-30	Carb. Kwik Repair Kit ( * Indicates Contents)
48	530 01 22-35	Cylinder	92	530 03 51-85	Carb. Gasket/Diaphragm Kit ( + Indicates Contents)
49	530 03 00-58	Spark Plug			

N = NEW PARTS