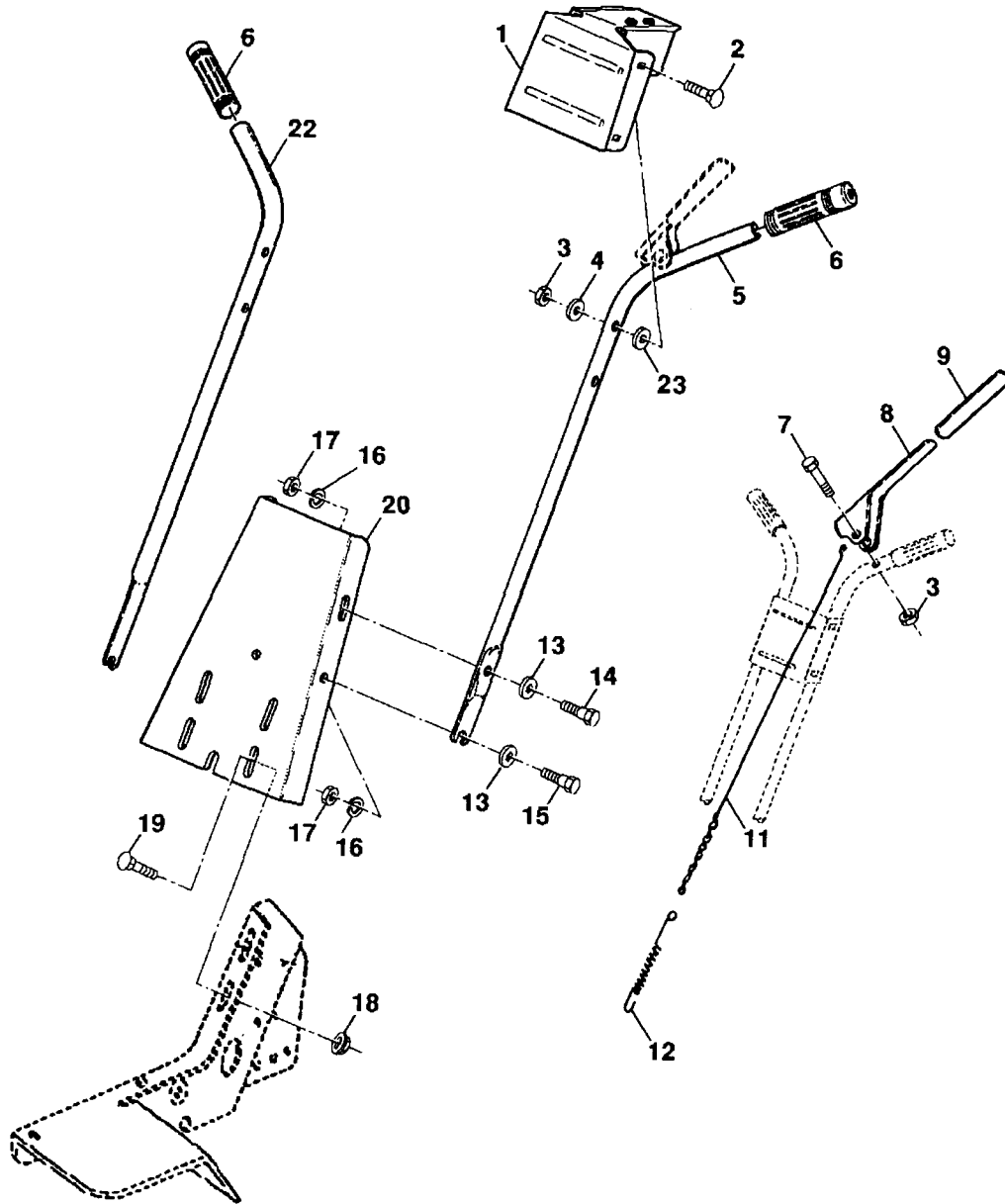


Prod.No: 954 00 13-91  
 Engine: B & S 91202 Type: 0187 Trim: 01

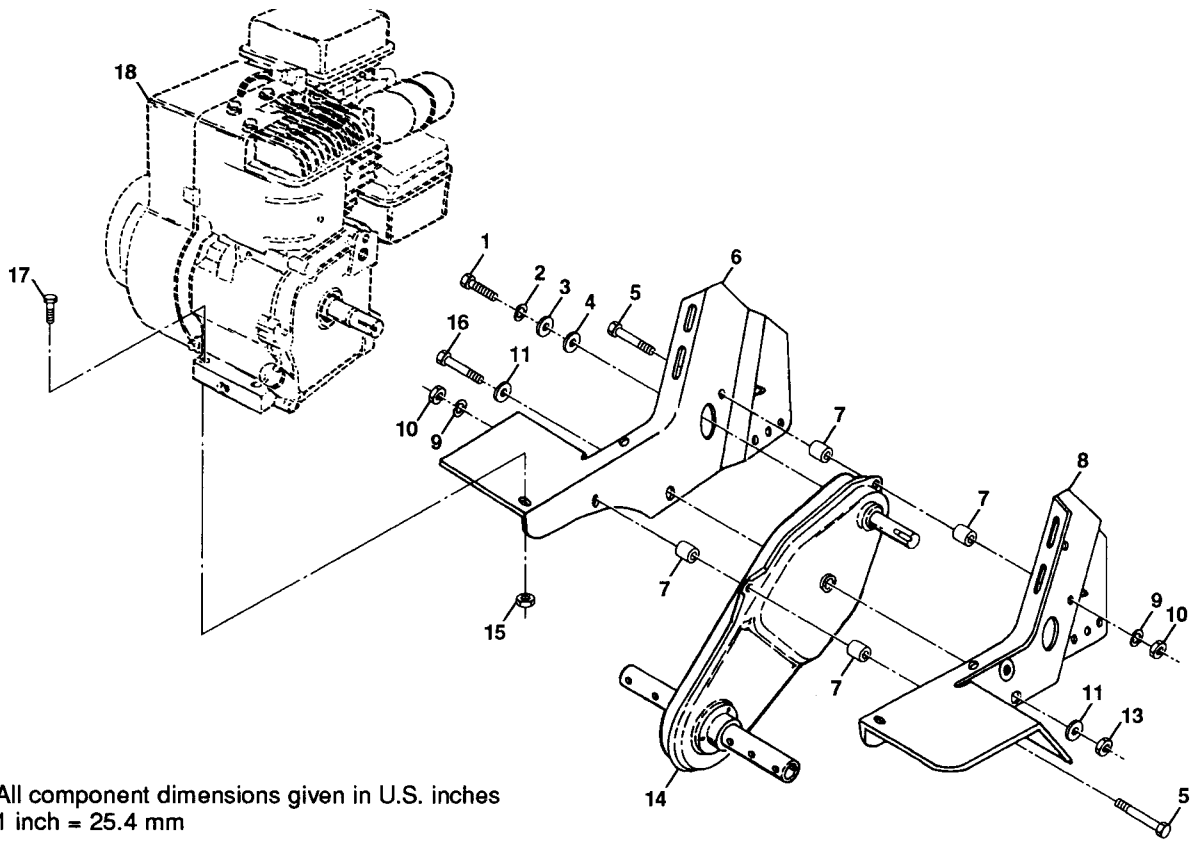
## SPAREPARTS

107 25 96-65



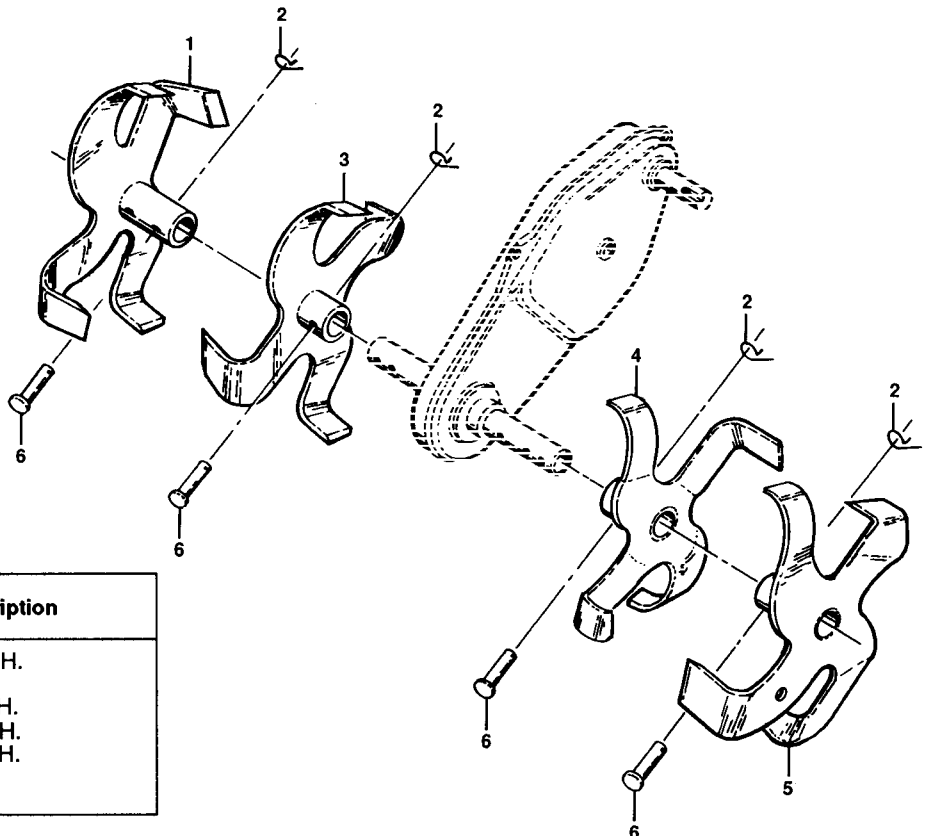
**NOTE:** All component dimensions are given in U.S. inches.  
 1 inch = 25.4 mm

Key No.	Part No.	Description	Key No.	Part No.	Description
1	532 12 53-55	Bracket, Handle	15	874 78 05-12	Bolt, Hex 5/16-18 x 3/4
2	872 14 05-12	Bolt, Carriage 5/16-18 UNC x 1-1/2	16	810 04 05-00	Washer, Lock 5/16
3	873 68 05-00	Locknut, Crown 5/16-18	17	873 22 05-00	Nut, Hex 5/16-18
4	734 11 63-01	Washer 11/32 x 11/16 x 16 Ga.	18	873 68 05-00	Nut, Flanged 5/16-18
5	532 15 14-73	Handle, L.H.	19	872 14 05-06	Bolt, Carriage 5/16-18 x 3/4 Gr. 5
6	532 00 92-66	Grip, Handle	20	532 12 53-56	Panel, Handle
7	874 78 05-24	Bolt, Hex 5/16-18 x 1-1/2	22	532 15 14-74	Handle, R.H.
8	532 00 30-69	Lever, Control, Tine	23	734 11 72-01	Washer 13/32 x 13/16 x 12 Ga.
9	532 12 47-97	Grip, Lever			
11	532 00 30-67	Cable, Control, Tine			
12	532 00 30-70	Spring, Extension			
13	734 11 72-01	Washer 3/8 x 7/8 x 14 Ga.			
14	874 78 05-16	Bolt, Hex 5/16-18 x 1			

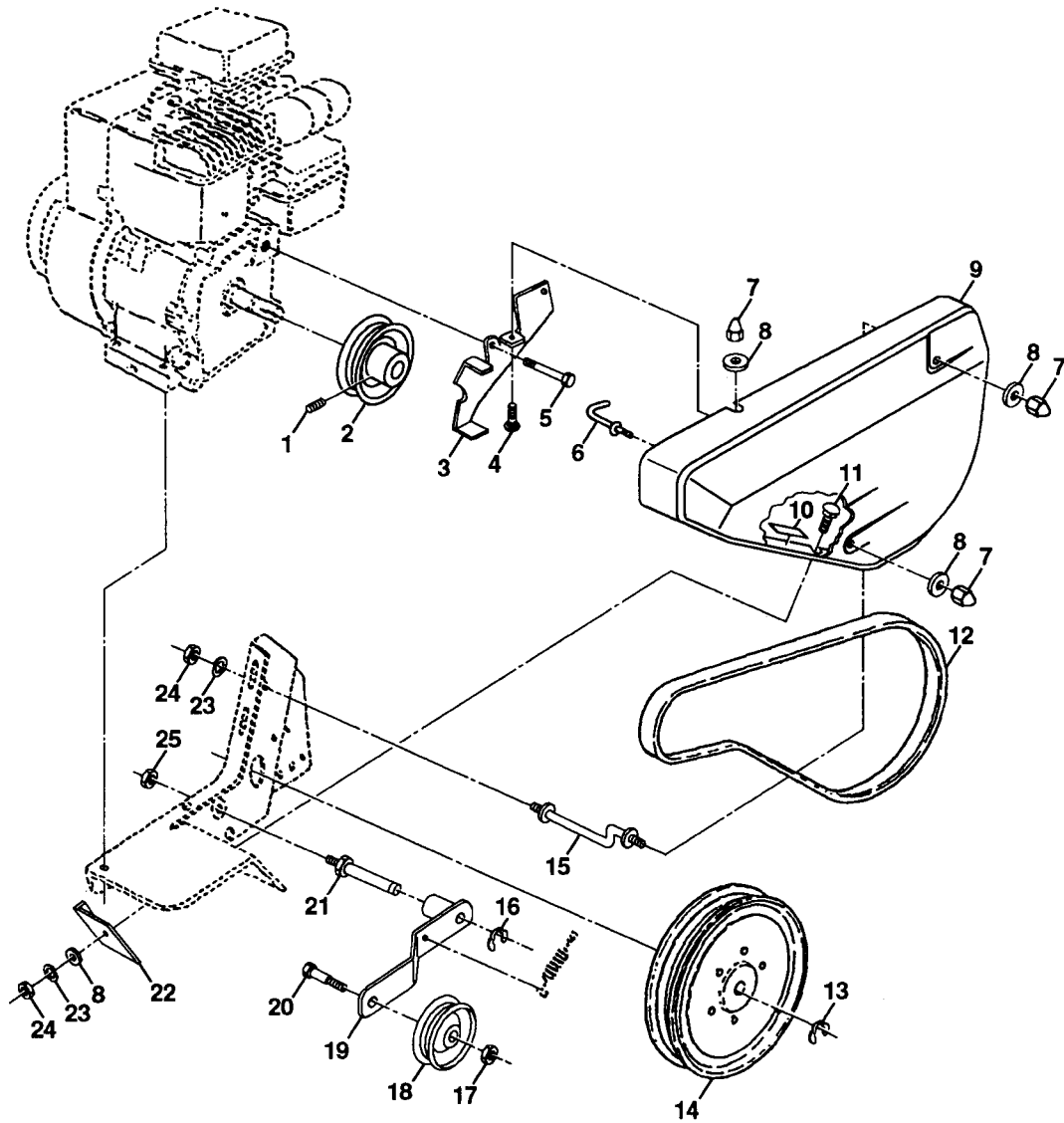


**NOTE:** All component dimensions given in U.S. inches  
1 inch = 25.4 mm

Key No.	Part No.	Description	Key No.	Part No.	Description
1	874 61 04-12	Bolt, Hex 1/4-28 x 3/4 Gr. 5	13	873 80 06-00	Locknut, w/Insert 3/8-16
2	810 04 04-00	Washer, Lock 1/4	14	532 15 19-37	Transmission
3	819 09 20-16	Washer 9/32 x 1-1/4 x 16 Ga.	15	873 51 05-00	Nut, Keps 5/16-18
4	819 09 14-12	Washer 9/32 x 7/8 x 12 Ga.	16	874 78 06-52	Bolt, Hex 3/8-16 x 3-1/4
5	874 76 05-44	Bolt, Hex 5/16-18 x 2-3/4	17	874 76 05-24	Bolt, Hex 5/16-18 x 1-1/2
6	532 12 53-57	Bracket, Engine, R.H.	18	-----	Engine, Briggs & Stratton Model No. 91202-0187
7	532 00 91-73	Spacer, Split			
8	532 12 53-58	Bracket, Engine, L.H.			
9	810 04 05-00	Washer, Lock 5/16			
10	873 22 05-00	Nut, Hex 5/16-18			
11	734 11 72-01	Washer 13/32 x 13/16 x 11 Ga.			

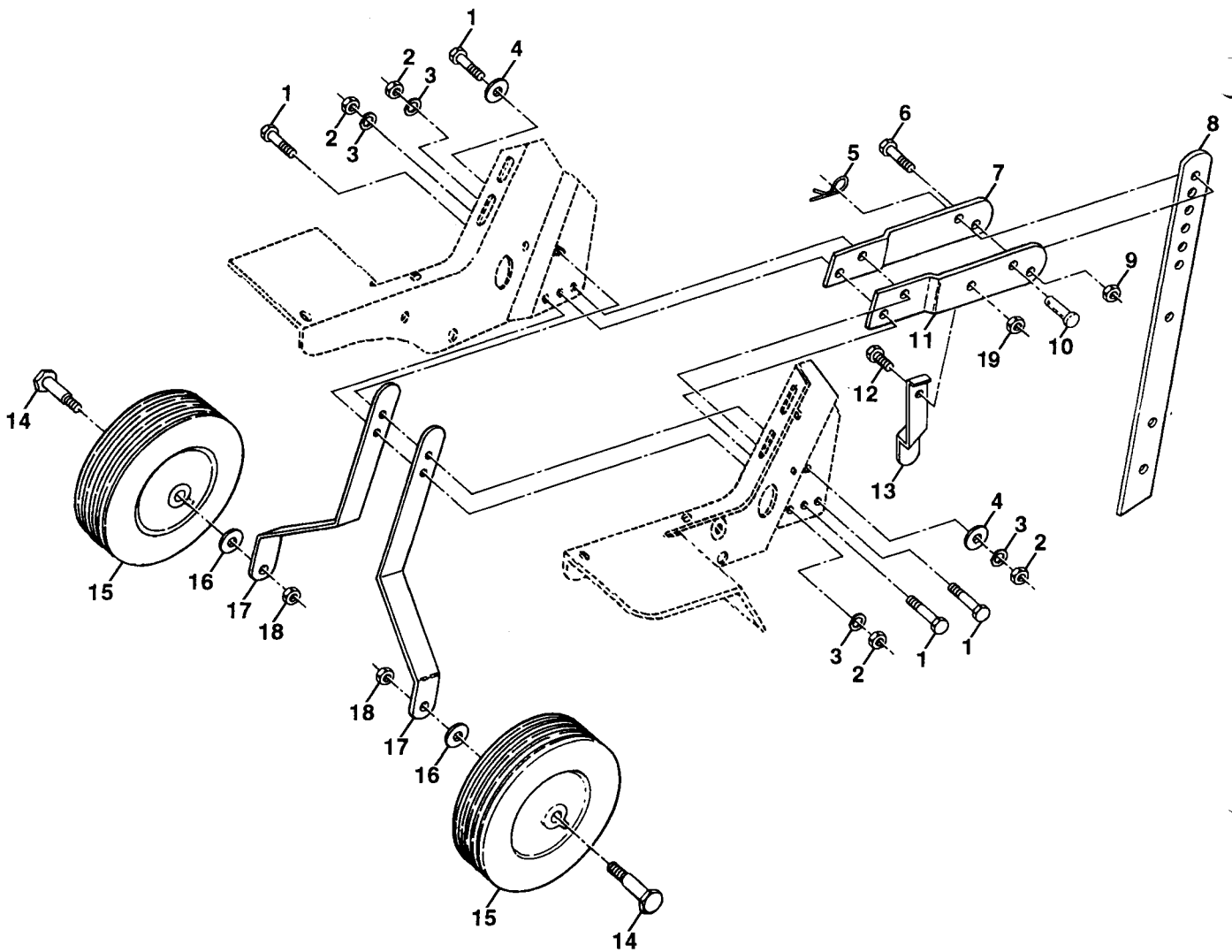


Key No.	Part No.	Description
1	532 10 68-60	Tine, Outer, R.H.
2	532 00 49-21	Clip, Hairpin
3	532 10 68-58	Tine, Inner, R.H.
4	532 10 68-57	Tine, Inner, L.H.
5	532 10 68-59	Tine, Outer, L.H.
6	532 00 91-94	Pin, Clevis



Key No.	Part No.	Description	Key No.	Part No.	Description
1	823 23 05-06	Screw, Set, Forged Socket, Headless 5/16-18 x 3/8	15	532 13 22-13	Bolt, Belt Guard
2	532 13 08-11	Pulley, Engine	16	812 00 00-36	Ring, Klip
3	532 12 29-55	Bracket Assembly, Guard, Belt	17	873 35 06-00	Nut, Hex, Jam 3/8-16
4	872 14 04-04	Bolt, Carriage 1/4-20 x 1/2	18	532 00 91-78	Pulley, Idler
5	874 77 08-12	Bolt, Hex 1/2-20 x 3/4	19	532 12 46-88	Idler Arm Assembly
6	532 12 14-63	Keeper, Belt, Transmission Pulley	20	874 76 06-20	Bolt, Hex 3/8-16 x 1-1/4
7	532 10 42-13	Nut, Cap 1/4-20	21	532 10 69-68	Shaft, Idler Arm
8	734 11 53-01	Washer 9/32 x 5/8 x 16 Ga.	22	532 10 53-58	Shield, Dirt
9	532 12 53-42	Guard, Belt	23	810 04 04-00	Washer, Lock 1/4
10	532 10 92-27	Pad, Idler	24	873 22 04-00	Nut, Hex 1/4-20
11	872 14 04-06	Bolt, Carriage 1/4-20 x 3/4	25	873 35 05-00	Nut, Hex, Jam 5/16-18
12	532 00 91-79	V-Belt			
13	532 00 22-67	Ring, Retainer			
14	532 15 19-39	Pulley, Transmission			

**NOTE:** All component dimensions given in U.S. inches  
1 inch = 25.4 mm



Key No.	Part No.	Description	Key No.	Part No.	Description
1	874 76 05-20	Bolt, Hex 5/16-18 x 1-1/4	12	874 76 05-12	Bolt, Hex 5/16-18 x 3/4
2	873 22 05-00	Nut, Hex 5/16-18	13	532 00 03-25	Spring, Depth Stake
3	810 04 05-00	Washer, Lock 5/16	14	532 12 11-17	Bolt, Shoulder
4	734 11 72-01	Washer 3/8 x 7/8 x 14 Ga.	15	532 00 91-86	Wheel
5	532 00 49-21	Clip, Hairpin	16	734 11 72-01	Washer 13/32 x 13/16 x 11 Ga.
6	874 78 06-28	Bolt, Fin, Hex 3/8-16 x 1-3/4	17	532 00 91-89	Bracket, Wheel
7	532 00 03-18	Support, Depth Stake, R.H.	18	873 68 06-00	Nut, Crownlock 3/8-16
8	532 00 91-93	Depth Stake	19	873 80 05-00	Locknut, w/Insert 5/16-18
9	873 68 06-00	Locknut, w/Insert 3/8-16			
10	532 00 95-51	Pin, Clevis			
11	532 00 03-17	Support, Depth Stake, L.H.			

**NOTE:** All component dimensions given in U.S. inches  
 1 inch = 25.4 mm