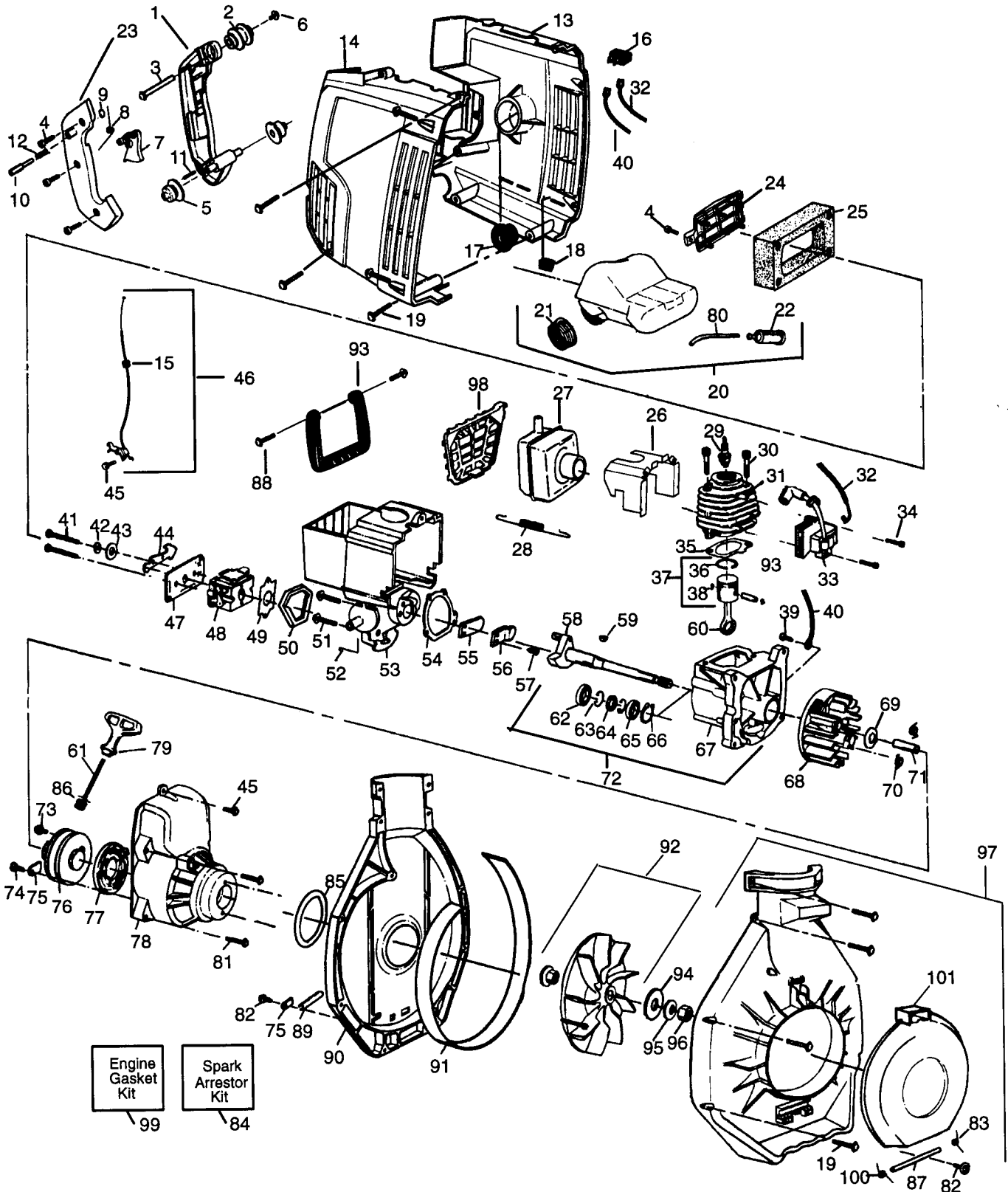




Prod. No: GBI 32 Skand + Eur 952 70 34-95

SPAREPARTS

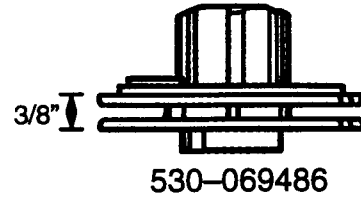
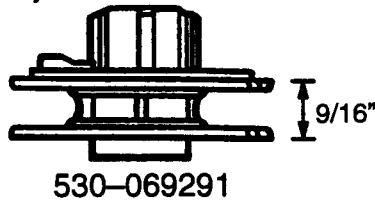
107 24 90-65



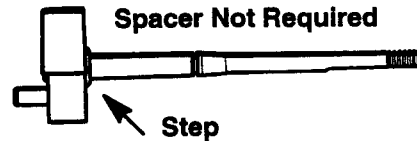
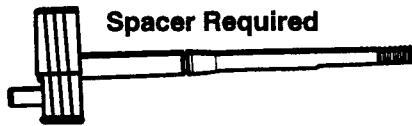
★SERVICE REFERENCE

1. Ignition Module Washer – Washer #530-015811, was used on some units having a serial number beginning with 1G268 and lower. When repairing units in this serial number range, the washer should be added if the unit is not so equipped. Units built with higher serial numbers do not require the washer.

2. Starter Pulley – When ordering a new starter pulley for your unit, please measure your existing pulley as shown by the dimensions in the illustrations below and order accordingly.



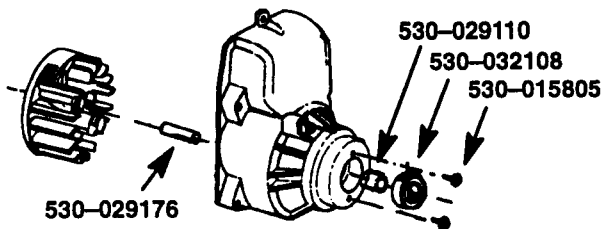
3. Crankshaft Spacer – Earlier models equipped with the laminated crankshaft (shown on the left) requires Spacer 530-015788. Later models equipped with a step on the crankshaft (shown on the right), do not require the spacer.



4. Fan Housing Kit, Spacers, Bearing and Screws – The earlier fan housing was equipped with bearing (530-032108), screws (530-015805) and required two spacers (530-029176 and 530-029110) as shown below. The new fan housing does not require a bearing and uses one long spacer (530-038386). Both sets of parts are included in the new fan housing kit 530-069714.

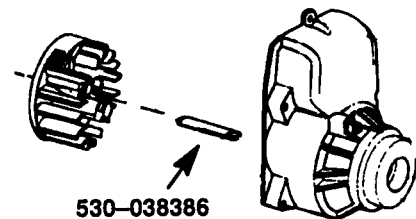
New Style

Bearing and Two Spacers Required

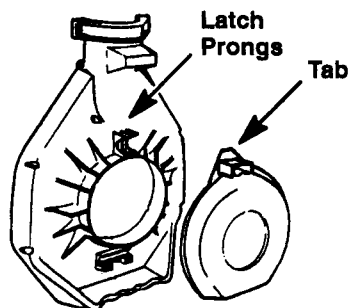


Old Style

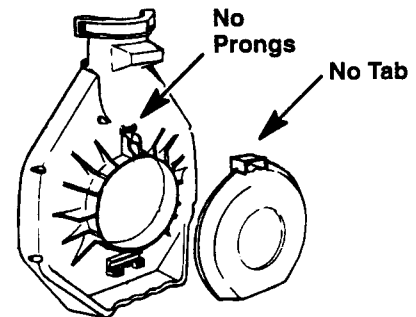
One Long Spacer Required



5. Inlet Door – The latch on the lower blower housing and door has changed. The new style can be identified by the tab found at the top of the latch on the door and the latch prongs on the housing as shown below. To replace the old door, order Lower Blower Fan Housing 530-047736. To replace the door equipped on the new style housing, order 530-047700.



New Style



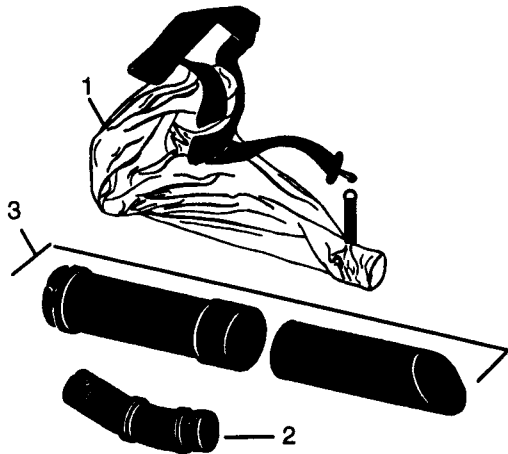
Old Style

Key No.	Part No.	Description	Key No.	Part No.	Description
1	530-094712	Handle	60	530-010960	Connecting Rod Ass'y.
2	530-026994	Front Isolator	61	530-069232	Rope Kit
3	530-029111	Spacer	62	530-032103	Inner Bearing
4	530-015635	Screw	63	530-015787	Ring
5	530-029130	Rear Isolator	64	530-019158	Crankshaft Seal
6	530-015813	Screw	65	530-032102	Outer Bearing
7	530-029072	Trigger	66	530-015789	Retaining Ring
8	530-027597	Spring	67	530-014016	Crankcase Ass'y.
9	530-015702	"C" Clip	68	530-039189	Flywheel Ass'y.
10	530-029117	Throttle Lock Button	69	530-347987	Washer
11	530-015840	Pin	70	530-023817	Spring
12	530-024772	Spring	✓ 71	530-038386	Spacer
13	530-037932	Shroud-Left	72	530-014156	Crankcase/Crankshaft Assy.
14	530-037933	Shroud-Right	73	530-016080	Screw
15	530-019168	Grommet	74	530-015496	Screw
16	530-069572	Switch	75	530-027523	Retainer
17	530-029129	Isolator	76	530-069291	Starter Pulley (Incl.73)
18	530-029089	Isolator Tank	77	530-029395	Starter Spring
19	530-015814	Screw	✓ 78	530-069714	Fan Housing Kit (Incl. 61, 71, 73-77, 79, & 86)
20	530-014121	Fuel Tank Ass'y. (Incl. #21, 22 & 80)	79	530-027569	Starter Handle
21	530-014347	Fuel Cap (Incl. O'Ring)	80	530-069247	Line Kit
22	530-014362	Fuel Pick-up Ass'y.	81	530-015769	Screw
23	530-014160	Handle Cover Ass'y. (Incl. 9, 10 & 12)	82	530-015815	Screw
24	530-029331	Cover	83	530-015672	Spring
25	530-029112	Air Filter	84	530-069348	Spark Arrestor Kit
26	530-029404	Air Baffle	85	530-019167	"O" Ring
27	530-069293	Muffler	86	530-029182	Eyelet
28	530-029116	Spring	87	530-015647	Pin
29	530-030075	Spark Plug	88	530-015843	Screw
✓30	530-001624	Screw	89	530-029119	Roll Pin
31	530-069628	Cylinder	90	530-094710	Blower Housing (Upper)
32	530-029145	Lead Wire	91	530-029173	Band
33	530-039137	Ignition Module	92	530-014157	Impeller (Incl. Hub)
34	530-015816	Screw	93	530-094740	Assist Handle
35	530-019178	Gasket	94	530-015818	Washer
36	530-025875	Piston Ring	95	530-015441	Washer
37	530-069277	Piston Kit (Incl. #36,38,& Pin)	96	530-001733	Nut
38	530-015162	Retainer	✓ 97	530-047736	Blower Housing (Lower) (Incl. 82, 83, 87, 100 & 101)
39	530-015306	Screw	98	530-069303	Muffler Guard
40	530-029144	Ground Wire	99	530-069294	Gasket Kit (Incl. 35, 49, 50 & 54)
41	530-015849	Screw	100	530-015667	Spring
42	530-015254	Wave Washer	✓ 101	530-047700	Inlet Door
43	530-015852	Spacer			
44	530-029114	Choke Shutter			
45	530-015775	Screw			
46	530-037492	Cable Assembly (Incl. #45)			
47	530-029115	Plate			
48	530-069644	Carburetor (WT 141A w/ Limiter Cap)			
49	530-019164	Gasket			
50	530-019165	Seal			
51	530-015771	Screw		Not Shown	
52	530-029113	Ground Wire			
✓53	530-047696	Reed Block			Operator's Manual
54	530-019166	Gasket	✓	530-083430	Scandinavian
55	530-027593	Reed Valve	✓	530-083431	European
56	530-027594	Reed Stop		530-036062	Warning Decal
57	530-016064	Screw			
58	530-014033	Crankshaft Ass'y.			
59	530-015126	Flywheel Key			

✓ = NEW PART NUMBER FOR THIS IPL

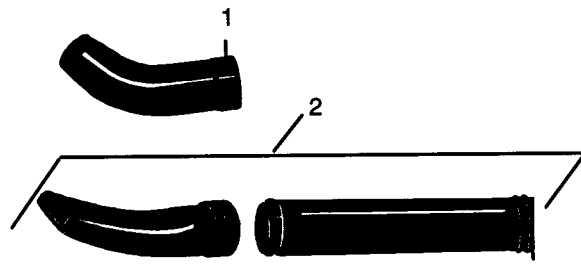
★ = REFER TO THE SERVICE REFERENCE INDICATED FOR MORE INFORMATION.(LOCATED AT END OF IPL)

Vacuum Tube Ass'y. 952-703540



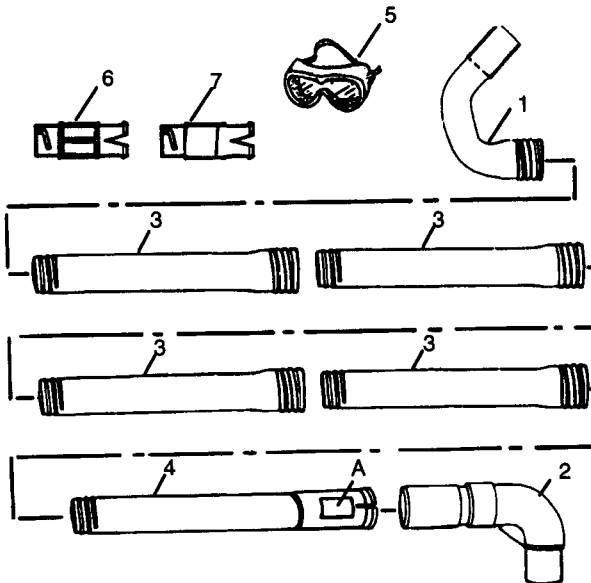
KEY NO.	PART NO.	DESCRIPTION
1	530-095115	Collection Bag W/Strap
2	530-095117	Collection Bag Elbow Tube
3	530-069270	Vacuum Tube Ass'y

Blower Tubes

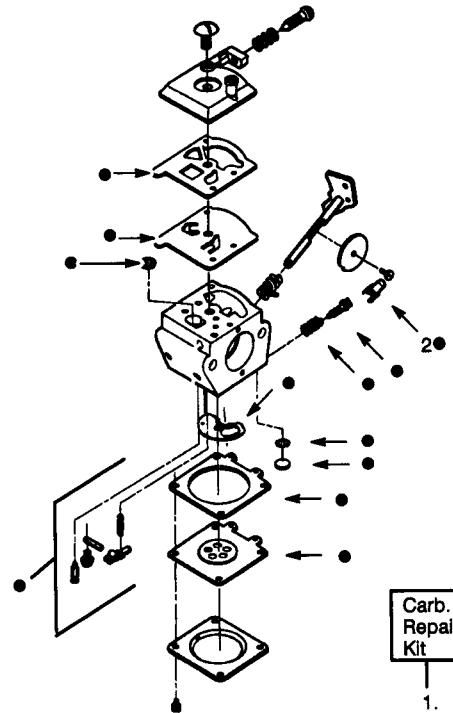


KEY NO.	PART NO.	DESCRIPTION
1	530-094968	Blower Nozzle-Concentrator Tube
2	530-038508	Tube and Nozzle Ass'y

**Gutter Attachment Kit 952-715521
(Incl. 1-7 & A)**



**Carburetor Assembly
WT-141A #530-069644**



Ref.	Part No.	Description
1.	530-069725	Carburetor Repair Kit (● Indicates Contents)
2.	530-038403	Limiter Cap