

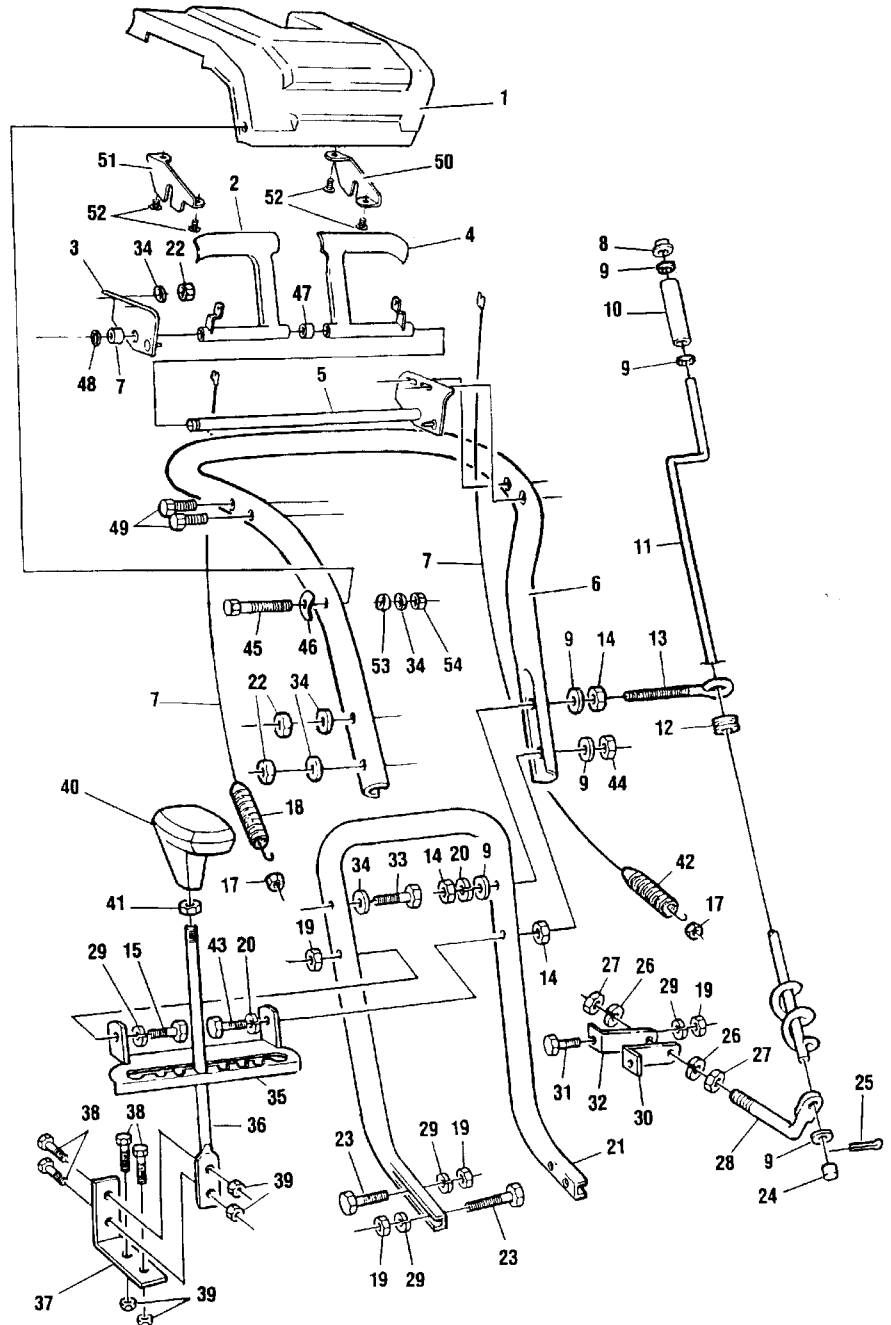


Prod.no: 968 87 01-10  
 Engine: Tecumseh  
 HSSK 50-67340 N

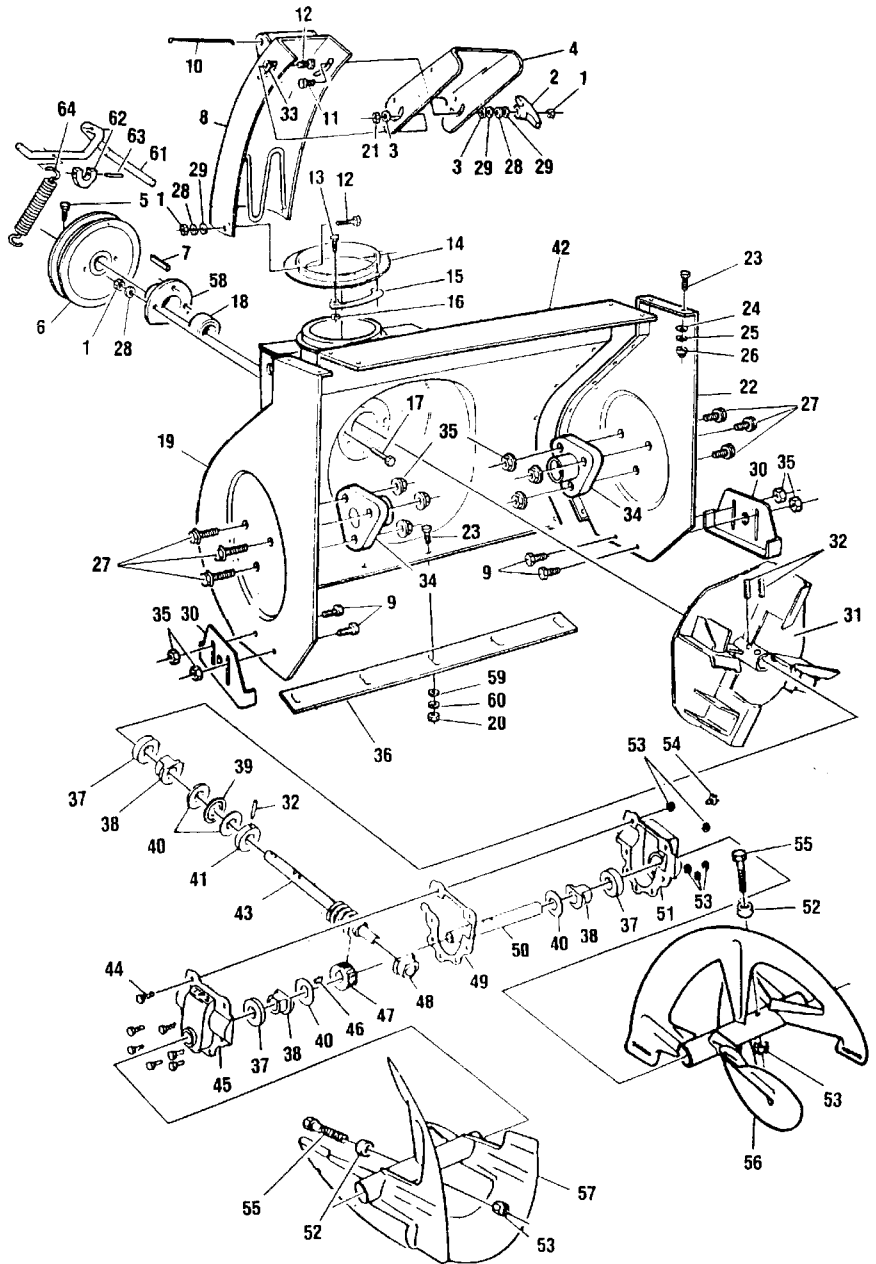
## SPAREPARTS

107 26 52-61

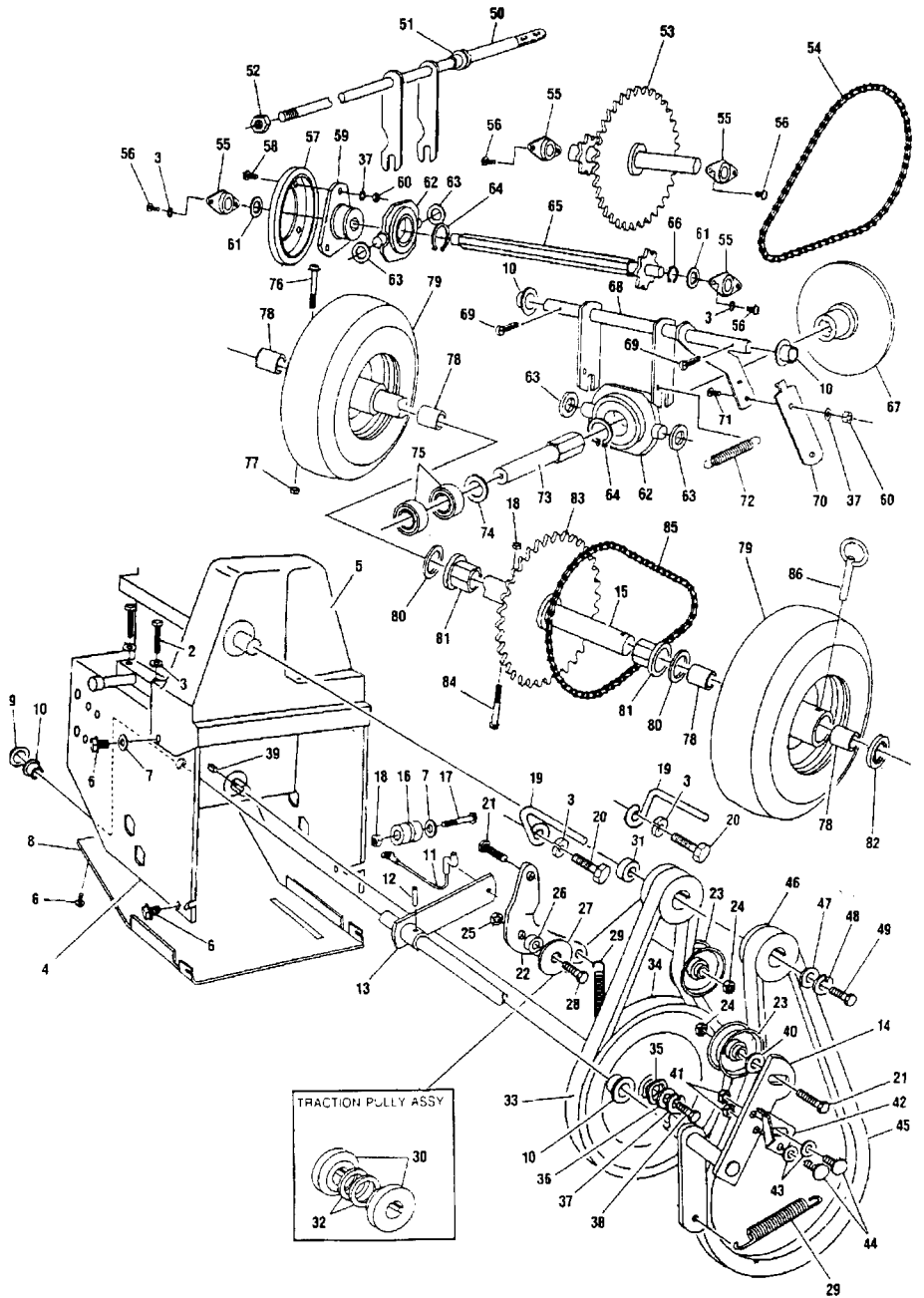
Ref. No.	Part.No.	Description
1	533 58 55-25	Control panel
2	533 58 03-70	Clutch handle R.H.
3	515 41 10-38	Bracket weld pin R.H.
4	533 58 03-69	Clutch handle L.H.
5	515 41 10-37	Bracket rod assembly L.H.
6	533 00 95-52	Upper handle
7	515 40 15-79	Traction cable
8	515 47 36-64	3/8 E-ring
9	515 47 10-72	3/8 Flat washer
10	515 45 14-43	Handle
11	515 40 00-17	Crank
12	515 40 01-48	Grommet
13	533 58 16-18	Eye bolt
14	515 47 10-45	3/8-16 jam nut
15	515 40 02-35	5/16-18 x 2-3/4 bolt
16	515 47 10-72	Flat washer
17	515 47 10-35	1/4-20 Nylock nut
18	515 40 16-73	Spring, auger clutch
19	515 47 10-37	5/16-18 hex nut
20	515 47 10-62	3/8 lockwasher
21	533 58 06-67	Lower handle
22	515 47 10-38	5/16-18 hex nylock nut
23	515 47 09-85	5/16-18 x 3/4 bolt
24	515 40 01-04	Plastic cap
25	515 47 10-81	3/32 x 3/4 cotter pin
26	515 40 70-59	1/2 lockwasher
27	515 40 70-58	1/2-20 jam nut
28	515 40 70-55	Rod, chute control
29	515 47 10-60	5/16 lockwasher
30	515 40 70-52	Bracket, chute rotate L.H.
31	515 47 09-93	5/16-18 x 3/4 carriage bolt
32	515 41 05-84	Bracket, chute rotate R.H.
33	515 47 09-90	5/16-18 x 1-3/4 bolt
34	515 47 10-71	5/16 Flatwasher
35	533 58 06-39	Shifter bracket
36	533 58 07-70	Shifter rod
37	533 58 08-75	Shift lever spring
38	515 47 09-74	1/4-20 x 3/4 bolt
39	533 01 16-73	1/4-20 flange nut
40	533 30 44-38	Shift knob
41	533 47 10-52	1/2-13 hex nut
42	533 57 98-69	Spring, traction clutch
43	533 58 04-22	3/8-16 x 2 bolt
44	515 47 10-46	3/8-16 hex nylock nut
45	515 40 58-69	5/16-18 x 2 bolt
46	515 47 10-78	5/16 saddle washer
47	515 41 16-22	Spacer
48	515 45 16-75	5/8 E-retainer
49	515 47 09-89	5/16-18 x 1.5 bolt
50	515 41 20-06	Bracket panel L.H.
51	515 41 20-07	Bracket panel R.H.
52	515 40 70-47	#10-16 x 1/2 pan screw
53	515 47 10-61	5/16 external lockwasher
54	515 47 13-91	5/16-18 lock nut



Ref. No.	Part.No.	Description
1	515 47 10-37	5/16 hex nut
2	515 40 98-84	Knob
3	515 40 67-11	Plastic washer
4	533 01 17-80	Chute deflector
5	515 57 74-00	5/16-18 x 5/8 screw
6	533 58 31-24	Pulley, auger
7	533 07 13-71	Key
8	533 01 19-17	Chute extension
9	533 00 81-56	5/16-18 x 1/2 carriage bolt
10	533 01 18-43	Wire chute hinge
11	515 40 33-16	5/16-18 x 1 carriage bolt
12	515 47 09-93	5/16-18 x 3/4 carriage bolt
13	515 47 10-32	8-32 x 1/2 bolt
14	533 01 14-95	Flange
15	515 48 54-80	Retainer
16	533 07 10-57	8-32 locknut
17	515 47 09-83	5/16-18 x 5/8 bolt
18	533 58 07-81	Bearing
19	533 00 93-70	Side plate R.H.
20	515 47 10-34	1/4-20, Hex nut
21	515 47 10-38	5/16-18 Nylock nut
22	533 00 93-69	Side plate L.H.
23	515 40 38-09	1/4-20 x 5/8 carriage bolt
24	515 47 10-67	Flatwasher
25	515 47 10-59	Lockwasher
26	515 47 10-34	Nut
27	515 40 93-57	5/16-18 x 3/4 bolt
28	515 47 10-60	5/16 lockwasher
29	515 47 10-71	5/16 flatwasher
30	533 01 05-23	Height adjustor skid
31	533 01 02-98	Impeller assembly
32	515 41 08-77	Roll pin
33	533 01 20-21	Plastic washer
34	515 40 95-17	Bearing
35	515 40 86-19	Wide flange locknut
36	533 58 13-97	24" scraper bar
37	515 40 95-66	Oil seal
38	515 40 93-63	Bushing
39	515 45 06-84	Needle bearing
40	515 40 93-46	Thrust washer
41	533 58 02-95	Thrust collar
42	533 58 31-45	24" auger housing
43	533 58 31-25	Input shaft
44	515 47 09-74	1/4-20 x 3/4 screw
45	515 41 05-77	R.H. gear case
46	515 40 00-43	Woodruff key
47	515 40 93-55	Worm gear
48	515 40 93-62	Bushing
49	515 40 93-53	Gasket
50	533 58 13-89	24" output shaft
51	515 41 05-76	L.H. gear case
52	515 40 39-43	Spacer
53	515 47 38-26	1/4-20 locknut
54	515 40 93-44	3/8-16 x 1/2 taptite screw
55	515 40 95-24	1/4-20 x 1-3/4 bolt
56	533 58 16-45	24" auger L.H.
57	533 58 17-88	24" auger R.H.
58	533 58 29-60	Retainer bearing
59	515 47 10-67	1/4 Flatwasher
60	515 47 10-59	1/4 Lockwasher
61	533 58 09-46	Brake arm
62	533 58 15-40	Brake pad
63	533 07 38-01	Roll pin
64	533 00 70-30	Spring return



Ref. No.	Part.No.	Description
2	515 47 09-88	5/16-18 x 1.25 bolt
3	515 47 10-60	5/16 Lockwasher
4	533 33 41-33	Motor mount
5	533 58 07-73	Belt cover
6	515 47 09-78	1/4-20 x 1/2 Self tap
7	515 47 10-67	1/4 Flat washer
8	533 58 30-31	Bottom panel
9	515 47 38-17	Push nut
10	515 45 37-03	Plastic bushing
11	533 57 98-56	Cable eye lever
12	515 47 38-01	Roll pin
13	533 57 98-74	Auger clutch cable lever
14	533 58 08-89	Auger clutch assy
15	533 58 08-83	Axle
16	533 57 98-60	Spool
17	515 47 13-60	1/4-20 x 1-3/4 Bolt
18	515 47 10-35	1/4-20 Nylock nut
19	515 40 39-49	Belt guide
20	533 57 87-33	5/16-24 x 5/8 Bolt
21	515 47 10-06	3/8-16 x 1-1/4 Bolt
22	533 57 98-72	Idler lever
23	515 45 07-93	Idler pulley
24	515 40 05-90	3/8-16 Jam nut
25	515 47 10-38	5/16-18 Nylock nut
26	533 57 98-65	Bushing idler lever
27	515 47 37-95	5/16 x 1-1/4 Flat washer
28	515 47 09-85	5/16-18 x 3/4 Bolt
29	515 45 37-04	Idler spring
30	533 57 98-54	Traction pulley
31	533 57 98-55	Crankshaft washer
32	533 57 98-61	Pulley spacer
33	533 57 99-32	Traction belt
34	533 58 09-61	Traction pulley
35	533 58 09-65	Wave washer
36	533 57 89-62	1/4 x 1 Flat washer
37	515 47 10-59	1/4 Split lockwasher
38	874 78 04-10	1/4-20 x 5/8 Bolt
39	533 58 09-70	3/16 Square key
40	515 47 10-72	3/8 Flat washer
41	873 68 04-00	1/4-20 Lock nut
42	533 58 09-44	Cam brake arm
43	515 47 10-71	5/16 Flat washer
44	515 40 38-09	1/4-20 x 5/8 Carr bolt
45	533 58 12-64	Auger belt
46	515 45 37-15	Engine pulley
47	515 45 06-77	3/8 x 1-1/4 Flat washer
48	515 47 10-63	3/8 Split lockwasher
49	515 47 10-15	3/8-24 x 1 Bolt
50	533 58 17-95	Speed select lever
51	533 57 99-44	Plastic bushing
52	515 47 11-11	3/8-16 Center locknut
53	533 57 98-93	Jack shaft
54	533 57 98-67	Chain 420 x 40P
55	533 33 41-63	Bearing
56	515 47 09-82	5/16-18 x 1/2 Bolt
57	515 45 38-30	Friction wheel
58	515 41 18-71	1/4-20 x 5/8 Bolt GR5
59	533 58 17-73	Friction wheel hub
60	515 47 10-34	1/4-20 hex nut
61	533 57 98-58	Washer
62	515 48 55-01	Trunion bearing
63	515 47 38-12	Trunion washer
64	515 47 38-11	1-1/4 Retainer ring
65	533 57 98-97	Hex shaft
66	533 43 56-48	Retainer ring
67	533 58 34-70	Friction disc
68	533 57 99-41	Traction shaft
69	515 47 10-79	1/8 x 1 Cotter pin
70	533 57 99-37	Traction spring lever
71	515 41 18-71	1/4-20 x 5/8 Bolt
72	515 45 38-18	Clutch spring return
73	533 58 31-55	Traction hex shaft
74	533 58 09-69	Washer
75	533 58 07-81	Ball bearing
76	515 57 70-15	Shear bolt
77	515 47 38-26	1/4-20 locknut



Ref. No.	Part.No.	Description
78	515 57 85-72	Wheel bushing
79	533 31 85-04	4:10 x 3.50-6 Wheel
80	515 40 61-04	3/4 x 1-1/8 Washer
81	533 58 17-30	Axle bearing
82	515 40 02-39	Retainer ring
83	533 58 30-12	Sprocket 35T
84	515 47 38-39	1/4-20 x 2-1/4 Bolt
85	533 57 98-67	Chain 420 x 40P
86	515 47 38-42	Click pin