

PARTNER

5



1996:1

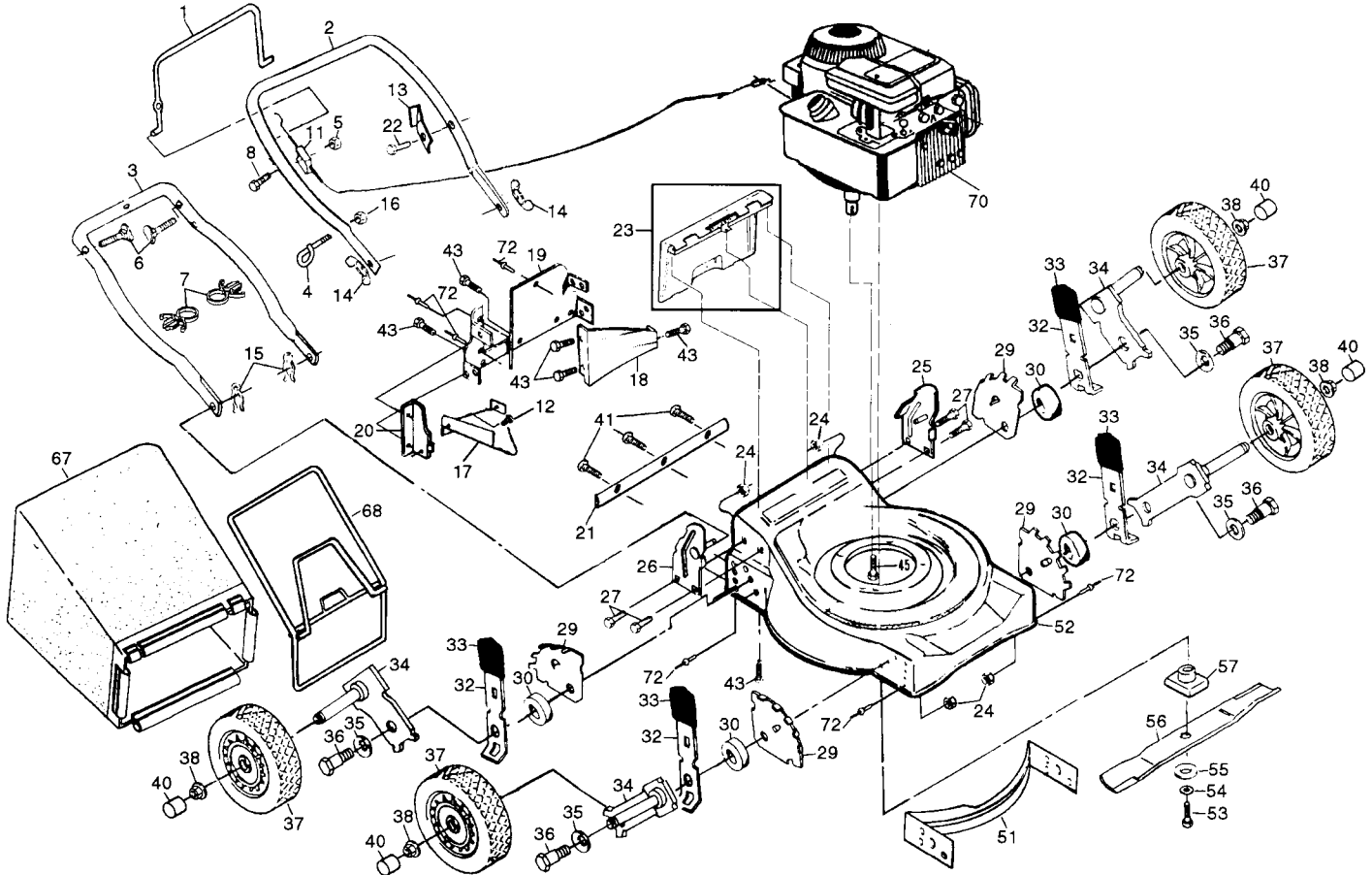
150 BS

Prod.No: 954 06 74-02

Engine: B & S 95902 Type: 3168 Trim: 02

SPAREPARTS

107 25 12-67



*These parts must be purchased through an authorized Briggs and Stratton dealer.

| Key No. | Part No. | Description |
|---------|--------------|------------------------------------|
| 1 | 532 13 16-96 | Control Bar |
| 2 | 532 15 34-07 | Upper Handle |
| 3 | 532 15 34-06 | Lower Handle |
| 4 | 532 13 20-01 | Rope Guide |
| 5 | 873 68 04-00 | Locknut 1/4-20 |
| 6 | 532 13 19-59 | Handle Bolt |
| 7 | 532 15 15-17 | Cable Clip |
| 8 | 874 78 04-24 | Machine Screw 1/4-20 x 1.5 |
| 11 | 532 85 16-71 | Engine Zone Control Cable |
| 12 | 532 15 00-50 | Hex Washer Head Screw #10-24 x 1/2 |
| 13 | 532 12 51-62 | Up-Stop Bracket |
| 14 | 532 12 86-38 | Wing Nut |
| 15 | 532 05 17-93 | Hairpin Cotter |
| 16 | 873 68 04-00 | Keys Locknut 1/4-20 |
| 17 | 532 12 53-78 | Discharge Baffle |
| 18 | 532 12 50-35 | Rear Baffle |
| 19 | 532 14 87-84 | Back Plate |
| 20 | 532 13 88-86 | Side Baffle |
| 21 | 532 14 61-43 | Guard, Foot |
| 22 | 817 02 10-08 | Hex Tapping Screw #10-2 |
| 23 | 532 14 76-13 | Rear Door Assembly Kit |
| 24 | 873 68 06-00 | Locknut 3/8-16 |
| 25 | 532 15 34-05 | Handle Bracket Assembly (Left) |
| 26 | 532 15 34-04 | Handle Bracket Assembly (Right) |
| 27 | 874 78 05-12 | Screw 5/16-18 x 3/4 |
| 29 | 532 13 99-01 | Wheel Adjusting Bracket |
| 30 | 532 08 49-20 | Spacer |
| 32 | 532 14 17-30 | Selector Spring |
| 33 | 532 08 78-77 | Selector Knob |

| Key No. | Part No. | Description |
|---------|--------------|------------------------------------------------|
| 34 | 532 14 98-57 | Axle Arm Assembly |
| 35 | 532 06 23-35 | Belleville Washer |
| 36 | 532 14 27-48 | Shoulder Bolt 3/8-16 |
| 37 | 532 80 02-20 | Wheel Assembly |
| 38 | 532 05 21-60 | Washer |
| 39 | 532 08 51-79 | Retainer Clip |
| 40 | 532 80 00-90 | Hubcap |
| 41 | 532 14 66-94 | Screw |
| 43 | 532 05 45-83 | Hex Tapping Screw 1/4-20 x 1/2 |
| 45 | 532 15 04-06 | Hex Head Thread Rolling Screw 3/8-16 x 1 |
| 51 | 532 12 54-13 | Front Baffle |
| 52 | 532 14 78-44 | Housing Assembly (Incl. Ref. #46, 51, 19 & 20) |
| 53 | 532 85 10-84 | Hex Head Screw 3/8-24 x 1-3/8 Grd. B |
| 54 | 532 85 02-63 | Helical Lock Washer |
| 55 | 532 85 10-74 | Hardened Washer |
| 56 | 531 02 01-34 | 20" Blade |
| 57 | 532 85 09-77 | Blade Adapter |
| 67 | 532 14 98-67 | Grass Bag |
| 68 | 532 14 95-55 | Catcher Frame |
| 70 | ----- | *Engine - Briggs/Stratton Model No. 95902 |
| 72 | 532 12 84-15 | Pop Rivet |