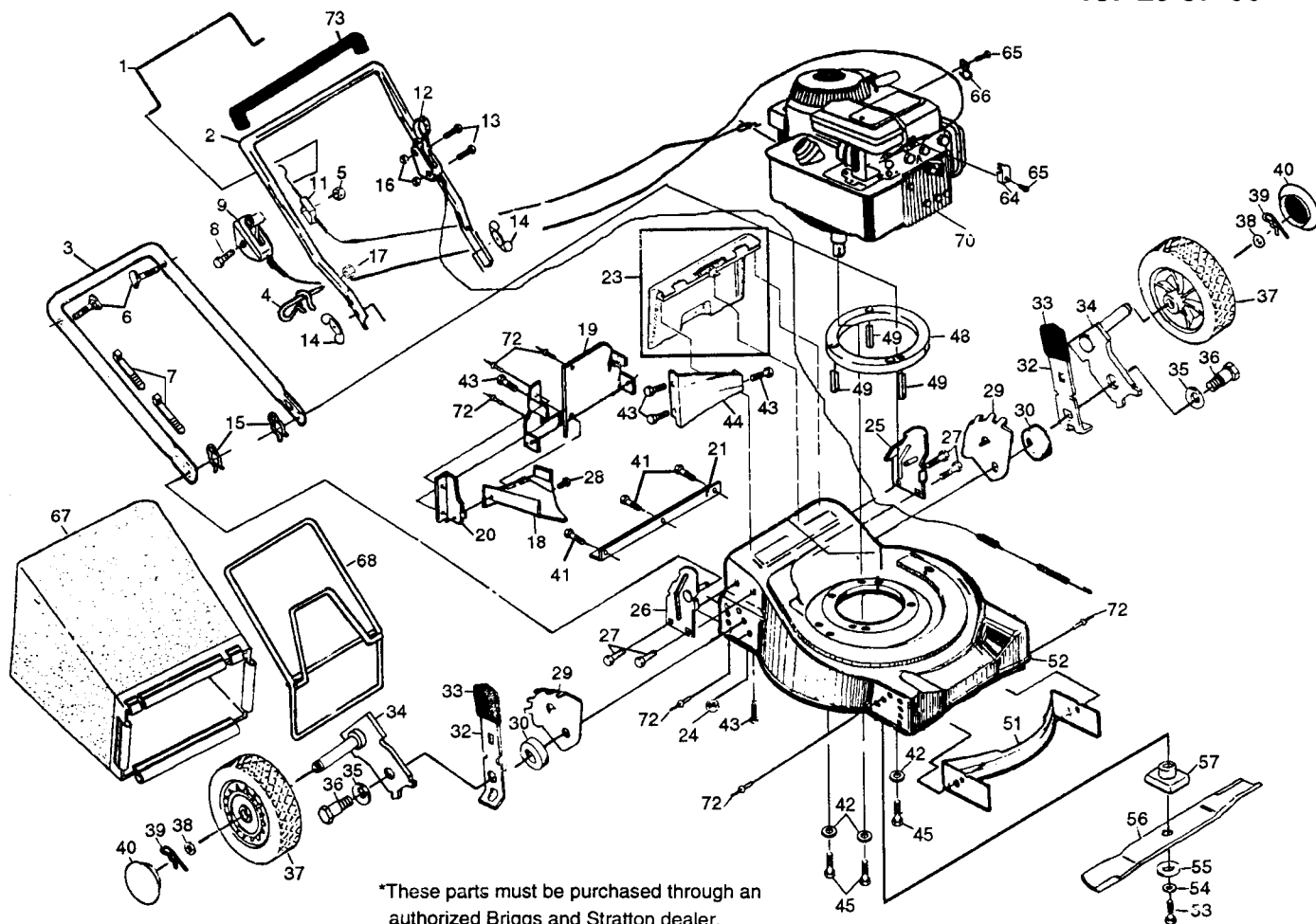




Prod.No: 954 06 88-02 (P150 d Tüv)
 Engine: B & S 98987 Type: 0390 Trim: 01

SPAREPARTS

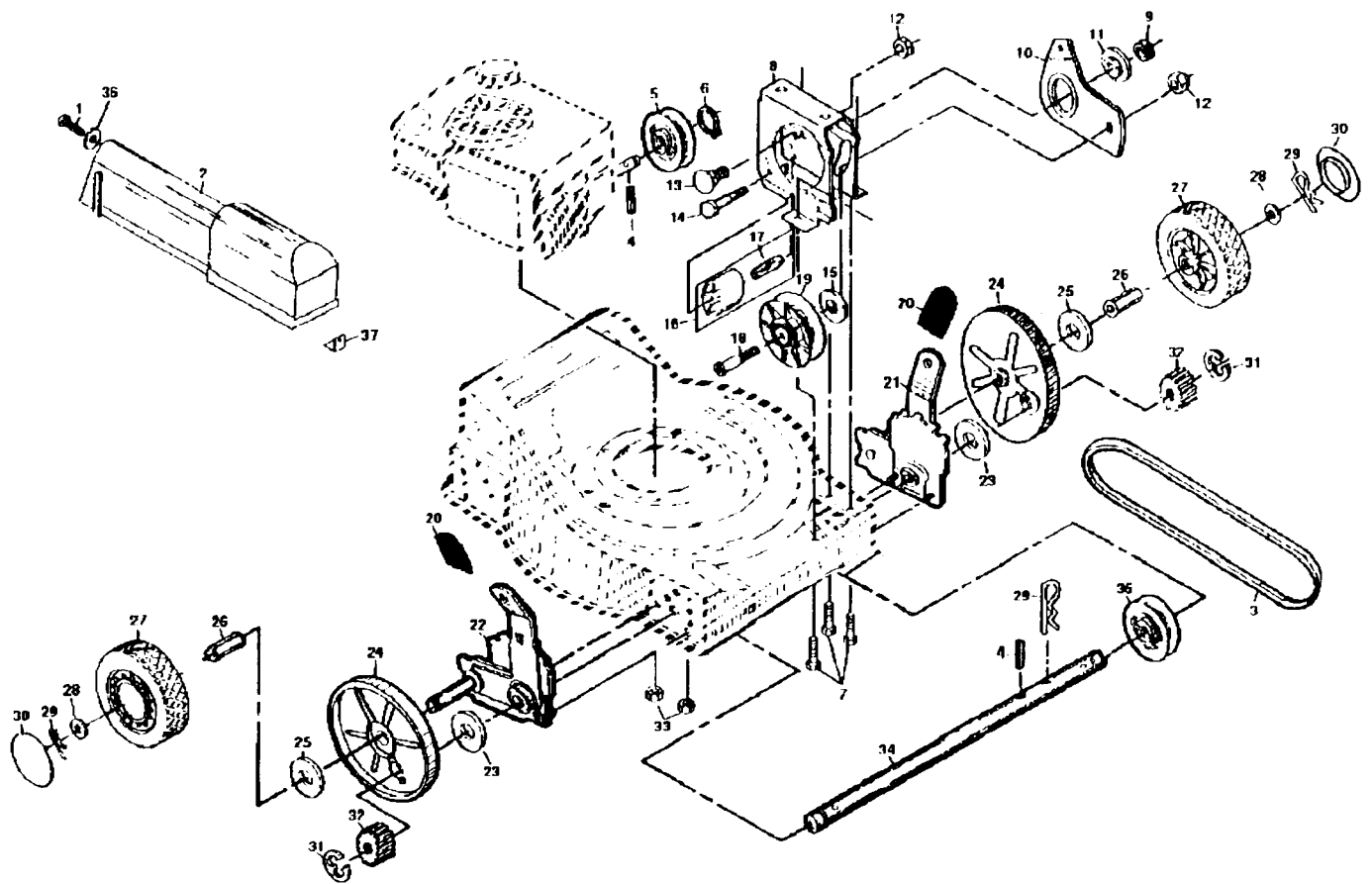
107 25 37-66



*These parts must be purchased through an authorized Briggs and Stratton dealer.

Ref. No.	Part.No.	Description
1	532 13 25-70	Control Bar
2	532 14 14-32	Upper Handle
3	532 12 54-21	Lower Handle
4	532 13 20-01	Rope Guide
5	873 68 04-00	Locknut 1/4-20
6	532 13 19-59	Handle Bolt
7	532 06 64-26	Cable Tie
8	532 14 49-29	Hex Washer Head Screw 1/4-20 x 2.12
9	532 85 14-62	Throttle Control
11	532 13 08-61	Engine Zone Control Cable
12	532 70 27-34	Drive Control Cable
13	532 75 00-29	Pan Head Machine Screw #10-24 x 2
14	532 12 86-38	Wing Nut
15	532 05 17-93	Hairpin Cotter
16	532 06 91-80	Locknut #10-24
17	873 68 04-00	Keys Locknut 1/4-20
18	532 12 53-78	Discharge Baffle
19	532 14 58-54	Back Plate
20	532 13 88-66	Side Baffle
21	532 80 16-02	Plate, Rear
23	532 04 82-57	Rear Door Assembly Kit
24	873 68 06-00	Locknut 3/8-16
25	532 13 88-68	Handle Bracket Assembly (Left)
26	532 13 88-67	Handle Bracket Assembly (Right)
27	532 05 51-87	Screw 5/16-18 x 3/4
28	532 08 63-44	Hex Head Self-tapping Screw #10-24 x 1/2
29	532 13 99-01	Wheel Adjusting Bracket
30	532 08 49-20	Spacer
32	532 12 51-68	Selector Spring
33	532 08 78-77	Selector Knob
34	532 12 51-72	Axle Arm Assembly
35	532 06 23-35	Belleville Washer
36	532 14 27-48	Shoulder Bolt 3/8-16 x 1
37	532 85 09-57	Wheel & Tire Assembly
38	532 05 21-60	Washer

Ref. No.	Part.No.	Description
39	532 08 51-79	Retainer Clip
40	532 07 74-00	Hubcap
41	532 05 54-83	Hex Tapping Screw 1/4-20
42	532 05 39-98	Flat Washer
43	532 05 54-83	Hex Tapping Screw 1/4-20 x 1/2
44	532 12 50-35	Rear Baffle
45	532 85 09-99	Hex Head Thread Rolling Screw 3/8-16 x 2
48	532 85 09-88	Engine Spacer (Includes Key #49)
49	532 85 09-87	Engine Bushing
51	532 14 14-78	Front Baffle
52	532 14 58-61	Housing Assembly (Incl. Ref. #46)
53	532 85 10-84	Hex Head Bolt 3/8-24 x 1-3/8 Grd. 8
54	532 85 02-63	Helical Lock Washer
55	532 85 10-74	Hardened Washer
56	532 85 09-72	20" Blade
57	532 85 15-14	Blade Adapter
64	532 21 31-46	* Cable Clamp
65	532 08 38-16	Screw #10 x 5/8
66	532 08 79-30	Cable Clip
67	532 70 03-71	Grass Bag
68	532 13 34-13	Catcher Frame
70	-----	* Engine - Briggs/Stratton Model No. 96982
72	532 12 84-15	Pop Rivet
73	532 12 97-14	Handle Grip



Key No.	Part No.	Description
1	532 14 19-12	Hex Washer Head Screw #10-24 x 1.13
2	532 70 14-59	Drive Cover
3	532 11 19-24	Drive Belt
4	532 85 19-80	Drive Pawl
5	532 08 80-43	Drive Pulley
6	812 00 00-30	Retaining Ring
7	532 05 45-83	Screw 1/4-20 x 1/2
8	532 12 52-46	Clutch Frame
9	532 05 09-62	Locknut 1/4-20
10	532 14 14-29	Clutch Lever
11	532 08 80-67	Clutch Lever Spacer
12	873 68 05-00	Locknut 5/16-18
13	872 07 05-04	Carriage Bolt 5/16-18 x 1/2
14	874 78 04-24	Hex Head Screw 1/4-20 x 1-1/2
15	532 08 80-69	Spacer
16	532 04 81-60	Idler Assembly (Includes Key No. 17)
17	532 08 58-76	Idler Spacer
18	532 08 85-17	Shoulder Bolt 5/16-18 x 1-3/8
19	532 08 85-16	Idler Pulley

Key No.	Part No.	Description
20	532 08 78-77	Selector Knob
21	532 75 18-09	Selector Assembly (Left)
22	532 75 18-10	Selector Assembly (Right)
23	532 08 81-18	Felt Washer
24	532 08 80-80	Dust Cover
25	532 06 77-25	Washer
26	532 08 84-46	Wheel Bushing
27	532 85 06-90	Wheel & Tire Assembly
28	532 05 21-60	Washer
29	532 08 51-79	Retainer Clip
30	532 07 74-00	Hubcap
31	812 00 00-58	E-Ring
32	532 13 70-54	Pinion
33	873 68 04-00	Locknut 1/4-20
34	532 70 05-37	Drive Shaft
35	532 08 80-82	Driven Pulley
37	532 70 14-77	Push Fastener
--	532 85 20-00	"Clean Under" Decal