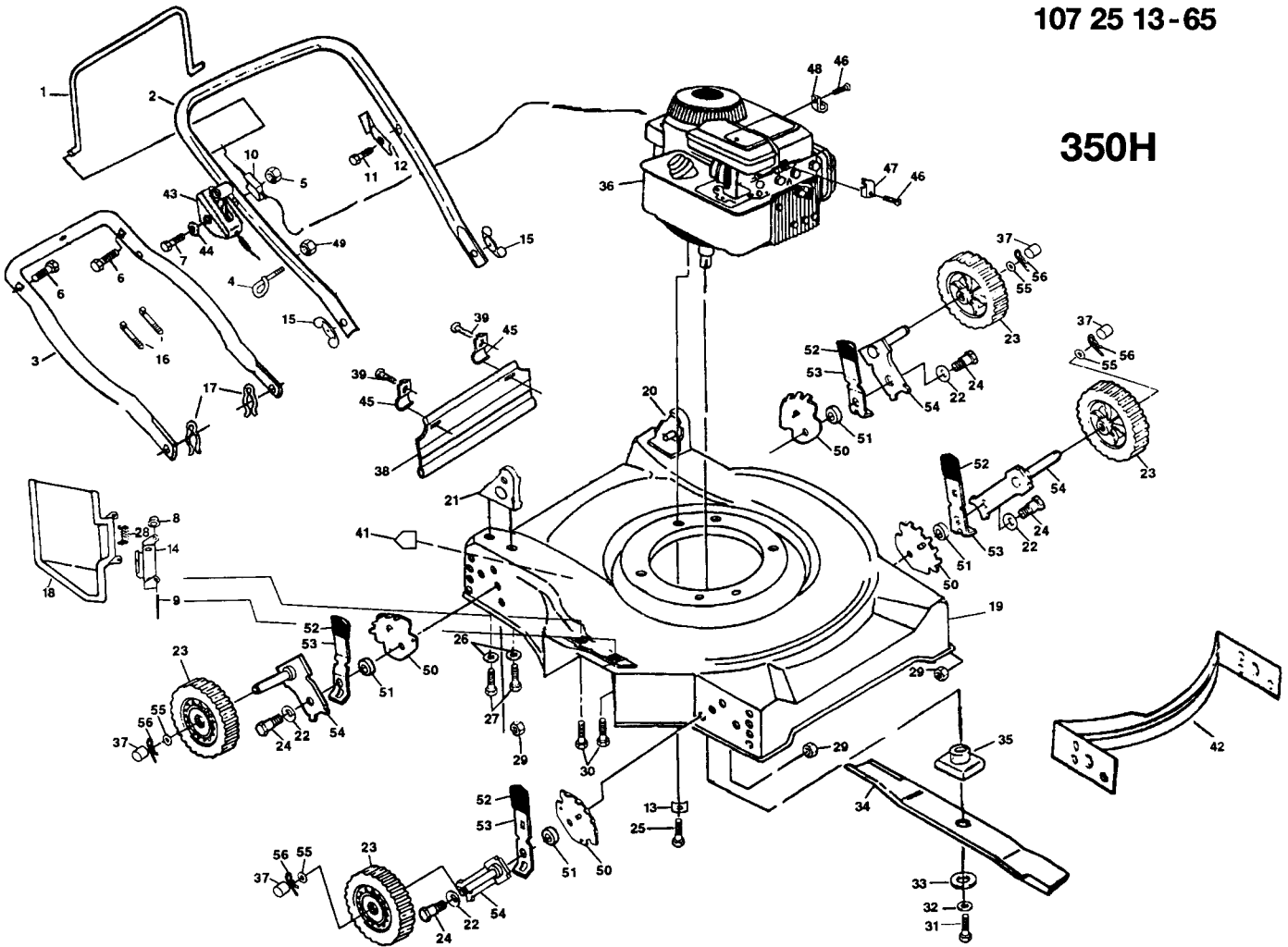




Prod.No: 954 06 89-01
 Engine: B & S 95902 Type: 3117 Trim: 02

SPARE PARTS 107 25 13-65

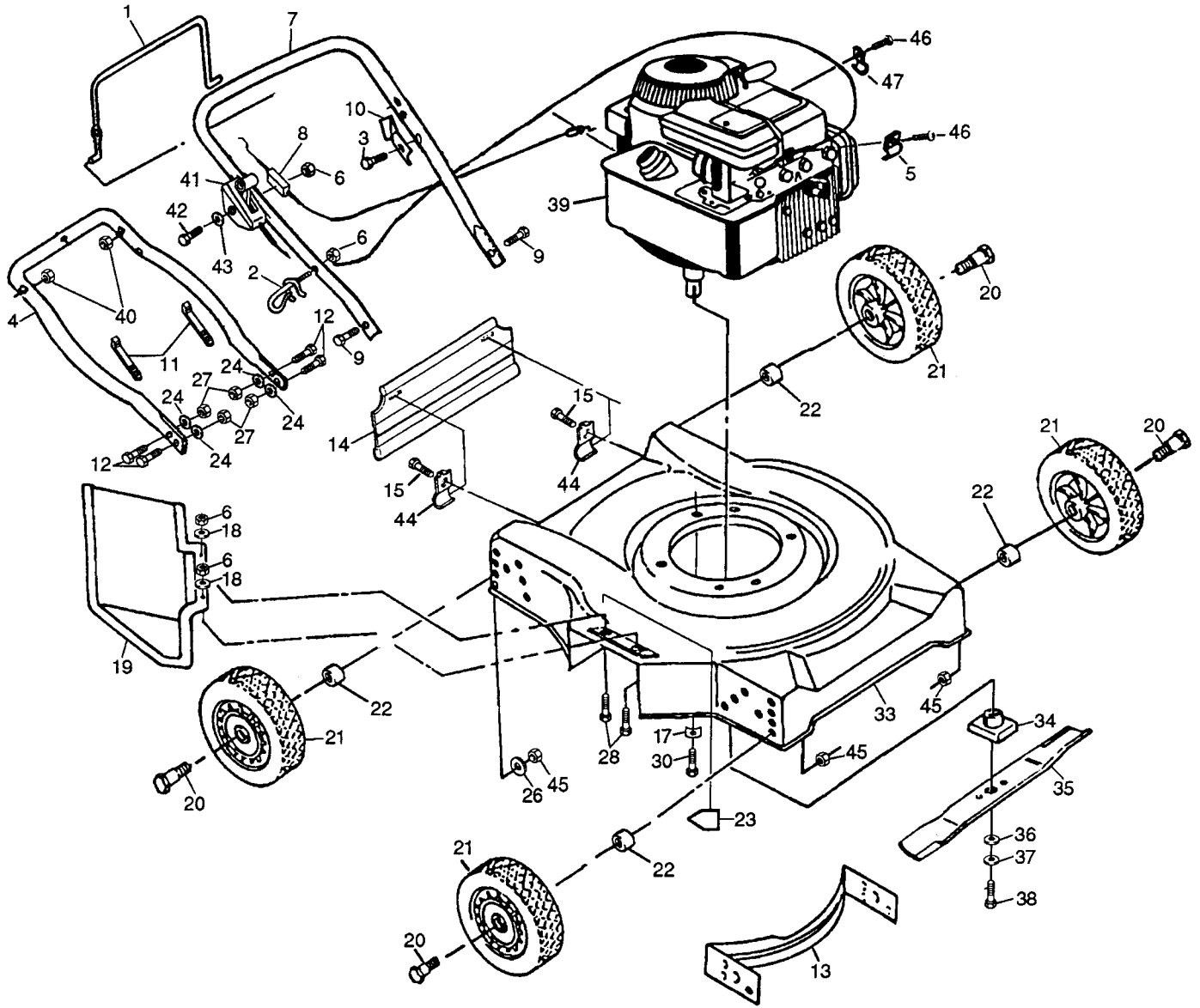
350H



* These parts must be purchased through an authorized Briggs & Stratton dealer.

Key No.	Part No.	Description
1	5320869-02	Control Bar
2	5321253-38	Upper Handle
3	5321252-14	Lower Handle
4	5321320-01	Rope Guide
5	8736804-00	Locknut 1/4-20
6	5321319-59	Handle Bolt 5/16-18 x 1-3/4
7	5320856-92	Machine Screw 1/4-20 x 2.12
8	5320837-31	Push Nut
9	5328017-28	Hinge Rod
10	5321308-61	Engine Zone Control Cable
11	8170210-08	Hex Washer Head Screw #10-24 x 1/2
12	5321251-62	Up-Stop Bracket
13	5321250-78	Engine Washer
14	5321254-17	Hinge Deflector
15	5321286-38	Steel Wingnut 5/16-18
16	5320664-26	Wire Tie
17	5320517-93	Hairpin Cotter
18	5327520-52	Discharge Guard
19	5321414-88	Housing Assembly Kit (Includes #42)
20	5321404-66	Handle Bracket Assembly (Left)
21	5321404-65	Handle Bracket Assembly (Right)
22	5320623-35	Belleville Washer
23	5328000-60	Wheel & Tire Assembly
24	5320849-21	Shoulder Bolt
25	5328509-98	Hex Head Thread Rolling Screw 3/8-16 x 1-1/8
26	5320592-89	Washer
27	5320551-87	Thread Cutting Screw 5/16-18 x 3/4
28	5328518-55	Torsion Spring
29	8736806-00	Locknut 3/8-16
30	5328518-56	Hex Head Bolt 1/4-20 x 3/8
31	5328510-84	Hex Head Screw 3/8-24 x 1-3/8 Gr. 8
32	5328502-63	Helical Lockwasher 3/8

Key No.	Part No.	Description
33	5328510-74	Hardened Washer
34	5328509-72	20" Blade
35	5328509-77	Blade Adapter
36	-----	* Engine - Briggs & Stratton Model No. 95902
38	5327512-28	Rear Skirt
39	8170210-08	Hex Washer Head Screw #10-24 x .50
41	5321073-39	Decal, Danger
42	5321415-19	Front Baffle
44	5321415-20	Rear Baffle (Not shown)
43	5328514-62	Throttle Control
44	5320857-23	Washer
45	5321252-07	Skirt Brackets
46	5320838-16	Screw #10
47	5322131-46	* Clamp
48	8730879-30	Throttle Clip
49	8736804-00	Keys Locknut
50	5321399-01	Wheel Adjusting Bracket
51	5320849-20	Spacer
52	5320878-77	Selector Knob
53	5321251-68	Selector Spring
54	5321251-72	Axle Arm Assembly
55	5320521-60	Washer
56	5320851-79	Retainer Clip
--	5327010-07	Operator's Manual (Sandinavian)
--	5327010-06	Operator's Manual (European)
--	5321413-34	Decal, Housing
--	5327006-96	Decal, Warning
--	5328001-97	Decal, Noise Level
--	5328010-36	Decal, Danish Importer



Key No.	Part No.	Description	Key No.	Part No.	Description
1	5320869-02	Control Bar	28	8747604-12	Hex Head Bolt 1/4-20 x 3/4
2	5321320-01	Rope Guide	30	5328509-98	Hex Head Thread Rolling Screw 3/8-16 x 1
3	8170210-08	Hex Washer Head Self-tapping Screw #10-24 x 1/2	33	5327011-05	Housing
4	5321254-63	Lower Handle	34	5328509-77	Blade Adapter
5	5322131-46	* Cable Clamp (Engine)	35	5328509-72	Blade 20"
6	8736804-00	Locknut 1/4-20	36	5328510-74	Washer (Hardened)
7	5321254-64	Upper Handle	37	5328502-63	Helical Lock Washer
8	5328518-09	Engine Zone Control Cable	38	5328510-84	Hex Head Machine Screw 3/8-24 x 1-3/8 Gr. 8
9	8743504-24	Hex Head Bolt 1/4-20 x 1-1/2	39	-----	* Engine, Briggs & Stratton , Model No. 95902
10	5321251-62	Up-Stop Bracket	40	8732204-00	Hex Nut 1/4-20
11	5320664-26	Wire Tie	41	5321319-22	Throttle Cable STD
12	5321370-09	Hex Head Bolt 3/8-16 x 1	42	5320856-92	Machine Screw 1/4-20 x 2.12
13	5321383-48	Front Baffle	43	5320857-23	Flat Washer
14	5327512-28	Rear Skirt	44	5321252-07	Skirt Bracket
15	8170210-08	Self-tapping Screw #10-24 x 1/2	45	8736806-00	Locknut 5/8- 16
17	5321250-78	Engine Washer	46	5320838-16	Screw #10 x 5/8
18	5320538-47	Flat Washer	47	5320879-30	Throttle Cable Clip
19	5327520-52	Discharge Guard	--	5327010-07	Operator's Manual (Scand.)
20	5320676-09	Shoulder Bolt	--	5327010-06	Operator's Manual (Euro.)
21	5328000-60	Wheel Assembly	--	5328001-97	Decal Noise Level
22	5321366-24	Spacer Washer	--	5321319-23	Decal Housing "Partner"
23	5321073-39	Danger Decal	--	5328011-13	Decal Warning Var. 01
24	5320556-11	Washer	--	5328006-39	Decal Warning Var. 01
26	7341172-01	Washer	--	5328010-36	Decal Danish Importer
27	5321320-10	Flange Locknut 3/8-16			