



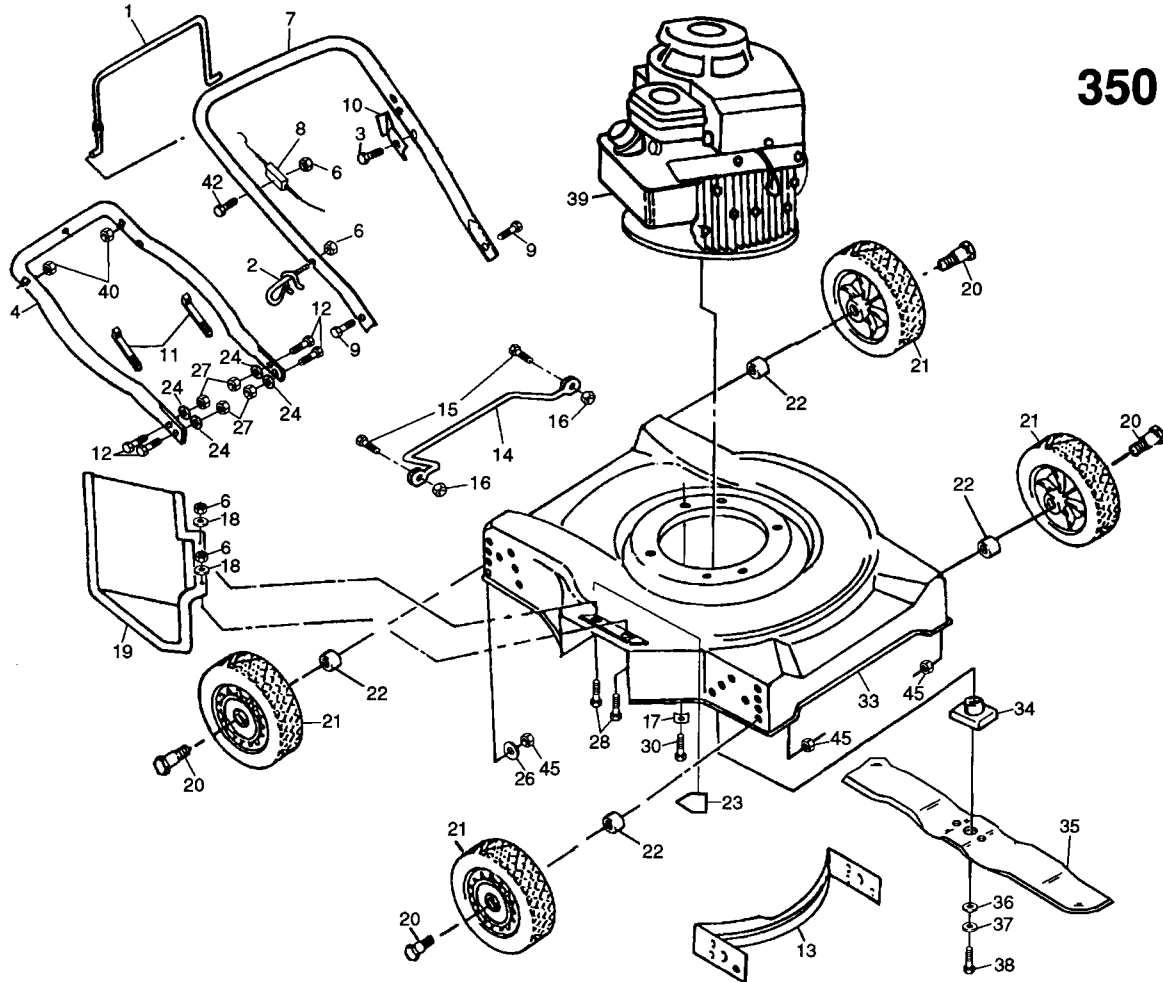
Prod.No: 350 954 06 77-02 / 350H 954 06 89-01

Engine: B & S 95902 Type: 3168 Trim: 02

SPAREPARTS

107 25 13-67

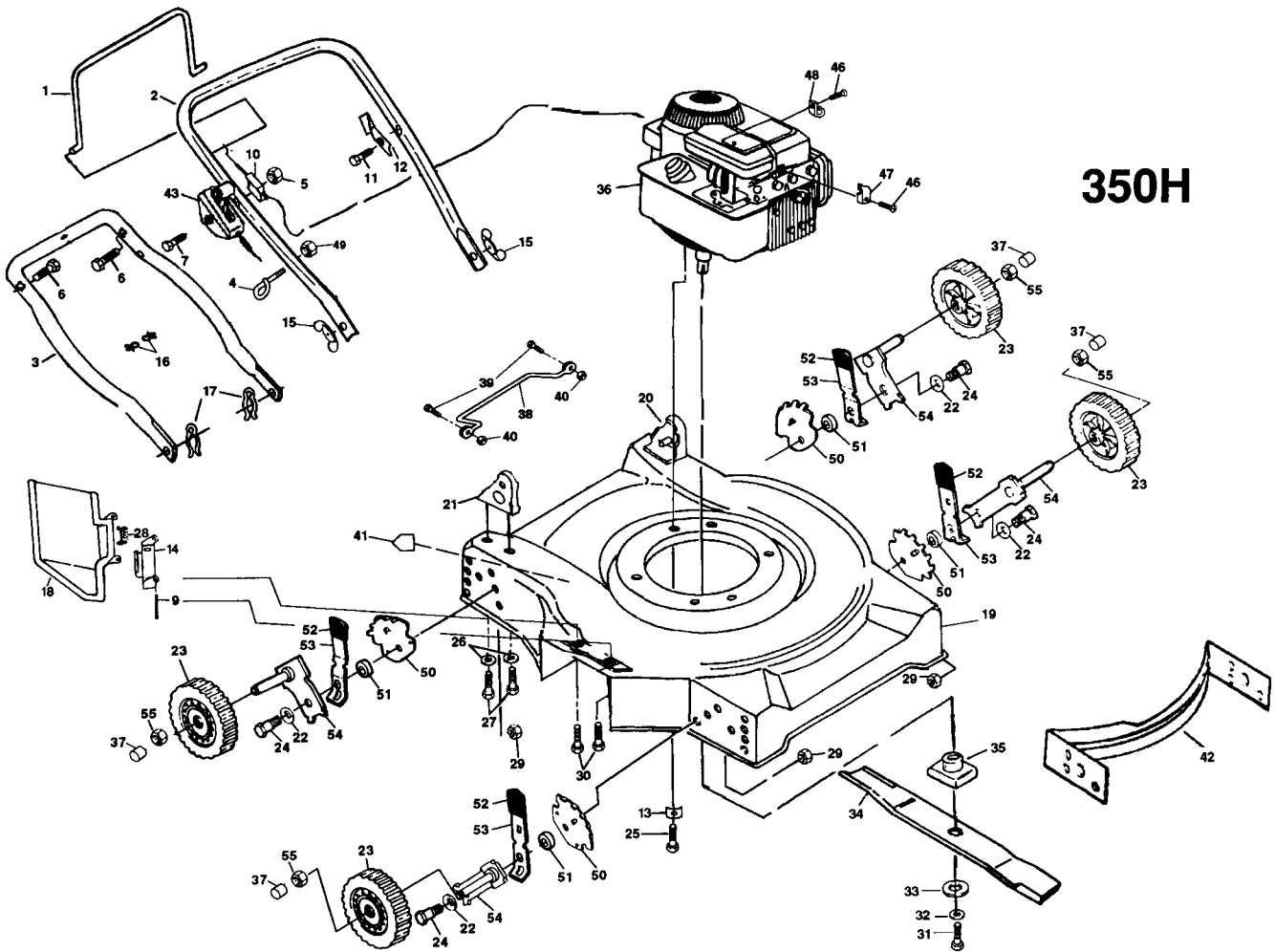
350



* These Parts must be purchased through an authorized Briggs & Stratton Dealer.

Ref. No.	Part No.	Description	Ref. No.	Part No.	Description
1	532 08 69-02	Control Bar	33	532 14 58-88	Housing
2	532 13 20-01	Rope Guide	34	532 85 09-77	Blade Adapter
3	817 02 10-08	Hex washer Head Self-tapping Screw #10-24 x 1/2	35	531 02 01-34	Blade 20"
4	532 12 54-63	Lower Handle	36	531 85 10-74	Washer (Hardened)
6	873 68 04-00	Locknut 1/4-20	37	532 85 02-63	Helical Lock Washer
7	532 12 54-64	Upper Handle	38	532 85 10-84	Hex Head Machine Screw 3/8-24 x 1-3/8 Gr. 8
8	532 85 18-09	Engine Zone Control Cable	39	-----	* Engine, Briggs & Stratton
9	874 35 04-24	Hex Head Bolt 1/4-20 x 1-1/2	40	873 22 04-00	Hex Nut 1/4-20
10	532 12 51-62	Up-Stop Bracket	42	874 35 04-24	Machine Screw 1/4-20 x 1-1/2
11	532 06 64-26	Wire Tie	45	873 68 06-00	Locknut 5/8-16
12	874 78 06-16	Hex Head Bolt 3/8-16 x 1	--	532 14 58-58	Operator's Manual (Scand.)
13	532 14 15-19	Front Baffle	--	532 14 58-57	Operator's Manual (Euro.)
14	532 80 15-42	Foot Guard			
15	532 08 58-25	Screw			
16	532 06 91-80	Nut			
17	532 12 50-78	Engine Washer			
18	532 05 38-47	Flat Washer			
19	532 75 20-52	Discharge Guard			
20	532 06 76-09	Shoulder Bolt			
21	532 80 00-60	Wheel Assembly			
22	532 13 66-24	Spacer Washer			
23	532 14 54-94	Danger Decal			
24	532 05 56-11	Washer			
26	532 06 15-37	Washer			
27	532 13 20-10	Flange Locknut 3/8-16			
28	874 76 04-12	Hex Head Bolt 1/4-20 x 3/4			
30	532 15 04-06	Hex Head Thread Rolling Screw 3/8-16 x 1			

350H



* These Parts must be purchased through an authorized Briggs & Stratton Dealer.

Ref. No.	Part No.	Description	Ref. No.	Part No.	Description
1	532 13 16-96	Control Bar	31	532 85 10-84	Hex Head Screw 3/8-24 x 1-3/8 Gr. 8
2	532 15 34-07	Upper Handle	32	532 85 02-63	Helical Lockwasher 3/8
3	532 15 34-06	Lower Handle	33	532 85 10-74	Hardened Washer
4	532 13 20-01	Rope Guide	34	531 02 01-34	20" Blade
5	873 68 04-00	Locknut 1/4-20	35	532 85 09-77	Blade Adapter
6	532 13 19-59	Handle Bolt 5/16-18 x 1-3/4	36	-----	* Engine-Briggs & Stratton Model No. 95902
7	532 08 56-92	Machine Screw 1/4-20 x 2.12	38	532 80 15-42	Foot Guard
9	532 15 02-15	Hinge Rod	39	817 02 10-08	Screw
10	532 13 08-61	Engine Zon Control Cable	41	532 14 54-94	Decal, Danger
11	817 02 10-08	Hex Washer Head Screw #10-24 x 1/2	42	532 14 15-19	Front Baffle
12	532 12 51-22	Up-Stop Bracket	--	532 14 15-20	Rear Baffle (Not shown)
13	532 12 50-78	Engine Washer	49	873 51 04-00	Keys Locknut
14	532 08 86-02	Hinge Deflector	50	532 13 99-01	Wheel Adjusting Bracket
15	532 12 86-38	Steel Wingnut 5/16-18	51	532 14 66-30	Spacer
16	532 15 15-17	Wire Tie	52	532 08 78-77	Selector Knob
17	532 05 17-93	Hairpin Cotter	53	532 14 17-30	Selector Spring
18	532 75 20-52	Discharge Guard	54	532 14 98-57	Axle Arm Assembly
19	532 15 36-90	Housing Assembly Kit (Includes #42)	55	532 08 39-23	Nut
20	532 15 30-27	Handle Bracket Assembly (Left)	--	532 15 36-86	Operator's Manual (Scandinavian)
21	532 15 30-26	Handle Bracket Assembly (Right)	--	532 15 36-84	Operator's Manual (European)
22	532 06 23-35	Belleville Washer			
23	532 80 00-60	Wheel & Tire Assembly			
24	532 14 27-48	Shoulder Bolt			
25	532 15 04-06	Hex Head Thread Rolling Screw 3/8-16 x 1-1/8			
27	532 14 97-41	Thread Cutting Screw 5/16-18 x 3/4			
28	532 85 18-55	Torsion Spring			
29	873 68 06-00	Locknut 3/8-16			
30	532 85 18-56	Hex Head Bolt 1/4-20 x 3/8			