

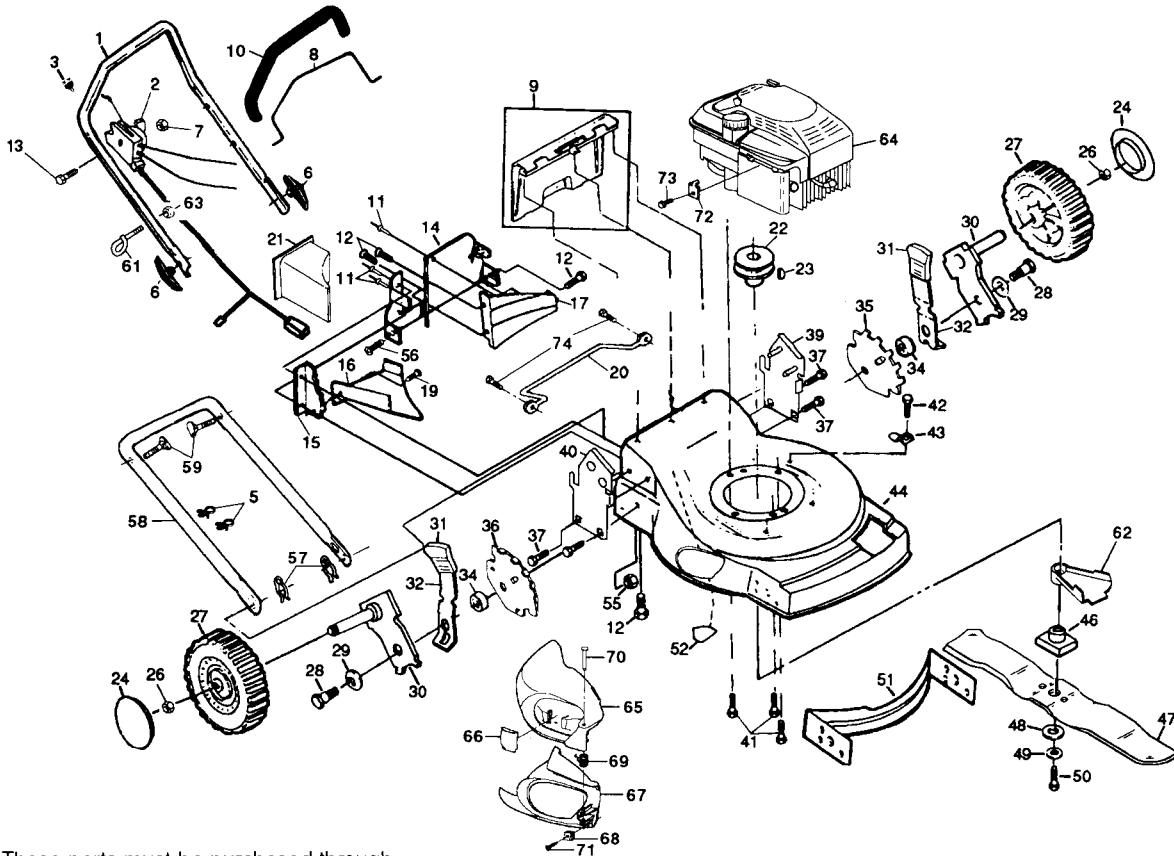


Prod.No: 954 07 07-01

Engine: B & S 128807 Type: 1525 Trim: 21

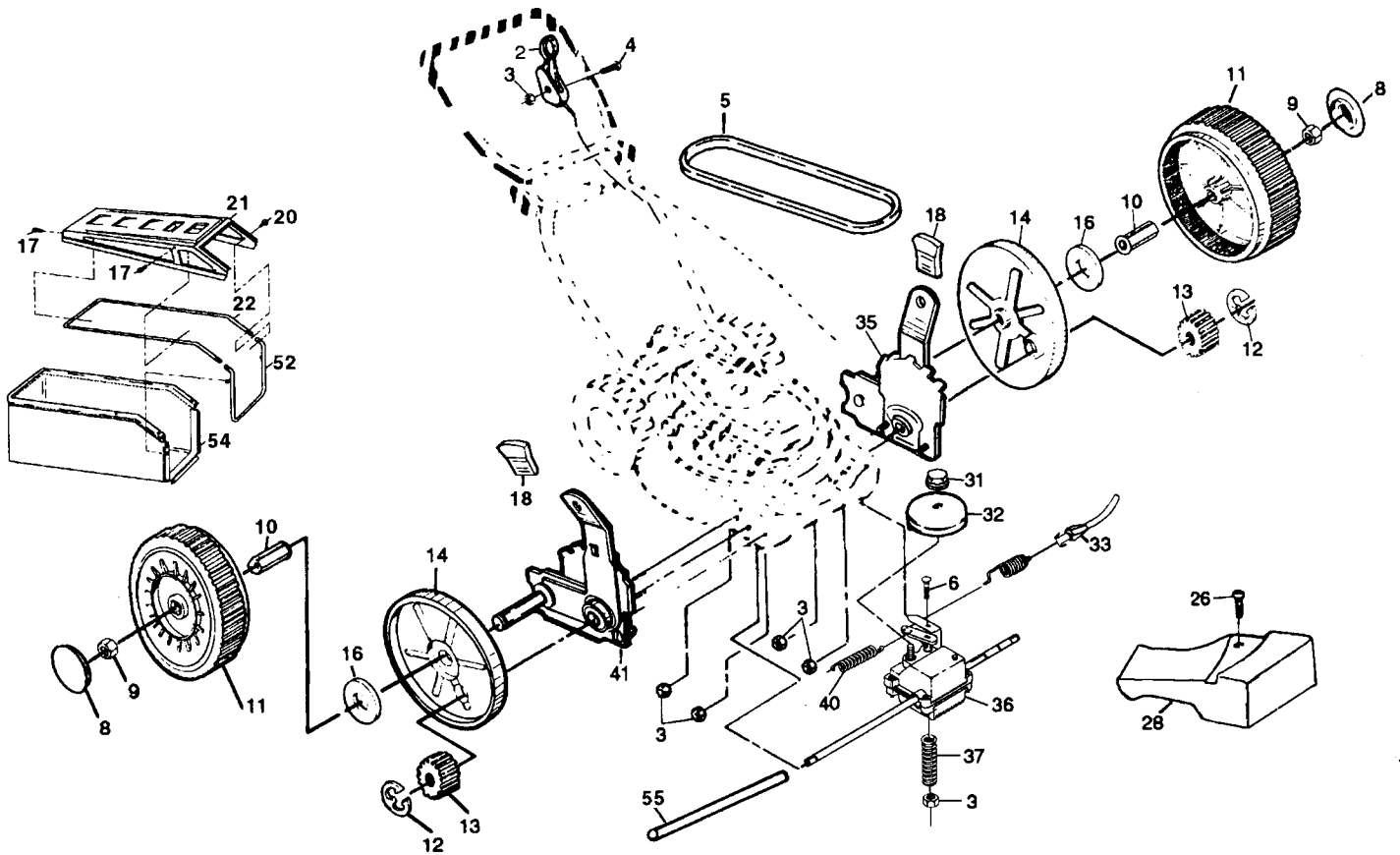
SPAREPARTS

107 26 55-62

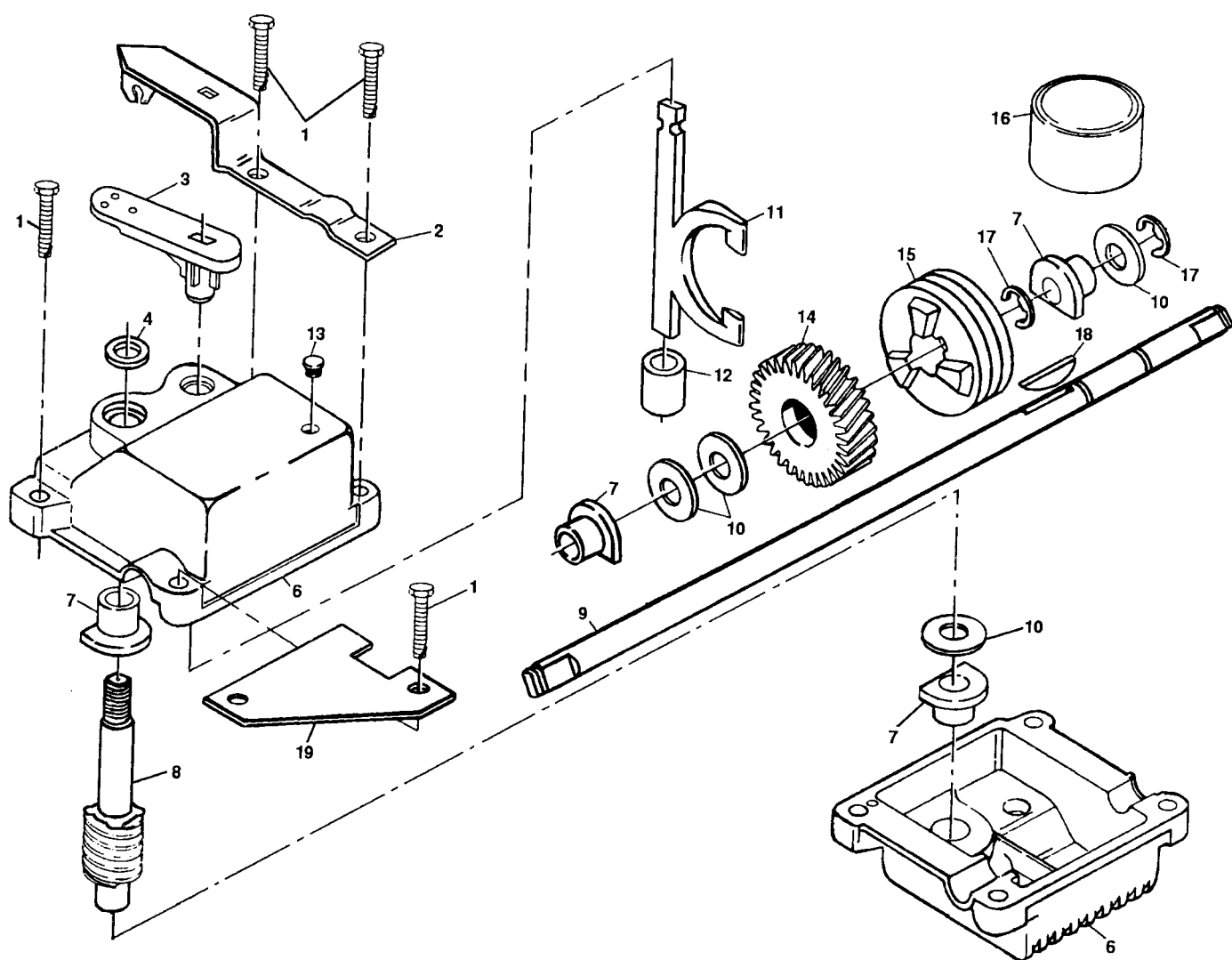


*These parts must be purchased through an authorized Briggs & Stratton dealer.

Key No.	Part No.	Description	Key No.	Part No.	Description
1	532 15 34-19	Upper Handle	39	532 15 34-16	Handle Bracket Assembly (Left)
2	532 14 89-81	Engine Control	40	532 15 34-15	Handle Bracket Assembly (Right)
3	516 84 46-00	key, Molded, Generic	41	874 78 06-16	Hex Head Thread Rolling Screw 3/8-16 x 1-1/8
5	532 15 15-17	Cable Clip	42	817 02 10-08	Hex Washer Head Screw #10-24 x 1/2
6	532 13 63-76	Handle Knob	43	532 08 79-30	Guide Clip
7	873 68 04-00	Locknut 1/4-20	44	532 15 24-23	Lawn Mower Housing (Incl. Key #14, 15, 51 & 52)
8	532 14 57-94	Control Bar	46	532 85 15-14	Blade Adapter
9	532 14 76-15	Rear Door Kit	47	532 14 11-14	Blade 22"
10	532 85 07-24	Handle Grip	48	532 85 10-74	Hardened Washer
11	532 12 84-15	Pop Rivets	49	532 85 02-63	Helical Washer 3/8-24 x 1-3/8 Grd. 8
12	532 05 45-83	Hex Tapping Screw 1/4-20 x 1/2	50	532 85 10-84	Hex Head Machine Screw 3/8-24 x 1-3/8 Grd. 8
13	532 14 49-29	Screw	51	532 14 89-02	Front Baffle
14	532 14 89-45	Back Plate	55	873 68 06-00	Locknut 3/8-16
15	532 13 88-60	Side Baffle	56	532 08 86-52	Hinge Screw
16	532 12 53-76	Discharge Baffle	57	532 05 17-93	Hairpin Cotter
17	532 14 89-41	Rear Baffle	58	532 15 34-18	Lower Handle
19	532 15 00-15	Screw	59	532 13 19-59	Handle Bolt
20	532 14 76-25	Foot Guard	61	532 13 20-01	Rope Guide
21	532 15 04-25	Mulcher Plug	62	532 13 46-12	Debris Shield
22	532 08 45-96	Engine Pulley	63	873 68 04-00	Hex Nut
23	532 08 76-77	Hi-Pro Key #505			* Engine - Briggs & Stratton Model No. 128807
24	532 80 05-44	Hubcap	65	532 70 14-58	Door
26	532 08 39-23	Locknut	66	532 14 65-95	Door Latch
27	532 14 62-47	Wheel & Tire Assembly	67	532 70 28-07	Side Discharge Guard
28	532 14 27-48	Shoulder Bolt 3/8-16	68	532 14 18-39	Speed Nut
29	532 06 23-35	Belleville Washer	69	532 70 28-08	Hinge Spring
30	532 15 12-54	Axle Arm Assembly	70	532 70 28-09	Hinge Rod
31	532 13 28-00	Selector Knob	71	532 14 18-41	Screw
32	532 12 50-66	Selector Spring	72	532 21 31-46	* Cable Clamp
34	532 14 66-30	Spacer	73	532 08 38-16	Screw
35	532 14 78-52	Wheel Adjusting Bracket (Left)	74	532 14 66-94	Screw
36	532 14 78-51	Wheel Adjusting Bracket (Right)	---	532 14 89-79	Operator's Manual (Euro)
37	532 05 51-87	Thread Cutting Screw 5/16-18 x 3/4	---	532 14 89-80	Operator's Manual (Scan)

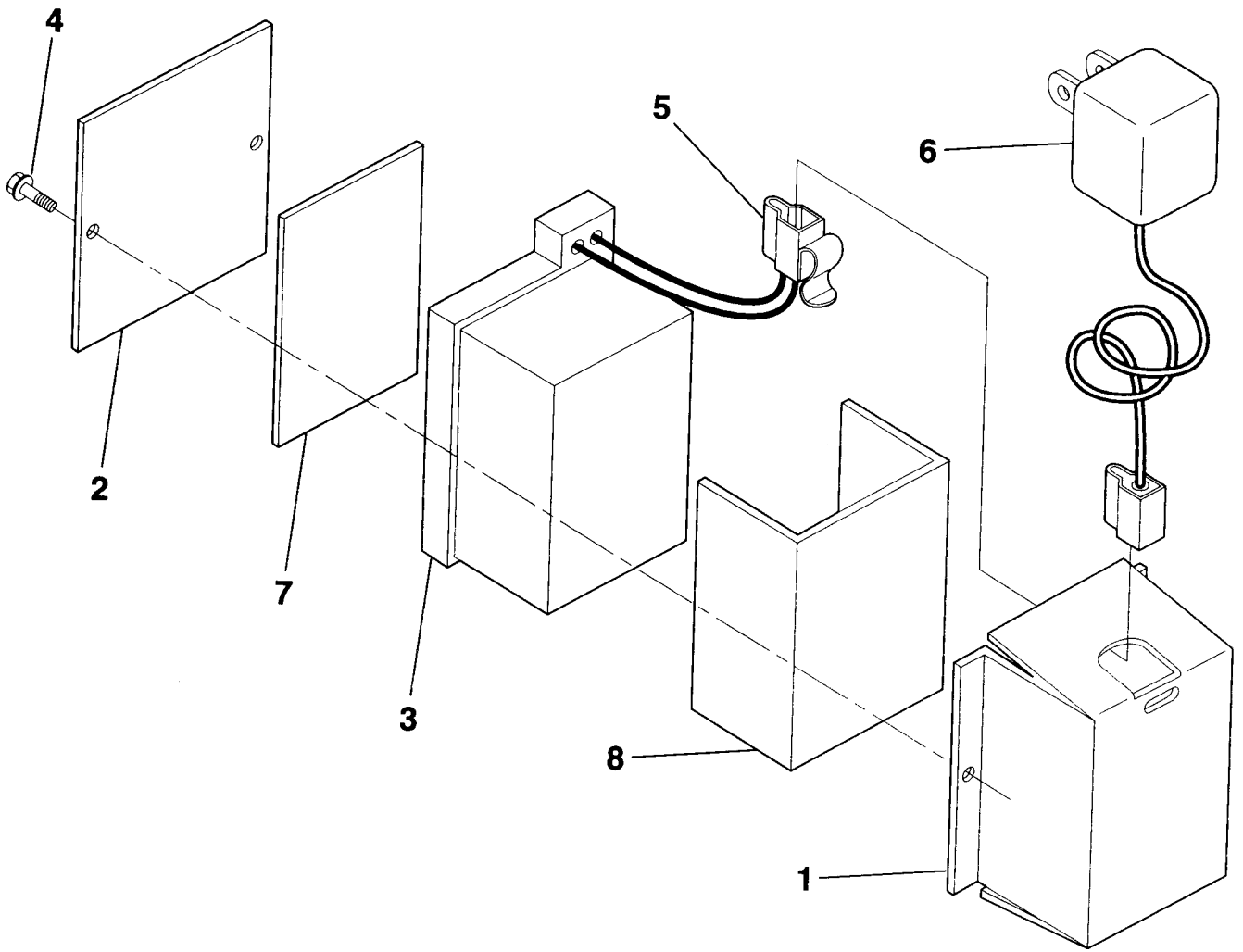


Key No.	Part No.	Description	Key No.	Part No.	Description
2	532 14 63-23	Drive Control	26	532 14 36-03	Hex Washer Head Tapping Screw #10-24
3	873 68 04-00	Locknut #10-24	28	532 70 28-06	Drive Cover
4	532 14 49-29	Hex Washer Head Screw #10-24 x 2.12	31	532 13 20-10	Hex Flange Nut
5	532 14 65-27	V-Belt	32	532 13 70-52	Drive Pulley
6	532 70 08-75	Carriage Bolt 1/4-20 x 2-3/4	35	532 15 24-25	Wheel Adjuster Assembly (Left)
8	532 80 05-44	Hubcap	36	532 70 25-11	Gear Case Assembly
9	532 14 52-12	Locknut	37	532 14 64-67	Spring
10	532 08 84-46	Nylon Bushing	40	532 07 51-92	Spring
11	532 70 09-53	Wheel & Tire Assembly	41	532 15 24-24	Wheel Adjuster Assembly (Right)
12	812 00 00-58	E-Ring	52	532 85 17-35	Catcher Frame
13	532 13 70-54	Pinion	54	532 14 78-56	Grassbag Assembly
14	532 08 80-80	Dust Cover	55	532 08 60-12	Driveshaft Cover
16	532 06 77-25	Washer 1/2 x 1-1/2 x .134			
17	532 13 10-29	Self Tapping Screw #10-24 x .625			
18	532 13 28-00	Selector Knob			
20	532 75 06-34	Tapping Screw			
21	532 85 17-39	Top Grassbag			
22	532 85 16-58	Frame Tube			



Key No.	Part No.	Description	Key No.	Part No.	Description
1	817 49 04-16	Tapping Screw 1/4-20 x 1-1/4	11	532 13 14-84	Clutch Yoke
2	532 14 02-69	Engagement Bracket	12	532 70 03-43	Bushing
3	532 13 70-53	Shifter	13	532 08 64-47	Plug
4	532 05 70-72	Seal	14	532 13 70-50	Helical Gear
6	532 04 83-73	Gear Case Halves Kit (Includes Key Nos. 4, 5, and 7)	15	532 75 04-36	Clutch Jaw
7	532 07 78-81	Bearing	16	532 75 03-55	Grease
8	532 13 70-51	Worm Shaft	17	812 00 00-03	E-Ring
9	532 13 70-74	Drive Shaft	18	532 85 08-48	Hi-Pro Key
10	532 05 70-79	Hardened Washer	19	532 12 54-41	Spring Bracket

NOTE: All component dimensions given in U.S. inches.
1 inch = 25.4 mm



Key No.	Part No.	Description
1	532 12 52-86	Battery Bracket
2	532 12 52-87	Battery Cover
3	532 75 09-09	Battery
4	817 02 10-08	Hex Washer Head Screw #10-24 x 1/2
5	532 08 63-53	Connector Mounting Clip
6	532 13 00-24	Battery Charger
7	532 08 66-49	Battery Pad
8	532 13 48-61	Battery Wrap