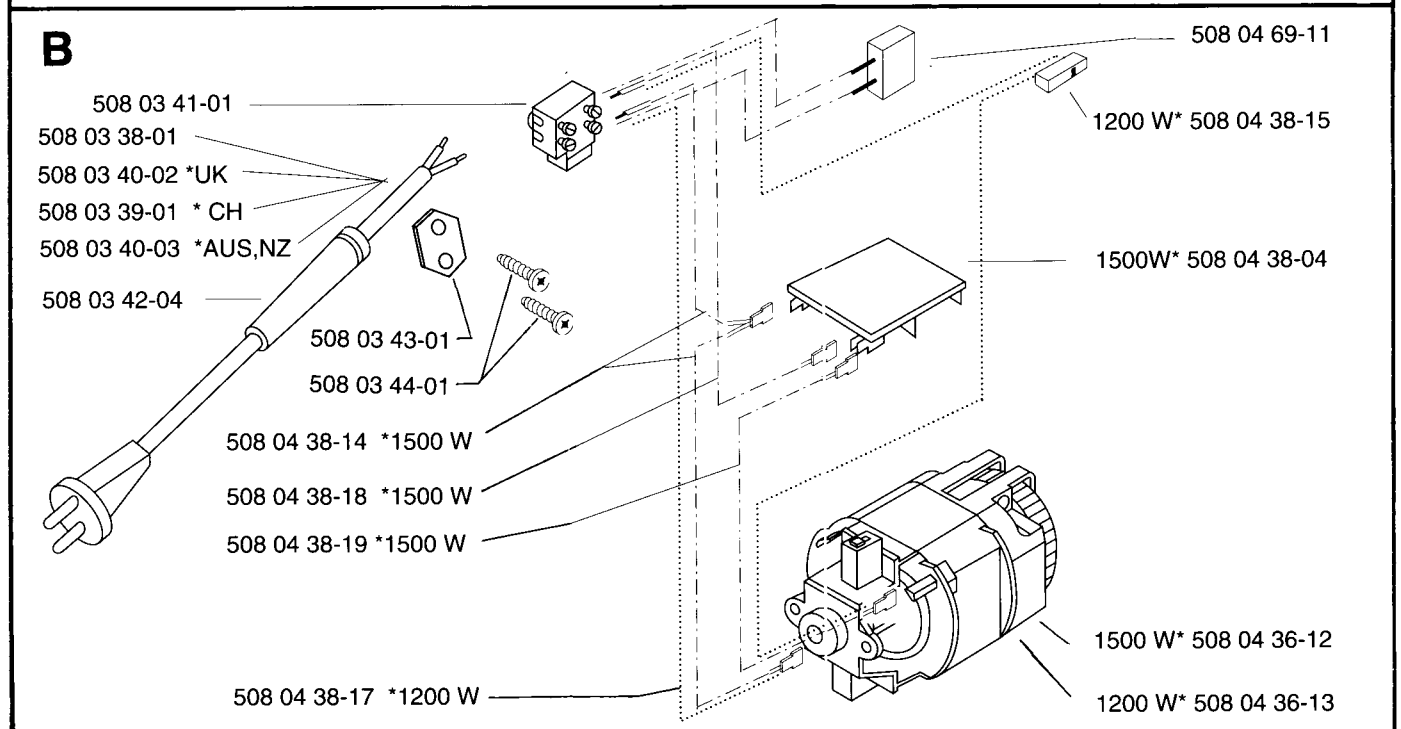
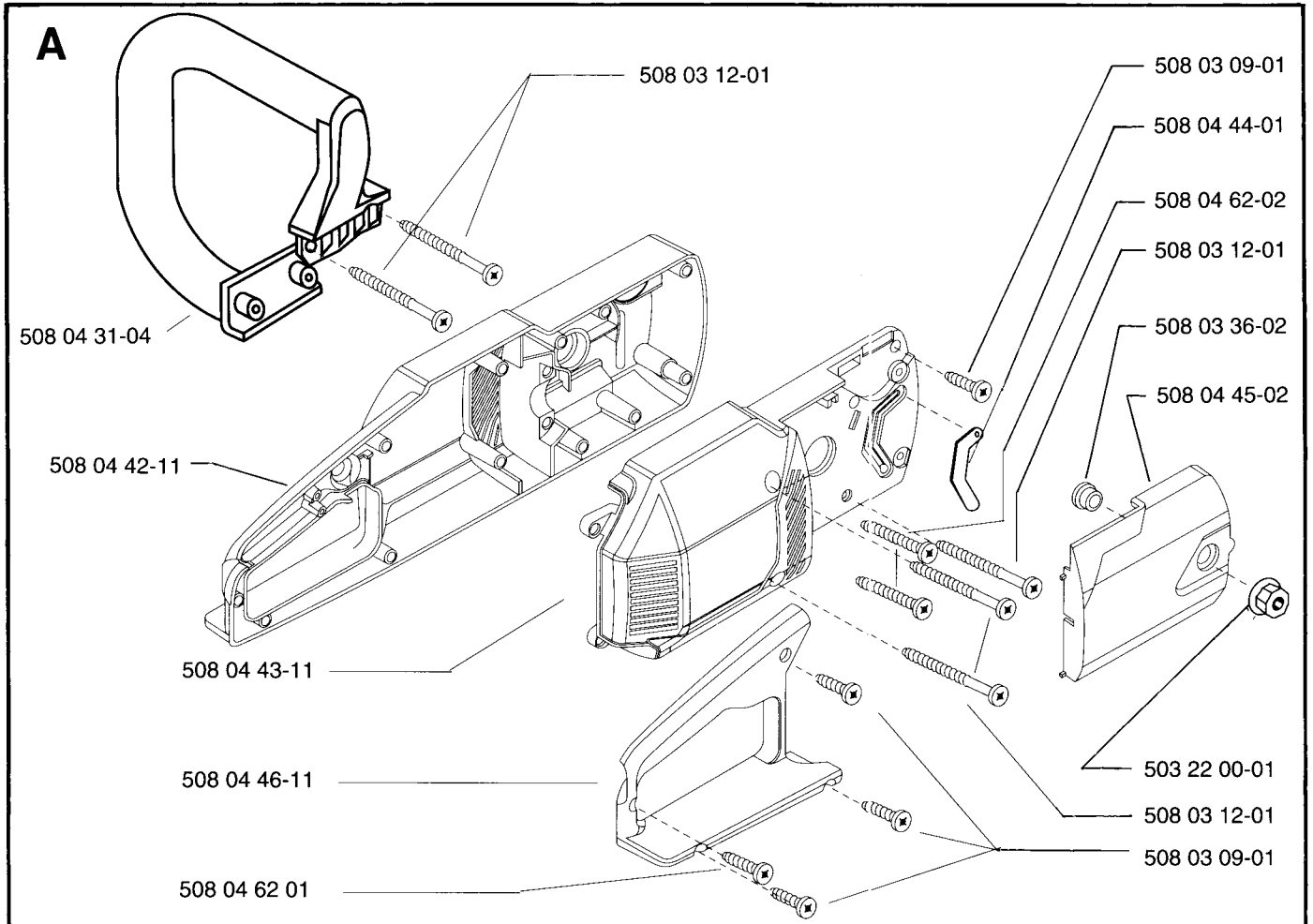


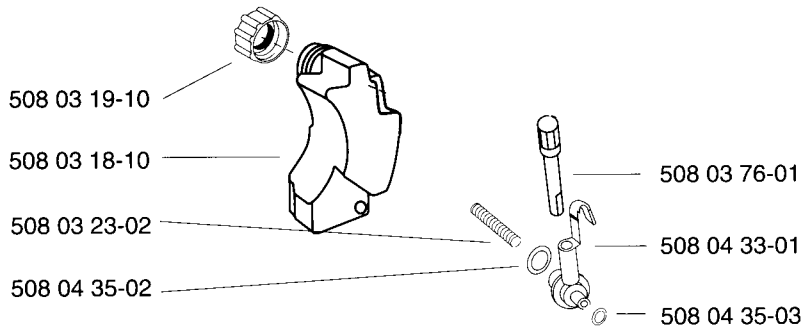
## SPAREPARTS

107 25 94-61



MODEL NUMBER 1200/1500

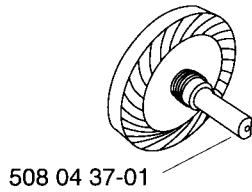
**C**



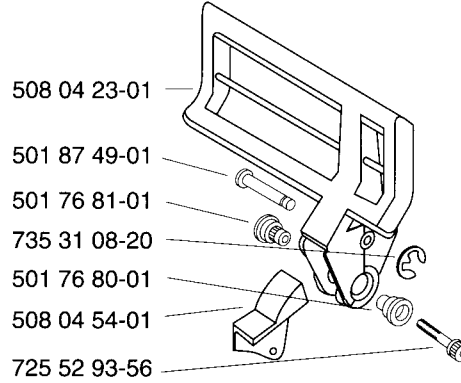
PARTNUMBER SQUARE NOTE

501 53 73-01	F
501 76 80-01	E
501 76 81-01	E
501 87 49-01	E
501 87 53-01	F
503 22 00-01	A
508 03 09-01	A,F
508 03 11-01	F
508 03 12-01	A,F
508 03 18-10	C

**D**

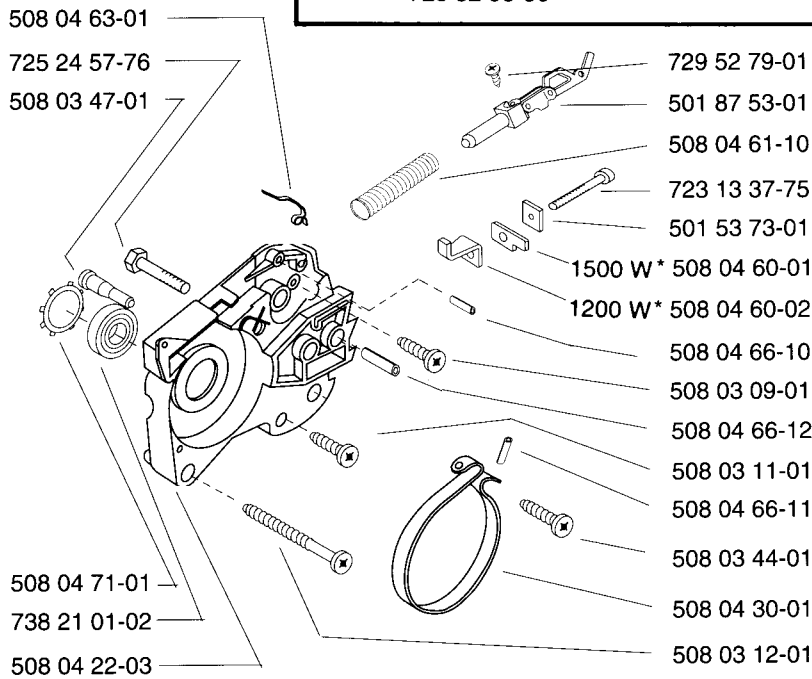


**E**



508 03 19-10	C
508 03 23-02	C
508 03 36-02	A
508 03 38-01	B
508 03 39-01	B
508 03 40-02	B
508 03 40-03	B
508 03 41-01	B
508 03 42-04	B
508 03 43-01	B

**F**

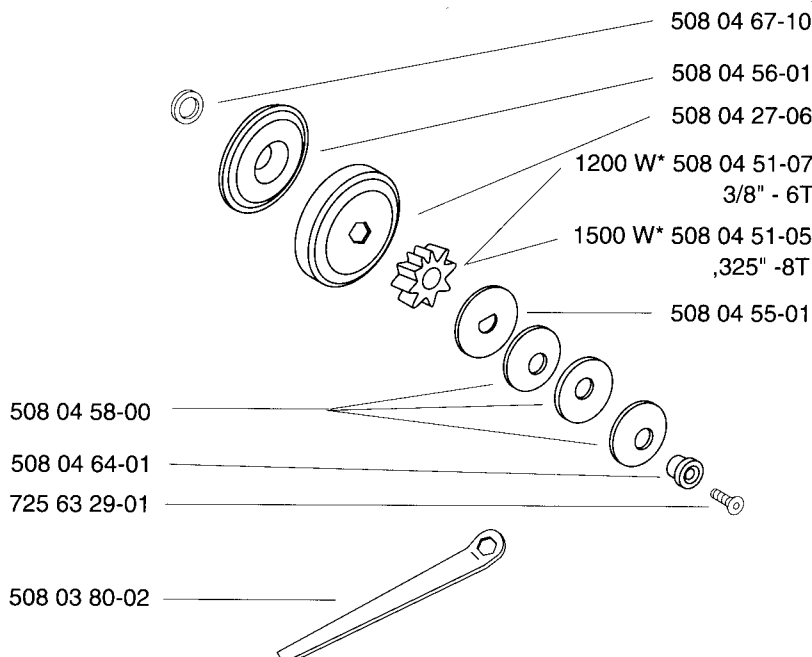


508 03 44-01	B,F
508 03 47-01	F
508 03 76-01	C
508 03 80-02	G
508 04 22-03	F
508 04 23-01	E
508 04 27-06	G
508 04 30-01	F
508 04 31-04	A
508 04 33-01	C

508 04 35-02	C
508 04 35-03	C
508 04 36-12	B
508 04 36-13	B
508 04 37-01	D
508 04 38-04	B
508 04 38-14	B
508 04 38-15	B
508 04 38-17	B
508 04 38-18	B

508 04 38-19	B
508 04 42-11	A
508 04 43-11	A
508 04 44-01	A
508 04 45-02	A
508 04 46-11	A
508 04 51-05	G
508 04 51-07	G
508 04 54-01	E
508 04 55-01	G

**G**



508 04 56-01	G
508 04 58-00	G
508 04 60-01	F
508 04 60-02	F
508 04 61-10	F
508 04 62-01	A
508 04 62-02	A
508 04 63-01	F
508 04 64-01	G
508 04 66-10	F

508 04 66-11	F
508 04 66-12	F
508 04 67-10	G
508 04 69-11	B
508 04 71-01	F
723 13 37-75	F
725 24 57-76	F
725 52 93-56	E
725 63 29-01	G
729 52 79-01	F

735 31 08-20	E
738 21 01-02	F