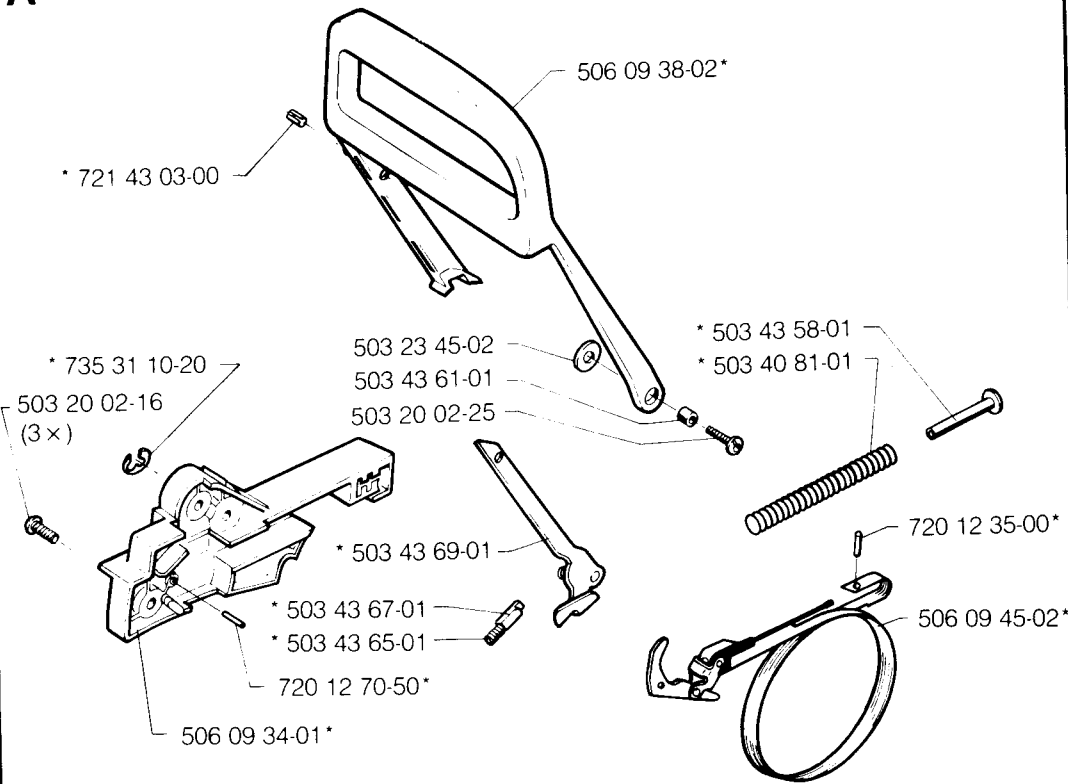




## SPAREPARTS 107 24 39-63

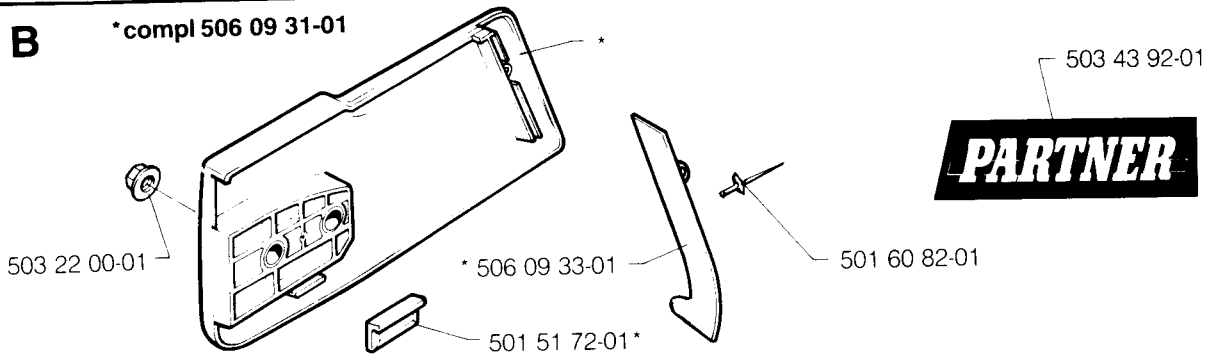
**A**

\* compl 506 09 44-04



**B**

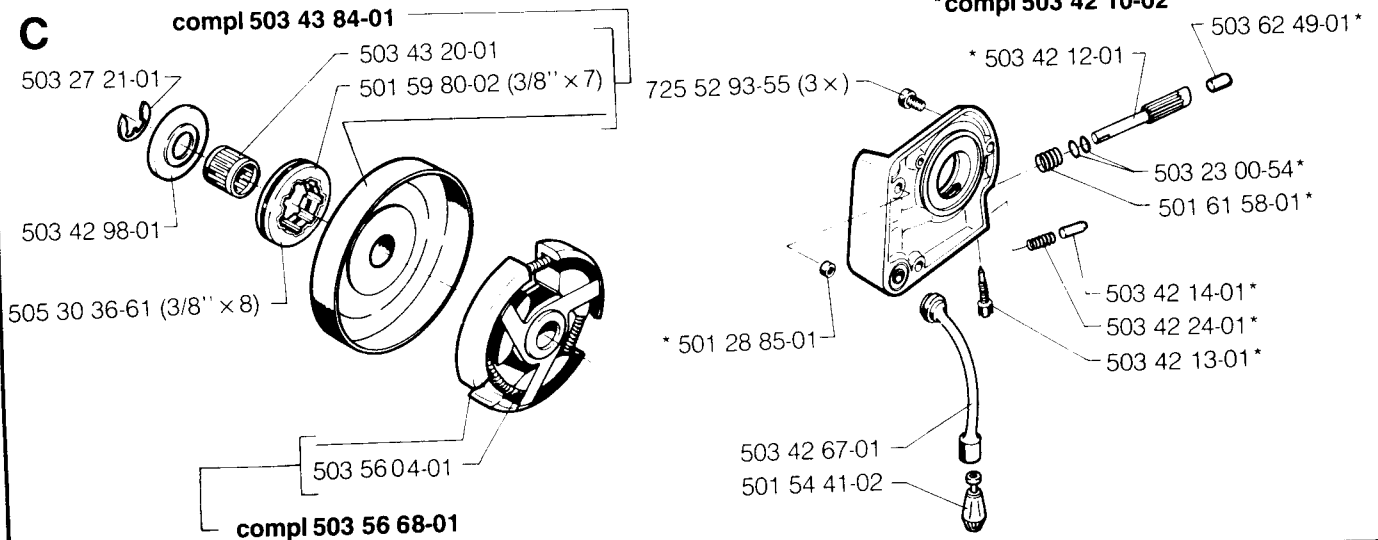
\* compl 506 09 31-01



**C**

compl 503 43 84-01

\* compl 503 42 10-02

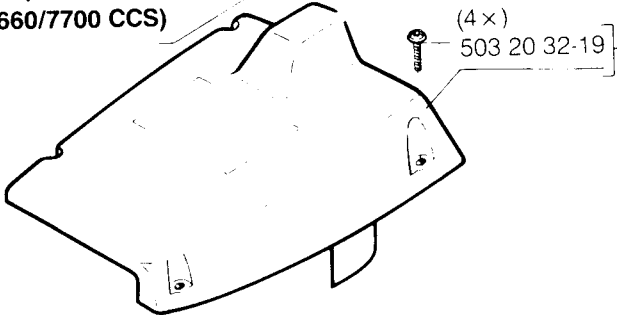
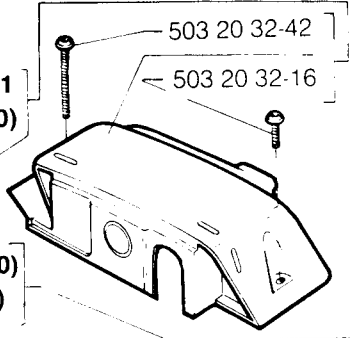


**D**

compl 503 43 31-01  
(660/7700)

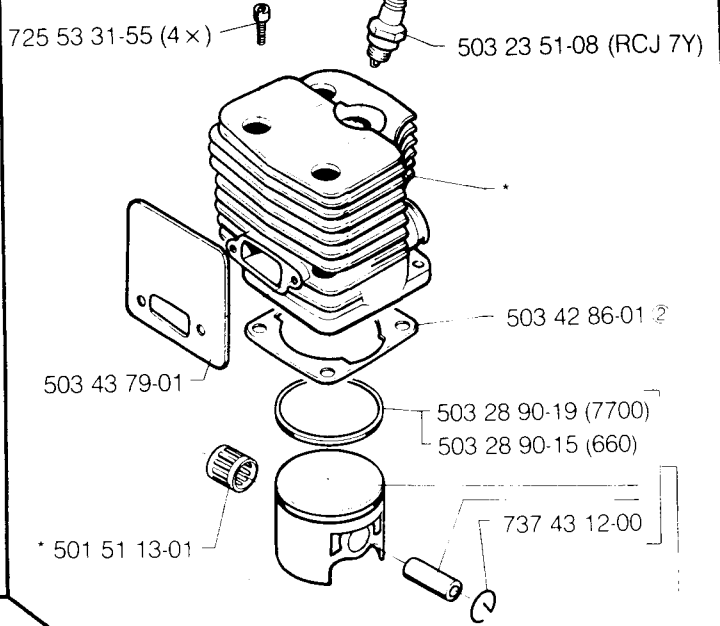
compl 503 43 31-11  
(660/7700 CCS)

compl 503 43 33-01 (7700)  
compl 503 43 33-04 (660)  
compl 503 43 33-16  
(660/7700 CCS)



**E**

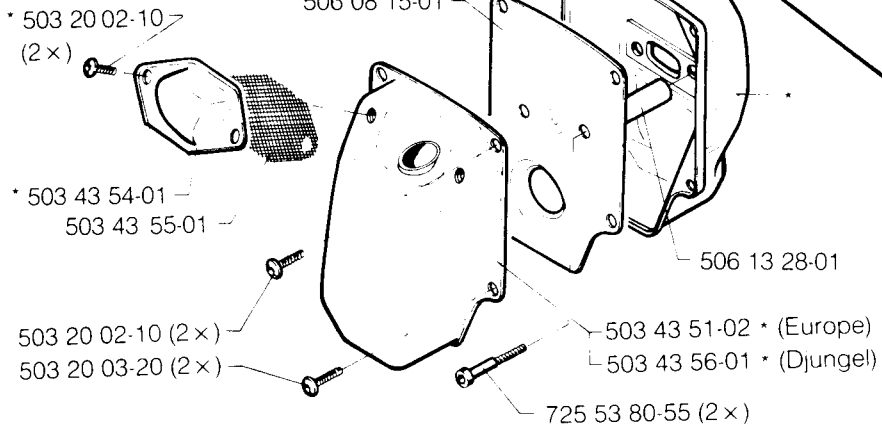
\*compl 503 43 75-04 (660, Ø 48 mm)  
\*compl 503 42 05-04 (7700, Ø 52 mm)



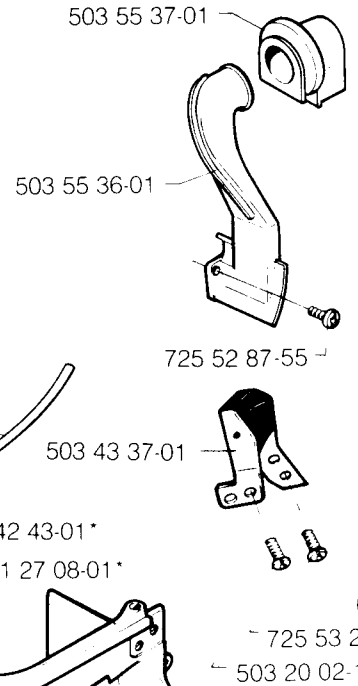
\* 503 43 77-02 (660)  
\* 503 42 08-02 (7700)

**F**

\*compl 503 43 50-02 (Europe)  
\*compl 503 43 50-03 (Djungel)



**G**

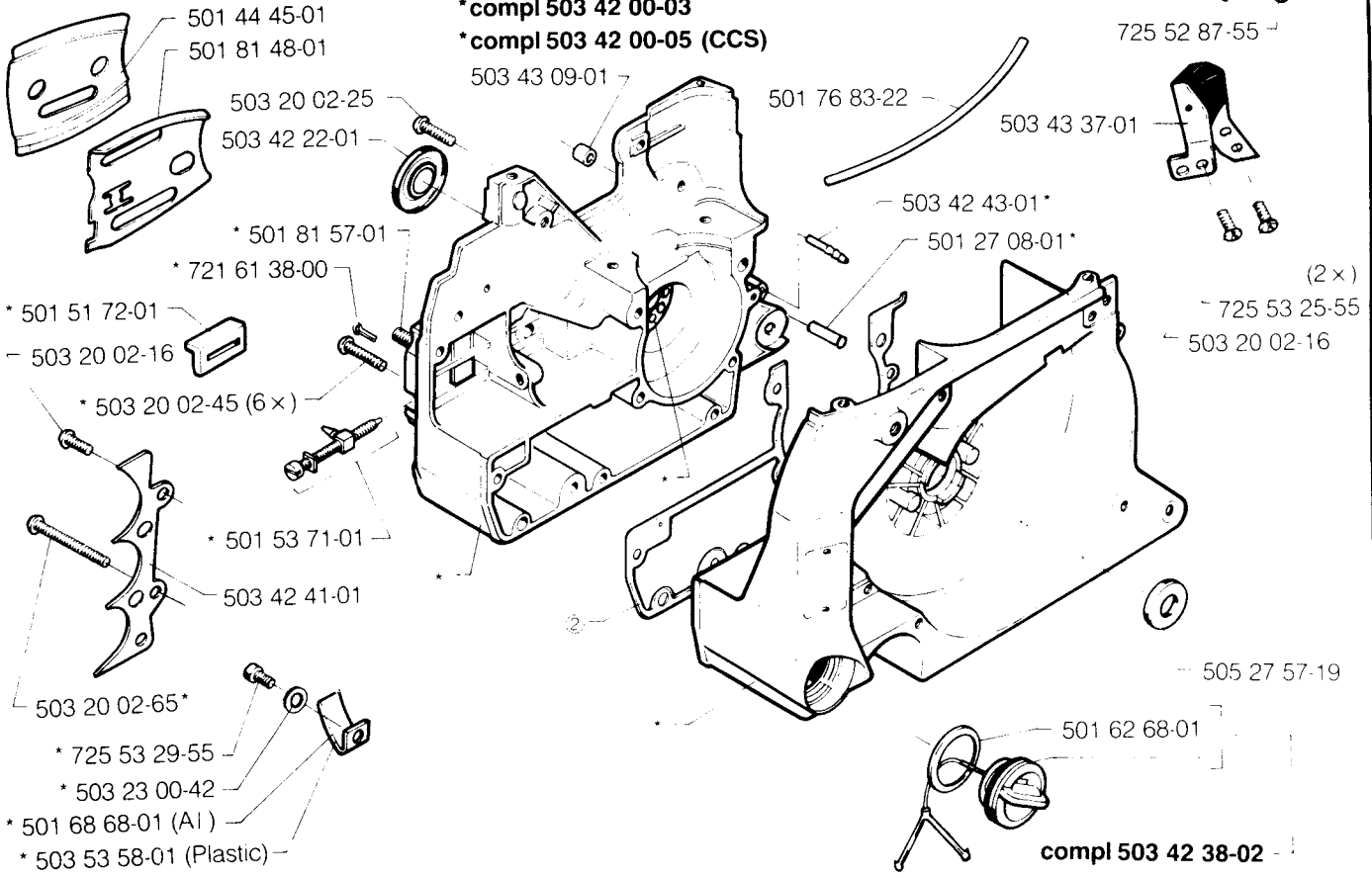


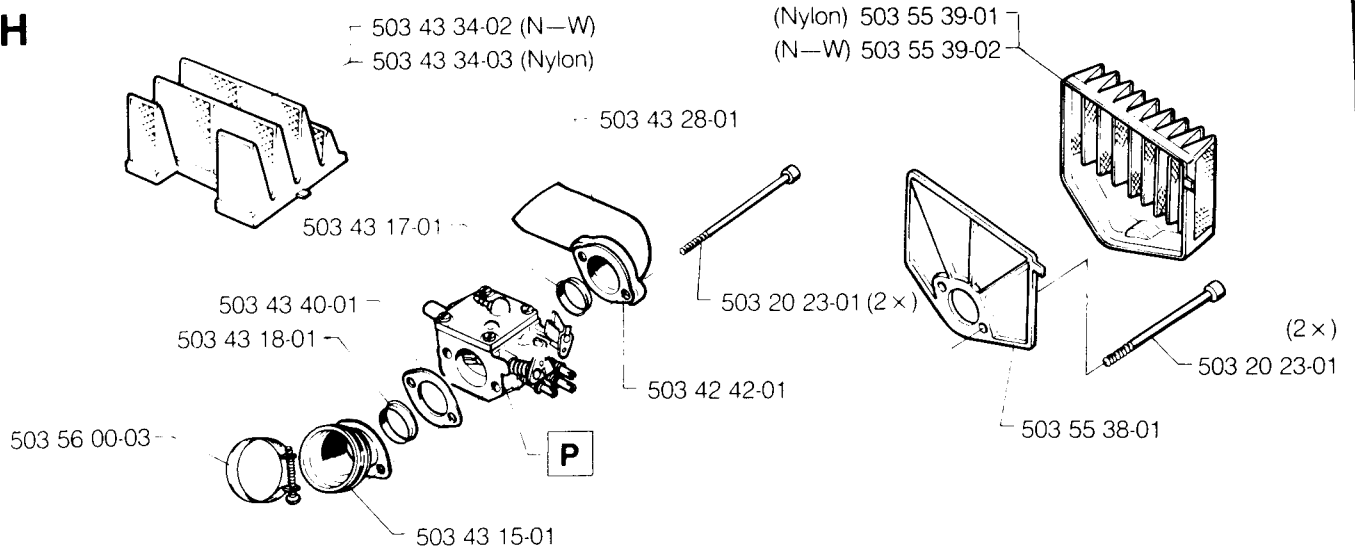
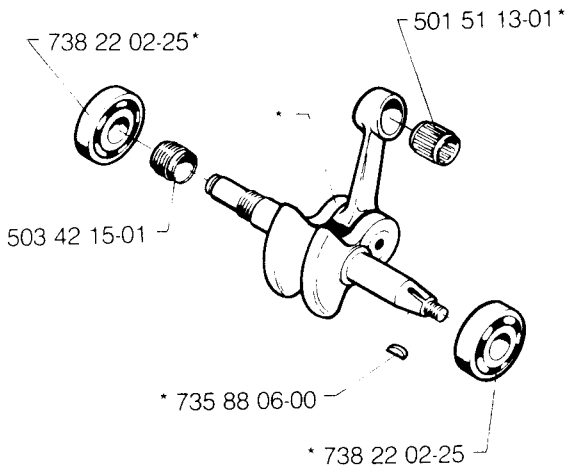
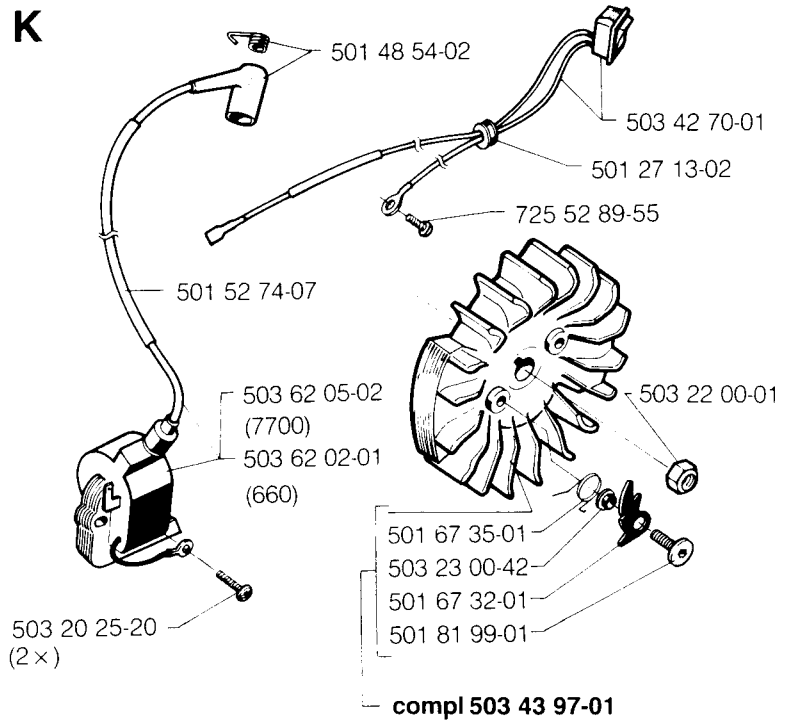
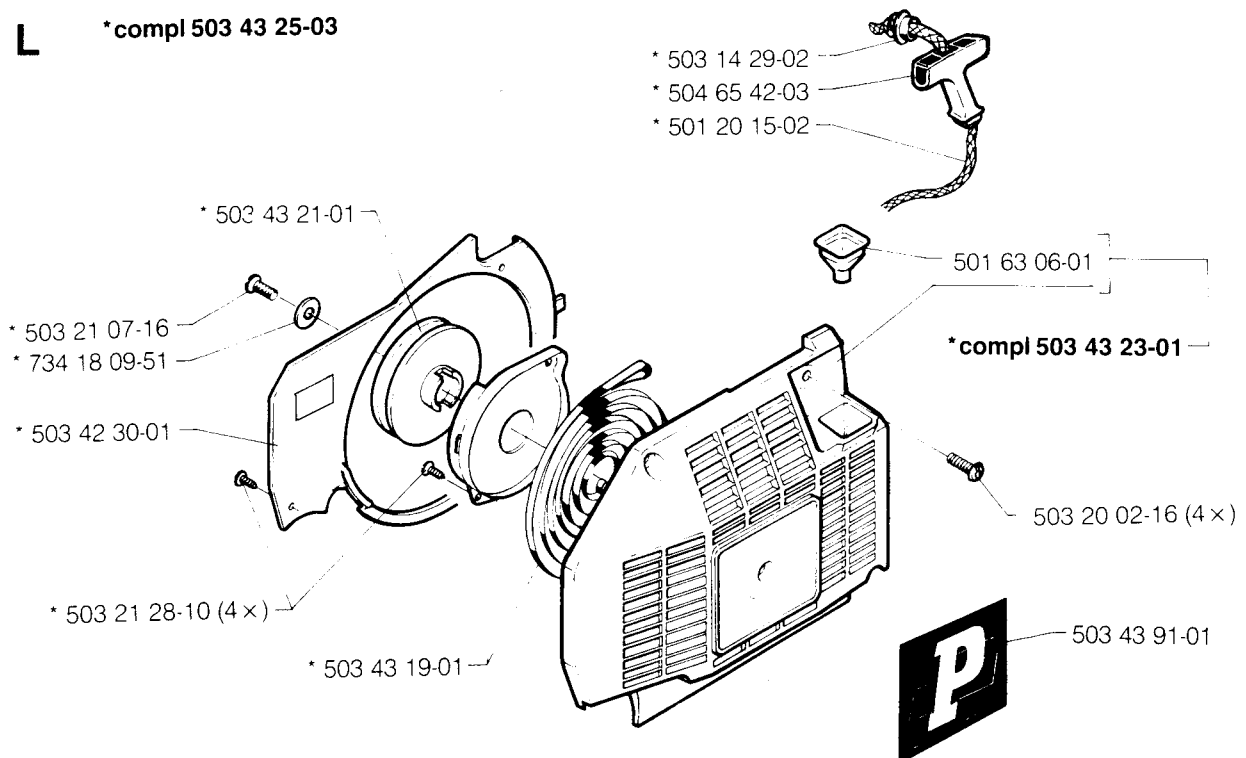
505 27 57-19

501 62 68-01

compl 503 42 38-02

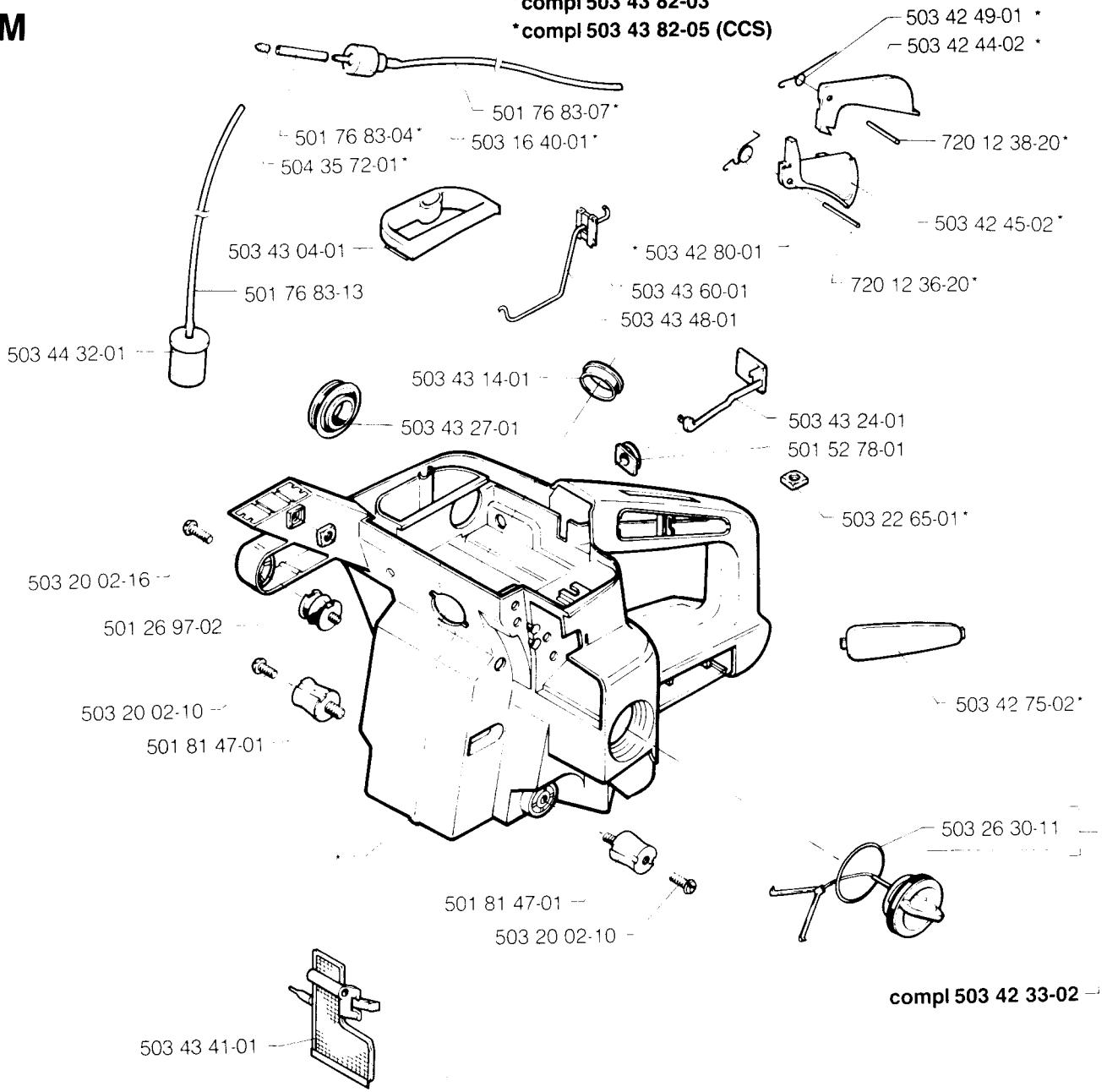
\*compl 503 42 00-03  
\*compl 503 42 00-05 (CCS)



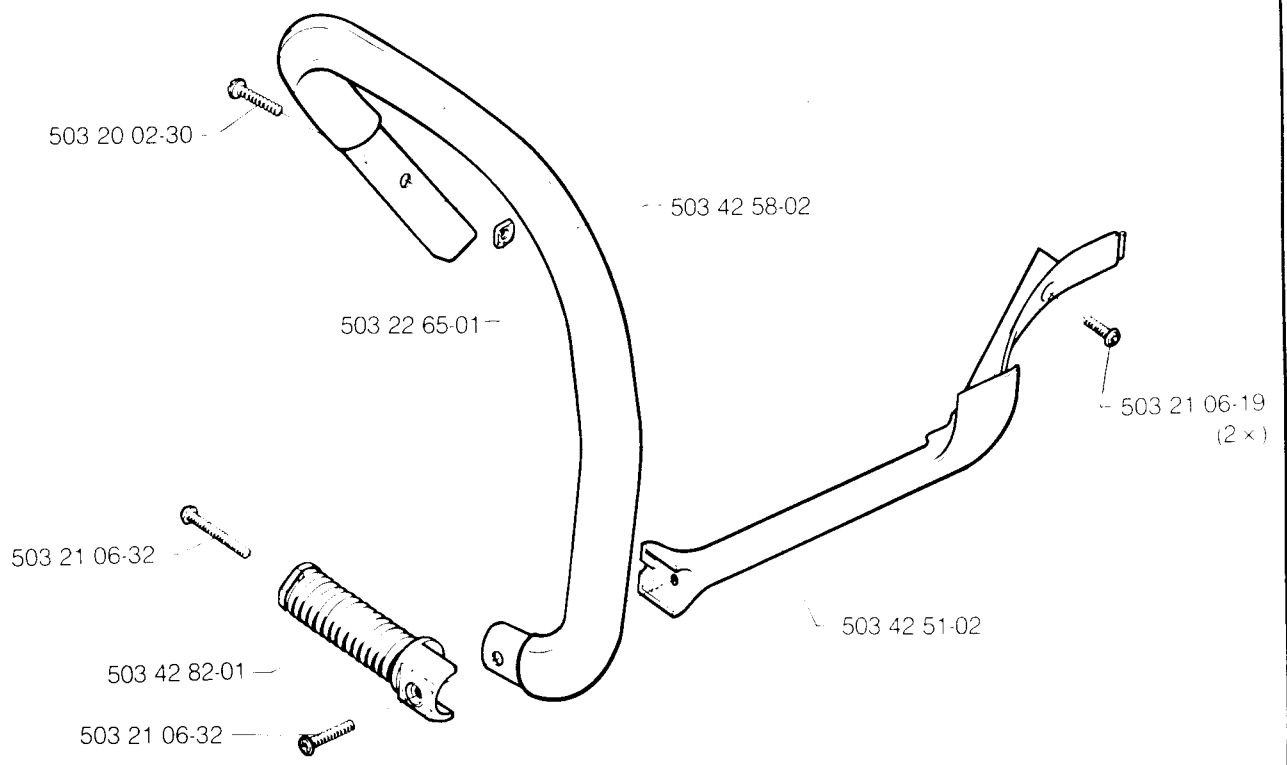
**H****J****\*compl 506 08 86-02****K****L****\*compl 503 43 25-03**

**M**

\*compl 503 43 82-03  
\*compl 503 43 82-05 (CCS)

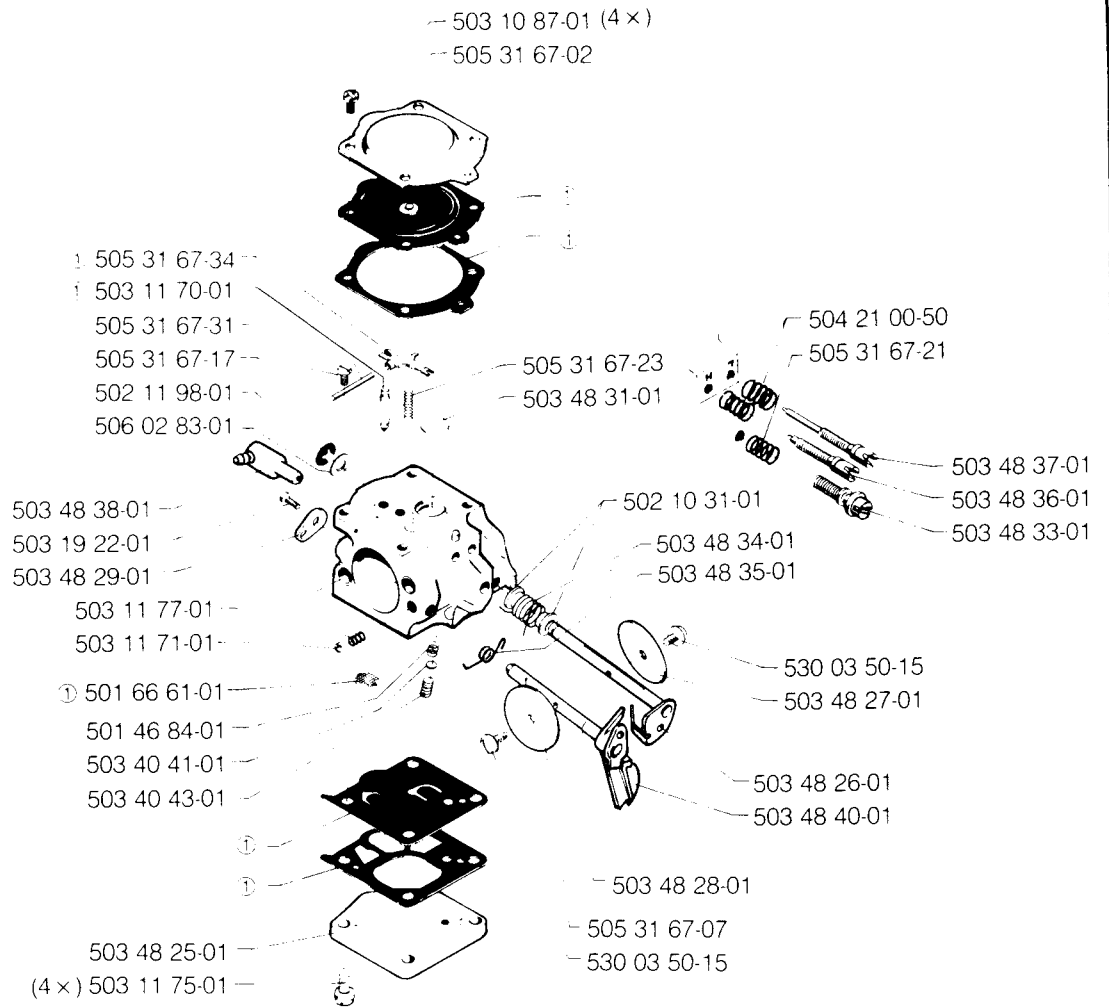


**N**



**P**

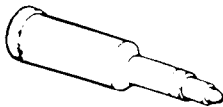
compl 503 28 12-09

**Walbro WJ 28 B**

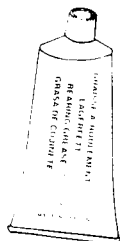
**503 08 84-01**  
**Packningssats**  
**Set of gaskets**  
**Dichtungssatz**  
**Jeu de joints**  
**Jeugo de junta**

**Q**

**Tillbehör**  
**Accessories**  
**Zubehöre**  
**Accessoires**  
**Accesorios**



501 91 14-01



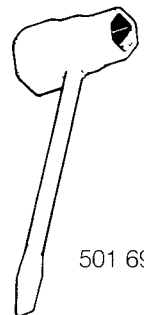
503 62 12-01



503 55 86-02 (5 mm)



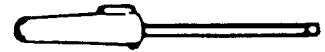
503 55 86-01 (4 mm)



501 69 17-01

# R

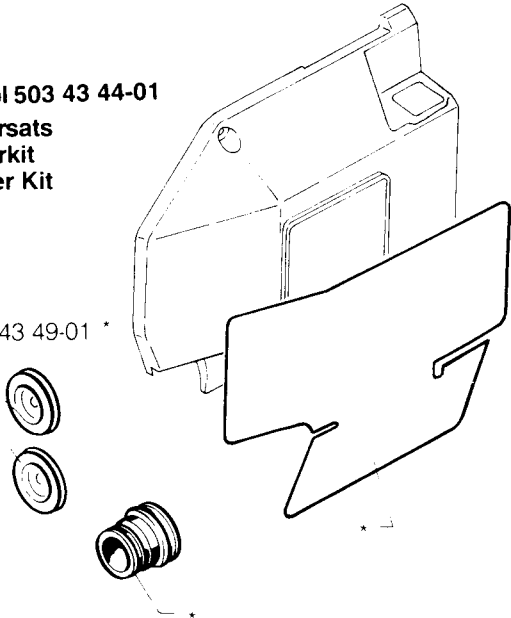
Levereras endast som reservdel  
Delivery as spare part only  
Nur als Ersatzteil lieferbar  
Livrabl seulement comme pièce de rechange  
Solo como repuesto



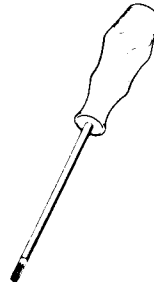
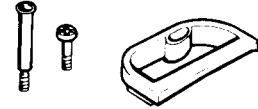
501 60 02-02

\* compl 503 43 44-01  
Vintersats  
Vinterkit  
Winter Kit

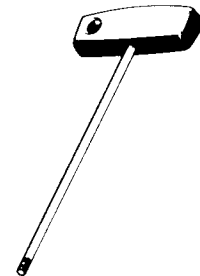
503 43 49-01 \*



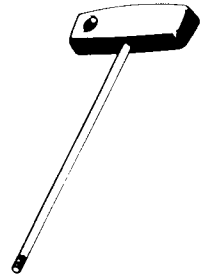
compl 503 42 72-01  
Reparationsats filterkåpa  
Repair Kit filtercover  
Reparationsatz Luftfilterdeckel



502 51 67-01  
Torx TX 20



502 71 27-01  
Torx TX 25



502 71 31-01  
Torx TX 30

# S

MODEL NUMBER 660/7700

PARTNUMBER	SQUARE	NOTE	PARTNUMBER	SQUARE	NOTE	PARTNUMBER	SQUARE	NOTE	PARTNUMBER	SQUARE	NOTE
501 20 15-02	L		503 21 06-19	N	N	503 43 27-01	M		503 56 68-01	C	
501 26 97-02	M		503 21 06-32	N	N	503 43 28-01	H		503 48 38-01	P	
501 27 08-01	G		503 21 07-16	L	N	503 43 31-01	D		503 28 90-15	E	
501 27 13-02	K		503 21 28-10	L	N	503 43 31-11	D	N	503 62 12-01	Q	
501 28 85-01	C	N	503 22 00-01	A,K		503 43 33-01	D		503 62 49-01	C	N
501 44 45-01	G		503 22 65-01	M,N		503 43 33-04	D		504 21 00-50	P	
501 46 84-01	P		503 23 00-42	G,K		503 43 33-16	D	N	504 35 72-01	M	
501 48 54-02	K		503 23 00-54	C	N	503 43 34-02	H		504 65 42-03	L	N
501 51 13-01	F,J		503 23 45-02	A		503 43 34-03	H		505 27 57-19	G	
501 51 72-01	B,G		503 23 51-08	E		503 43 37-01	G		505 30 36-01	C	
501 52 74-07	K		503 26 30-11	M		503 43 40-01	H		505 31 67-02	P	
501 52 78-01	M		503 27 21-01	C		503 43 41-01	M		505 31 67-07	P	
501 53 71-01	G		503 28 12-09	P		503 43 44-01	R	N	505 31 67-17	P	
501 54 41-02	C		503 28 90-15	E		503 43 48-01	M		505 31 67-21	P	
501 59 80-02	C		503 28 90-19	E		503 43 49-01	R		505 31 67-23	P	
501 60 02-02	R		503 40 41-01	P		503 43 50-02	F		505 31 67-31	P	
501 60 82-01	B		503 40 43-01	P		503 43 50-03	F		505 31 67-34	P	
501 61 58-01	C	N	503 40 81-01	A		503 43 51-02	F		506 02 83-01	P	
501 62 68-01	G		503 42 00-03	G		503 43 54-01	F		506 08 15-01	F	
501 63 06-01	L		503 42 00-05	G	N	503 43 55-01	F		506 08 86-02	J	
501 66 61-01	P		503 42 05-04	E		503 43 56-01	F		506 09 31-01	B	
501 67 32-01	K		503 42 08-02	E		503 43 58-01	A		506 09 33-01	B	
501 67 35-01	K		503 42 10-02	C		503 43 60-01	M		506 09 34-01	A	
501 68 68-01	G		503 42 12-01	C		503 43 61-01	A		506 09 38-02	A	
501 69 17-01	Q		503 42 13-01	C		503 43 65-01	A		506 09 44-04	A	
501 76 83-04	M		503 42 14-01	C		503 43 67-01	A		506 09 45-02	A	
501 76 83-07	M		503 42 15-01	J		503 43 69-01	A		506 13 28-01	F	
501 76 83-13	M		503 42 22-01	G		503 43 75-04	E		530 03 50-15	P	
501 76 83-22	G		503 42 24-01	C		503 43 77-02	E		720 12 35-00	A	
501 81 47-01	M		503 42 30-01	L		503 43 79-01	E		720 12 36-20	M	
501 81 48-01	G		503 42 33-02	M		503 43 82-03	M		720 12 38-20	M	
501 81 57-01	G		503 42 38-02	G		503 43 82-05	M	N	720 12 70-50	A	
501 81 99-01	K		503 42 41-01	G		503 43 83-01	-	2	721 43 03-00	A	
501 91 14-01	Q		503 42 42-01	H		503 43 84-01	C		721 61 38-00	G	
502 10 31-01	P		503 42 43-01	G		503 43 91-01	L		725 52 87-55	G	N
502 11 98-01	P		503 42 44-02	M		503 43 92-01	B		725 52 89-55	K	N
502 51 67-01	R		503 42 45-02	M		503 44 32-01	M		725 52 93-55	C	N
502 71 27-01	R		503 42 49-01	M		503 48 25-01	P		725 53 25-55	G	N
502 71 31-01	R		503 42 51-02	N		503 48 26-01	P		725 53 29-55	G	N
503 08 84-01	P		503 42 58-02	N		503 48 27-01	P		725 53 31-55	E	N
503 10 87-01	P		503 42 67-01	C		503 48 28-01	P		725 53 80-55	F	N
503 11 70-01	P		503 42 70-01	K		503 48 29-01	P		734 18 09-51	L	
503 11 71-01	P		503 42 72-01	R	N	503 48 31-01	P		735 31 10-20	A	
503 11 75-01	P		503 42 75-02	M		503 48 33-01	P		735 88 06-00	J	
503 11 77-01	P		503 42 80-01	M		503 48 34-01	P		737 43 12-00	E	
503 14 29-02	L	N	503 42 82-01	N		503 48 35-01	P		738 22 02-25	J	
503 16 40-01	M		503 42 86-01	E	2	503 48 36-01	P				
503 19 22-01	P		503 42 98-01	C	N	503 48 37-01	P				
503 20 02-10	F,M	N	503 43 04-01	M		503 48 38-01	P				
503 20 02-16	A,G,L,M	N	503 43 09-01	G		503 48 40-01	P				
503 20 02-25	A,G	N	503 43 14-01	M		503 53 58-01	G				
503 20 02-30	N	N	503 43 15-01	H		503 55 36-01	G	N			
503 20 02-45	G	N	503 43 17-01	H		503 55 37-01	G	N			
503 20 02-65	G	N	503 43 18-01	H		503 55 38-01	H	N			
503 20 03-20	F	N	503 43 19-01	L		503 55 39-01	H	N			
503 20 23-01	H		503 43 20-01	C		503 55 39-02	H	N			
503 20 25-20	F,H,K	N	503 43 21-01	L		503 55 86-01	Q	N			
503 20 32-16	D	N	503 43 23-01	L		503 55 86-02	Q	N			
503 20 32-19	D	N	503 43 24-01	M		503 56 00-03	H				
503 20 32-42	D	N	503 43 25-03	L		503 56 04-01	C				

N=NY DETALJ  
 NEW PART  
 NEUES TEIL  
 NOUVILLE PIECE  
 NUEVA PIEZA

2=5034383-01  
 PACKNINGSSATS  
 SET OF GASKETS  
 DICHTUNGSSATZ  
 JEU DE JOINTS  
 JUEGA DE JUNTAS