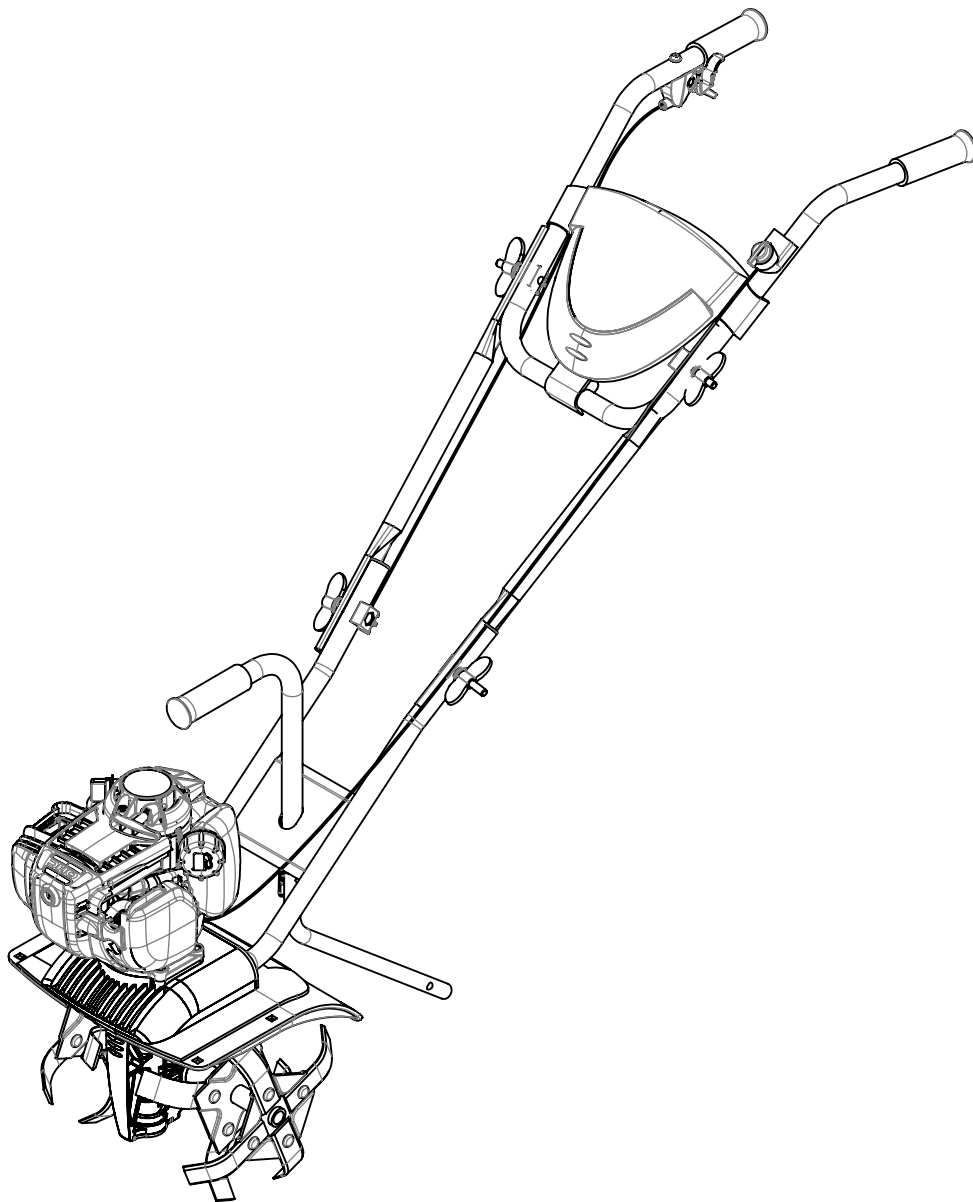
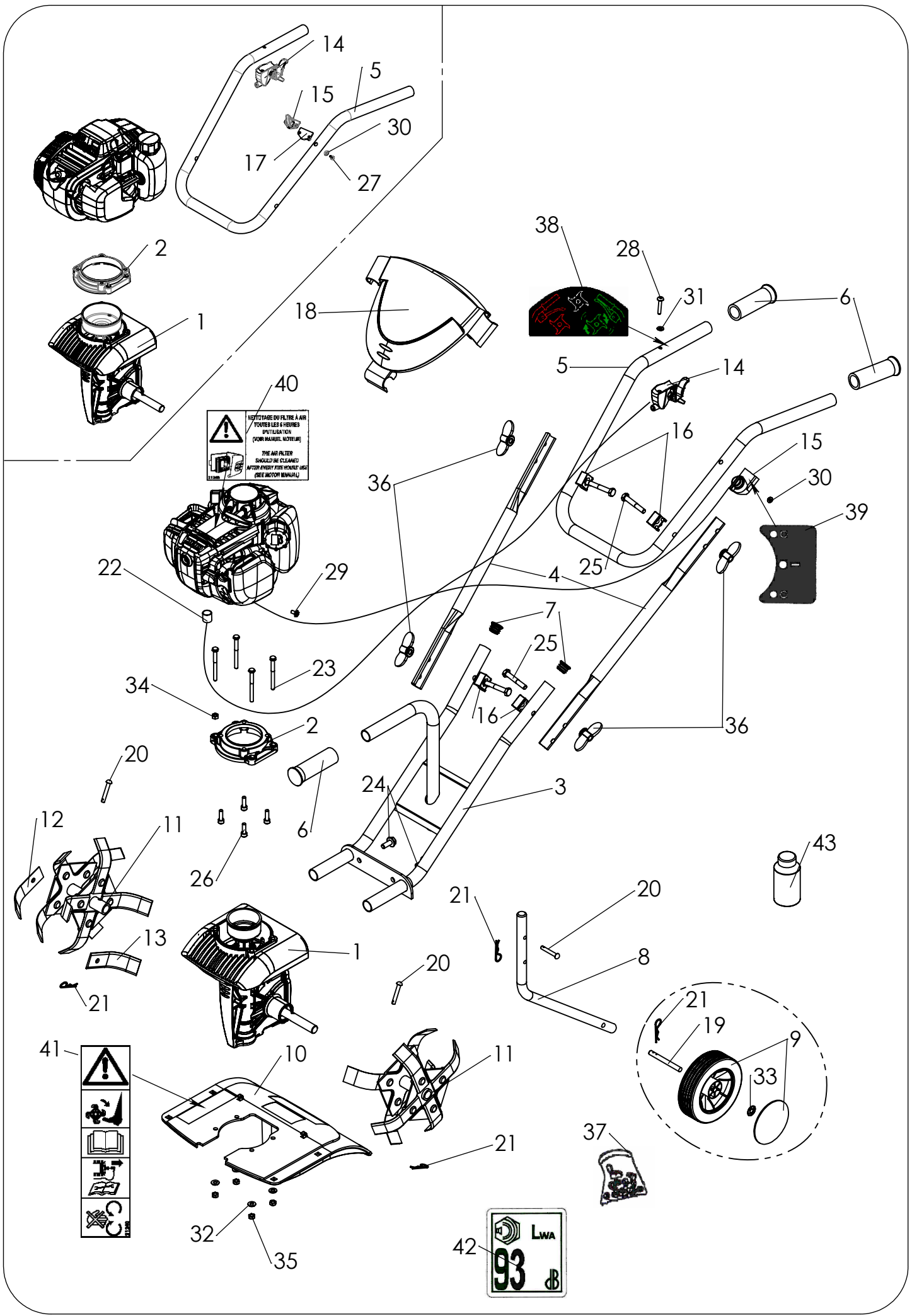


Pièces de rechange Spare parts list

700003****





*MICROBINEUSE
MICROTILLER*






 NETTOYAGE DU FILTRE À AIR
 TOUJOURS 4 HEURES
 D'UTILISATION
 (VOIR MANUEL, NOTEAU)


 THE AIR FILTER
 SHOULD BE CLEANED
 AFTER EVERY FIVE HOURS USE
 (SEE MOTOR MANUAL)










 LWA
93


Rep N°	Ref.	Désignation	Description	Qte
1	7001000001	TRANSM MIC GX25 xMONTEx	Transmission (GX25)	1
1	7001000002	TRANSM MIC02xGX31/EH035 xMONTEx	Transmission	1
2	0340070001	ADAPT PONT xMIC02xGX31-EH035x	Adapter axel/motor	1
2	0340070027	ADAPT PONT xMIC02xGX25	Adapter axel/motor Micro GX25	1
3	7002000302	GUIDON BAS xMIC02xNOIRx	Black bottom handelbar	1
3	7002000601	GUIDON BAS xMIC02xGRIS 627x	Grey (627) bottom handelbar	1
3	7002002301	GUIDON BAS xMIC02xBLEU P301x	Blue P301 bottom handelbar	1
3	7002002602	GUIDON BAS xMIC02xJAUNE 99922	Yellow bottom handelbar	1
4	7002000303	GUIDON INTERMED xMICROBxNOIRx	Black intermediate handelbar	2
4	7002000602	GUIDON INTERM xMICROBxGris627x	Grey (627) intermediate handelbar	2
4	7002002302	GUIDON INTERMxMICROBxBLEU	blue intermediate handelbar	2
4	7002002603	GUIDON INTERMED xMICxJAUNE 99922x	Yellow intermediate handelbar	2
5	7002010303	GUIDON HAUTxMICROBxNOIRx	Black top handlebar	1
5	7002010601	GUIDON HAUTxMICROBxGRIS 627x	Grey (627) top handlebar	1
5	7002012301	GUIDON HAUTxMICROBxBLEU P301x	Blue P301 top handlebar	1
6	0341000038	POIGNEE PVC SOUPLE D22	HAND SIDE GRIP Ø22	3
7	0341000022	EMBOUIT ROND DIAM.22 N	Black plug Ø22	2
8	7002000301	BEQUILLE xMIC02xNOIR	Black spur	1
9	0309000010	ROUE 130 ALES 8 NOIR	BLACK WHEEL D130 BORE 8	1
10	0340070011	PROTECTEUR MIC03 Bleu P301	Blue P301 guard	1
10	0340070012	PROTECTEUR MIC03 GRIS	Grey guard	1
10	0340070013	PROTECTEUR MIC03 ROUGE 3001	Red RAL 3001 guard	1
10	0340070014	PROTECTEUR MIC03 VERT 6029	Green RAL 6029 guard	1
10	0340070019	PROTECTEUR MIC03 ORANGE P165	Orange P165 guard	1
10	0340070025	PROTECTEUR MIC03 ROUGE 2002	Red RAL 2002 guard	1
10	0340070030	PROTECTEUR MIC03 ORANGE RAL2009	Orange RAL 2009 guard	1
11	0320010027	FRAISES MIC09	TWIN TINES D225 STRAIGHT BLADE (30X3)	2
12	0002060007	COUTEAU 30X3 EXT. MIC04	Outside blade 30x3	1
13	0002060008	COUTEAU 30X3 INT. MIC04	Inside blade 30x3	1
14	0308040025	CABLE GAZ+GACHET MIC02 GX31 GX25	Throttle câble + lever GX31	1
14	0308040028	(CABLE GAZ MICRO xEHO35x) + gachette	Throttle cable + lever EH035	1
15	0330012006	SWITCH STOP GX	Switch engine cut-off	1
15	0001000360	SWITCH STOP EH035	Robin EH035V switch	1
16	0301000003	SUPPORT CABLE GUIDON NOIR	Cable handlebar fixing block	4
17	0304000070	SUPP SWITCH ROBIN EH035V	Support switch Robin EH09	1
18	0340070015	TABLEAU BORD MIC02 Gris (G8120)	Gris (G8120) control panel	1
18	0340070016	TABLEAU BORD MIC02 ORANGE RAL2009	Orange RAL 2009 control panel	1
18	0340070017	TABLEAU BORD MIC02 ROUGE	Red RAL 3001 control panel	1
18	0340070018	TABLEAU BORD MIC02 VERT RAL6029	Green RAL 6029 control panel	1
18	0340070022	TABLEAU BORD MIC02 ORANGE P165	Orange P165 control panel	1
19	0302010032	AXE ROUE DE TRANSP xMECAB02x FAB 18501145	AXEL OF TRANSPORT WHEEL	1
20	0302010039	AXE GOUPILLE 6x38 Z XC 38	Pin 6x38 Z	3
21	0301030001	GOUPILLE BETA 2 Z x 50	CLIP PIN BETA 2 Z	4
22	0341000058	TUBE POLYAM INCO	Polyamid spacer	1
23	0300010607	VIS H 6X 65 Z CL 6.8	Screw HM 6x65 Z	4
24	0300010816	VIS H 8x20 Z EMB CR	SCREW H M8X20 Z NOTCHED SHOULDER CL 8.8	2
25	0300010833	VIS HM8x50 CL8.8 DIN931	Screw HM 8x50 Z	4
26	0300020602	VIS CHC 6 X 20 Z	Screw CHC M6x20z	4
27	0300080301	VIS TCB 3X10 Z DIN 7985	Pozidrive screw M 3x10 Z	1
28	0300080503	VIS TCL POZI 5 x 30 Z	Pozidrive screw M 5x30 Z	1
29	0300090501	VIS TENSIL TH CRANT 5X10 BIC	Tensil screw TH 5x10 bic	1
30	0300400301	RONDELLE PLATE 3.2x10x1 Z	Washer M 3.2x10x1 Z	1
31	0300400501	RONDELLE PLATE M 5X12X1 Z NFEN 25513	Washer M 5x12x1 Z	1
32	0300400602	RONDELLE PLATE M 6X14X1,2 Z	PLATE WASHER M 6X14X1,2 Z NFEN 25513	4
33	0300460801	RONDELLE STARLOCK DIA 8	STARLOCK WASHER DIA 8	1
34	0300200601	ECROU H.U. M 6 Z	Nut HM6 z	1
35	0300210602	ECROU FREIN M 6 Z DIN 985-8	BLOCKING NUT M 6 Z	4
36	0301000002	ECROU PAPILLON GUIDON NOIR	Handlebar tighening handle	4
37	0300000003	POCH. VISS xMICRO2x	Bag of screws (microbineuse)	1
38	0503000029	ETIQ. "EMBRAY" INV MEC xCEE DIM 30 X 15	STICKER xCLUTCH LEVERx	1
39	0503000031	"ETIQ. ""MARCHE/ARRET""/SWITCH DIM 20 X 15	STICKER SWITCH ON/OFF GX	1
40	0503000033	ETIQ. "NETT FILT AIR"xCEEx	Label "Air filter cleaning"	1
41	0503000036	"ETIQ. ""SECURITE 5 LOGOS""Xce	STICKER SECURITY	1
42	0503000062	"ETIQ. ""NIVEAU DE BRUIT"" 93	STICKER NOISE LEVEL '93Db'	1
43	0102000012	HUILE SAE 10 W 30 +BIDON 10 CL bouch Blanc	Engine oil 0.1L	1