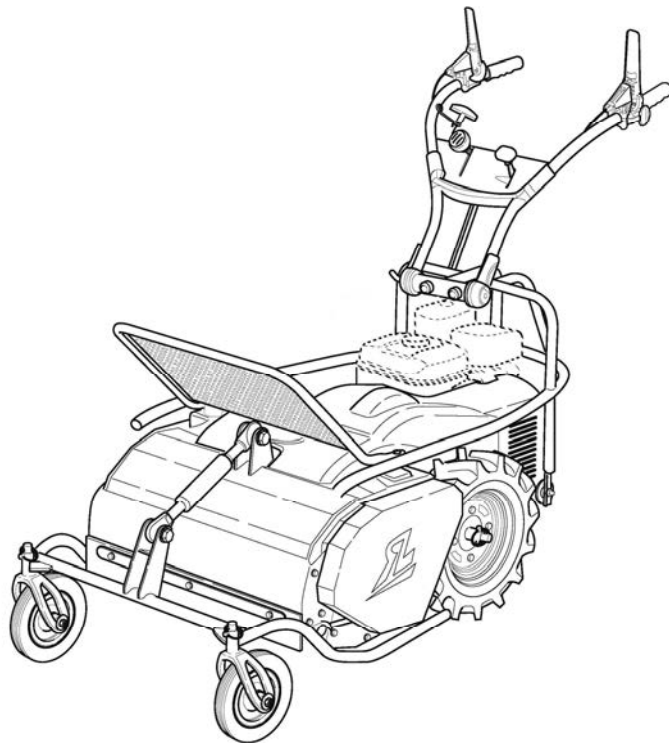
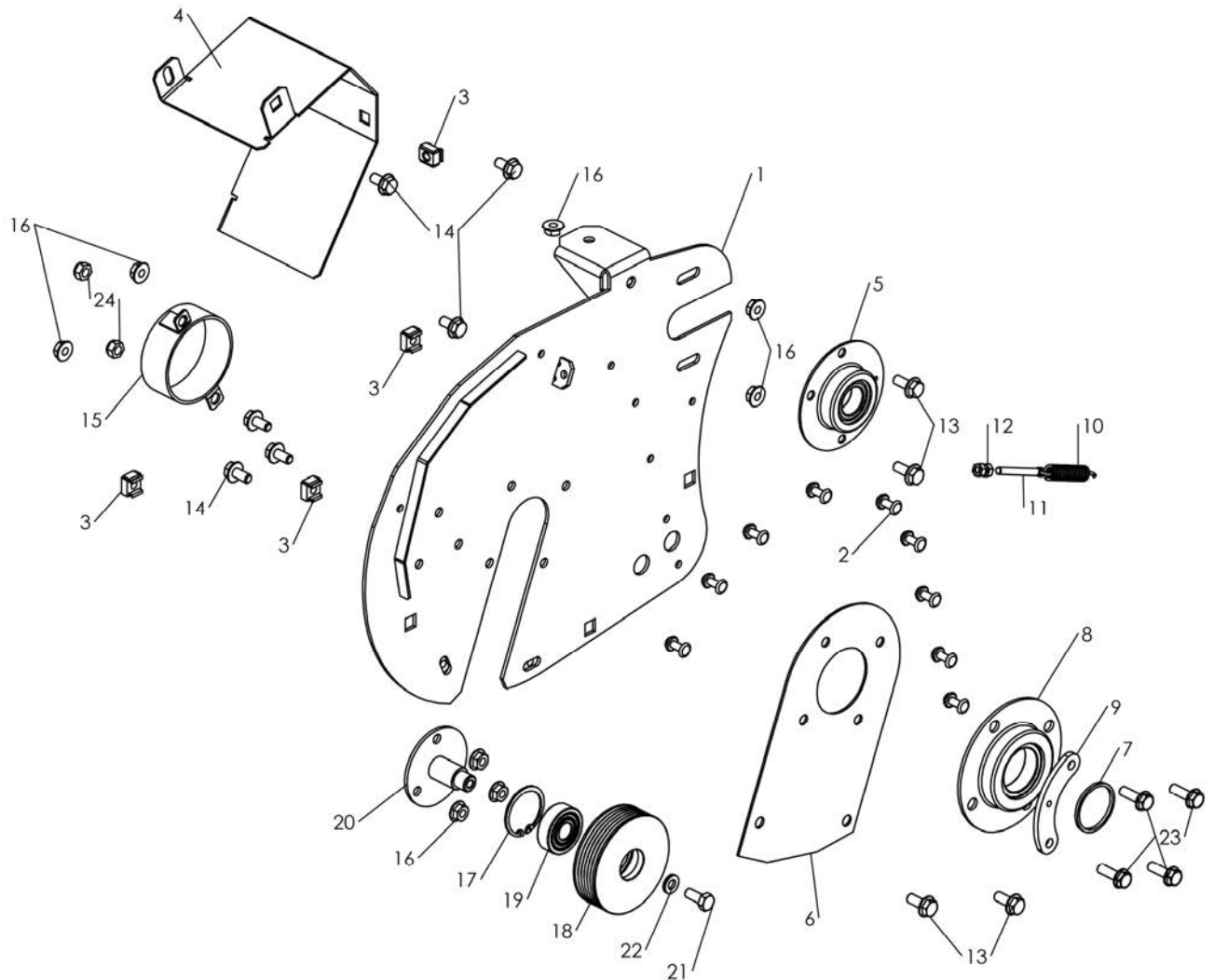


# Pièces de rechange

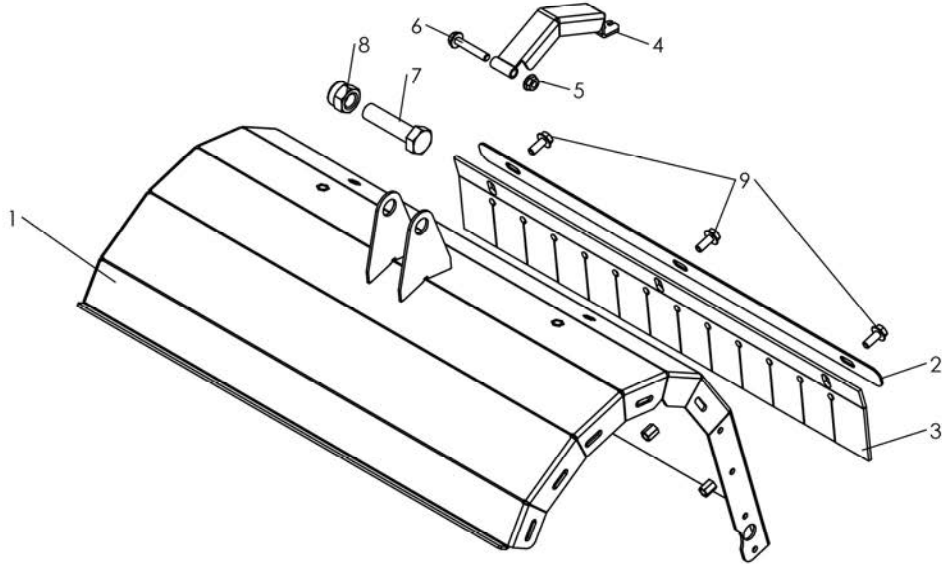
# Spare parts list

**5300\*\*02\*\***



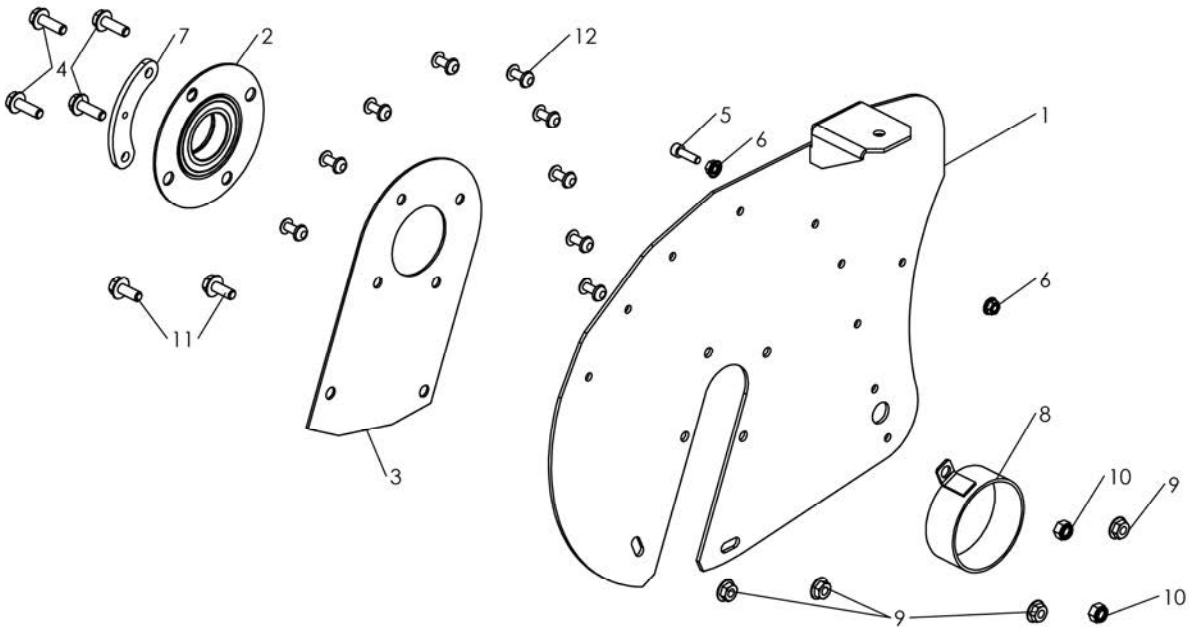


Rep N°	Ref.	Désignation	Description	Qté
1	5302013705	FLASQUE CAISSON GAUCHE NOIR	PLATE LEFT BLACK BOX RL460	1
2	0301000019	RIVET STD TP 6.4X22 14	RIVET STD TP 6.4X22 14	9
3	0300230803	Ecrou cage M8 4808-B-4	NUT RAPID M8	5
4	5302013711	CARTER ARB. PASSE CLOISON NOIR	CARTER PAST TREE BLACK WALL	1
5	5201020020	MONTAGE PALIER Ø25	BEARING Ø25	1
6	5302013708	FOURRURE CAISSON FL NOIR RL460	FUR BLACK BOX FL RL460	1
7	0302020212	BAGUE DE CALAGE ROTOR	WEDGING WASHER	1
8	5301010001	PALIER ASSEMBLE Ø40	BEARING Ø40	1
9	5302013723	SUPPORT CAPOT FRONTAL NOIR	SUPPORT FRONT COVER BLACK RL46	1
10	0305010035	RESSORT TRACTION POLY-V	TENSION SPRING	1
11	KE04010018	VIS DE BIELETTE EMBRAY.BOTIER	CLUTCH SCREW	1
12	0300200601	ECROU H.U. M 6 Z	Nut HM6 z	2
13	0300010816	VIS H 8x20 Z EMB CR	SCREW H M8X20 Z NOTCHED SHOULDER CL 8.8	4
14	0300010815	VIS H 8x16 Z EMB CR DIN 6921 CL 6.8	SCREW H M8X16 Z NOTCHED SHOULDER CL 6.8	6
15	5302013707	COUVERCLE CHI ROTOR NOIR RL460	LID ARGUES WITH BLACK ROTOR	1
16	0300260801	ECROU HM 8 ZEMB CR DIN 6923-8	NUT H M8 Z NOTCHED SHOULDER	10
17	0301070035	CIRCLIP INT 42 DIN472 J RENF	Circlip int 42	1
18	0306060060	POULIE FOLLE FLEAUX PROFIL 6PK	DRIVEN PULLEY	1
19	0306010065	RLT A BILLES 6302 2RS	BALL BEARING 6302 2RS	1
20	5302013724	SUPPORT POULIE FOLLE NOIR RL46	PULLEY MAD BLACK RL460 SUPPORT	1
21	0300010806	VIS H 8 X 20 Z DIN 933 8/8	Screw HM 8x20 z	1
22	0300480802	RONDELLE NORD-LOCK Ø8 SP	WASHER NORD-LOCK Ø8	1
23	0300010838	VIS H 8x25 Z EMB CR DIN 6921 CL 6.8	SCREW H 8x25 Z DIN 6921 NOTCHED SHOULDER CL 6.8	4
24	0300210802	ECROU FREIN M 8 Z DIN 985/8	BLOCKING NUT HM 8 Z DIN 985/8	2



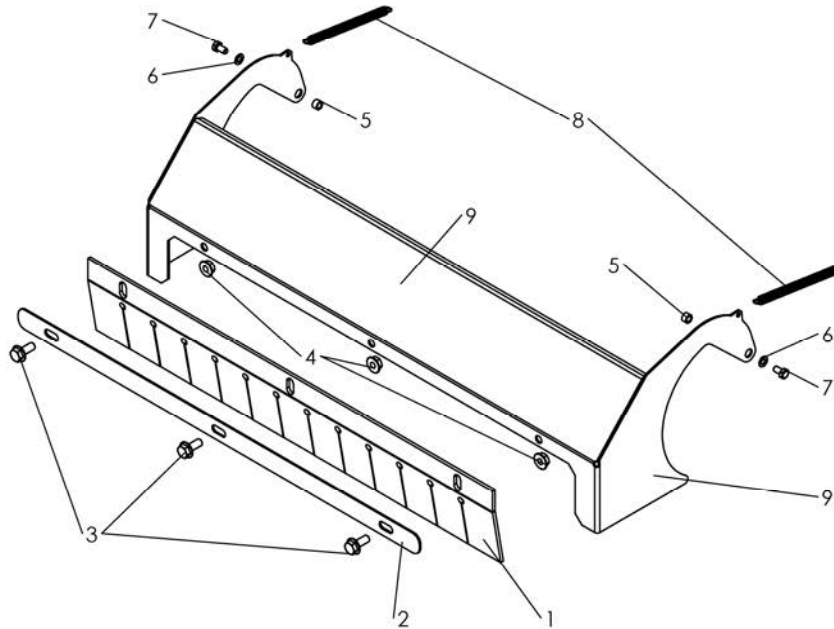
Rep N°	Ref.	Désignation	Description	Qté
1	5302013703	TOLE SUP CAISSON NOIR RL460	BLACK BOX PLATE SUP RL460	1
2	5302013710	SERRE BAVETTE CAISSON NOIR	GREENHOUSE FLAP BLACK BOX	1
3	0341000126	BAVETTE COUPELLE FLEAU	MUD FLAP BLADE GUARD	1
4	5302013729	PATIN DE FREIN PARKING NOIR RL	PARKING BRAKE PAD BLACK	1
5	0300260801	ECROU HM 8 ZEMB CR DIN 6923-8	NUT H M8 Z NOTCHED SHOULDER	1
6	0300010818	VIS H 8x45 Z EMB CR DIN 6921	SCREW H M8 X 45	1
7	0300011801	VIS M18x70 CL8.8 ZN DIN933	SCREW M18x70	1
8	0300211801	ECROU H NYLSTOP M18	NUT H NYLSTOP M18	1
9	0300010816	VIS H 8x20 Z EMB CR	SCREW H M8X20 Z NOTCHED SHOULDER CL 8.8	3

53\_Coupele centrale RLD1201 \_ Défaut:



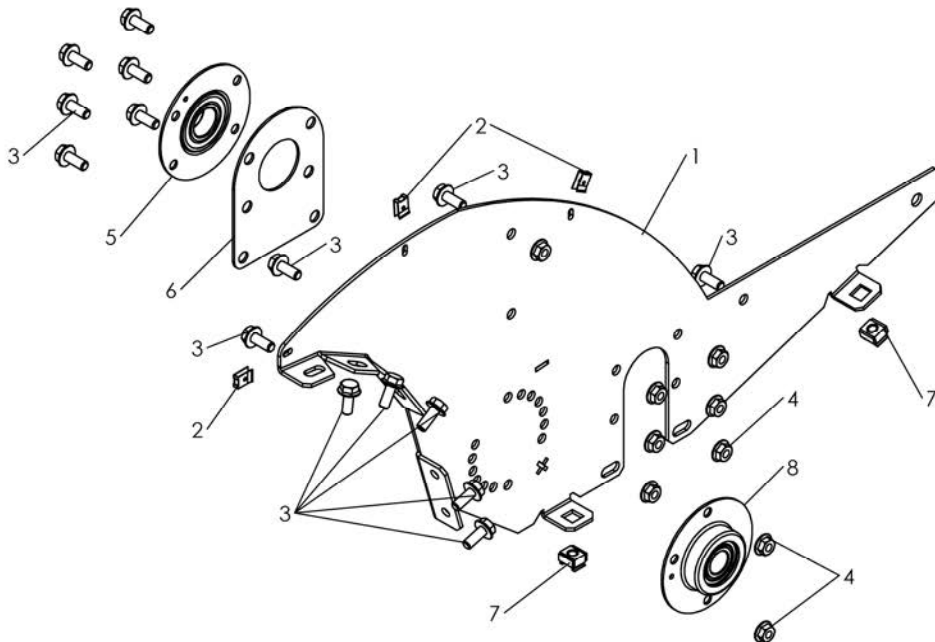
Rep N°	Ref.	Désignation	Description	Qté
1	5302013704	FLASQUE CAISSON DROIT NOIR RL4	PLATE RIGHT BLACK BOX RL460	1
2	4101020013	TROISIEME PALIER ASS	Blade guard hub	1
3	5302013708	FOURRURE CAISSON FL NOIR RL460	FUR BLACK BOX FL RL460	1
4	0300010838	VIS H 8x25 Z EMB CR DIN 6921 CL 6.8	SCREW H 8x25 Z DIN 6921 NOTCHED SHOULDER CL 6.8	4
5	0300020602	VIS CHC 6 X 20 Z	SCREW CHC M6x20z	1
6	0300260601	ECROU HM 6 ZEMB CR DIN 6923	NUT H M6 Z NOTCHED SHOULDER	2
7	5302013723	SUPPORT CAPOT FRONTAL NOIR	SUPPORT FRONT COVER BLACK RL46	1
8	5302013707	COUVERCLE CHI ROTOR NOIR RL460	LID ARGUES WITH BLACK ROTOR	1
9	0300260801	ECROU HM 8 ZEMB CR DIN 6923-8	NUT H M8 Z NOTCHED SHOULDER	5
10	0300210802	ECROU FREIN M 8 Z DIN 985/8	BLOCKING NUT HM 8 Z DIN 985/8	2
11	0300010816	VIS H 8x20 Z EMB CR	SCREW H M8X20 Z NOTCHED SHOULDER CL 8.8	2
12	0301000019	RIVET STD TP 6.4X22 14	RIVET STD TP 6.4X22 14	9

53\_Coupele latérale droite RLD1201 \_ Défaut:



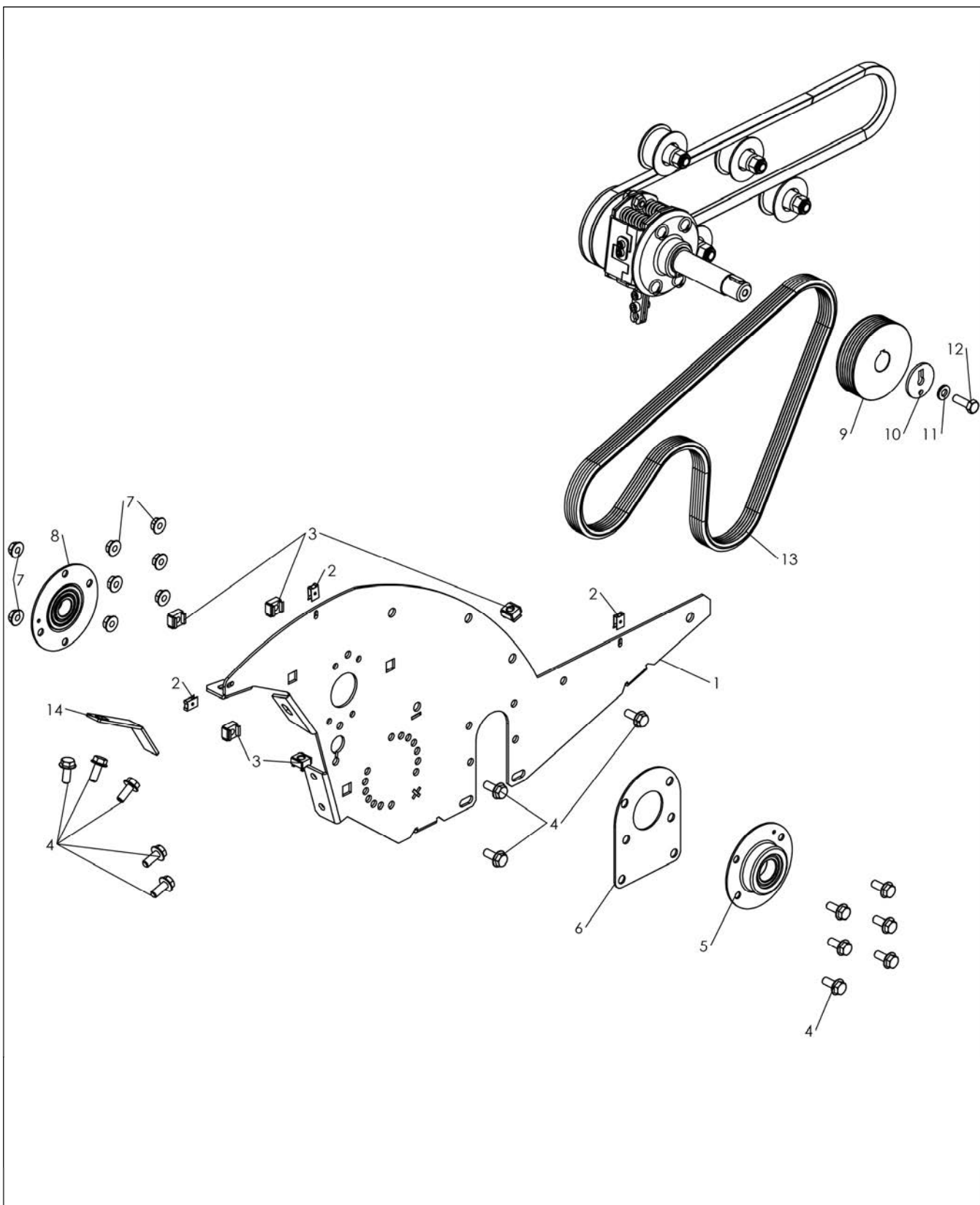
Rep N°	Ref.	Désignation	Description	Qté
1	0341000126	BAVETTE COUPELLE FLEAU	MUD FLAP BLADE GUARD	1
2	5302013710	SERRE BAVETTE CAISSON NOIR	GREENHOUSE FLAP BLACK BOX	1
3	0300010816	VIS H 8x20 Z EMB CR	SCREW H M8X20 Z NOTCHED SHOULDER CL 8.8	3
4	0300260801	ECROU HM 8 ZEMB CR DIN 6923-8	NUT H M8 Z NOTCHED SHOULDER	3
5	0302020222	ENTRETOISE EPAULEE VOLET FRONT	SPACER	2
6	0300400603	RONDELLE PLATE M 6X12X1 Z NFEN 25513	Washer M6x12x1.2z	2
7	0300010608	VIS H 6 X 12 Z NF EN 24017/6.8	Screw HM6x12	2
8	0305010037	RESSORT TRACTION FLASQUE CAISS	TENSION SPRING	2
9	5302013904	CARTER FRONTAL CAISSON JAUNE	CARTER FRONT HOUSING YELLOW	1

53\_Coupefle frontale PL \_ Couleur RL:

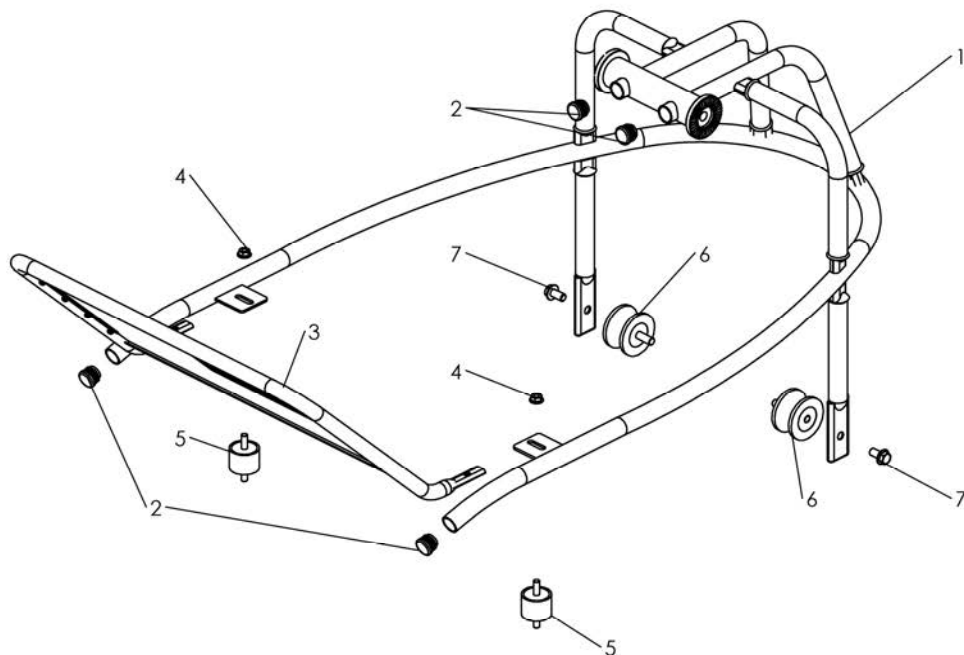


Rep N°	Ref.	Désignation	Description	Qté
1	5302013725	LONGERON DROIT PLIE NOIR	SPAR RIGHT BLACK WITCH	1
2	0301050001	CLIPS PRESTOLE Z/VIS 4.2 EP 4	CLIPS 4.2	3
3	0300010816	VIS H 8x20 Z EMB CR	SCREW H M8X20 Z NOTCHED SHOULDER CL 8.8	15
4	0300260801	ECROU HM 8 ZEMB CR DIN 6923-8	NUT H M8 Z NOTCHED SHOULDER	9
5	5201020020	MONTAGE PALIER Ø25	BEARING Ø25	1
6	5302013706	FOURRURE ESSIEU NOIRE RL460	FUR BLACK AXLE RL460	1
7	0300230803	Ecrou cage M8 4808-B-4	NUT RAPID M8	2
8	5201020019	PALIER ASSEMBLE D=20	BEARING Ø20	1

53\_Châssis latéral droit RLD1201 PL \_ PARTS LIST:

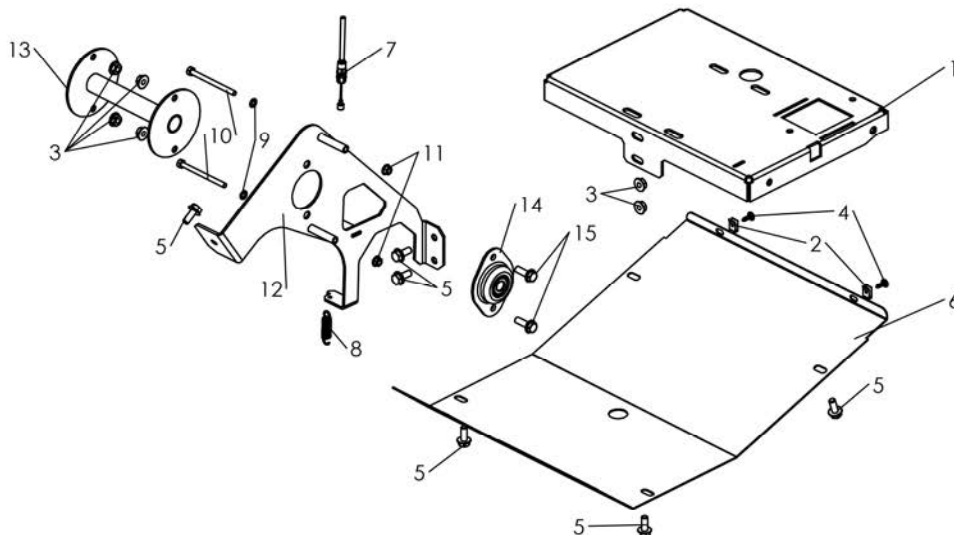


Rep N°	Ref.	Désignation	Description	Qté
1	5302013730	LONGERON GAUCHE PLIE NOIR	SPAR LEFT BLACK WITCH	1
2	0301050001	CLIPS PRESTOLE Z/VIS 4.2 EP 4	CLIPS 4.2	3
3	0300230803	Ecrou cage M8 4808 B-4	NUT RAPID M8	5
4	0300010816	VIS H 8x20 Z EMB CR	SCREW H M8X20 Z NOTCHED SHOULDER CL 8.8	14
5	5201020020	MONTAGE PALIER Ø25	BEARING Ø25	1
6	5302013706	FOURRURE ESSIEU NOIRE RL460	FUR BLACK AXLE RL460	1
7	0300260801	ECROU HM 8 ZEMB CR DIN 6923-8	NUT H M8 Z NOTCHED SHOULDER	8
8	5201020019	PALIER ASSEMBLE D=20	BEARING Ø20	1
9	0306060062	POULIE ENTR. FLEAUX PROFIL 6PK	DRIVEN PULLEY 6PK	1
10	0304000499	RONDELLE BLOCAGE POULIE TRANSM	PULLEY LOCK WASHER	1
11	0300480802	RONDELLE NORD-LOCK Ø8 SP	WASHER NORD-LOCK Ø8	1
12	0300010828	VIS H M8x25 CL8.8 ZN DIN 933 ISO4017	SCREW HM 8 X 25 ZN DIN 933	1
13	0306030089	COUROIE DOUBLE ENTR. FLEAUX	DUAL BELT	1
14	5303010050	GUIDE COURROIE AVANT EP3 EZ RL460	DRIVE-BELT GUIDE	1



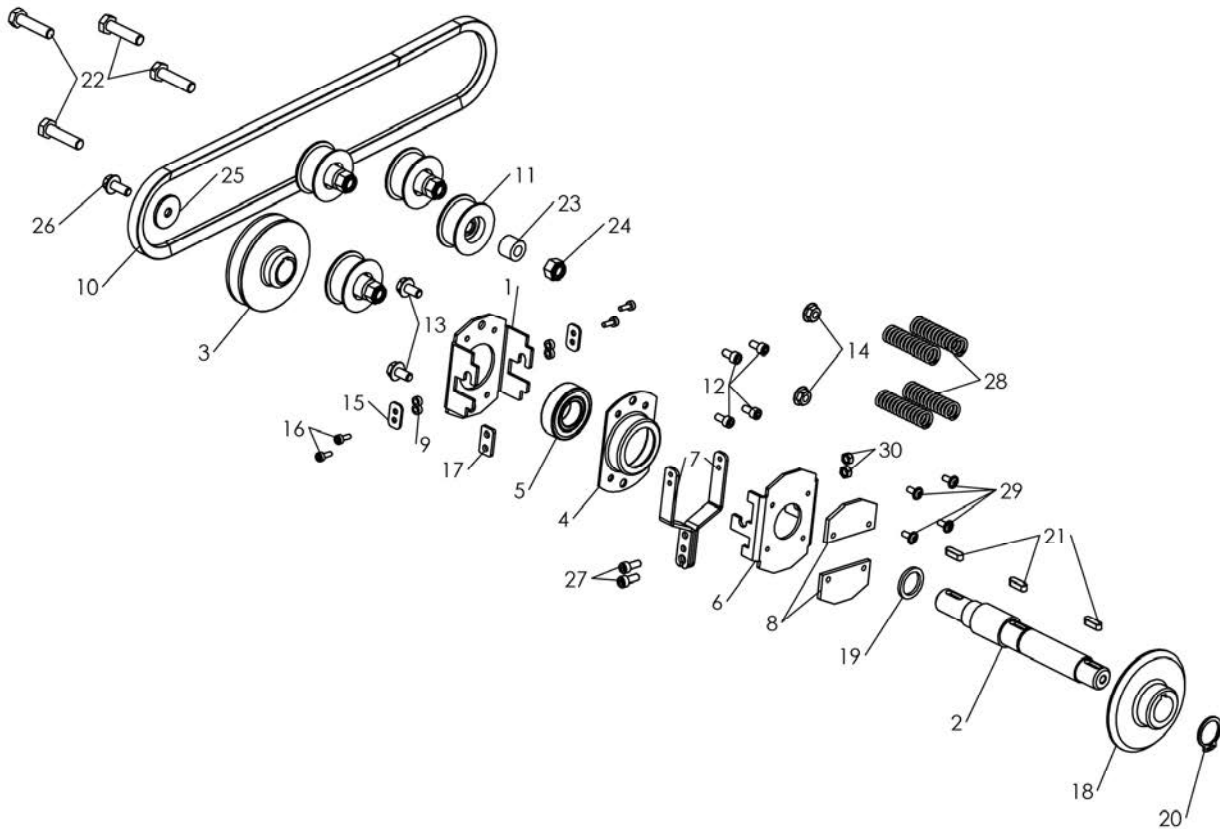
Rep N°	Ref.	Désignation	Description	Qté
1	5302013720	OSSATURE TUBULAIRE NOIR RL460	TUBE FRAME BLACK RL460	1
2	0341000127	BOUCHON A AILETTES PR TUBE Ø25	CAP FOR TUBE Ø25	4
3	5302013722	GRILLE ANTI PROTECTION NOIR	ANTI BLACK GRILLE PROTECTION	1
4	0300260801	ECROU HM 8 ZEMB CR DIN 6923-8	NUT H M8 Z NOTCHED SHOULDER	2
5	0341000128	SILENT BLOC T40-30 M8x20	SILENT BLOCK T40-30 M8x20	2
6	0341000129	SILENT BLOC DIABTD60.36 M10x30 REF AMC 129110	SILENT BLOC M10x30	2
7	0300011027	VIS H 10x20 Z EMB CR DIN 6921 CL 6.8	SCREW H 10x20 Z DIN 6921 NOTCHED SHOULDER CL 6.8	2

53\_Châssis tubulaire RLD1201 \_ Défaut:

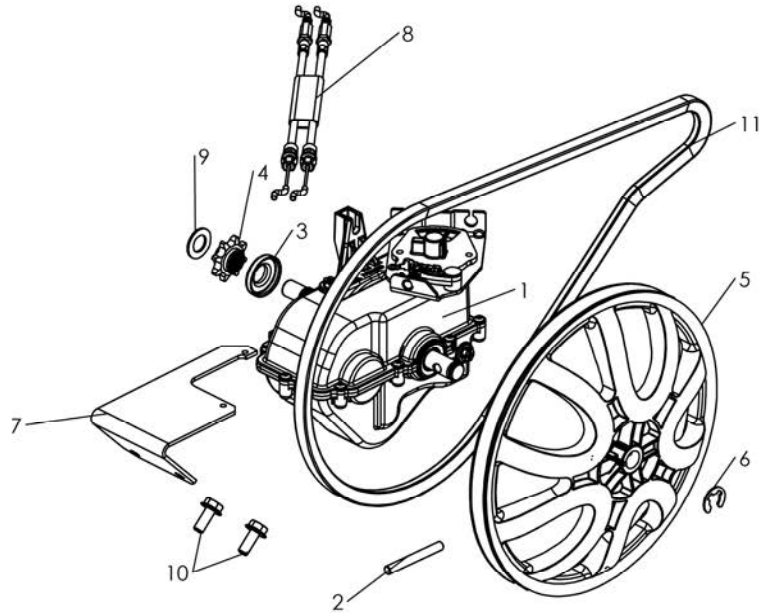


Rep N°	Ref.	Désignation	Description	Qté
1	5302013702	PLATINE MOTEUR RL460 NOIR	PLATINUM BLACK MOTOR RL460	1
2	0301050001	CLIPS PRESTOLE Z/VIS 4.2 EP 4	CLIPS 4.2	2
3	0300260801	ECROU HM 8 ZEMB CR DIN 6923-8	NUT H M8 Z NOTCHED SHOULDER	12
4	0300080405	VIS TOLE TETE POELIER D11 POZI Cr 4.2X16 Z	SCREW POZI 4.2X16Z	2
5	0300010816	VIS H 8x20 Z EMB CR	SCREW H M8x20 Z NOTCHED SHOULDER CL 8.8	7
6	5302013906	TOLE DE FOND PLIEE JAUNE RL460	YELLOW SHEET BACKGROUND RL460	1
7	0308050018	CABLE FREIN PARK Lg 600	BRAKE CABLE LG600	1
8	0305010036	RESSORT TRACTION FREIN FLEAUX	TENSION SPRING	1
9	0300400603	RONDELLE PLATE M 6X12X1 Z NFEN 25513	Washer M6x12x1.2z	2
10	0300010624	VIS H M6x80 Z	SCREW H M6x80 Z	2
11	0300210603	ECROU FREIN EMB M6 Z DIN 985-8	BLOCKING NUT M 6 Z	2
12	5302013713	SUPPORT BV NOIR RL460	SUPPORT BV BLACK RL460	1
13	5302013712	BRIDE SUPPORT BV NOIR RL460	SUPPORT BRIDE BV NOIR RL460	1
14	5301010002	PALIER RLTS EPAULE BV	BEARING 6204 RS	1
15	0300010838	VIS H 8x25 Z EMB CR DIN 6921 CL 6.8	SCREW H 8x25 Z DIN 6921 NOTCHED SHOULDER CL 6.8	2

53\_Châssis Moteur RLD1201 \_ Défaut:

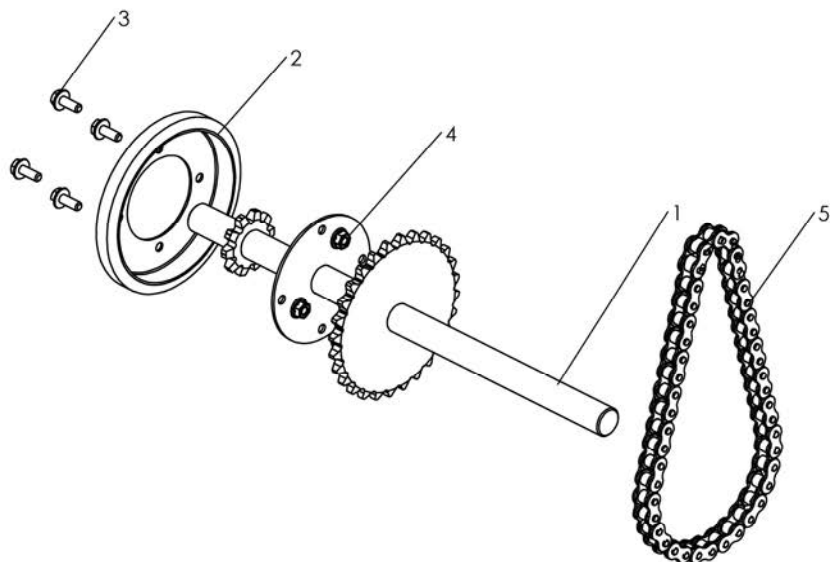


Rep N°	Ref.	Désignation	Description	Qté
1	0304000517	BASE DE TRACTION FREIN ZINGUEE	BRAKE TRACTION BASIS PLATE	1
2	0302010202	ARBRE PASS CLOISON v2	BRAKE SHAFT	1
3	0306060059	POULIE TRAP ENTR. FLEAUX	DRIVEN PULLEY	1
4	5304010064	PALIER TOLE Ø52 FREIN BRUT	BEARING PLATE Ø52	1
5	0306010017	ROULEMENT 6205 2 RS	BALL BEARING 6205 2RS	1
6	0304000518	SUPPORT PLAQUETTE FREIN	BRAKE PAD SUPPORT	1
7	0304000514	LEVIER ACTION FREIN ZINGUE	BRAKE ACTION LEVER	2
8	0302000024	PLAQUETTE DE FREIN	BRAKE PAD	2
9	0302020226	ENTRETOISE BRAS DE LEVIER	LEVER ARM SPACER	4
10	0306030092	COURROIE SUPER KB 4LK420 MITSUBOSHI	BELT SUPER KB 4LK420 MITSUBOSHI	1
11	0341000003	GALET 2 EPAULEMENTS ROUL 6200 ZZ	CLUTCH RUNNER ROUL 6200 ZZ	4
12	0300020608	VIS CHC 6 X 12 Z DIN 912 8.8	Screw CHC M6x12z	4
13	0300010815	VIS H 8x16 Z EMB CR DIN 6921 CL 6.8	SCREW H M8X16 Z NOTCHED SHOULDER CL 6.8	2
14	0300260801	ECROU HM 8 ZEMB CR DIN 6923-8	NUT H M8 Z NOTCHED SHOULDER	2
15	0304000515	PLAQUE DE MAINTIEN ZINGUEE	RETAINING PLATE	2
16	0300020502	Vis CHC M5x12	SCREW CHC M5x12	4
17	0304000516	ENTRETOISE LEVIER ZINGUEE	LEVER SPACER	1
18	0306060064	DISQUE DE FREIN Ø100	BRAKE DISC Ø100	1
19	0302020227	ENTRETOISE FREIN 22.2x30x3	BRAKE SPACER 22.2x30x3	1
20	0301070038	Circlip DIN471 Ø25 ep 2	CIRCLIP Ø25	1
21	0301040037	CLAVETTE TRANS FLEAUX V2 6 x 6 x 14	KEY 6 x 6 x 14	3
22	0300011004	VIS H 10 X 40 Z NFEN 24017	SCREW HM 10X40Z NFEN 24017	4
23	0302020228	ENTRETOISE 10.5x20x15.35	SPACER 10.5x20x15.35	4
24	0300211001	ECROU FREIN M 10 Z DIN 985/8	BLOCKING NUT M 10 Z	4
25	0300410806	RONDELLE PLATE 8X32X3 Z	PLATE WASHER	1
26	0300010816	VIS H 8x20 Z EMB CR	SCREW H M8X20 Z NOTCHED SHOULDER CL 8.8	1
27	0300020601	VIS CHC 6 X 16 Z DIN912 ISO4762	Screw CHC M6x16z	2
28	0305020022	RESSORT CP 17 x 60 FREIN ROTOR	COMPRESSION BRAKE SPRING 17x60	4
29	0300110503	Vis WN7380/2-010.9-TX25-M5x1 (A2K) Tête bombée TORX à emb	Screw WN7380/2-010.9-TX25-M5x1	4
30	0300210602	ECROU FREIN M 6 Z DIN 985-8	BLOCKING NUT M 6 Z	2



Rep N°	Ref.	Désignation	Description	Qté
1	3001000057	BOITE DE VITESSE F0603 BV2+1R DOIGT D'INDEXAGE	Gear box 2 front speed 1 reverse speed	1
2	0302010021	AXE FIXATION POULIE INVERSEUR MECANIQUE	PULLEY PIN SHAFT MECANIQUE	1
3	0303000026	ENTRETOISE 34.5x16x9 CARTER 8/37	Transmission spacer	1
4	0306050016	PIGNON 8 DTS 12.7 SIMPLE cannelé	PIGNON 8 TOOTH 12.7 RIBBED	1
5	0340010105	POULIE Ø260 GRIS 7040	TRANSMISSION PULLEY Ø206	1
6	0301070026	ANNEAU ELASTIQUE RADIAL DIAM12 DIN6799	RADIAL RETAINING RING Ø12	1
7	5302013714	RENFORT BV NOIR RL460	BRACE BLACK RL460 BV	1
8	0308010013	CABLE VIT DOUBLE LG900 CF75	Gear cable	1
9	0300411401	RONDELLE 14.2x25x1.5	Washer 14.2x25x1.5	1
10	0300010816	VIS H 8x20 Z EMB CR	SCREW H M8X20 Z NOTCHED SHOULDER CL 8.8	2
11	0306030057	COURROIE LA45	BELT LA45	1

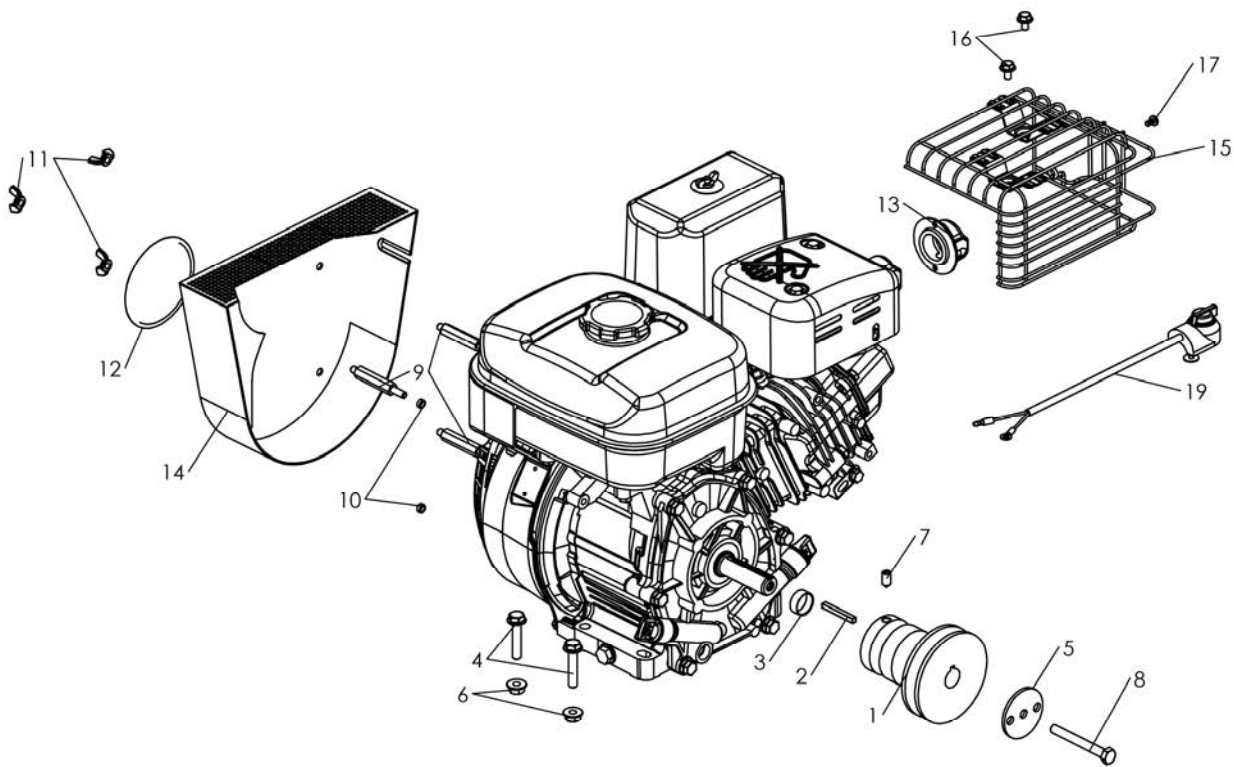
53\_Transmission M0701 PL \_ Défaut:



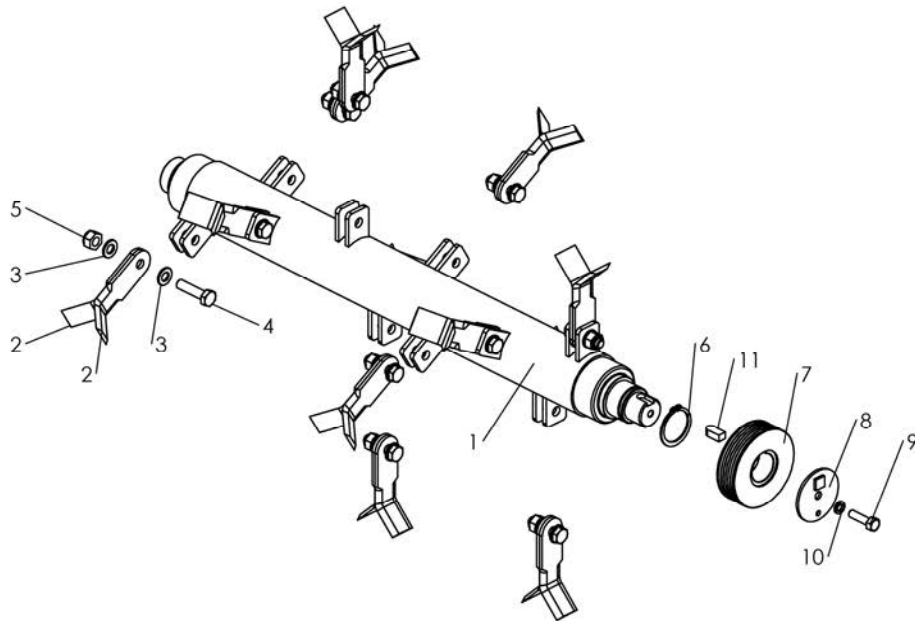
Rep N°	Ref.	Désignation	Description	Qté
1	5303010026	ARBRE INTERMEDIARE	INTERMEDIATE SHAFT	1
2	0306060030	RONDELLE DE FRICTION SURMOULEE	OVERMOLDED FRICTION WASHER	1
3	0300010609	VIS H 6x16 Z EMB CR DIN 6921	SCREW HM 6X16 Z NOTCHED SHOULD	4
4	0300260601	ECROU HM 6 ZEMB CR DIN 6923	NUT H M6 Z NOTCHED SHOULDER	4
5	0306020048	CHAINE OUV ISO44M 08B pas 12.7	CHAIN 08B 12.7	1

53\_Arbre de réduction PL \_ Défaut:



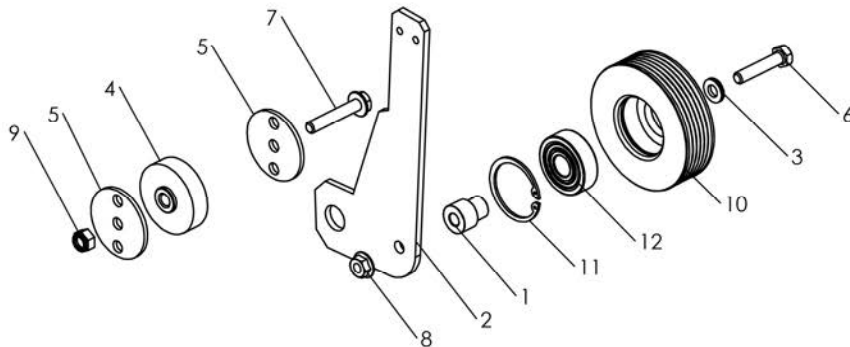


Rep N°	Ref.	Désignation	Description	Qté
1	0306060058	POULIE MOTEUR DOUBLE D55/D90	ENGINE DUAL PULLEY	1
2	0301040001	CLAVETTE 4.76X4.76X 40 BTS DRO TOL h 9 - XC 48	KEY 4.76X4.76X40 DRO TOL h 9 - XC 48	1
3	0302020220	ENTRETOISE MOTEUR	ENGINE SPACER	1
4	0300010817	VIS H 8x40 Z EMB CR DIN 6921	SCREW H M8 X 40	4
5	0304000498	RONDELLE D'APPUI	WASHER RESTRAINTS	1
6	0300260801	ECROU HM 8 ZEMB CR DIN 6923-8	NUT H M8 Z NOTCHED SHOULDER	4
7	0300040801	VIS STHC 8 X 16 N BT POINTU DIN 914 45H	SCREW ST HC M8X16 DIN 914 45H	1
8	0300060506	VIS TH 5/16 24 UNF LONG 70 Z	SCREW TH 5/16 24 UNF LG 70 Z	1
9	0302010195	GOIJON DEBRISGUARD	GUDGEON DEBRISGUARD	3
10	0302020175	ENTRETOISE Ø8 X Ø6 X 3	SPACER Ø8 X Ø6 X 3	4
11	0300240601	ECROU A OREILLES M6 DIN 315 A2	BUTTERFLY NUT M6 DIN 315 A2	3
12	0503000096	PICTOGRAMME NETTOYAGE DEBRISGU	PICTOGRAMME CLEANING DEBRISGUARD	1
13	0330012008	DEFLECTEUR HONDA GX200 GP160	GX200/GP160 EXHAUST DEFLECTOR	1
14	5302013903	DEBRIS SUB EP21 JAUNE RAL1021 RL460	DEBRIS SUB EP21 YELLOW RAL1021	1
14	5302013902	DEBRISG BS950 JAUNE RAL1021 RL460	DEBRIS BS950 YELLOW RAL1021	1
14	5302013901	DEBRIS GX200 JAUNE RAL 1021 RL460	DEBRIS GUARD YELLOW RAL 1021	1
15	0330032001	GRILLE ECHAPPEMENT EP	EXHAUST GRILL EP	2
15	0330012007	GRILLE ECHAPPEMENT GX200	Exhaust grill GX200	1
16	0300010620	VIS HM6 X 10 Z EMB LISSE CL6.8 NOIR x TETON CYL NFE25019	SCREW HM6 X 10 Z CL6.8 SMTH SHOULD PILOT PNT NFE25019	2
17	0300080404	VIS TOLE TCB 4.8X9.5 DIN 7981	SHEET SCREW TCB 4.8 X 9.5	1
18	0300080501	VIS METAUX TCB POZI 5X10 Z DIN 7985	POZIDRIVE SCREW M5x10Z	2
19	5301010010	FAISC SWITCH ON-OFF AV COSSES RL460 GX200	Switch engine cut-off	1



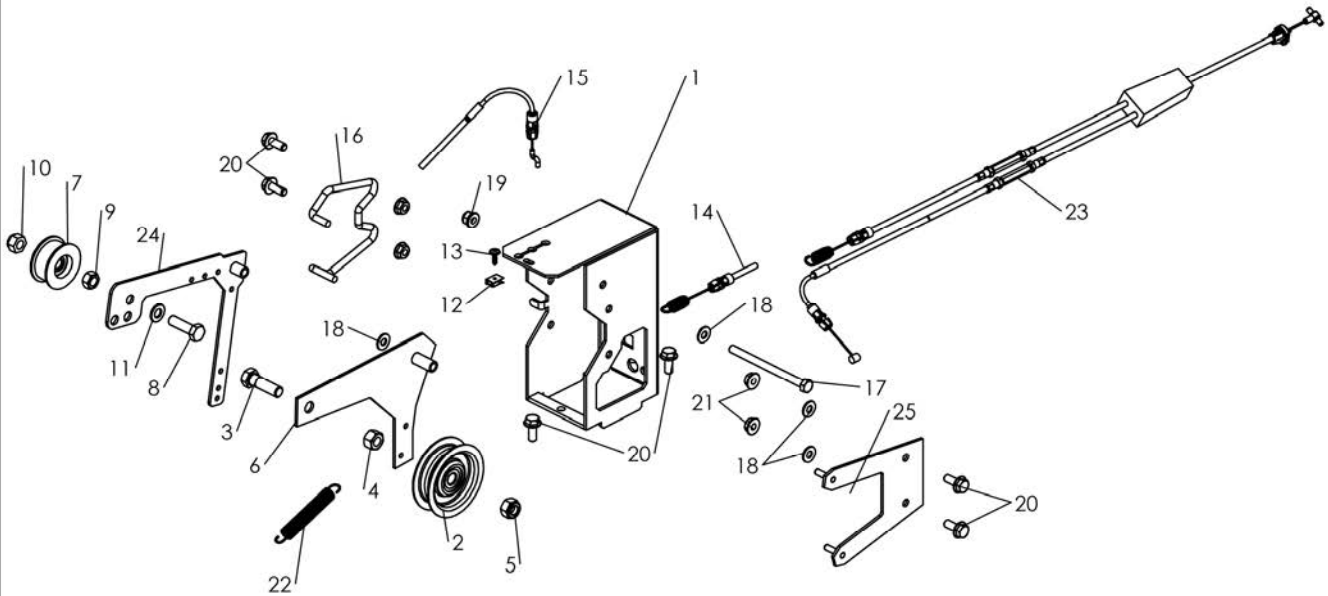
Rep N°	Ref.	Désignation	Description	Qté
1	5302010501	ROTOR EQUILIBRE GRIS RL460	ROTOR BALANCE GREY RL460	1
2	0320070003	COUTEAU ROTOR	BLADE ROTOR	24
3	0300401003	RONDELLE PLATE M 10X20X2 Z NFE 27611	Washer M 10x20x2z	24
4	0300011026	VIS H 10x40/26 N CL10.9 DIN931	SCREW H 10x40 DIN931	12
5	0300211001	ECROU FREIN M 10 Z DIN 985/8	BLOCKING NUT M 10 Z	12
6	0301070037	CIRCLIPS EXTER Ø40 DIN471	CIRCLIPS Ø40	1
7	0306060061	POULIE FLEAUX PROFIL 6PK	PULLEY 6PK	1
8	5302013709	RONDELLE BLOCAGE ROTOR NOIR	WASHER LOCK ROTOR BLACK	1
9	0300010807	VIS-DIN933-8.8-CLÉ13-M8X30	SCREW H 8 X 30/22 Z DIN 931 / 8.8	1
10	0300480801	RONDELLE NORDLOCK M8 NL8	NORDLOCK WASHER	1
11	0301040032	CLAVETTE ARBRE FLEAUX	KEY SHAFT	1

53\_Rotor assemblé \_ Défaut:

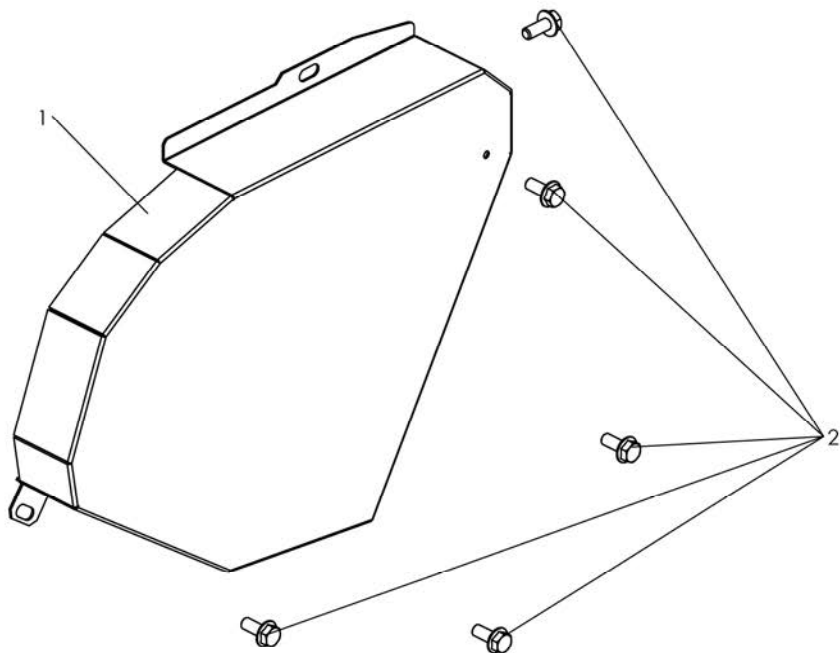


Rep N°	Ref.	Désignation	Description	Qté
1	0302010194	AXE POULIE FOLLE	DRIVEN PULLEY SHAFT	1
2	5303010014	LEVIER DE TENSION POULY-V	TENSION LEVER	1
3	0300480802	RONDELLE NORD-LOCK Ø8 SP	WASHER NORD-LOCK Ø8	1
4	0302020218	ENTRETOISE TENDEUR POULIE	TENSIONER PULLEY SPACER	1
5	0304000498	RONDELLE D'APPUI	WASHER RESTRAINTS	2
6	0300010829	VIS H M8x40 CL8.8 ZN DIN 931	SCREW H M8x40 CL8.8 ZN DIN 931	1
7	0300010818	VIS H 8x45 Z EMB CR DIN 6921	SCREW H M8 X 45	1
8	0300260801	ECROU HM 8 ZEMB CR DIN 6923-8	NUT H M8 Z NOTCHED SHOULDER	1
9	0300210802	ECROU FREIN M 8 Z DIN 985/8	BLOCKING NUT HM 8 Z DIN 985/8	1
10	0306060060	POULIE FOLLE FLEAUX PROFIL 6PK	DRIVEN PULLEY	1
11	0301070035	CIRCLIP INT 42 DIN472 J RENF	Circlip int 42	1
12	0306010065	RLT A BILLES 6302 2RS	BALL BEARING 6302 2RS	1

53\_Levier d'emb rotor RLD1201 PL \_ Avec poulie 6 PK:

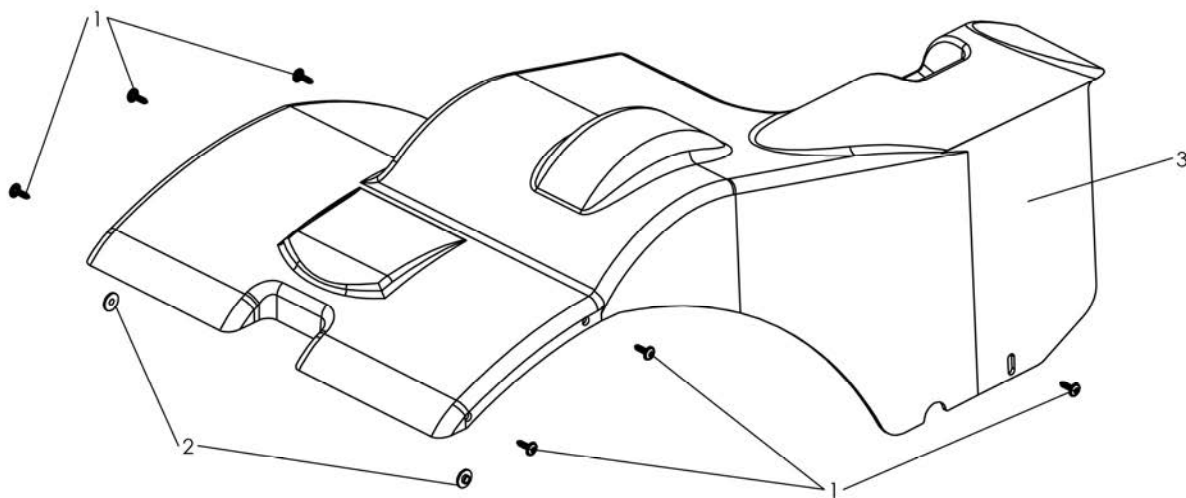


Rep N°	Ref.	Désignation	Description	Qté
1	5302013731	TOURELLE COMMANDE CABLE NOIR	TILT CONTROL CABLE BLACK	1
2	0306060023	Galet Embrayage Q Senior	Clutch runner	1
3	0300011203	VIS H 12 X 40 Z DIN 933/8.8	Screw HM 12x40z	1
4	0300201202	ECROU H.U. M 12 Z DIN 934-8	NUT HM 12Z	1
5	0300211201	ECROU FREIN M 12 Z DIN 985/8	BLOCKING NUT M 12 Z	1
6	5302013732	LEVIER EMBRAYAGE ROTOR NOIR	LEVER CLUTCH ROTOR BLACK	1
7	0341000003	GALET 2 EPAULEMENTS ROUL 6200 ZZ	CLUTCH RUNNER ROUL 6200 ZZ	1
8	0300011003	VIS H 10 X 35 FST Z NFEN 24017	SCREW HM 10X35Z FST	1
9	0300201002	ECROU H.U. M 10 Z DIN 934	NUT HM 10Z	1
10	0300211001	ECROU FREIN M 10 Z DIN 985/8	BLOCKING NUT M 10 Z	1
11	0300401003	RONDELLE PLATE M 10X20X2 Z NFE 27611	Washer M 10x20x2z	1
12	0301050001	CLIPS PRESTOLE Z/VIS 4.2 EP 4	CLIPS 4.2	1
13	0300080405	VIS TOLE TETE POELIER D11 POZI Cr 4.2X16 Z	SCREW POZI 4.2X16Z	1
14	0308020076	CABLE EMBRAYAGE BV LG 1050	CLUTCH CABLE LG 1050	1
15	0308050018	CABLE FREIN PARK LG 600	BRAKE CABLE LG600	1
16	0305030026	PATTE DE DEBRAYAGE BV	RELEASE TAB	1
17	0300010804	VIS-TH-DIN931-8.8-CLE13-M8X110	SCREW HM 8x110 z	1
18	0300400802	RONDELLE PLATE M 8X18X1.5 Z NFE 25513	PLATE WASHER M 8X18X1.5 Z NFE 25513	4
19	0300210804	ECROU FREIN EMB LISSE M8 Z DIN6926-8-CLE13	BLOCKING NUT HM 8 Z DIN6926-8	1
20	0300010816	VIS H 8x20 Z EMB CR	SCREW H M8X20 Z NOTCHED SHOULDER CL 8.8	6
21	0300260801	ECROU HM 8 ZEMB CR DIN 6923-8	NUT H M8 Z NOTCHED SHOULDER	4
22	0305010038	RESSORT TRACTION LEVIER ROTOR	LEVER TENSION SPRING	1
23	0308020082	CABLE DOUBLE EMBR ROTOR FLEAUX	DOUBLE CLUTCH CABLE	1
24	5302013716	LEVIER EMBRAYAGE BV NOIR	CLUTCH LEVER BLACK BV	1
25	5302013733	GUIDE COURROIE ARRIERE SOUDE RL460	WELDED REAR DRIVE-BELT GUIDE RL460	1



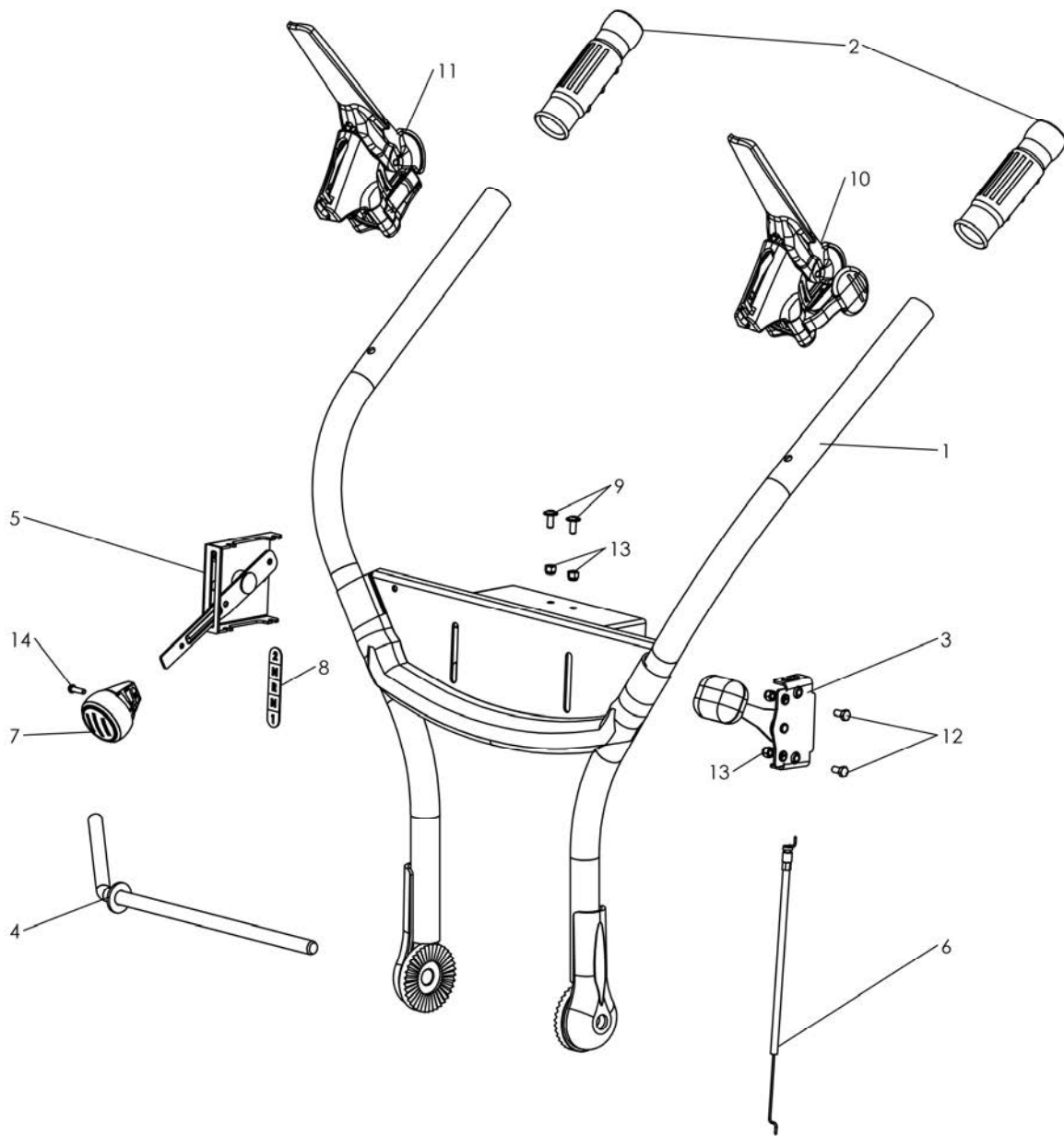
Rep N°	Ref.	Désignation	Description	Qté
1	5302013905	CARTER LATERAL R&L JAUNE	SIDE COVER R&L YELLOW	1
2	0300010816	VIS H 8x20 Z EMB CR	SCREW H M8X20 Z NOTCHED SHOULDER CL 8.8	5

53\_Capotage poulies rotor RLD1201 \_ Défaut;

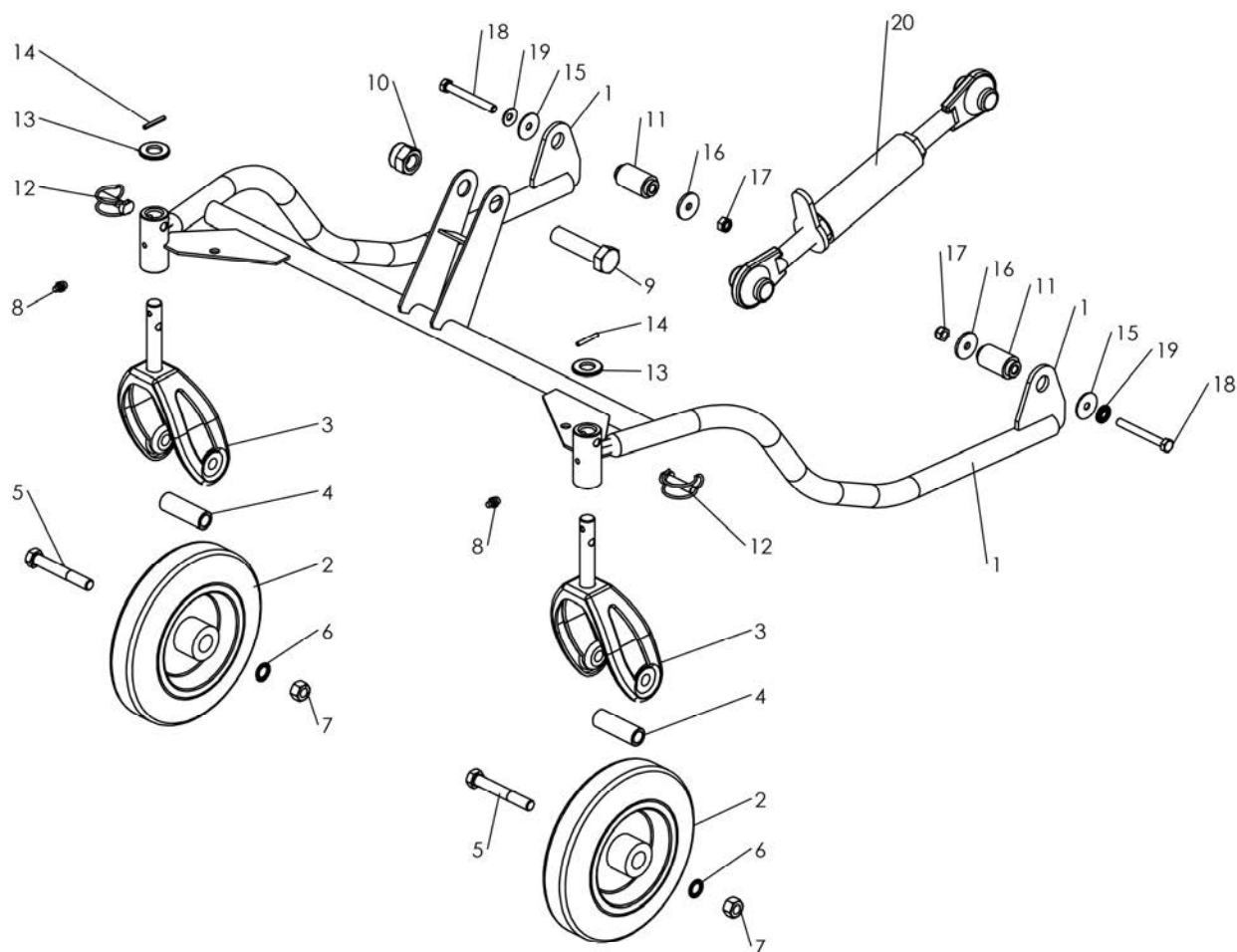


Rep N°	Ref.	Désignation	Description	Qté
1	0300080405	VIS TOLE TETE POELIER D11 POZI Cr 4.2X16 Z	SCREW POZI 4.2X16Z	6
2	0300470502	CANON EPAULE 5.2x6.9	WASHER 5.2 x 6.9	2
3	0340530101	CAPOT CENTRAL PLASTIQUE	COVER CENTRAL	1

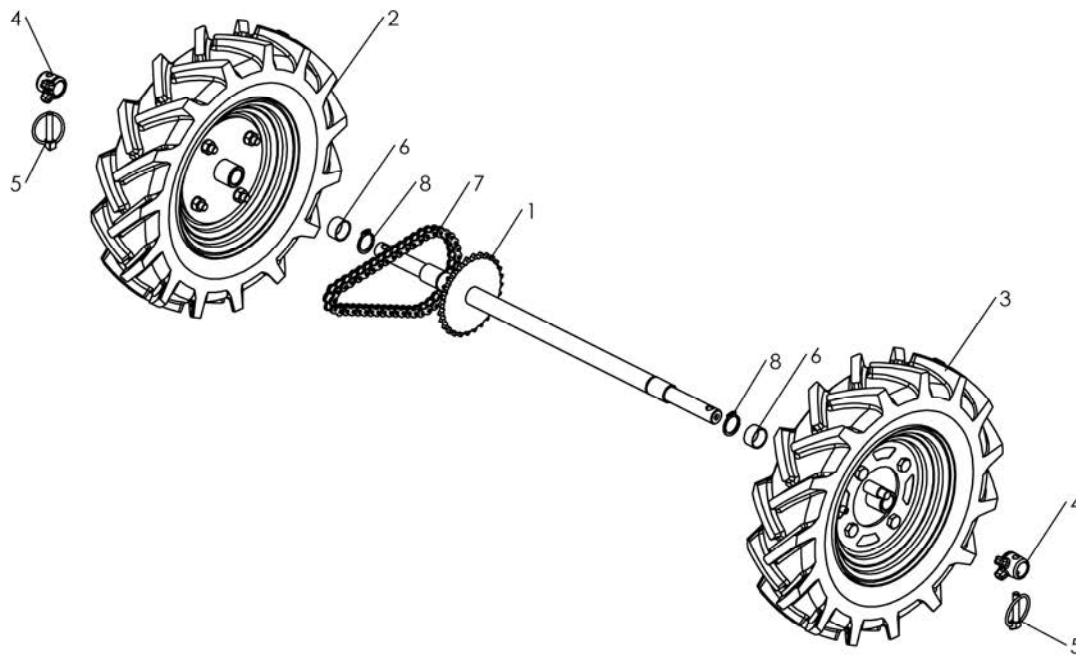
53\_Capotage RLD1201 \_ Défaut;



Rep N°	Ref.	Désignation	Description	Qté
1	5302013721	GUIDON RL460 NOIR	BLACK HANDLE RL460	1
2	0307020027	POIGNEE D=25	Handle Ø25	2
3	0307020026	POIGNEE ACCELERATEUR	throttle handle	1
4	4102023720	POIGNEE LATERALE NOIR GIVRE	SIDE HANDLE	1
5	3001000055	COMMANDE VITESSE F0603	GEAR LEVER CONTROL	1
6	0308080006	CABLE DE GAZ	Throttle cable	1
7	0340000011	POMMEAU LEVIER DE VIT M0701	SPEED SELECTOR LEVER	1
8	0503010315	STICKER VITESSE 2+N+R+N+1 F0603	SPEED LABEL 2+N+R+N+1	1
9	0300110503	Vis WN7380/2-010.9-TX25-M5x12 (A2K) Tête bombée TORX à emb	Screw WN7380/2-010.9-TX25-M5x1	2
10	0307010069	LM5C-SMR2-ORR - YELLOW LEVIER D EMBRAYAGE ROTOR RL460	HANDLEVER ROTOR RL460	1
11	0307010068	LM5C-SMR2-ORL - YELLOW LEVIER D EMBRAYAGE BV RL460	HANDLEVER BV RL460	1
12	0300010504	VIS H M5x10 CL8.8 ZN ISO 4017	SCREW H M5x10 CL8.8 ZN	2
13	0300210501	ECROU FREIN M 5 Z DIN 985/8	Blocking nut M5 Z	4
14	0300120404	VIS PT WN 1412 KB40x14 Z CRUCI	Screw PT WN 1412 KB 40x14	1



Rep N°	Ref.	Désignation	Description	Qté
1	5302013728	SUPPORT RJ SEUL NOIR RL460	BLACK WHEEL SUPPORT	1
2	0309000045	ROUE D=200 FASQUE TOLE	WHEEL Ø200	2
3	5302013727	CHAPE RJ NOIR RL460	BLACK WHEEL CASE	2
4	0302020124	ENTRETOISE COURTE ACIER	SHORT SPACER	2
5	0300011206	VIS H M 12x80/30 Z ISO 4014 CL 6.8	SCREW H M 12X80/30 Z ISO4014	2
6	0300441201	RONDELLE EVENTAIL 12 Z	EXTERNAL TOOTH LOCK WASHER 12	2
7	0300201202	ECROU H.U. M 12 Z DIN 934-8	NUT HM 12Z	2
8	0301000012	GRAISSEUR M6x100	Greaser M6x100	2
9	0300011801	VIS M18x70 CL8.8 ZN DIN933	SCREW M18x70	1
10	0300211801	ECROU H NYLSTOP M18	NUT H NYLSTOP M18	1
11	0302020219	ENTRETOISE PIVOT BRAS RJ	SPACER PIVOT	2
12	0301010013	GOUPILLE CLIPS 8 x 36	CLIP PIN D8 x 36	2
13	0300401601	RONDELLE PLATE M16 17x32x3 NFE 25-513M ZINGUEE	PLATE WASHER M16	2
14	0301020003	GOUPILLE HBK 4x30 ISO 8748ST	PIN Ø4x30	2
15	0300400801	RONDELLE PLATE 8X30X1.5 Z SERIE L U	PLATE WASHER	2
16	5303010018	RONDELLE D APPUI	SUPPORT WASHER	2
17	0300210802	ECROU FREIN M 8 Z DIN 985/8	BLOCKING NUT HM 8 Z DIN 985/8	2
18	0300010832	VIS HM8x70 Z cl 6.8 FST ISO4017	Screw HM8x70z	2
19	0300430801	RONDELLE CONTACT M8 NF E 25511	CONTACT WASHER 8	2
20	5302013719	BARRE POUSSEE NOIR RL460	PUSH ROD BLACK RL460	1



Rep N°	Ref.	Désignation	Description	Qté
1	5303010025	ARBRE ROUES MOTRICES	WHEEL DRIVE SHAFT	1
2	K309000020	ROUE DROITE DE 400	RIGHT BACK WHEEL	1
3	K309000025	ROUE GAUCHE DE 400	LEFT BACK WHEEL	1
4	K302000005	BUTEE D'ENTRAINEMENT DE ROUE	3/4 TURN NUT	2
5	0301010009	GOUPILLE CLIPS 8X42 ZING	Cotter-pin	2
6	0302020217	ENTRETOISE ROUE MOTRICE TUBE SERR. Ø28x1.5 NF 10 305	WHEEL DRIVE WASHER Ø28x1.5	2
7	0306020048	CHAINE OUV ISO44M 08B pas 12.7	CHAIN 08B 12.7	1
8	0301070038	Circlip DIN471 Ø25 ep 2	CIRCLIP Ø25	2

53\_Roues Arrières Ø400 \_ Défaut: