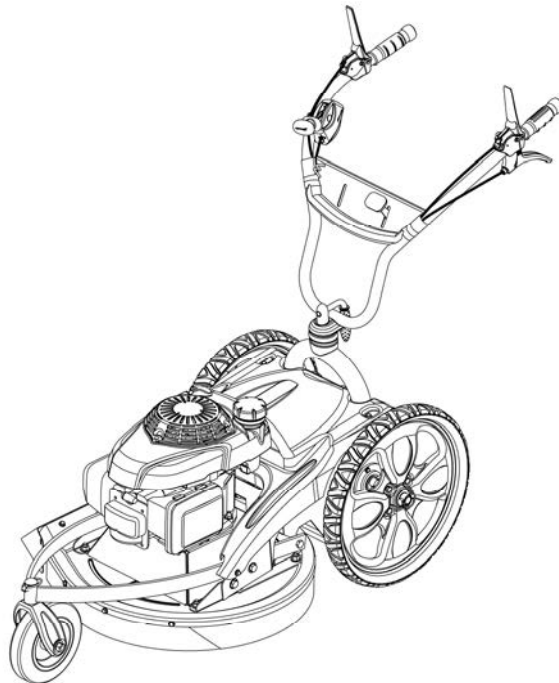
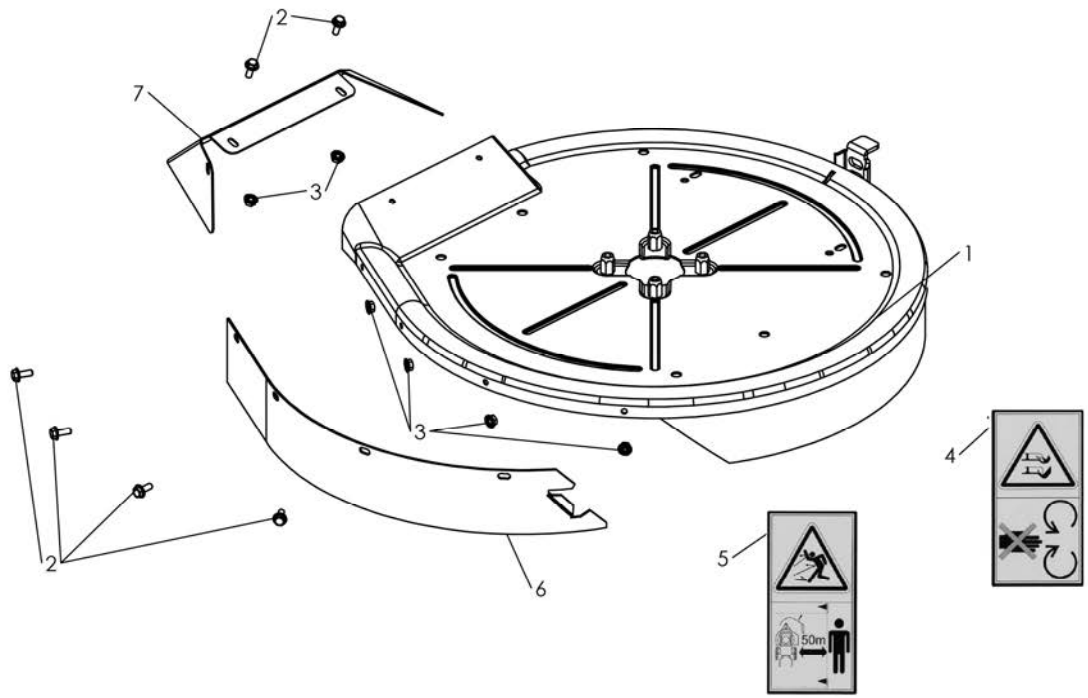


# Pièces de rechange

# Spare parts list

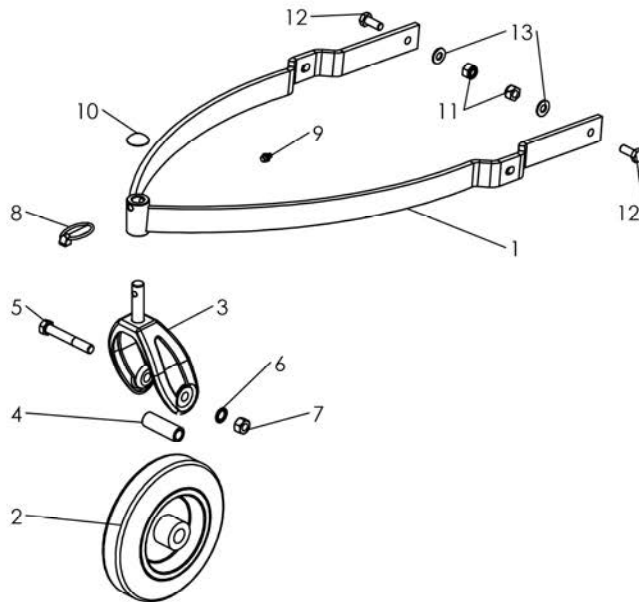
**4100\*\*07\*\***





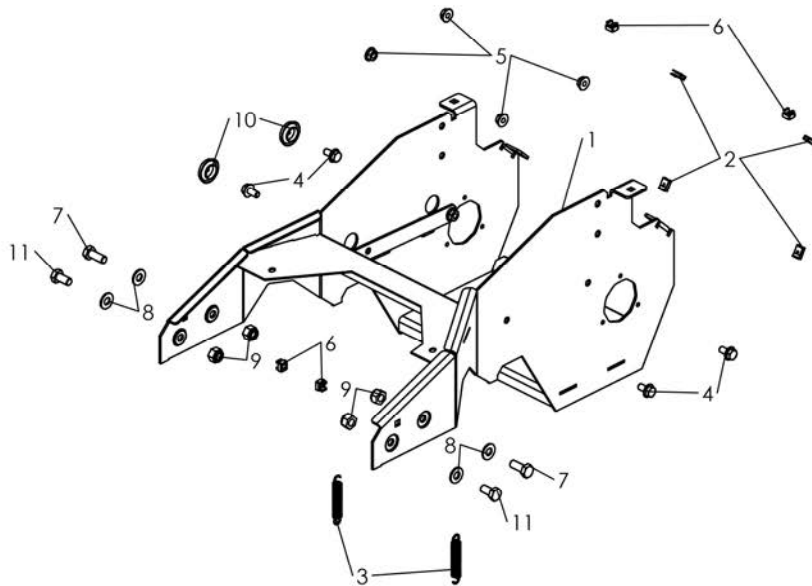
Rep N°	Ref.	Désignation	Description	Qté
1	4102073901	COUPELLE RL2008 V2 JAUNE	Yellow Blade guard RL2008 V2	1
2	0300010609	VIS H 6x16 Z EMB CR DIN 6921	SCREW HM 6X16 Z NOTCHED SHOULD	6
3	0300260601	ECROU HM 6 ZEMB CR DIN 6923	NUT H M6 Z NOTCHED SHOULDER	6
4	0503040022	AUTOCOL "DANGER" MAINS PIEDS	STICKER DANGER HANDS FEET	1
5	0503040033	DANGER AIREL EJECTION	STICKER DANGER EJECTION	1
6	4102043904	JUPE AVANT JAUNE	YELLOW FRONT DEFLECTOR	1
7	4102043903	ENDAINEUR JAUNE	YELLOW SIDE DEFLECTOR	1

41\_COUPELLE\_RL2008\_Défaut;



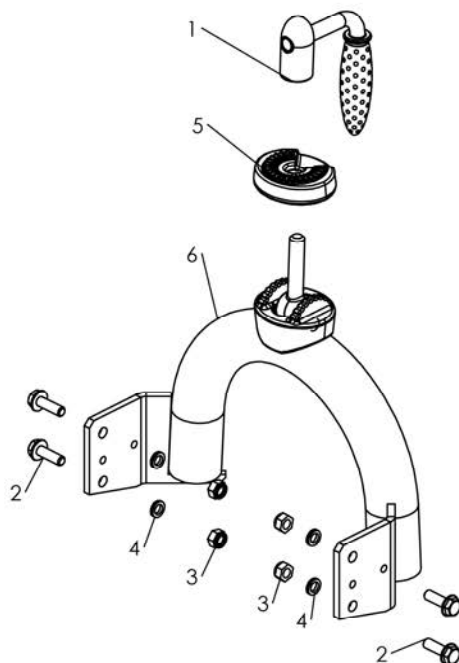
Rep N°	Ref.	Désignation	Description	Qté
1	4102023727	SUPPORT RJ NOIR GIVRE	black wheel support	1
2	0309000045	ROUE D=200 FASQUE TOLE	WHEEL Ø200	1
3	4102023703	CHAPE RJ NOIRE	BLACK WHEEL CASE	1
4	0302020124	ENTRETOISE COURTE ACIER	SHORT SPACER	1
5	0300011206	VIS H M 12x80/30 Z ISO 4014 CL 6.8	SCREW H M 12X80/30 Z ISO4014	1
6	0300441201	RONDELLE EVENTAIL 12 Z	EXTERNAL TOOTH LOCK WASHER 12	1
7	0300201201	ECROU M12	NUT M12	1
8	0301010009	GOUPILLE CLIPS 8X42 ZING	Cotter-pin	1
9	0301000012	GRAISSEUR M6x100	Greaser M6x100	1
10	0300701601	CALOTTE AUTO BLOQUANTE 16x30 6201630	TRIM STOPPER 16x30	1
11	0300211001	ECROU FREIN M 10 Z DIN 985/8	BLOCKING NUT M 10 Z	2
12	0300011008	VIS H 10 X25 Z DIN 933/8/8	SCREW H M10x25 Z	2
13	0300401002	RONDELLE PLATE M 10X22X2 Z NFE 27611	PLATE WASHER M 10X22X2 Z NFE 27611	2

41\_BRAS\_RJ\_RL2008\_Défaut;



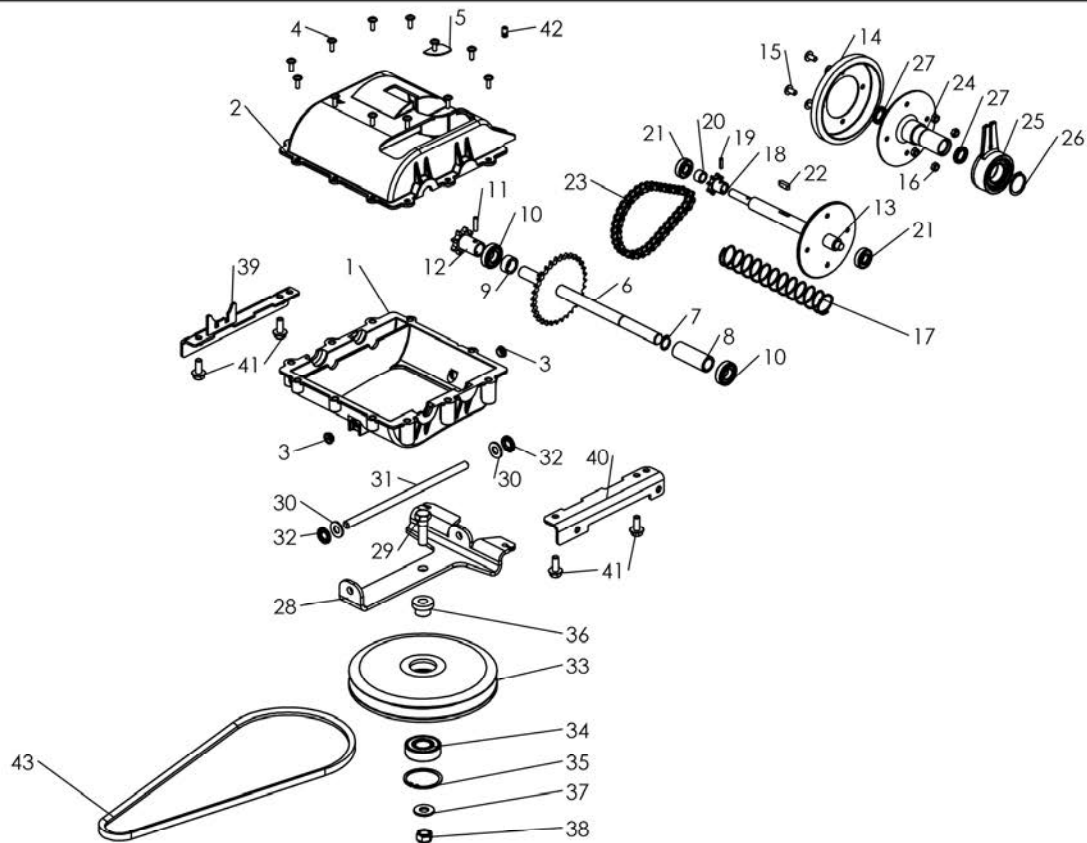
Rep N°	Ref.	Désignation Parts list	Description	Qté
1	4102073702	CHASSIS RL2008 NOIR GIVRE	BLACK FRAME RL2008	1
2	0301050001	CLIPS PRESTOLE Z/VIS 4.2 EP 4	CLIPS 4.2	4
3	0305010004	RESSORT TR 12.2x75.2 18/10 GAL	EXTENSION SPRING 12.2x75.2	2
4	0300010815	VIS H 8x16 Z EMB CR DIN 6921 CL 6.8	SCREW H M8X16 Z NOTCHED SHOULDER CL 6.8	4
5	0300260801	ECROU HM 8 ZEMB CR DIN 6923-8	NUT H M8 Z NOTCHED SHOULDER	5
6	K300230602	ECROU RAPID M6 C 4806 C	NUT RAPID M6 C 4806C	4
7	0300011008	VIS H 10 X25 Z DIN 933/8/8	SCREW H M10x25 Z	2
8	0300401002	RONDELLE PLATE M 10X22X2 Z NFE 27611	PLATE WASHER M 10X22X2 Z NFE 27611	4
9	0300211001	ECROU FREIN M 10 Z DIN 985/8	BLOCKING NUT M 10 Z	4
10	0341000138	BOUCHONS ETANCHEITE GPN 915 Ø25-27 ep tôle 0.5-3mm	CAP Ø25-27	2
11	0300011012	VIS H 6/8 10 X 20 Z DIN933/6.8	Screw H M10x20 z	2

41\_CHASSIS ARRIERE\_RL2008 \_ Version lisse:

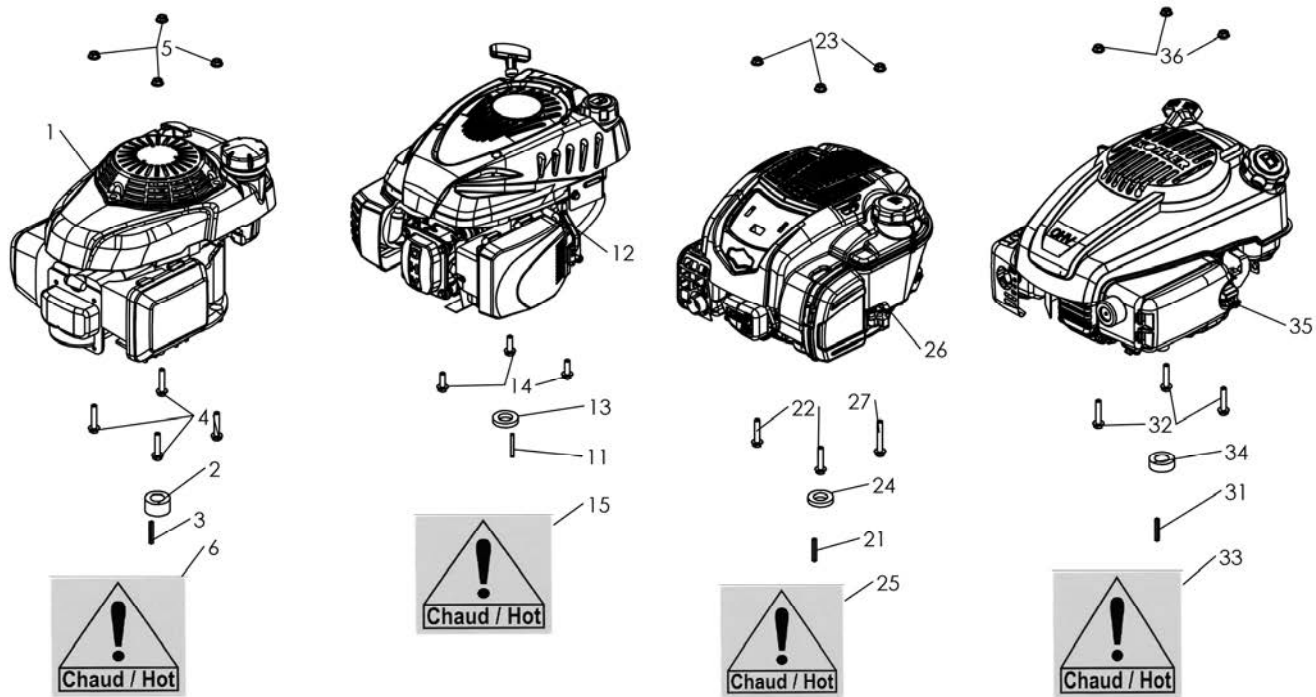


Rep N°	Ref.	Désignation	Description	Qté
1	0300801202	POIGNEE SERRAGE M12x125	Handlebar tightening lever	1
2	0300010838	VIS H 8x25 Z EMB CR DIN 6921 CL 6.8	SCREW H 8x25 Z DIN 6921 NOTCHED SHOULDER CL 6.8	4
3	0300210802	ECROU FREIN M 8 Z DIN 985/8	BLOCKING NUT HM 8 Z DIN 985/8	4
4	0300480801	RONDELLE NORDLOCK M8 NL8	NORDLOCK WASHER	4
5	0303000013	PIECE INTERM E51ProV2	Handlebar detent quadrant	1
6	4102073704	POTENCE RL2008 V2 NOIR GIVREE	STEM RL2008	1

41\_POTENCE\_RL2008 \_ Défaut:



Rep N°	Ref.	Désignation	Description	Qté
1	0340030041	CARTER INFERIEUR TRANSMISSION MODULAIRE	Modular transmission inferior case	1
2	0340030042	CARTER SUPERIEUR TRANSMISSION MODULAIRE	MODULAR TRANSMISSION SUPERIOR CASE	1
3	0306010036	BAGUE IGUS MCM 10-03	IGUS RING MCM 10-03	2
4	0300080505	VIS MX TCBL TORX M5X16 Z	SCREW TORX M5x16	12
5	0304000276	PLATINE CABLE TRANS MOD	CABLE PLATE	1
6	0302010102	ARBRE SORTIE TRANS MOD	Output shaft	1
7	0301070023	CIRCLIPS EXT. DE 15	EXTERNAL RETAINING RING 15	1
8	0302020100	ENTR. 22x15x56.7 N	SPACER 22X15X56.7	1
9	0302020099	ENTRETOISE 22x15x10.6	SPACER 22x15x10.6	1
10	0306010005	ROULEMENT 6002 2RS	BEARING BALL 6002 2RS	2
11	0301020015	GOUPILLE HBK 5X20 ISO 8748ST	PIN Ø5x20	1
12	0306050038	PIGNON 8 DENTS PAS 12.7 L37	Sprocket 8 teeth pitch 12.7 lenght 37	1
13	0302010100	ARBRE VARIATION TRANS MOD	Speed variation shaft	1
14	0306060030	RONDELLE DE FRICTION SURMOULEE	OVERMOLDED FRICTION WASHER	1
15	0300110606	VIS-WN7380/2-010.9-TX30-M6X12 (A2K) Vis Torks a embase	Screw Torx M6x12	4
16	0300210602	ECROU FREIN M 6 Z DIN 985-8	BLOCKING NUT M 6 Z	4
17	0305020014	RESSORT VARIATION VITESSE TRANSMISSION MODULAIRE	LOCKING SPRING	1
18	0306050035	PIGNON 8 DENTS PAS 9.525	SPROCKET 8 TEETH PITCH 9.525	1
19	0301020011	GOUPILLE HBK 4x14 ISO 8748ST	PIN Ø4x14 HBK	1
20	0302020097	ENTRETOISE 15x10.2x10	SPACER 15x10.2x10	1
21	0306010034	ROULEMENT 6000 2RS 10x26x8	6000 2RS BALL BEARING 10X26X8	2
22	0301040022	CLAVETTE 5x5x18 BTS ROND DIN 6885 FORME A	KEY 5x5x18 DIN 6885 A	1
23	0306020024	CHAINE ISO 06B-1 PAS 9.525 38 MAILLONS RSF	CHAIN ISO 06B-1 PITCH 9.525 38 CHAIN LINKS	1
24	0302010101	MOYEU MAV TRANS MOD	FORWARD HUB	1
25	0340030043	FOURCHETTE TRANSMISSION MODULAIRE	Modular transmission shift fork	1
26	0301070011	CIRCLIPS EXT. DE 25	EXTERNAL RETAINING RING 25	1
27	0343020004	JOINT A LEVRE 17X23X4/5 NBR TYPE WPK	Lip seal 17x23x4/5 NBR type WPK	2
28	0304000298	BALANCIER TRANS MOD KD1103	WALKING BEAM MOD TRANS KD1103	1
29	0300011203	VIS H 12 X 40 Z DIN 933/8.8	Screw HM 12x40z	1
30	0300401002	RONDELLE PLATE M 10X22X2 Z NFE 27611	PLATE WASHER M 10X22X2 Z NFE 27611	2
31	0302010103	AXE BALANCIER TRANSMISSION MODULAIRE	WALKING BEAM AXLE	1
32	0300461001	RONDELLE STARLOCK Ø10	Starlock washer Ø10	2
33	0303010002	POULIE OSCILLANTE TRANS MOD	OSCILLATING PULLEY	1
34	0306010035	ROULEMENT 6204 DDU EMQV1	6204 DDU EMQV1 Ball-Bearing	1
35	0301070006	CIRCLIP INTERIEUR 47 DIN472-47	INTERNAL RETAINING RING 47 DIN472-47	1
36	0302010104	AXE DE POULIE OSCILLANTE TRANSMISSION MODULAIRE	Oscillating pulley axle	1
37	0300401201	RONDELLE PLATE M 12X27X2.5 Z NFE 25513	PLATE WASHER M 12X27X2.5 Z NFE 25513	1
38	0300211201	ECROU FREIN M 12 Z DIN 985/8	BLOCKING NUT M 12 Z	1
39	KE02050201	SUPPORT DROIT TRANS MOD SOUDE ZN	RIGHT SUPPORT TRANS MOD	1
40	KE02050202	SUPPORT GAUCHE TRANS. MOD. PLIE ZN	LEFT SUPPORT TRANS MOD	1
41	0300010816	VIS H 8x20 Z EMB CR	SCREW H M8X20 Z NOTCHED SHOULDER CL 8.8	4
42	0308020049	CABLE MAR LG 40 CF100 BOITIER MODULAIRE	CLUTCH CABLE LENGHT 40MM STROKE 100MM	1
43	0306030055	COURROIE 6220MC AVX10 x 1000Lα	Belt AVX10 x 1000Lα BELT AVX10 x 1000Lα	1

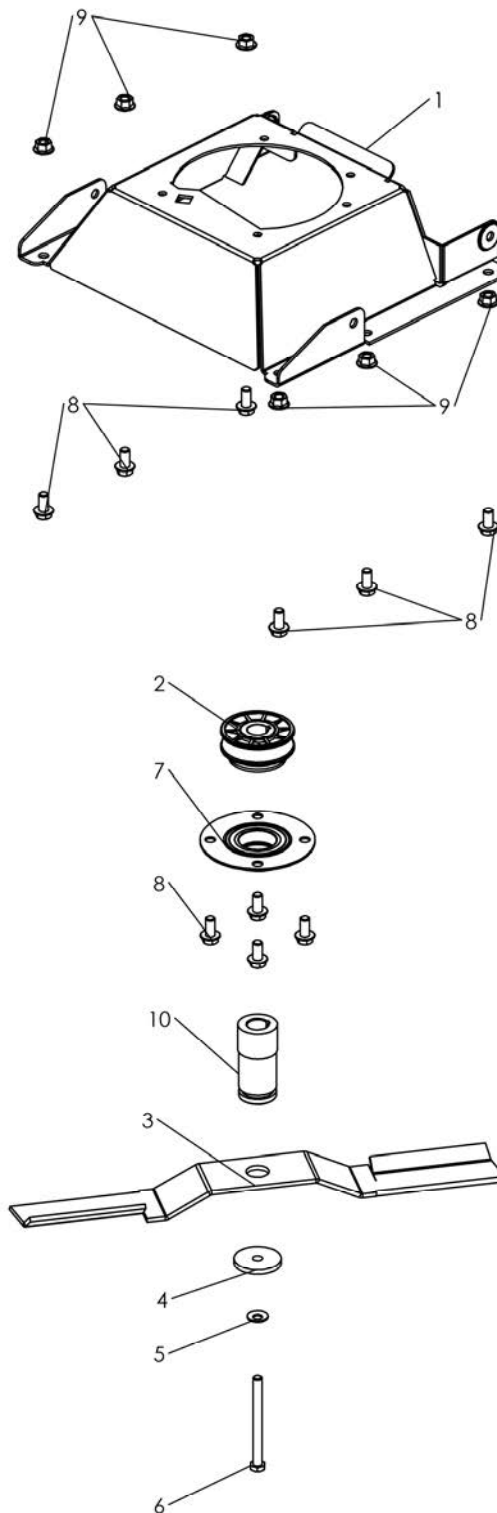


Rep N°	Ref.	Désignation	Description	HONDA GCV 190/Quantité
1	0330011027	HONDA GCV190 NOIR A1-P7-SD	Black Honda GCV190 A1-P7-SD	1
2	0302020045	ENTRETOISE 40x22x22 Moteur GCV E51ProV2	Spacer 40 x 22 x 22 (GCV)	1
3	0301040001	CLAVETTE 4.76X4.76X 40 BTS DRO TOL h 9 - XC 48	KEY 4.76X4.76X40 DRO TOL h 9 - XC 48	1
4	0300010817	VIS H 8x40 Z EMB CR DIN 6921	SCREW H M8 X 40	4
5	0300260801	ECROU HM 8 ZEMB CR DIN 6923-8	NUT H M8 Z NOTCHED SHOULDER	4
6	0503040044	ETIQUETTE CHAUD/HOT	STICKER HOT	1

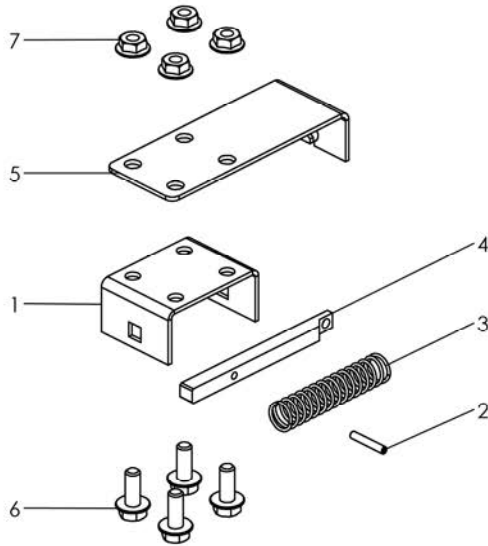
Rep N°	Ref.	Désignation	Description	RATO RV170/Quantité
11	0301040001	CLAVETTE 4.76X4.76X 40 BTS DRO TOL h 9 - XC 48	KEY 4.76X4.76X40 DRO TOL h 9 - XC 48	1
12	0330091005	RATO RV170 VOLANT LEGER	RATO RV170	1
13	0302020197	ENTRETOISE 40x22x6.8 Moteur R170 - BS	Spacer 40x22x6.8 Engine R170 - BS	1
14	0300010838	VIS H 8x25 Z EMB CR DIN 6921 CL 6.8	SCREW H 8x25 Z DIN 6921 NOTCHED SHOULDER CL 6.8	3
15	0503040044	ETIQUETTE CHAUD/HOT	STICKER HOT	1

Rep N°	Ref.	Désignation	Description	BRIGGS 675 SERIES/Quantité
21	0301040001	CLAVETTE 4.76X4.76X 40 BTS DRO TOL h 9 - XC 48	KEY 4.76X4.76X40 DRO TOL h 9 - XC 48	1
22	0300010817	VIS H 8x40 Z EMB CR DIN 6921	SCREW H M8 X 40	2
23	0300260801	ECROU HM 8 ZEMB CR DIN 6923-8	NUT H M8 Z NOTCHED SHOULDER	3
24	0302020197	ENTRETOISE 40x22x6.8 Moteur R170 - BS	Spacer 40x22x6.8 Engine R170 - BS	1
25	0503040044	ETIQUETTE CHAUD/HOT	STICKER HOT	1
26	0330021018	BRIGGS 675 SERIES VERTICAL	Engine BRIGGS 675 SERIES	1
27	0300010837	VIS H 8x55 Z EMB CR DIN 6921 CL 6.8 FILETAGE PARTIEL	SCREW H 8x55 Z DIN 6921 NOTCHED SHOULDER CL 6.8	1

Rep N°	Ref.	Désignation	Description	KOHLER XT775 /Quantité
31	0301040001	CLAVETTE 4.76X4.76X 40 BTS DRO TOL h 9 - XC 48	KEY 4.76X4.76X40 DRO TOL h 9 - XC 48	1
32	0300010817	VIS H 8x40 Z EMB CR DIN 6921	SCREW H M8 X 40	3
33	0503040044	ETIQUETTE CHAUD/HOT	STICKER HOT	1
34	0302020198	ENTRETOISE 40x22x14 Moteur Kohler	SPACER 40x22x14 KOHLER	1
35	0330101002	MOTEUR KOHLER XT-775	MOTOR KOHLER XT-775	1
36	0300260801	ECROU HM 8 ZEMB CR DIN 6923-8	NUT H M8 Z NOTCHED SHOULDER	3

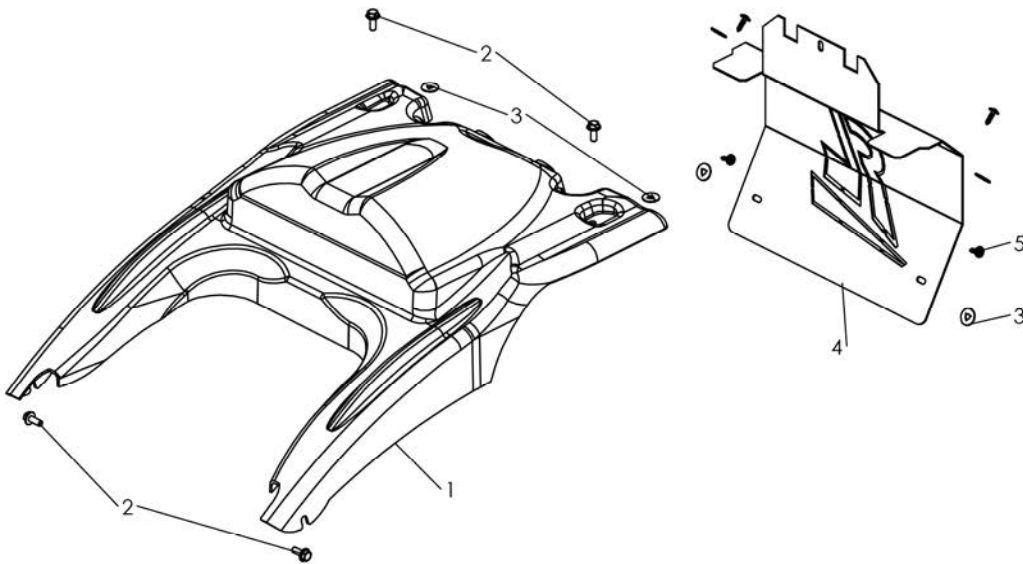


Rep N°	Ref.	Désignation	Description	Qté
1	4102073701	PLATINE MOTEUR SOUDEE NOIR	BLACK ENGINE SUPPORT	1
2	0306060014	POULIE MOTEUR VARIATRICE D22.2 FLASQUE MOBILE ALU	VARIATION MOTOR PULLEY Ø22.2	1
3	0320020017	LAME COUDEE L=53	Blade L=53	1
4	0302020161	RONDELLE DE BLOCAGE	Lock washer	1
5	0300431001	RONDELLE CONTACT 10 BIC NFE 25-511	Elastic washer 10 Bic	1
6	0300060309	VIS 3/8 TH24 UNF LG 105 Z	Screw 3/8 TH24 UNF Lg70	1
7	4101020013	TROISIEME PALIER ASS	Blade guard hub	1
8	0300011027	VIS H 10x20 Z EMB CR DIN 6921 CL 6.8	SCREW H 10x20 Z DIN 6921 NOTCHED SHOULDER CL 6.8	10
9	0300261001	ECROU HM 10 ZEMB CR DIN 6923	Nut H M10 notched shoulder	6
10	0302030114	MOYEU DE LAME RL2006	Blade hub RL2006	1



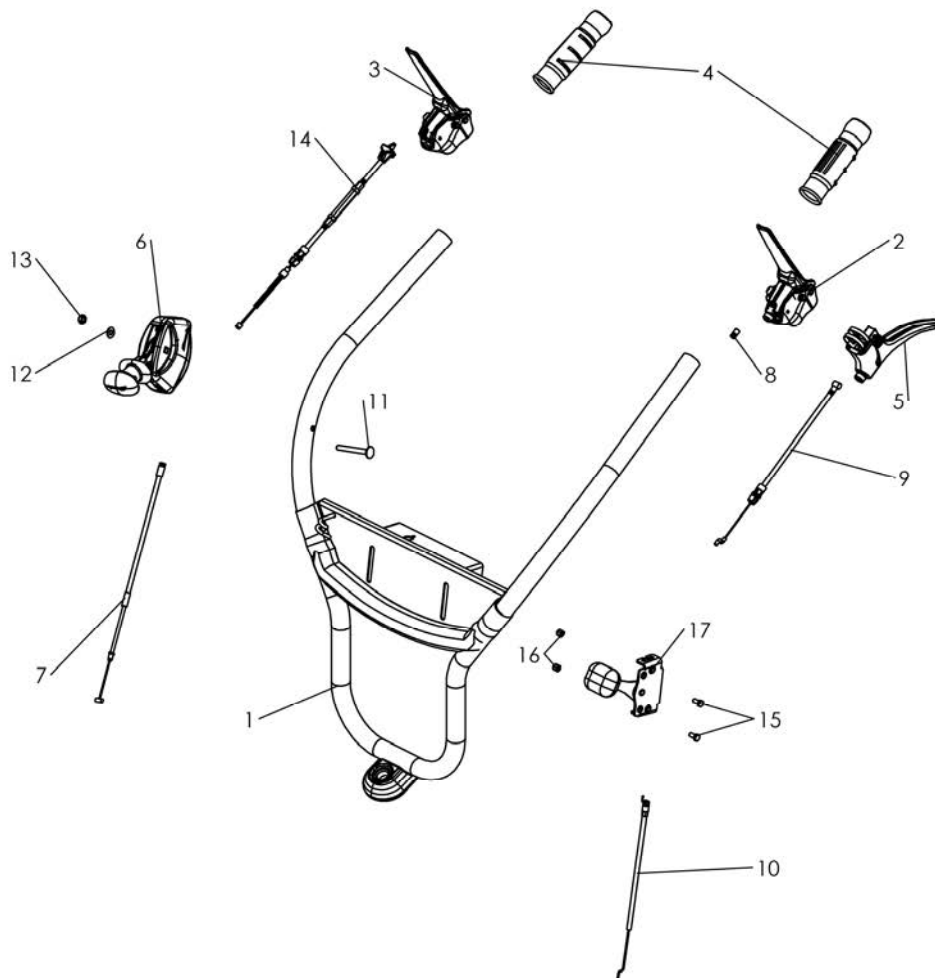
Rep N°	Ref.	Désignation	Description	Qté
1	4002000102	SUPP AXE RELEVAGExE51-03xBICHx	Locking pin support	1
2	0301020002	GOUPILLE HBK 4x24	Cotter-pin 4x24 HBK	1
3	0305020001	RESSORT CP 13,4x75 16/10	Locking spring	1
4	0302010030	AXE RELEVAGE xE51-03xBICHx	Locking pin	1
5	4102040101	SUPP VERR RELEVAG XTREM RL2008	Support locking raising	1
6	0300010816	VIS H 8x20 Z EMB CR	SCREW H M8X20 Z NOTCHED SHOULDER CL 8.8	4
7	0300260801	ECROU HM 8 ZEMB CR DIN 6923-8	NUT H M8 Z NOTCHED SHOULDER	4

41\_FONCTION AXE DE RELEVAGE\_RL2006



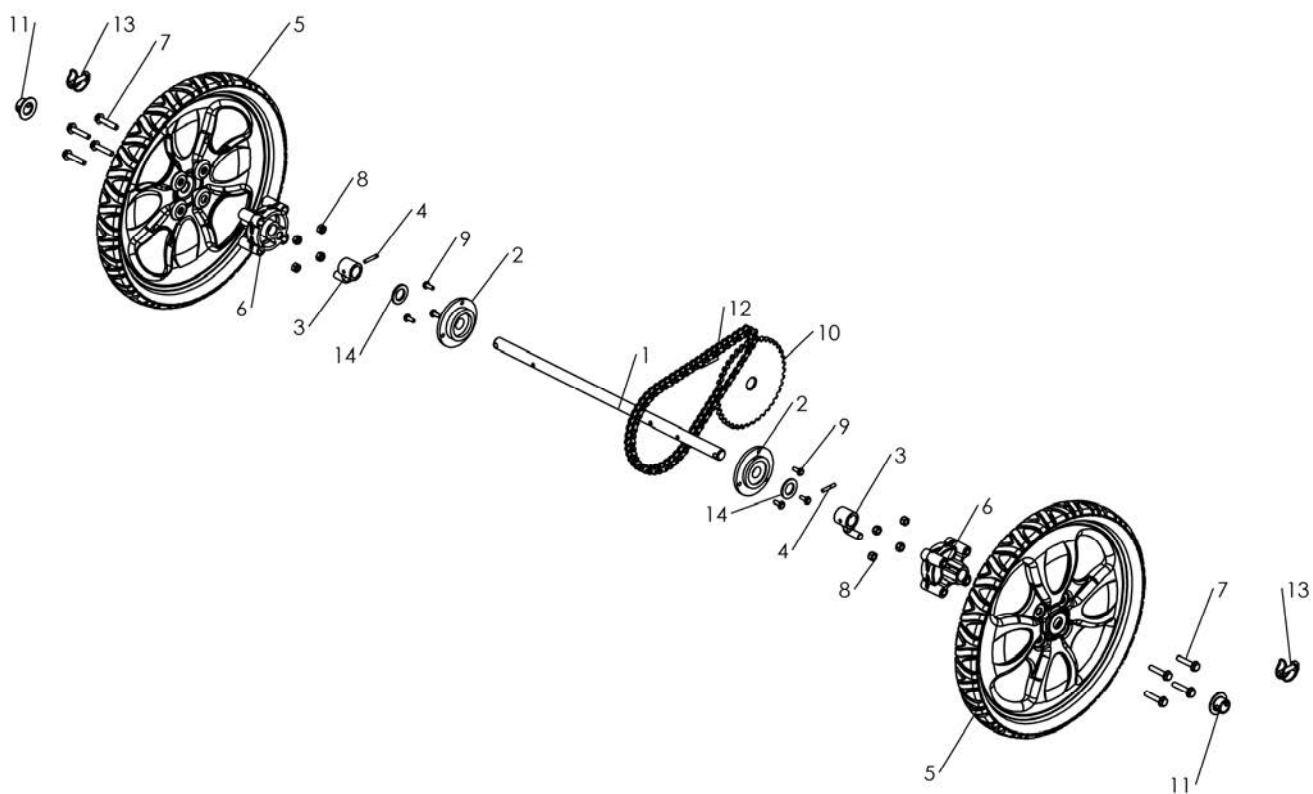
Rep N°	Ref.	Désignation	Description	Qté
1	0340410001	CAPOT JAUNE	YELLOW CARTER	1
2	0300010609	VIS H 6x16 Z EMB CR DIN 6921	SCREW HM 6X16 Z NOTCHED SHOULD	4
3	0300470501	RONDELLE NOIR PA6.6 QUICKLOCK SERIE60	BLACK PA6.6 WASHER QUICKLOCK SERIE60	6
4	4102043902	CAPOT ARRIERE	REAR CARTER	1
5	0300080405	VIS TOLE TETE POELIER D11 POZI Cr 4.2X16 Z	SCREW POZI 4.2X16Z	4

41\_CAPO\_TL2008 \_ Défaut:



Rep N°	Ref.	Désignation	Description	Qté
1	4102073704	GUIDON PERCE NOIR GIVRE	BLACK HANDLEBAR	1
2	0307010051	POIGNEE 207108 MONTEE AVEC CAB	Handle with cable	1
3	0307010064	LEVIER EMBR MAV LASC C30 Ø25	CLUTCH LEVER Ø25	1
4	0307020027	POIGNEE D=25	Handle Ø25	2
5	0307010066	LEVIER REG HT LAB D7B01+TEMPO LABC7B01.RH	LEVER LAB D25 STROKE 30 Handlebar D25mm	1
6	0307020021	MANETTE VAR. VITESSE x LGK07FK40	Speed transition lever LGK07FK40	1
7	0308010018	CABLE VARIATION VITESSE LG GAINE 870 C45 COUDE	VARIATION SPEED CABLE LENGHT 870	1
8	0308050012	CABLE FREIN MOTEUR 1354/55 (manette LASC)	ENGINE BRAKE CABLE 1354/55 (LASC lever)	1
9	0308030012	CABLE REGL HAUTEUR COUPELLE	Height setting cable	1
10	0308080006	CABLE DE GAZ	Throttle cable	1
11	0300080605	VIS TRCC 6 X 55/20 Z Din603	Screw TRCC M6x55 z	1
12	0300400602	RONDELLE PLATE M 6X14X1.2 Z	PLATE WASHER M 6X14X1.2 Z NFEN 25513	1
13	0300210602	ECROU FREIN M 6 Z DIN 985-8	BLOCKING NUT M 6 Z	1
14	0308020071	CABLE EMBR MAV LG1080 CF125	CLUTCH CABLE LENGHT 1080 STROK 125	1
15	0300010504	VIS H M5x10 CL8.8 ZN ISO 4017	SCREW H M5x10 CL8.8 ZN	2
16	0300210501	ECROU FREIN M 5 Z DIN 985/8	Blocking nut M5 Z	2
17	0307020026	POIGNEE ACCELERATEUR	throttle handle	1





Rep N°	Ref.	Désignation	Description	Qté
1	0302010171	ARBRE DE ROUE	WHEEL SHAFT	1
2	0340030013	PALIER ARBRE ROUE DIAM 20	WHEEL FLANGE BEARING Ø20	2
3	0302030014	MOYEU ROUE INTERIEUR xE51x	Wheel hub E51	2
4	0301020004	GOUPILLE HBK 5x30 ISO 8748ST	Pin Ø5x30 HBK	2
5	4101020008	ROUE NOIRE GIVREE ASSEMBLEE	BLACK WHEEL	2
6	0340030050	MOYEU DE ROUE D1001 NOIR RAL9005	Black RAL9005 D1001 wheel hub	2
7	0300010817	VIS H 8x40 Z EMB CR DIN 6921	SCREW H M8 X 40	8
8	0300210802	ECROU FREIN M 8 Z DIN 985/8	BLOCKING NUT HM 8 Z DIN 985/8	8
9	0300090602	VIS AUTOTAR TH A EMB 6 X 16 Z	Screw HM6x16 z Self-tapping	6
10	0306050090	PIGNON 40dts PAS 12.7	PINION 40 TEETH	1
11	0302020196	BAGUE ARRET ROUE	RING STOP WHEEL	2
12	0301020014	GOUPILLE HBK 6x40 ISO 8748ST	COTTER-PIN 6X40 HBK	1
13	0301010013	GOUPILLE CLIPS 8 x 36	CLIP PIN D8 x 36	2
14	0300402001	RONDELLE PLATE 21x36x3z	WASHER 21x36x3z	2
15	0306020044	CHAINE OUV. ISO 08B 12.7mm	CHAIN 08B 12.7	1