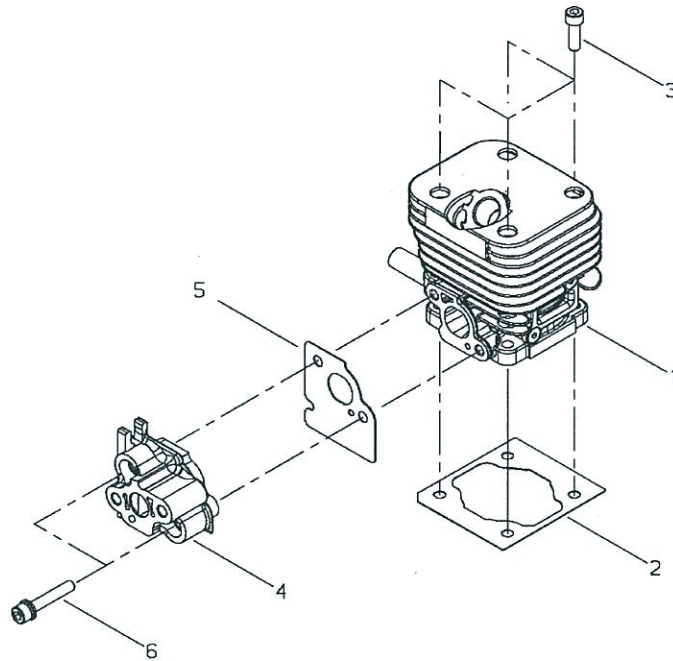


SHINDAIWA
C282S EC2.

C282S EC2, -1--1, Ref.1
C282S EC2, 2010/03/31

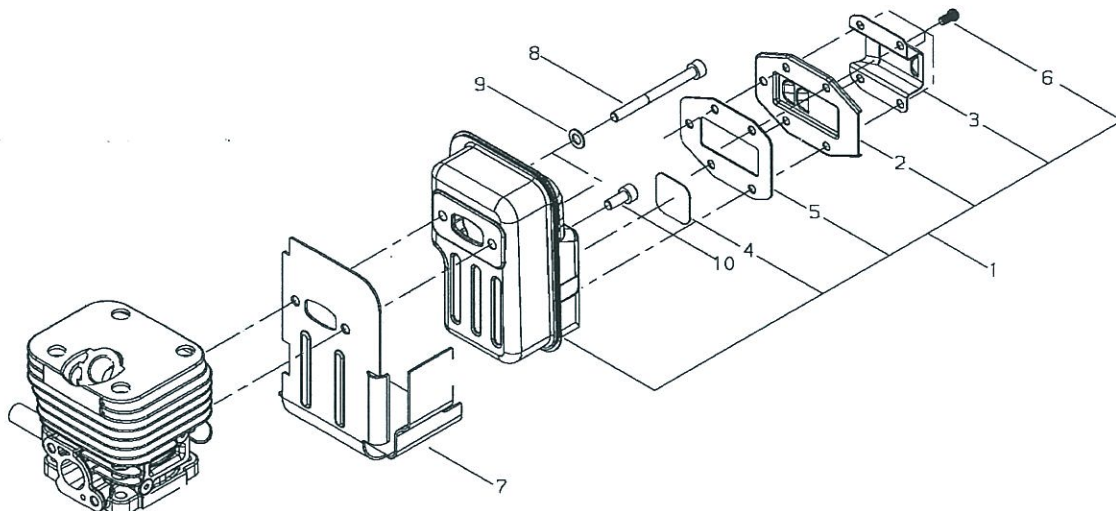


C282S EC2, -1--1, Ref.1
C282S EC2, 2010/03/31

Key	Lv	Part no.	Part description	Quantity	Note1	Note2
1		A130-001280	CYLINDER COMP	1		
2		V100-000440	GASKET	1		
3		900105-05016	BOLT, H.S. 5*16	4	M5x16	
4		A200-000620	INSULATOR	1		
5		V103-000660	GASKET	1		
6		V203-000580	BOLT,5	2	M5x30	

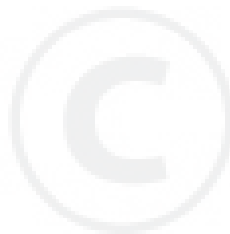


C282S EC2, -1--1, Ref.2
C282S EC2, 2010/03/31

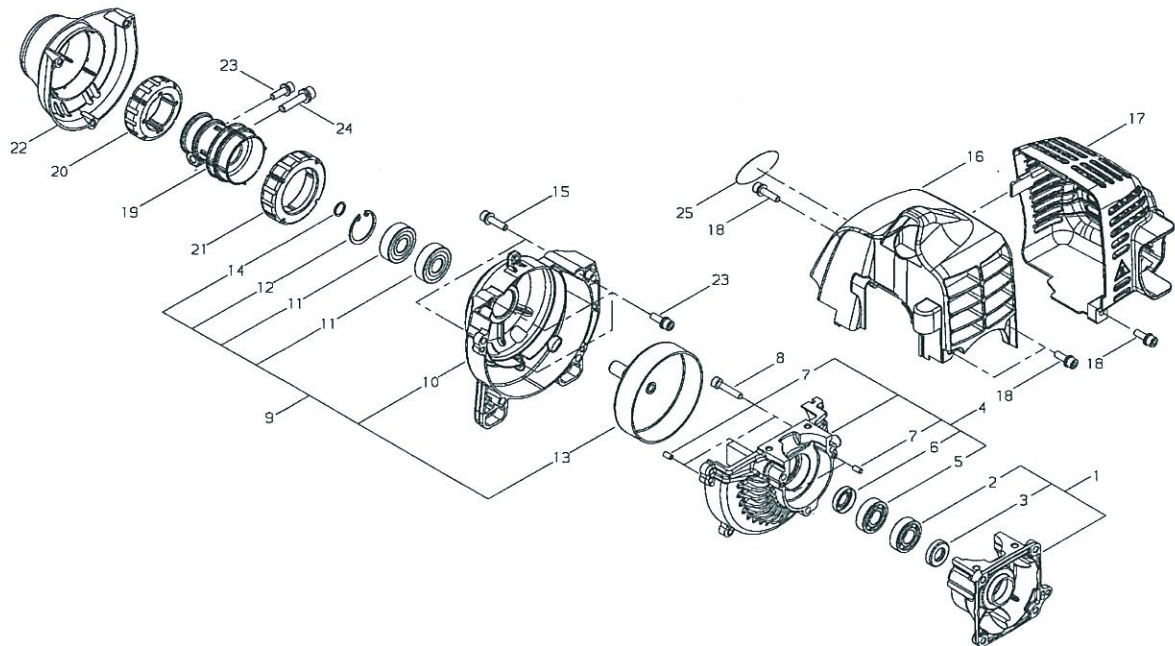


C282S EC2, -1--1, Ref.2
C282S EC2, 2010/03/31

Key	Lv	Part no.	Part description	Quantity	Note1	Note2
1		A030-000210	MUFFLER ASSY	1		
2	·	A313-001280	TAIL PLATE	1		
3	·	A313-001230	TAIL PLATE	1		
4	·	A310-000170	SCREEN	1		
5	·	V104-001270	GASKET	1		
6	·	900283-04008	SCREW 4*8	5	M4x8	
7		V104-001280	GASKET	1		
8		91109-05055	BOLT	2	M5x55	
9		900604-00005	WASHER 5 SUS	2	5mm	
10		900105-05012	BOLT, H.S. 5*12	1	M5x12	



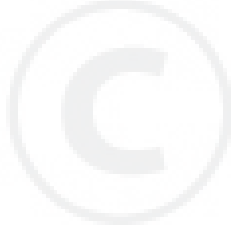
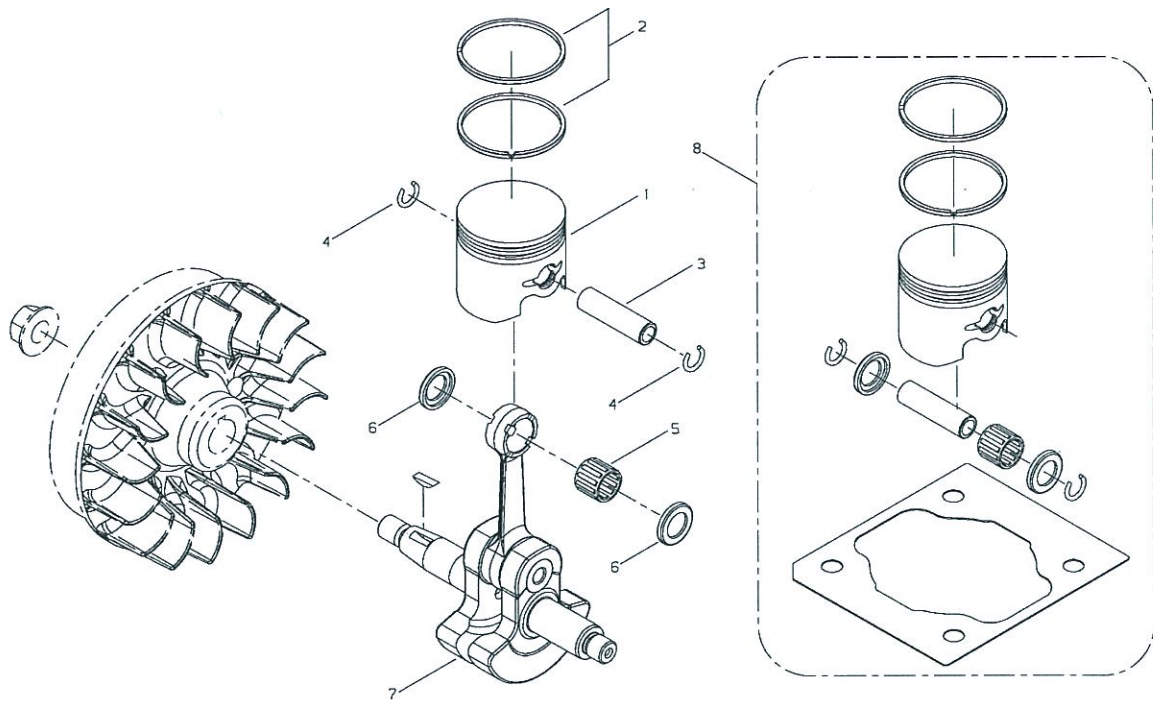
C282S EC2, -1--1, Ref.3
C282S EC2, 2010/03/31



C282S EC2, -1--1, Ref.3
 C282S EC2, 2010/03/31

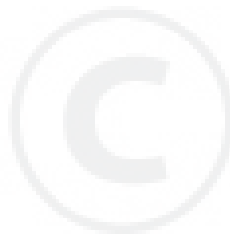
Key	Lv	Part no.	Part description	Quantity	Note1	Note2
1		P021-028130	CRANKCASE,S COMP	1		
2	·	V592-000110	BEARING,BALL	1		
3	·	V505-000090	OIL SEAL	1		
4		P021-028140	CRANKCASE,M COMP	1		
5	·	V592-000110	BEARING,BALL	1		
6	·	V505-000090	OIL SEAL	1		
7	·	V622-000040	ROLLER	4		
8		900105-05025	BOLT, H.S. 5*25	3	M5x25	
9		P021-036850	FAN COVER ASY	1		
10	·	6212831110	FAN COVER	1		
11	·	94002-36001	BEARING, BALL	2		
12	·	92424-28000	SNAP RING	1		
13	·	A556-000790	CLUTCH DRUM	1		
14	·	V583-000170	SNAP RING	1		
15		V203-000350	BOLT SPW	2	M5x20	
16		A160-001550	CYLINDER COVER	1		
17		A320-000690	MUFFLER COVER	1		
18		V203-000760	BOLT ADHESIVE	4	M5x20	
19		A575-000270	JOINT	1		
20		V423-000040	FRONT CUSHION	1		
21		V423-000050	REAR CUSHION	1		
22		A575-000490	FIXTURE,MAIN PIPE	1		
23		V203-000590	BOLT SPW	4	M5x16	
24		V204-000410	BOLT SPW	1	M6x28	
25		X504-006680	LABEL,BRAND	1	shindaiwa 282S	

C282S EC2, -1--1, Ref.4
C282S EC2, 2010/03/31

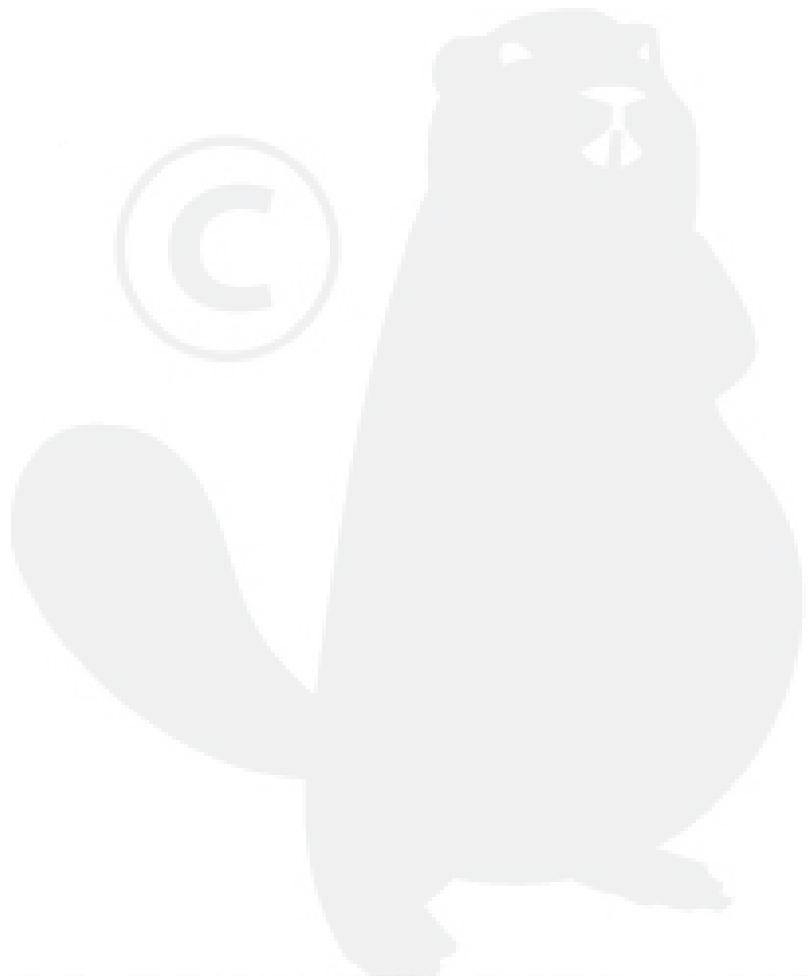
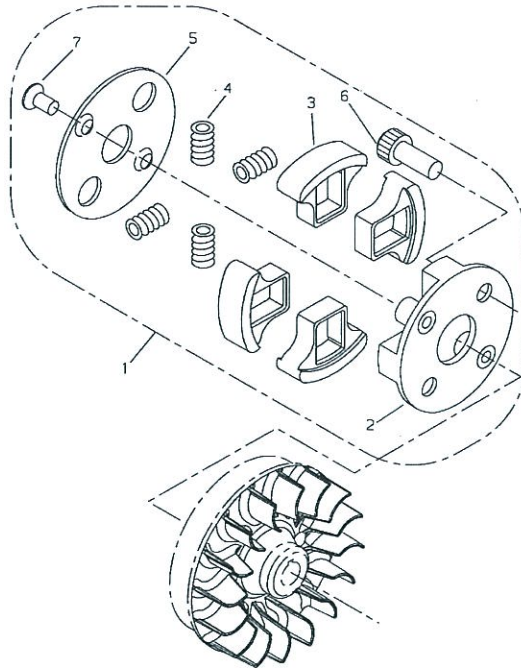


C282S EC2, -1--1, Ref.4
C282S EC2, 2010/03/31

Key	Lv	Part no.	Part description	Quantity	Note1	Note2
8		A010-000030	PISTON,ASM	1		
1	·	A100-000640	PISTON	1		
2	·	A101-000340	PISTON RING	2		
3	·	V607-000020	PISTON PIN	1		
4	·	V580-000090	SNAP RING	2		
5	·	V554-000010	NEEDLE BEARING	1		
6	·	V392-000020	THRUST WASHER	2		
7		A011-000800	CRANKSHAFT	1		



C282S EC2, -1--1, Ref.5
C282S EC2, 2010/03/31

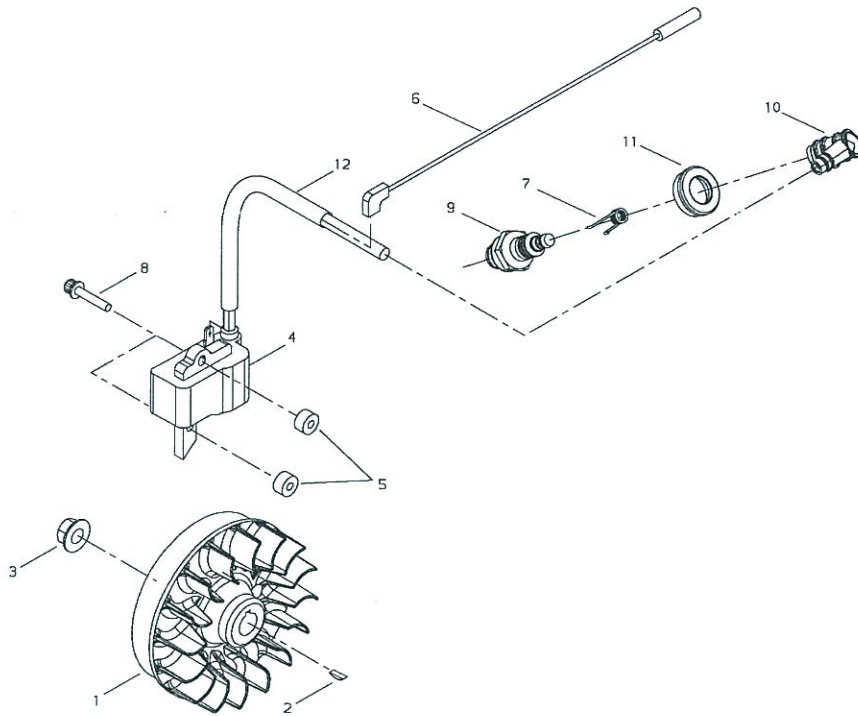


C282S EC2, -1--1, Ref.5
C282S EC2, 2010/03/31

Key	Lv	Part no.	Part description	Quantity	Note1	Note2
1		A056-000450	CLUTCH SHOE ASSY	1		
2	·	A552-000120	CLUTCH BOSS	1		
3	·	A555-000130	CLUTCH SHOE	4		
4	·	A566-000150	SPRING	4		
5	·	A551-000120	PLATE	1		
6	·	A557-000120	CLUTCH BOLT	2		
7	·	V203-000880	SCREW FLAT	2	M5	

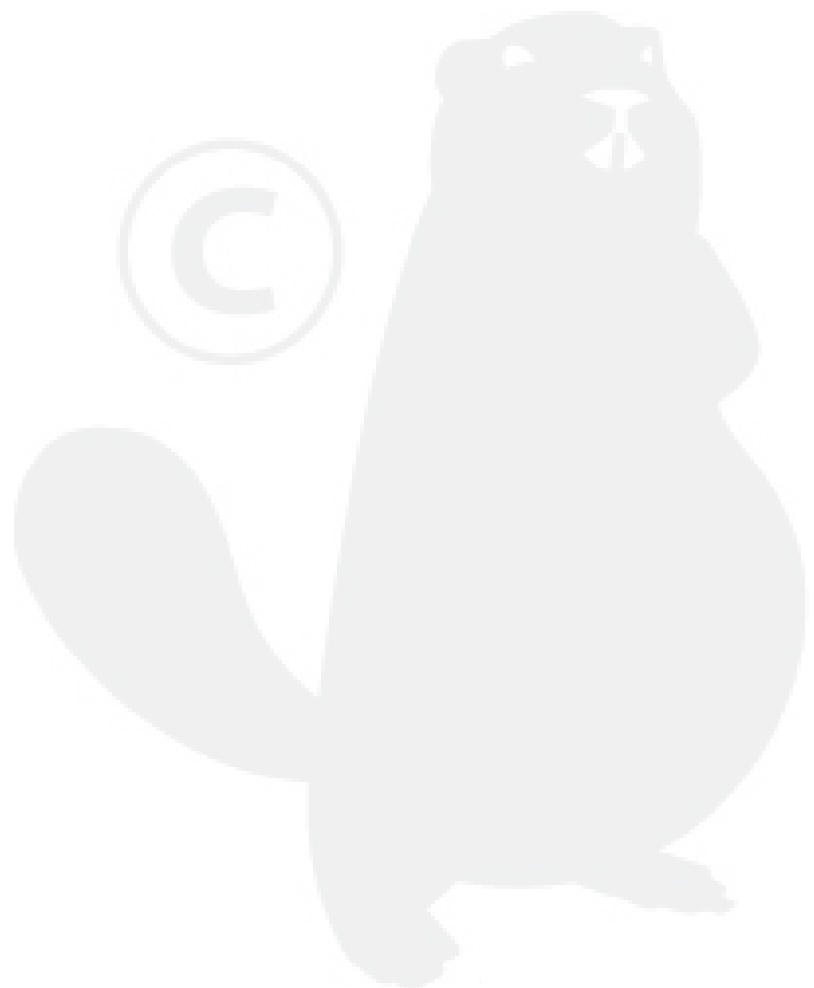


C282S EC2, -1--1, Ref.6
C282S EC2, 2010/03/31

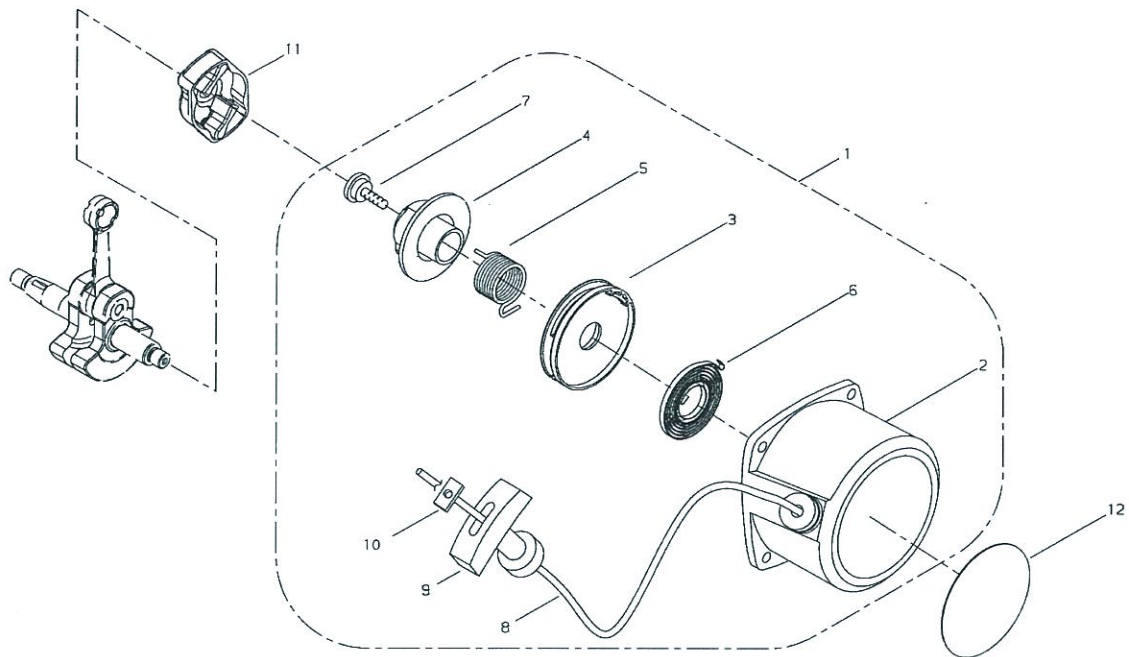


C282S EC2, -1--1, Ref.6
C282S EC2, 2010/03/31

Key	Lv	Part no.	Part description	Quantity	Note1	Note2
1		A409-000610	ROTOR	1		
2		93115-03010	KEY	1	3x10	
3		V265-000140	NUT	1		
4		A411-000740	COIL	1		
5		V322-000040	INSULATOR	1		
6		V485-001370	LEAD WIRE	1	0.5fmm2 L215	
7		A426-000050	SPRING SPARK PLUG	1		
8		V202-000210	BOLT ADHESIVE	2	M4x20	
9		159010-12530	PLUG, SPARK (BPMR-6A	1	BPMR6A	
10		A427-000060	CAP, SPARK PLUG	1		
11		A429-000090	COVER, CAP	1		
12		V475-004460	TUBE	1		

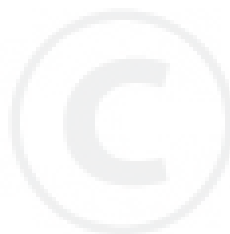


C282S EC2, -1--1, Ref.7
C282S EC2, 2010/03/31

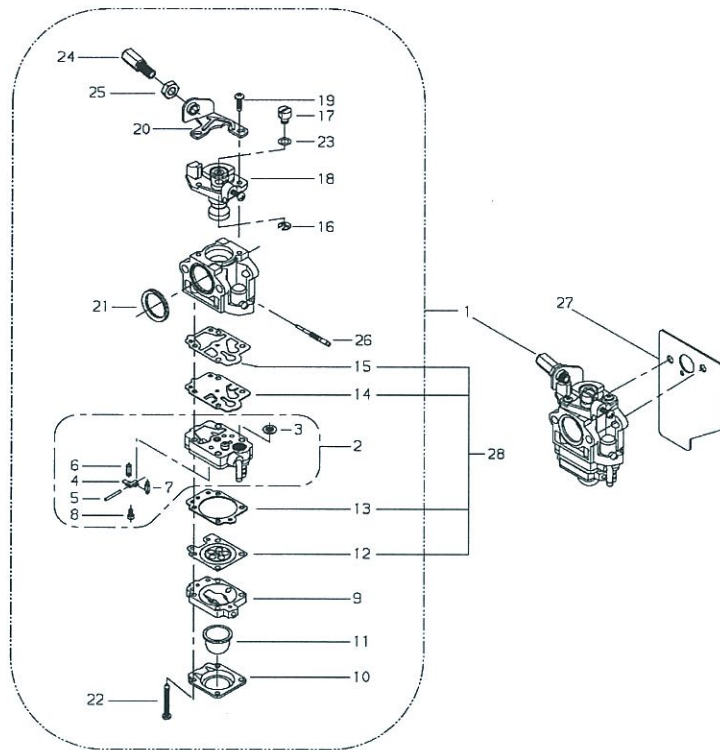


C282S EC2, -1--1, Ref.7
C282S EC2, 2010/03/31

Key	Lv	Part no.	Part description	Quantity	Note1	Note2
1		A051-001690	RECOIL STARTER ASSY	1		
2	·	A500-001290	CASE,STARTER	1		
3	·	A506-000240	REEL	1		
4	·	C533-000080	CAM	1		
5	·	V450-000910	COIL SPRING	1		
6	·	A504-000060	RECOIL SPRING	1		
7	·	V253-000310	SCREW	1		
8	·	A509-000440	ROPE	1		
9	·	A511-000160	STARTER KNOB	1		
10	·	A522-000040	STOPPER	1		
11		A052-000360	STARTER PULLEY ASSY	1		
12		X504-006690	LABEL,BRAND	1		



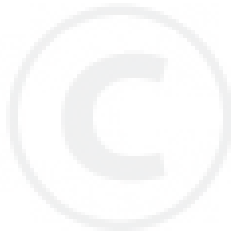
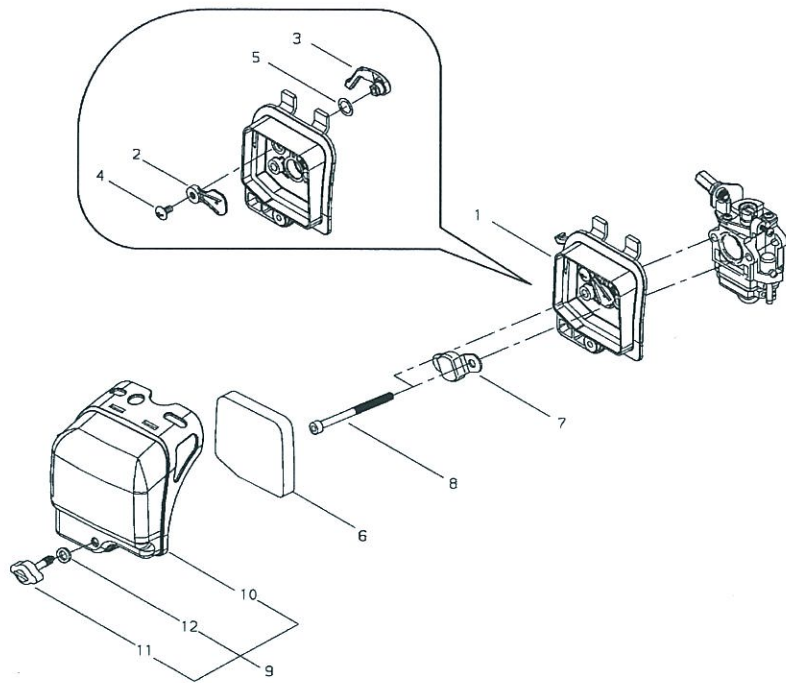
C282S EC2, -1--1, Ref.8
C282S EC2, 2010/03/31



C282S EC2, -1--1, Ref.8
 C282S EC2, 2010/03/31

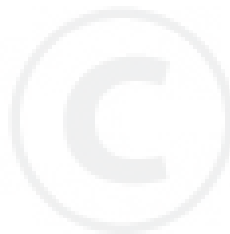
Key	Lv	Part no.	Part description	Quantity	Note1	Note2
1		A021-002350	CARBURETOR ASSY	1		
2	·	P003-000440	BODY ASY, PUMP	1		
3	· ·	123126-10631	SCREEN, INLET	1		
4	· ·	123123-38330	LEVER, METERING	1		
5	· ·	123138-03930	PIN, METERING LEVER	1		
6	· ·	P003-000450	SPRING, METER. LEVER	1		
7	· ·	123137-19830	VALVE, INLET NEEDLE	1		
8	· ·	123139-05560	SCREW, M. LEVER PIN	1		
9	·	123180-05560	BODY, AIR PURGE	1		
10	·	123142-05560	COVER, PRIMER PUMP	1		
11	·	123181-40630	PUMP, PRIMER	1		
12	·	P003-001850	DIAPHRAGM, METERING	1		
13	·	123140-05560	GASKET, M. DIAPHRAGM	1		
14	·	123112-40630	DIAPHRAGM, PUMP	1		
15	·	123125-40630	GASKET, PUMP	1		
16	·	123173-07930	CLIP	1		
17	·	123172-45130	SWIVEL	1		
18	·	P003-004130	VALVE, THROTTLE	1		
19	·	123114-40630	SCREW	2		
20	·	P003-002590	BRACKET	1		
21	·	123143-12110	RING, PACKING	1		
22	·	123110-05560	SCREW, PUMP COVER	4		
23	·	123149-54230	WASHER	1		
24	·	P003-002630	CABLE ADJUSTER	1		
25	·	123153-56430	NUT, ADJUSTER	1		
26	·	P003-004350	NEEDLE	1		
27		V103-000920	GASKET	1		
28		V109-000190	GASKET	1		

C282S EC2, -1--1, Ref.9
C282S EC2, 2010/03/31

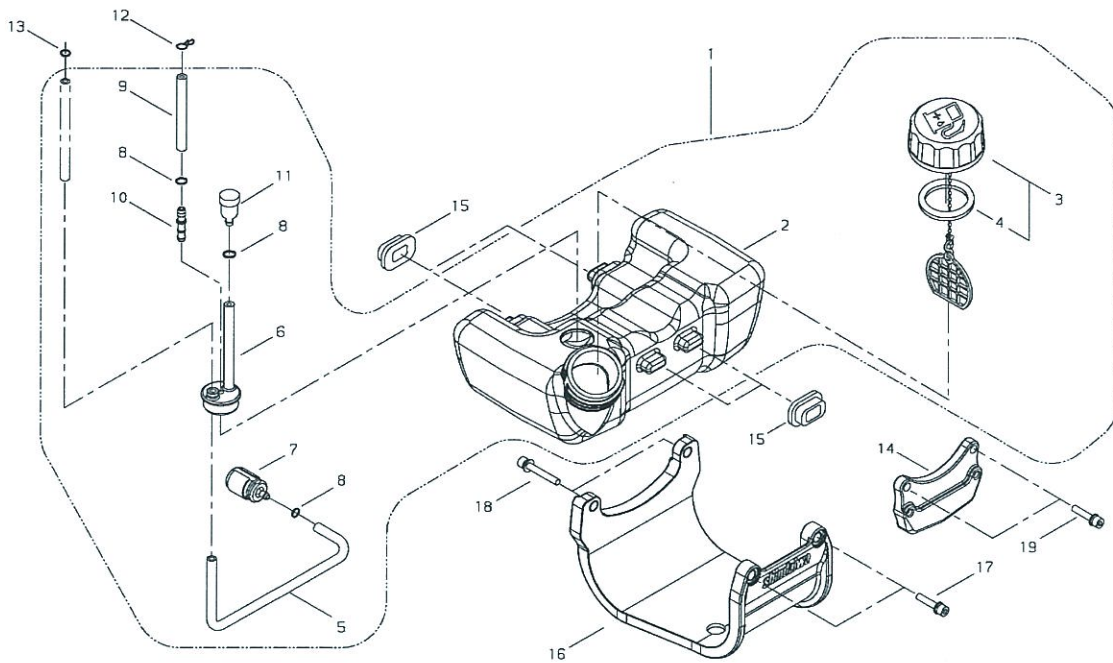


C282S EC2, -1--1, Ref.9
C282S EC2, 2010/03/31

Key	Lv	Part no.	Part description	Quantity	Note1	Note2
1		A023-000020	CLEANER BODY ASSY	1		
2	·	A243-000170	CHOKE PLATE	1		
3	·	A242-000140	CHOKE LEVER	1		
4	·	91439-04012	SCREW,TRUSS,T	1	4x12	
5	·	V346-000050	WASHER,WAVE	1		
6		A226-000570	FILTER	1		
7		A244-000120	BACK PLATE	1		
8		91109-05060	BOLT	2	M5x60	
9		A232-000640	CLEANER COVER ASSY	1		
10	·	A232-000630	CLEANER COVER	1		
11	·	V299-000340	KNOB	1		
12	·	V323-000080	COLLAR	1		

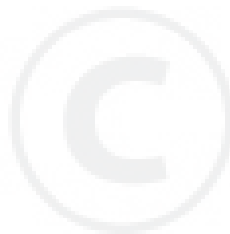


C282S EC2, -1--1, Ref.10
C282S EC2, 2010/03/31

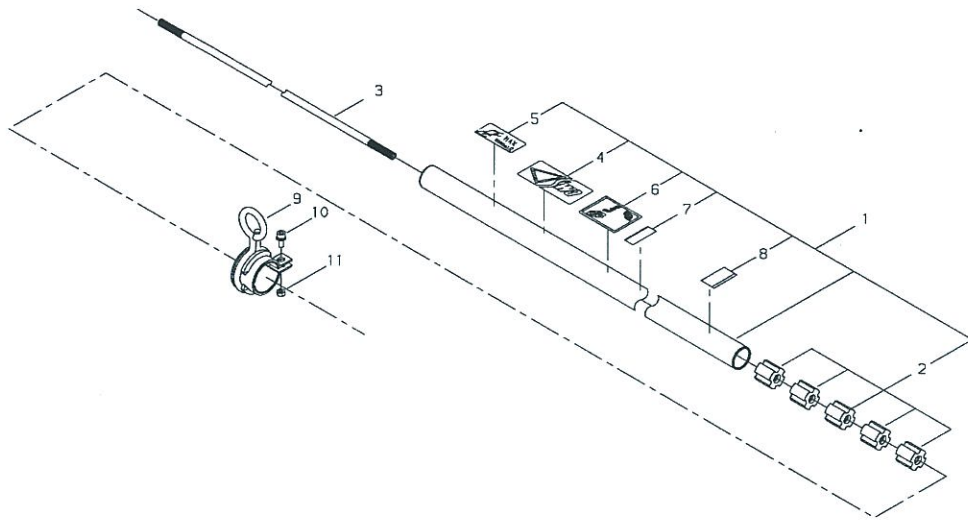


C282S EC2, -1--1, Ref.10
C282S EC2, 2010/03/31

Key	Lv	Part no.	Part description	Quantity	Note1	Note2
2		A350-001720	TANK, FUEL	1		
3		A033-000020	FUEL CAP ASSY	1		
4		V107-000010	GASKET	1		
5		V471-002480	FUEL PIPE	1		
6		V470-000890	GROMMET	1		
7		131205-19831	STRAINER, FUEL	1		
8		V490-000500	CLIP	3		
9		V471-002580	PIPE	1		
10		V186-000210	JOINT	1		
11		A356-000040	VALVE,CHECK	1		
12		V490-000510	CLIP	1		
13		V490-000500	CLIP	1		
14		A393-000170	TANK BRACKET	1		
15		V420-002220	TANK CUSHION	4		
16		A175-000170	TANK GUARD	1		
17		V203-000350	BOLT SPW	2	M5x20	
18		V203-000520	BOLT SW	2	M5x40	
19		V203-000760	BOLT ADHESIVE	2	M5x20	

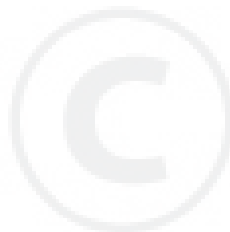


C282S EC2, -1--1, Ref.11
C282S EC2, 2010/03/31

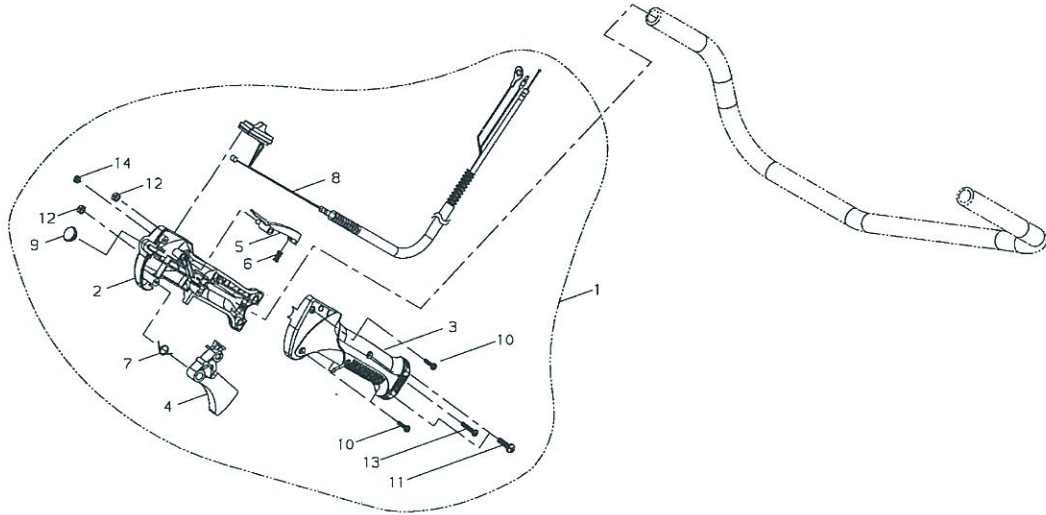


C282S EC2, -1--1, Ref.11
C282S EC2, 2010/03/31

Key	Lv	Part no.	Part description	Quantity	Note1	Note2
1		P021-027310	OUTER PIPE COMP	1		
2	·	C501-000050	BUSH	5		
3		C504-000650	MAIN SHAFT SUB ASSY	1		
4	·	X505-002910	LABEL CAUTION	1		
5	·	X505-002900	LABEL CAUTION	1		
6	·	X508-000250	LABEL DECIBEL	1		
7	·	X524-002380	HANDLE LABEL	1		
8	·	X505-002860	CAUTION PLATE	1		
9		C063-000010	HANGER	1		
10		V203-000700	BOLT SPW	1		
11		900500-00005	NUT 5	1		

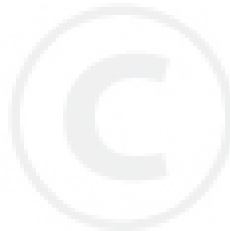


C282S EC2, -1--1, Ref.12
C282S EC2, 2010/03/31

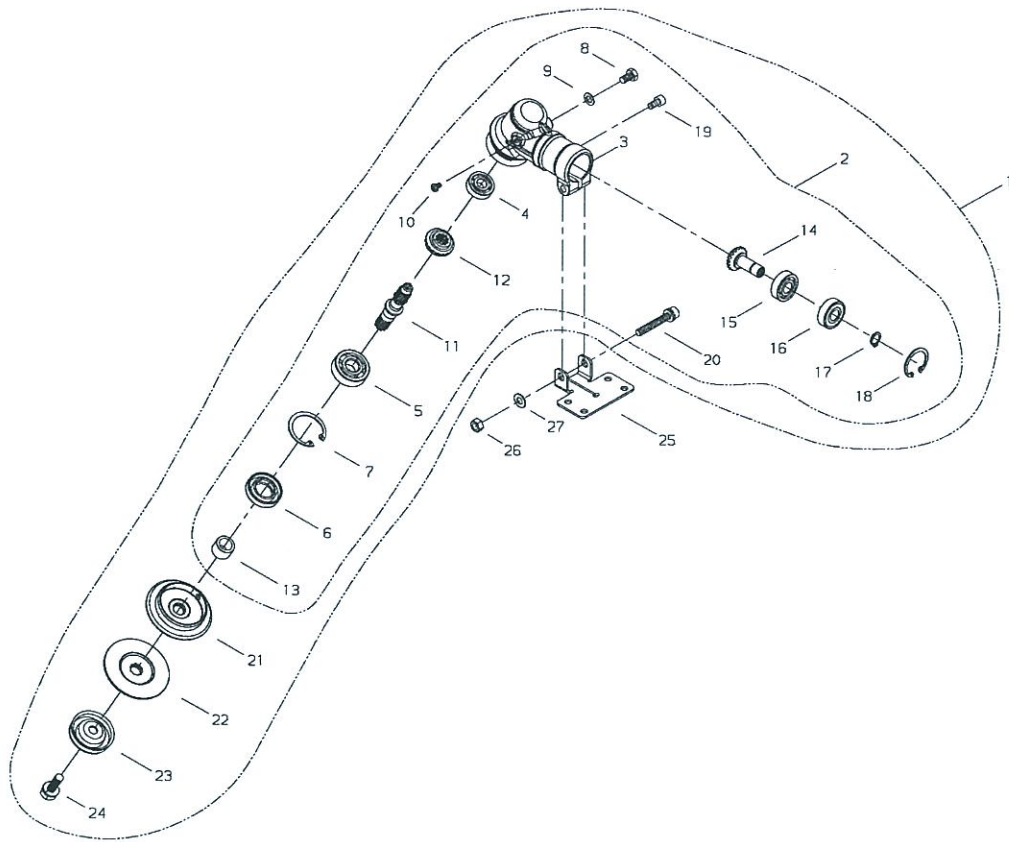


C282S EC2, -1--1, Ref.12
C282S EC2, 2010/03/31

Key	Lv	Part no.	Part description	Quantity	Note1	Note2
1		C044-000730	THROTTLE LEVER ASSY	1		
2	·	C412-000430	BODY RIGHT	1		
3	·	C412-000410	BODY,LEFT	1		
4	·	C450-000580	LEVER	1		
5	·	C460-000240	LOCK LEVER	1		
6	·	V450-001020	COIL SPRING	1		
7	·	V452-000690	COIL SPRING	1		
8	·	V043-000400	THROTTLE CABLE ASSY	1		
9	·	V162-000410	PLUG	1		
10	·	V252-000360	SCREW TAPPING	3	4*16	
11	·	V253-000580	SCREW PM	2	M5*20	
12	·	92017-05000	NUT	2	M5	
13	·	V252-000090	SCREW	1	M4*23	
14	·	V262-000100	NUT	1	M4	



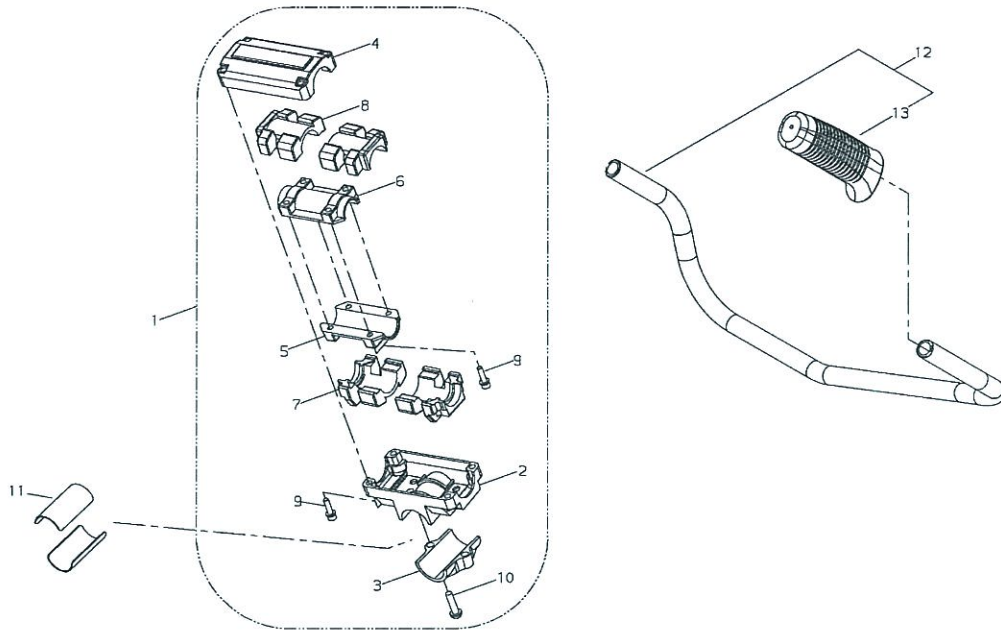
C282S EC2, -1--1, Ref.13
C282S EC2, 2010/03/31



C282S EC2, -1--1, Ref.13
 C282S EC2, 2010/03/31

Key	Lv	Part no.	Part description	Quantity	Note1	Note2
1		P021-027350	GEAR CASE ASSY	1		
2	·	P021-027300	GEAR CASE SUBASSY	1		
3	· ·	C531-000590	GEAR CASE	1		
4	· ·	02000-00609	BEARING	1	609	
5	· ·	02000-06201	BEARING	1	6201	
6	· ·	V510-000000	OIL SEAL	1		
7	· ·	92424-32000	SNAP RING	1	32mm, C	
8	· ·	91030-06010	BOLT	1	M6x10	
9	· ·	900600-00006	WASHER 6	1	6mm	
10	· ·	91578-04006	SCREW	1	M4x6	
11	· ·	C534-000580	GEAR SHAFT	1		
12	· ·	V651-000480	BEVEL GEAR	1		
13	· ·	V356-000500	COLLAR	1		
14	· ·	V651-000490	BEVEL PINION	1	φ8	
15	· ·	02000-06000	BEARING	1	6000	
16	· ·	02002-06000	BALL BEARING	1	6000Z	
17	· ·	92423-10000	SNAP RING	1	10mm, C	
18	· ·	92424-26000	SNAP RING	1	26mm, C	
19	· ·	900105-05010	BOLT, H.S. 5*10	1	M5x10	
20	· ·	V204-000450	BOLT SPW	1	M6x40	
21	·	C535-000710	HOLDER	1		
22	·	C535-000720	HOLDER	1		
23	·	C535-000730	BOLT GUARD	1		
24	·	V205-000940	BOLT,8	1	M8x22	
25		C551-000050	LOWER CLAMP	1		
26		900500-00006	NUT 6	1	M6	
27		900630-00006	WASHER 6.5*16*2T	1	6mm	

C282S EC2, -1--1, Ref.14
C282S EC2, 2010/03/31



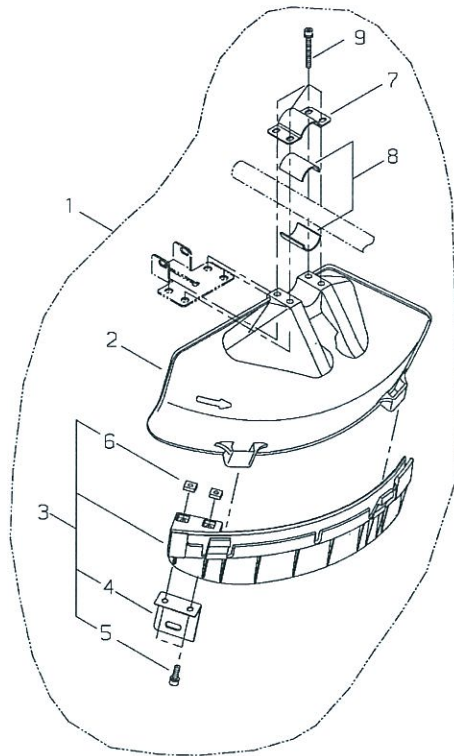
C282S EC2, -1--1, Ref.14

C282S EC2, 2010/03/31

Key	Lv	Part no.	Part description	Quantity	Note1	Note2
1		P021-033250	BRACKET COMP	1		
2	·	C423-000710	HANDLE BRACKET	1		
3	·	C423-000730	LOWER CAP	1		
4	·	C423-000750	UPPER CAP	1		
5	·	C423-000760	LOWER CLAMP	1		
6	·	C423-000770	UPPER CLAMP	1		
7	·	V420-002460	LOWER CUSHION	2		
8	·	V420-002470	UPPER CUSHION	2		
9	·	V203-000630	BOLT SPW	8	M5x25	
10	·	91142-06025	SCREW BUTTON	2	M6x25	
11		C511-000110	SPACER	2		
12		P021-035440	HANDLE SUB ASSY	1		
13	·	C403-000420	GRIP	1		

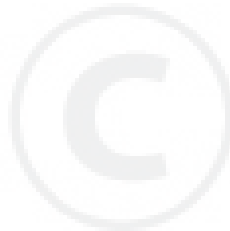


C282S EC2, -1--1, Ref.15
C282S EC2, 2010/03/31

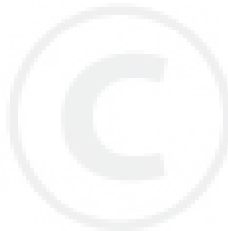
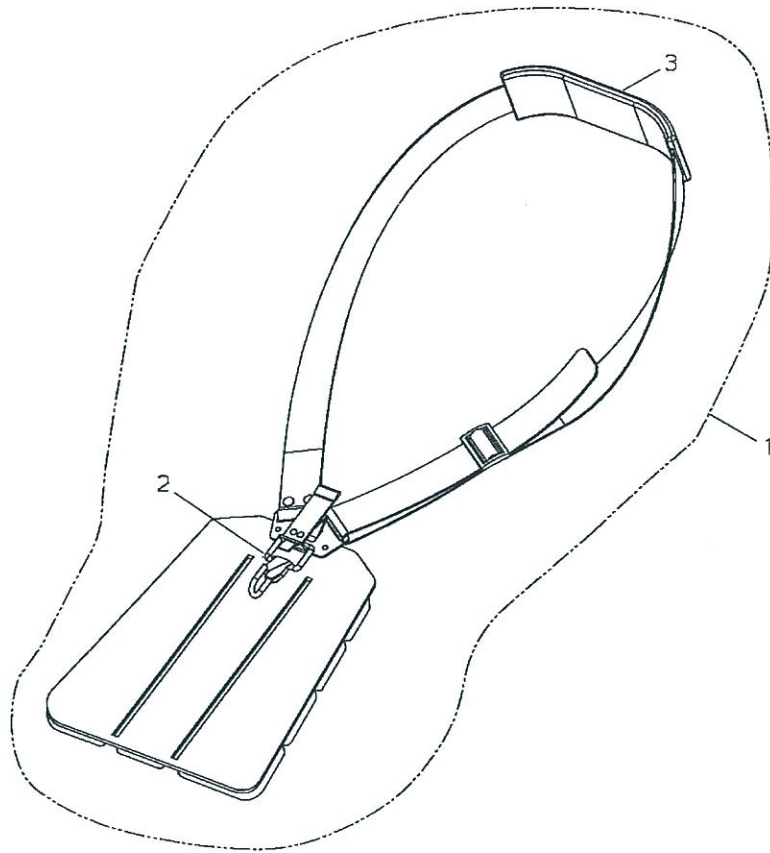


C282S EC2, -1--1, Ref.15
C282S EC2, 2010/03/31

Key	Lv	Part no.	Part description	Quantity	Note1	Note2
1		P021-028900	GUARD SET	1		
2	·	C550-000430	GUARD	1		
3	·	P021-028450	SUB GUARD ASSY	1		
4	· ·	C554-000040	CUTTER	1		
5	· ·	V203-000720	BOLT SW	2	M5x16	
6	· ·	V263-000130	NUT	2		
7	·	C551-000060	UPPER CLAMP	1		
8	·	V363-000160	SPACER	2		
9	·	V203-000610	BOLT SPW	4	M5x45	

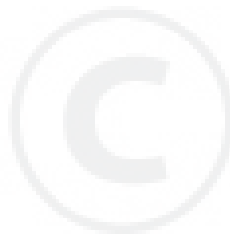


C282S EC2, -1--1, Ref.16
C282S EC2, 2010/03/31

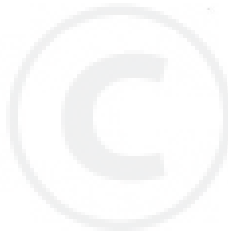
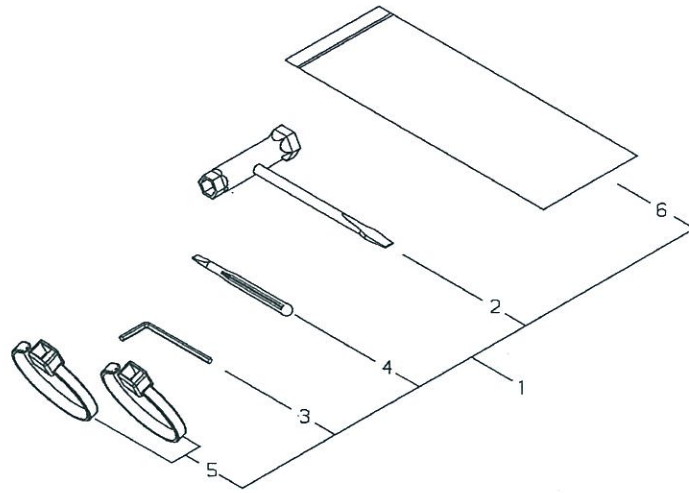


C282S EC2, -1--1, Ref.16
C282S EC2, 2010/03/31

Key	Lv	Part no.	Part description	Quantity	Note1	Note2
1		C062-000400	STRAP ASSY	1		
2	·	C649-000200	HOOK	1		
3	·	C644-000080	PROTECTOR	1		



C282S EC2, -1--1, Ref.17
C282S EC2, 2010/03/31

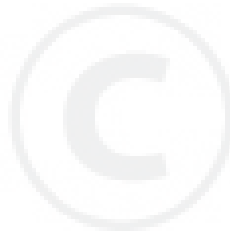
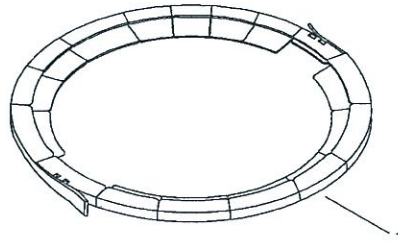


C282S EC2, -1--1, Ref.17
C282S EC2, 2010/03/31

Key	Lv	Part no.	Part description	Quantity	Note1	Note2
1		62130-92310	TOOL SET	1		
2	·	X602-000120	TOOL,WRENCH	1	13×19mm	
3	·	X605-000100	TOOL,L WRENCH	1	4mm M5	
4	·	X626-000000	SCRAPER	1		
5	·	V495-001520	BAND	2		
6	·	X705-000100	BAG,PACKING	1	G-8 140*200*t0.08	



C282S EC2, -1--1, Ref.18
C282S EC2, 2010/03/31

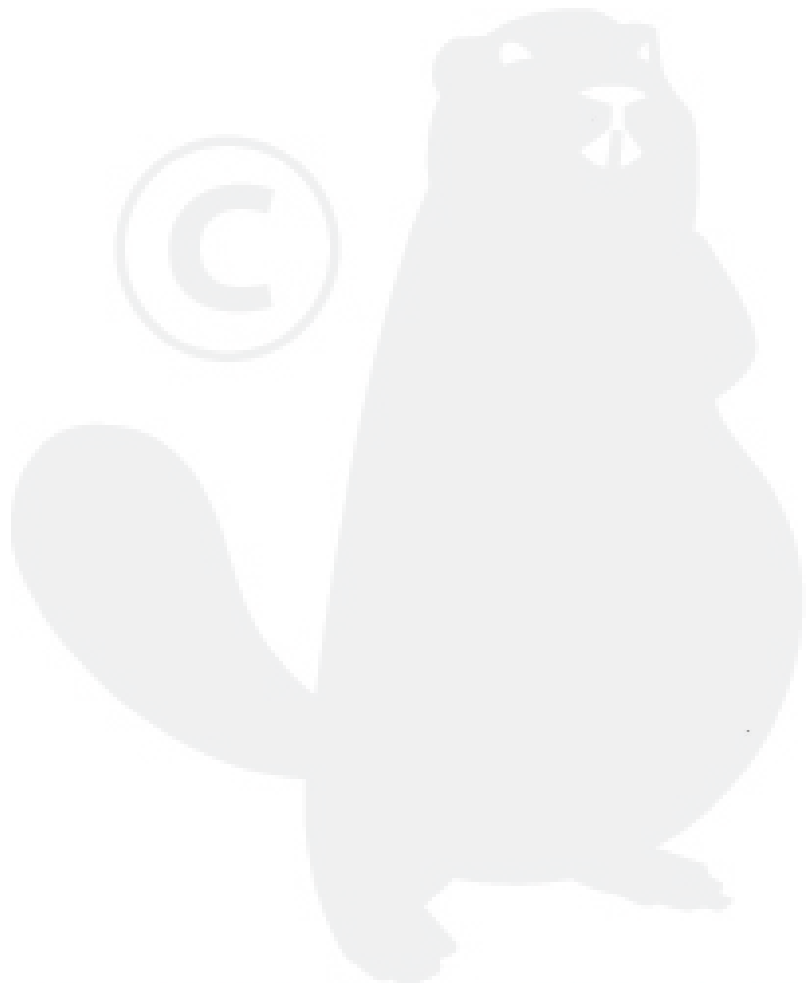
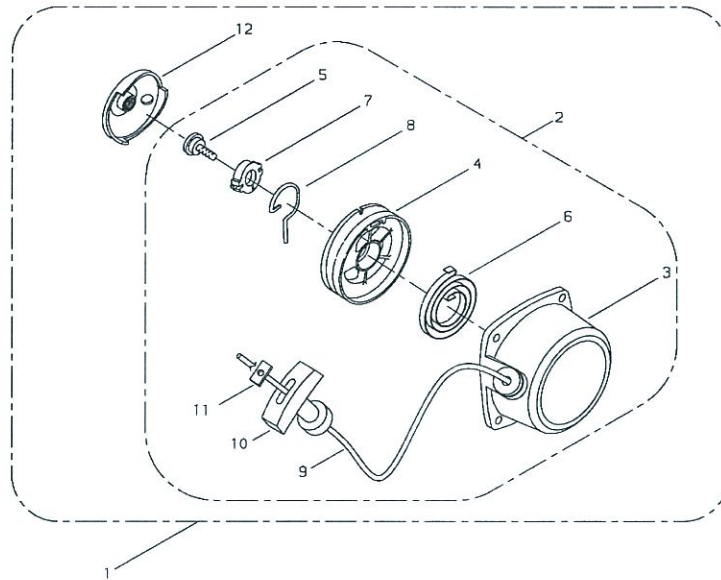


C282S EC2, -1-1, Ref.18
C282S EC2, 2010/03/31

Key	Lv	Part no.	Part description	Quantity	Note1	Note2
1		P021-034750	BLADE COVER	1		

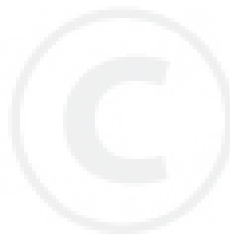


C282S EC2, -1--1, Ref.19
C282S EC2, 2010/03/31

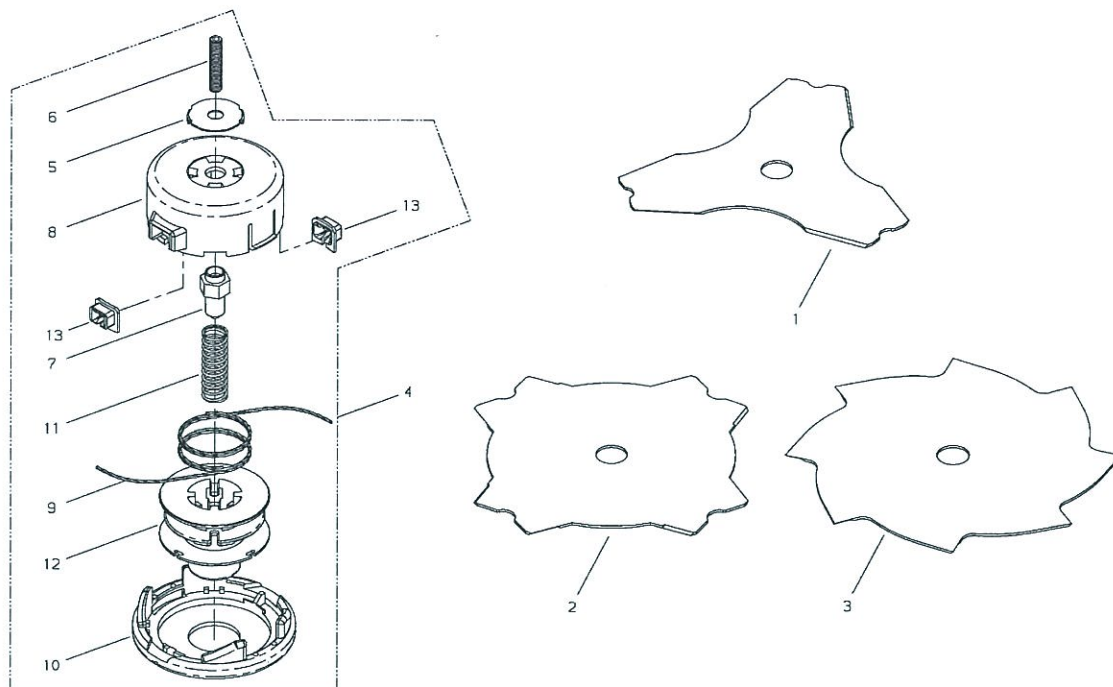


C282S EC2, -1--1, Ref.19
C282S EC2, 2010/03/31

Key	Lv	Part no.	Part description	Quantity	Note1	Note2
1		6014498310		1		
2	·	A051-001680	RECOIL STARTER ASSY	1		
3	· ·	A500-000800	STARTER CASE	1		
4	· ·	A506-000140	REEL	1		
5	· ·	V253-000310	SCREW	1		
6	· ·	A504-000100	RECOIL SPRING	1		
7	· ·	V353-000310	COLLAR	1		
8	· ·	C810-000120	SWING ARM	1		
9	· ·	A509-000140	ROPE	1		
10	· ·	A511-000160	STARTER KNOB	1		
11	· ·	A522-000040	STOPPER	1		
12	·	A052-000300	STARTER PULLEY	1		

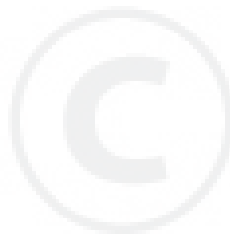


C282S EC2, -1--1, Ref.20
C282S EC2, 2010/03/31

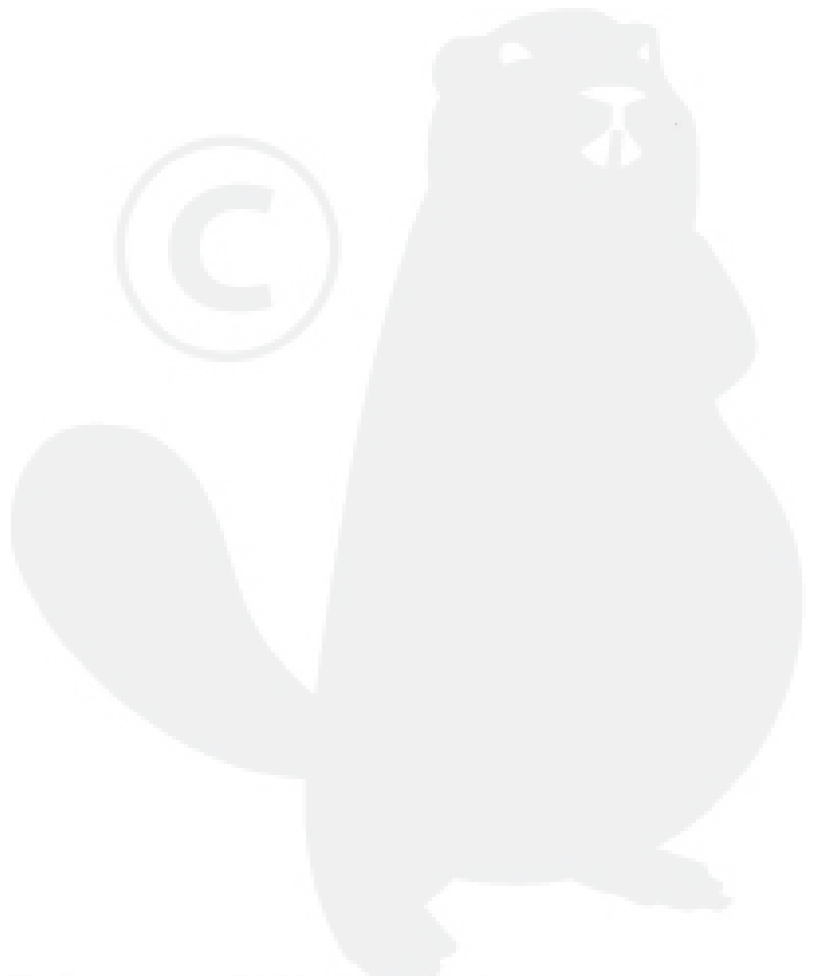
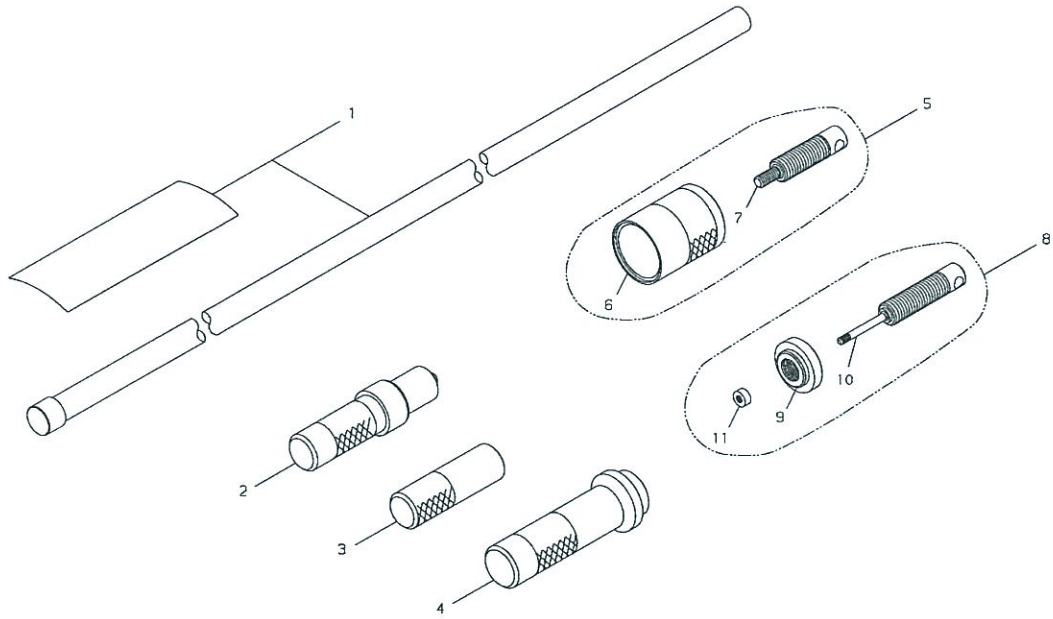


C282S EC2, -1--1, Ref.20
 C282S EC2, 2010/03/31

Key	Lv	Part no.	Part description	Quantity	Note1	Note2
1		72430-92142	TRIPLE SAW	1		
2		60903-98320	CROSS SAW	1		
3		60903-98310	EDDY SAW	1		
4		60144-98330	TRIMMER HEAD	1		
5	·	V392-000010	PLATE	1		
6	·	78820-04310	BOLT	1	M8×1.25	
7	·	78820-04320	NUT	1	M8×1.25	
8	·	78820-04330	HOUSING	1		
9	·	6014498340		1	φ3.3×2m	
10	·	X472-000020	COVER	1		
11	·	V450-000880	SPRING	1		
12	·	E415-000100	SPOOL	1		
13	·	P022-000710	EYELET	2		



C282S EC2, -1--1, Ref.21
C282S EC2, 2010/03/31



C282S EC2, -1--1, Ref.21
C282S EC2, 2010/03/31

Key	Lv	Part no.	Part description	Quantity	Note1	Note2
1		22000-96101	ROD BUSHING ASSY	1		
2		60141-98350	ROD	1		
3		60141-98360	ROD	1		
4		60141-98370	ROD	1		
5		22000-96501	PULLER ASSY	1		
6	·	Y089-000160	TOOL,KIT	1		
7	·	22000-96521	BOLT	1		
8		22000-96601	PULLER ASSY	1		
9	·	22000-96610	HOLDER	1		
10	·	22000-96622	BOLT	1		
11	·	22000-96630	NUT	1		

