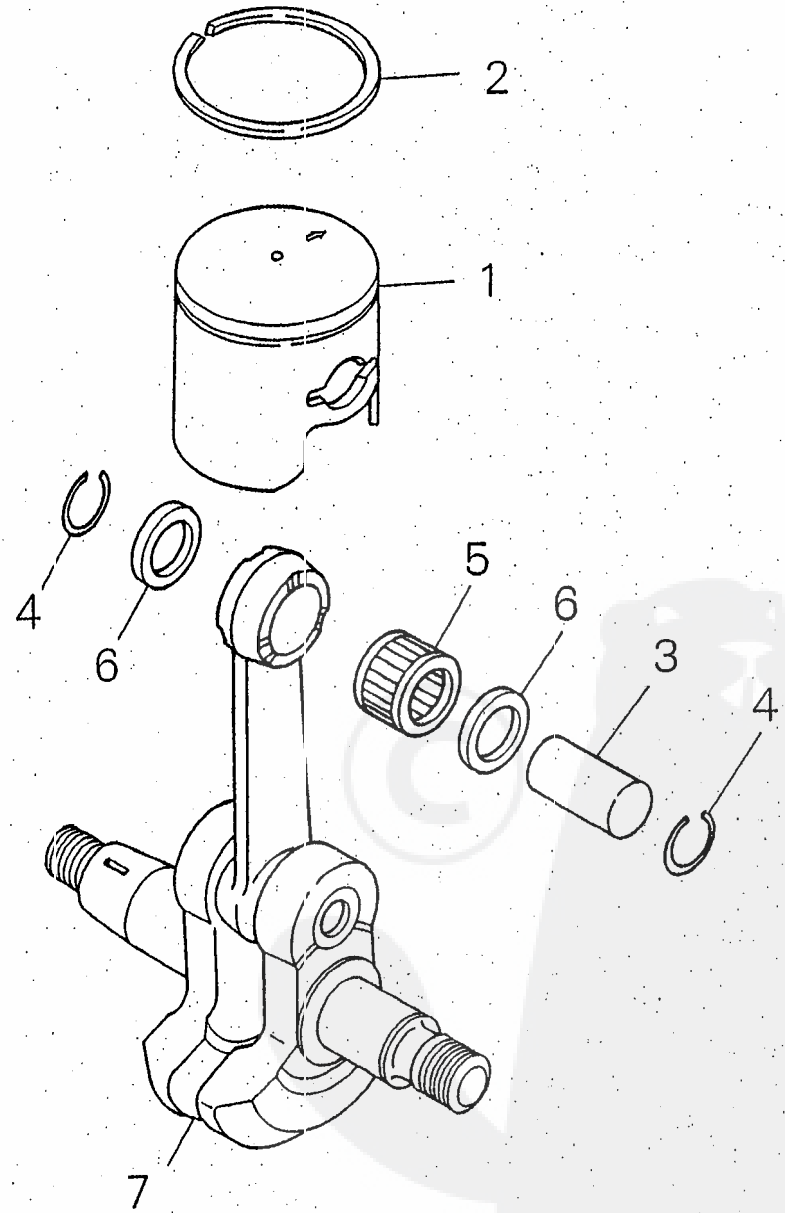
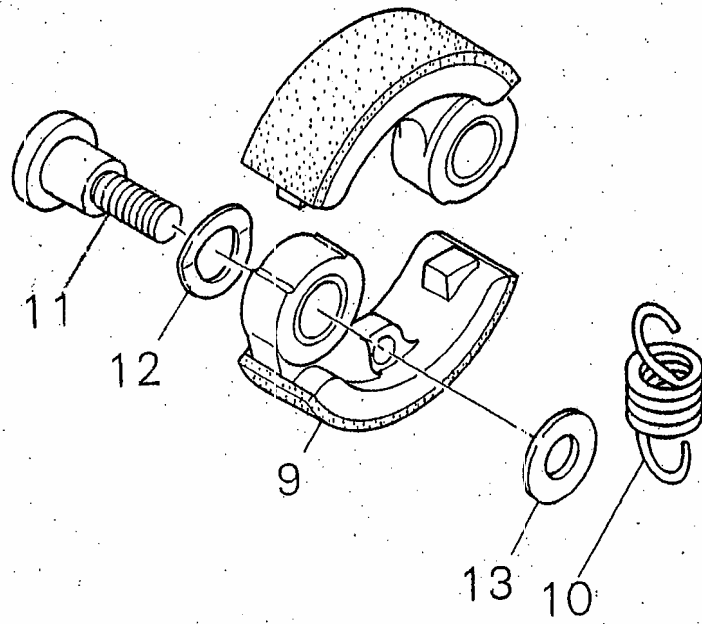
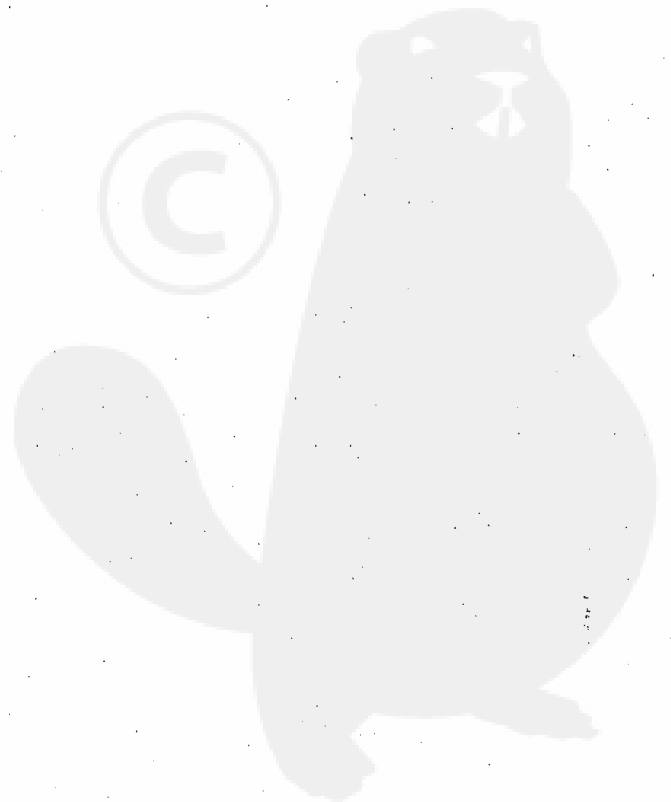
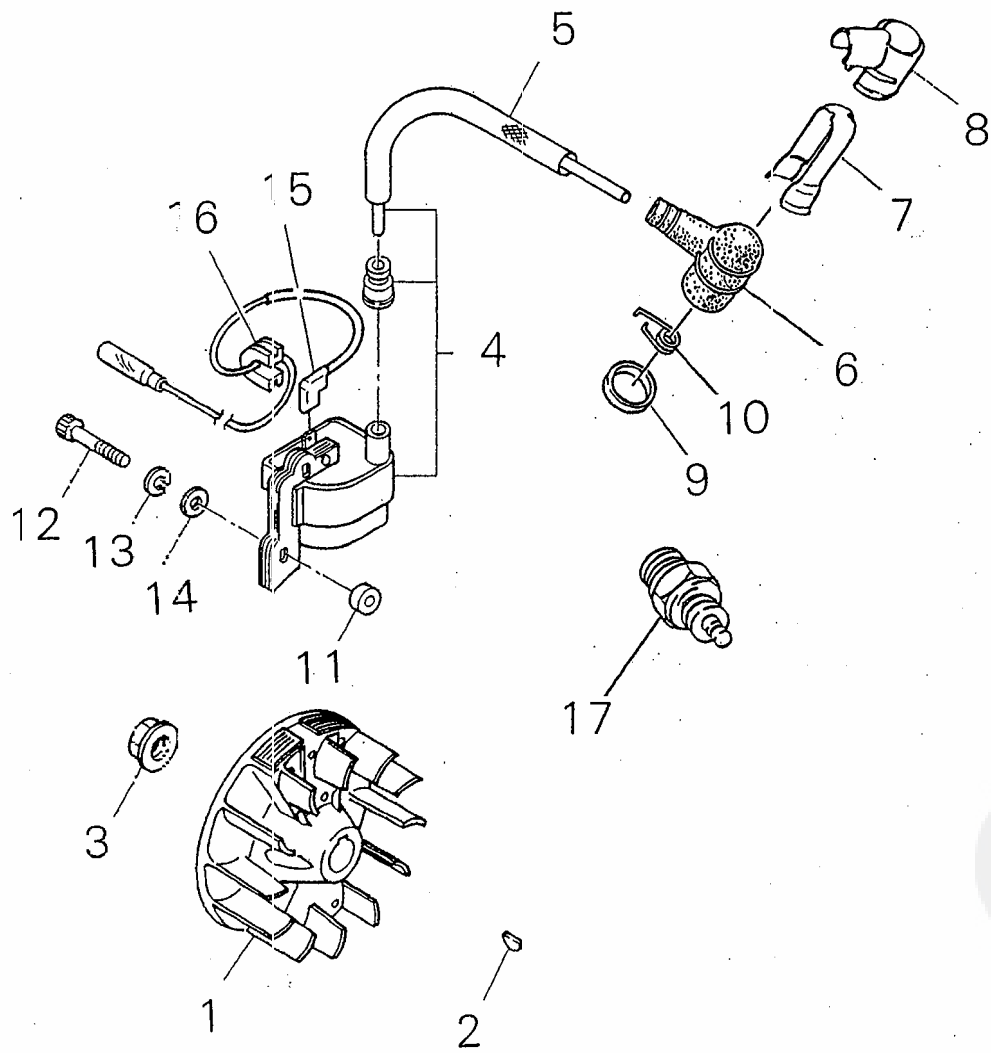


PRICE:(¥)

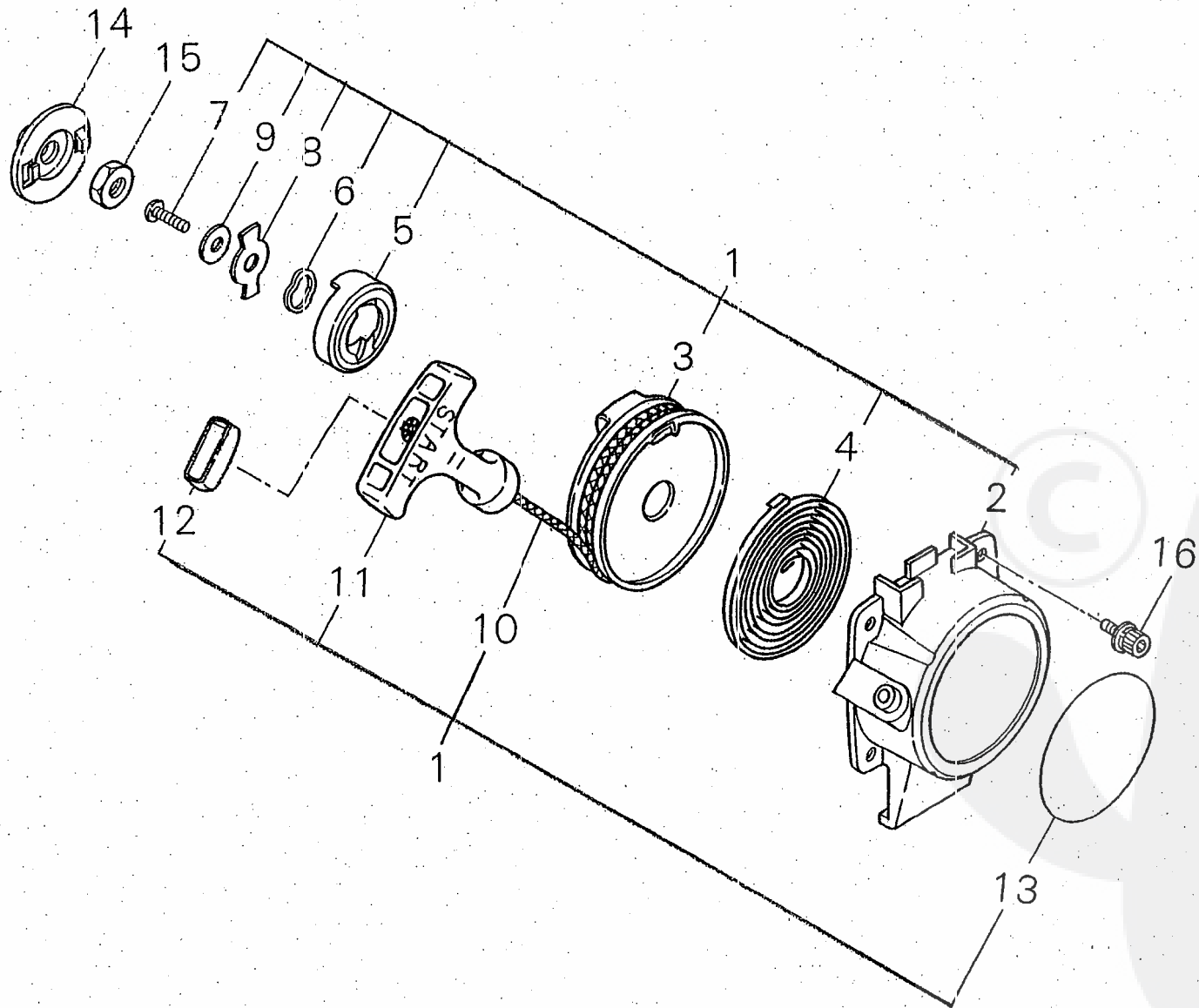
Ref. No	Part No.	Part Name	Q'ty	emarks
2- 1	20035-21100	CRANK CASE S COMP	1	
2	20036-21111	• CRANK CASE S	1	
3	12900-60010	• BEARING	1	
4	22150-21250	• OIL SEAL	1	
5	20140-21200	CRANK CASE M COMP	1	
6	20036-21123	• CRANK CASE M	1	
7	12900-60010	• BEARING	1	
8	20000-21211	• OIL SEAL	1	
9	12492-40080	• ROLLER	2	
10	01020-05250	BOLT	3	
11	20142-3111 1 ²	FAN COVER	1	
12	70030-31120	CLUTCH DRUM	1	
13	20000-31140	SNAP RING	1	
14	11206-05300	SCREW PM SPW	3	
15	11206-05160	SCREW PM SPW	1	
16	20087-31410	JOINT	1	
17	20142-31420	STOPPER	1	
18	11260-04081	SCREW ADHESIVE	2	
19	11020-05220	BOLT SW	1	
20	20018-31460	SHIM	1	
21	67001-31310	SPACER	1	
22	20140-32110	CYLINDER COVER	1	
23	67001-91021	LABEL TRADE	1	
24	20140-31250	SCREW PM SLPW	1	
25	20140-31260	INSULATOR	1	
26	20140-34112	PROTECTOR	1	
27	20142-32211	MUFFLER COVER	1	
28	22160-32210	SCREW PC	1	
29	20011-72120	GROMMET	1	

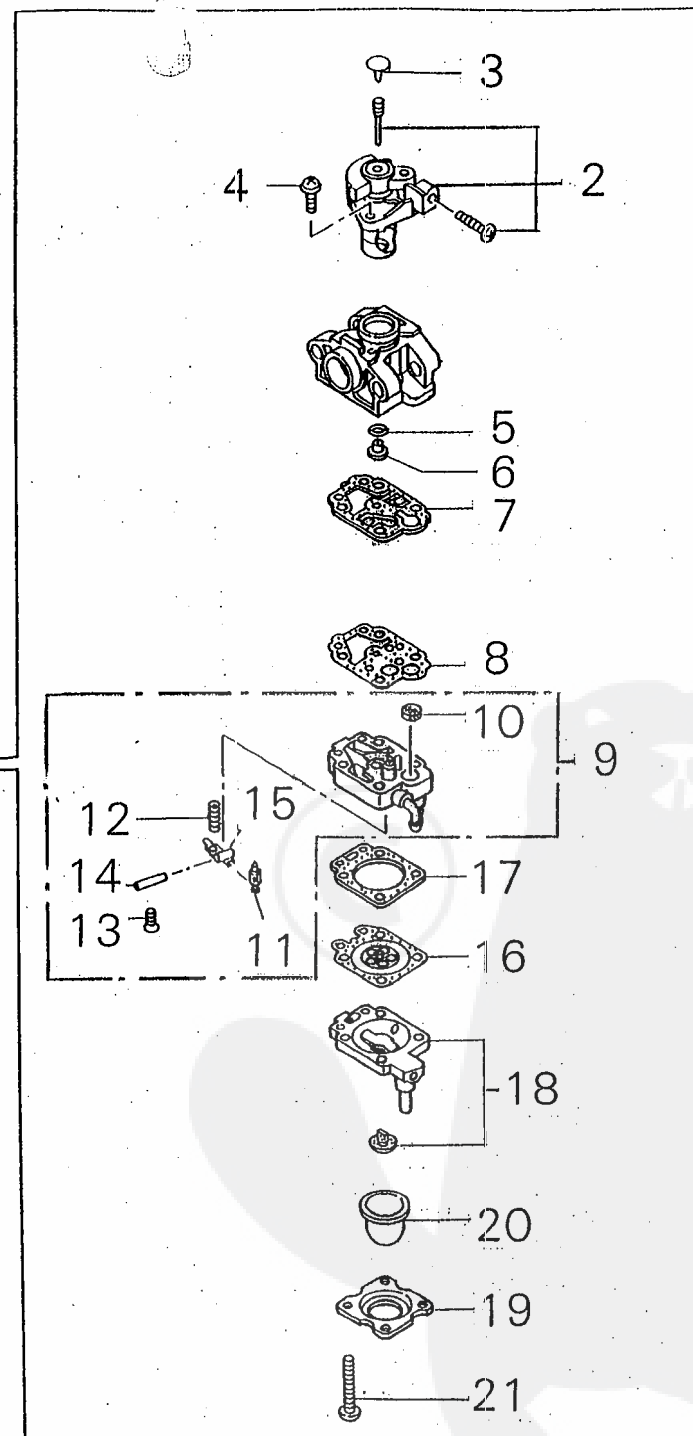
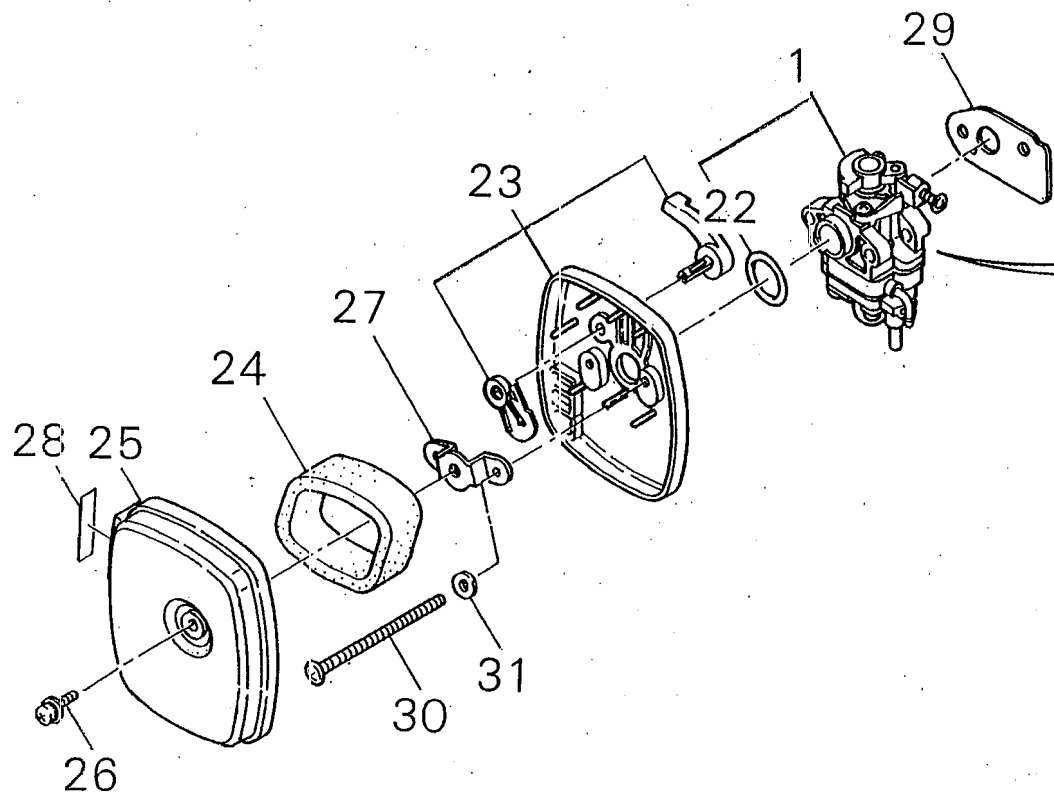


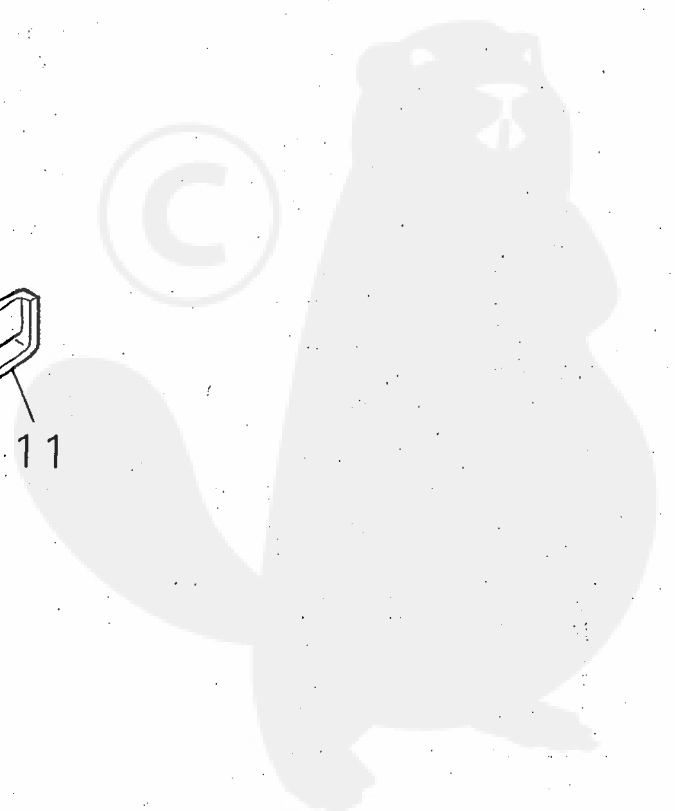
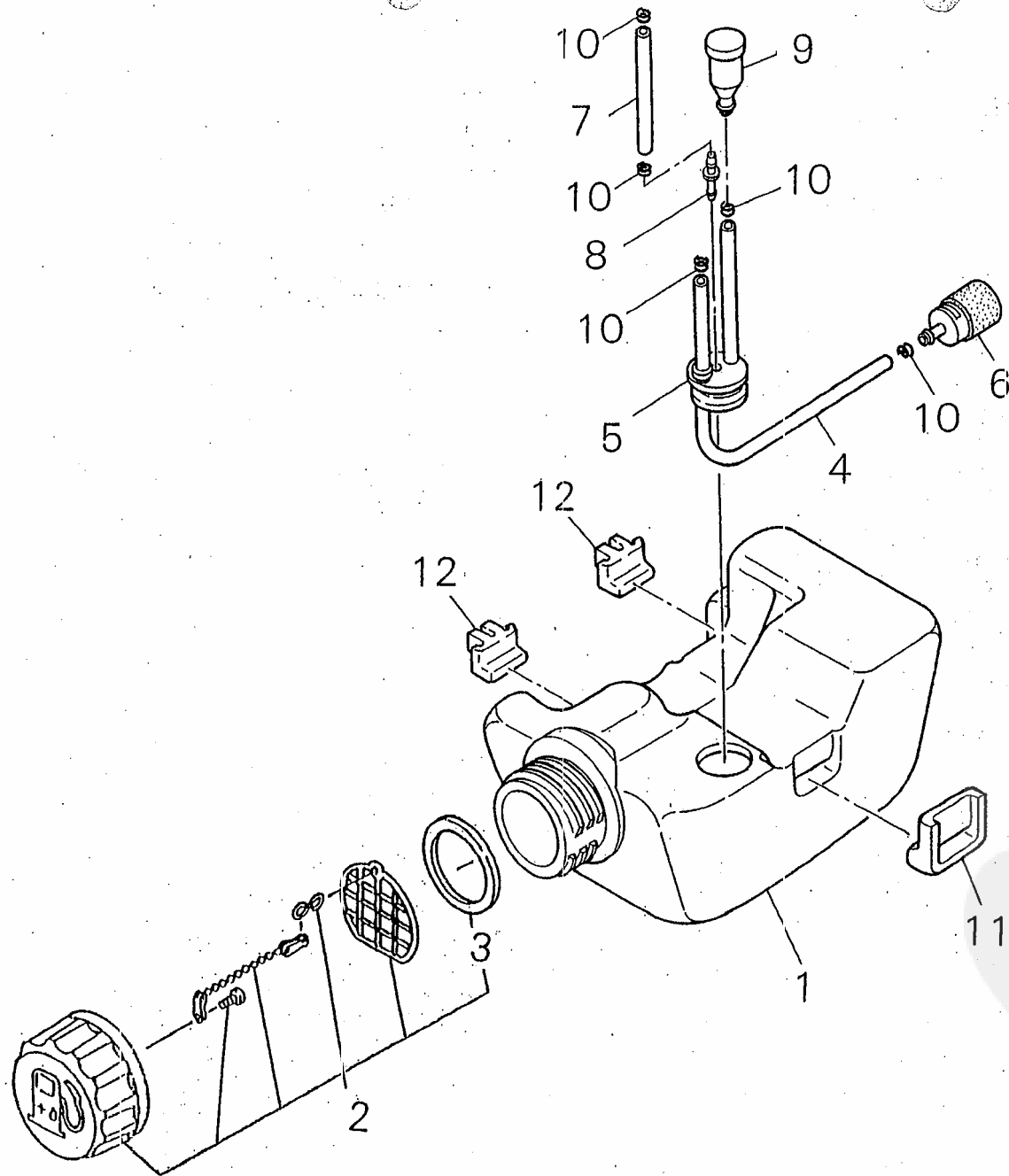


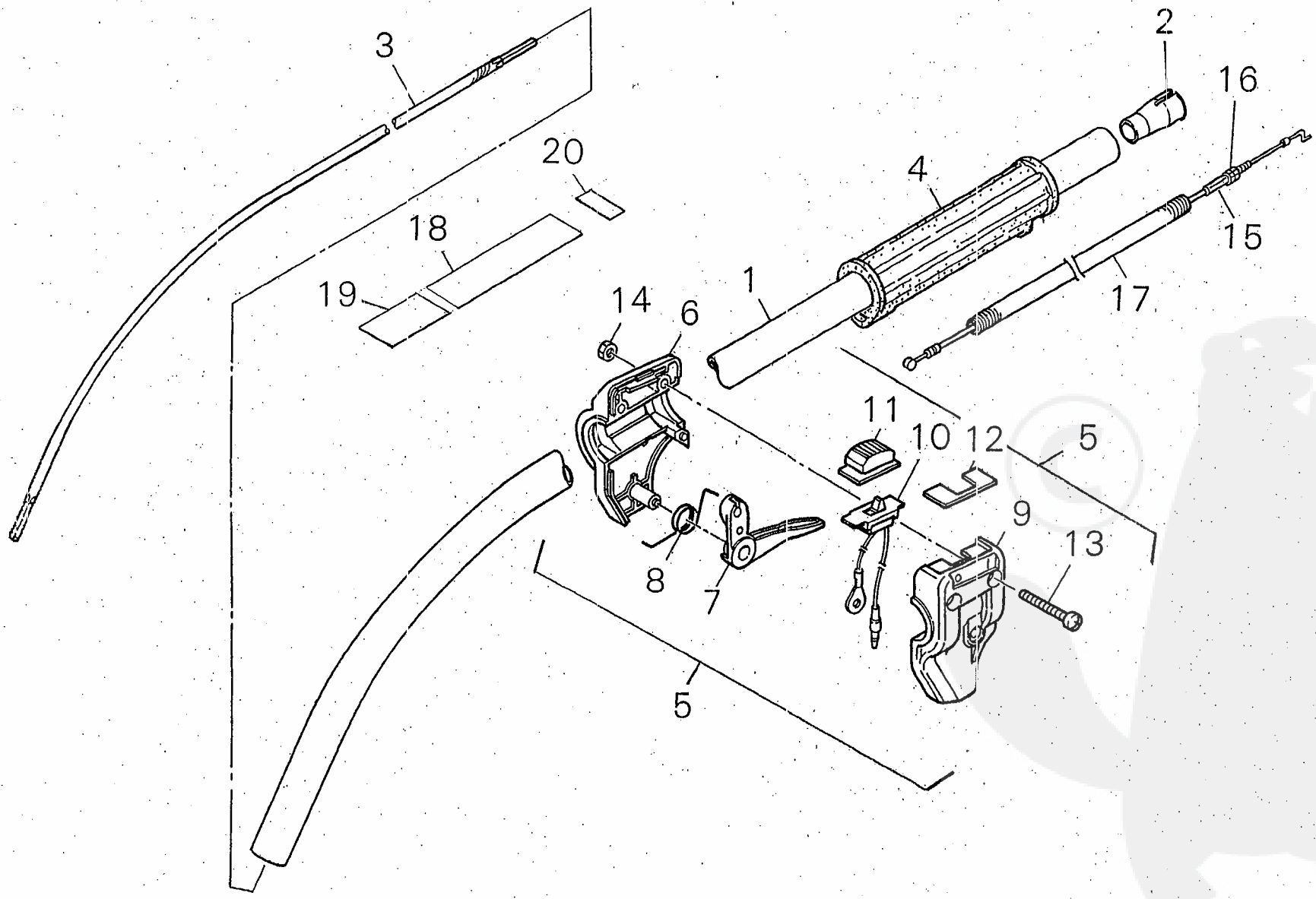
PRICE: (¥)

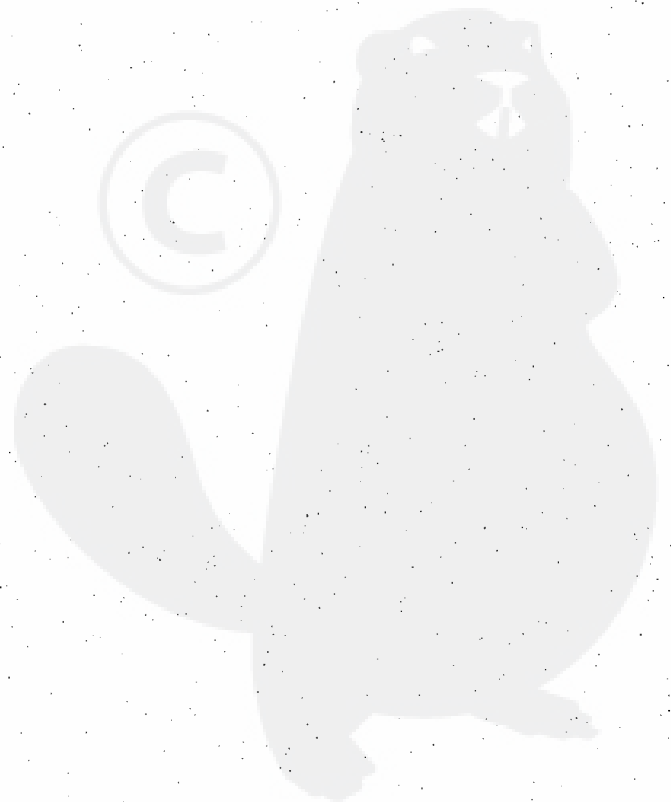
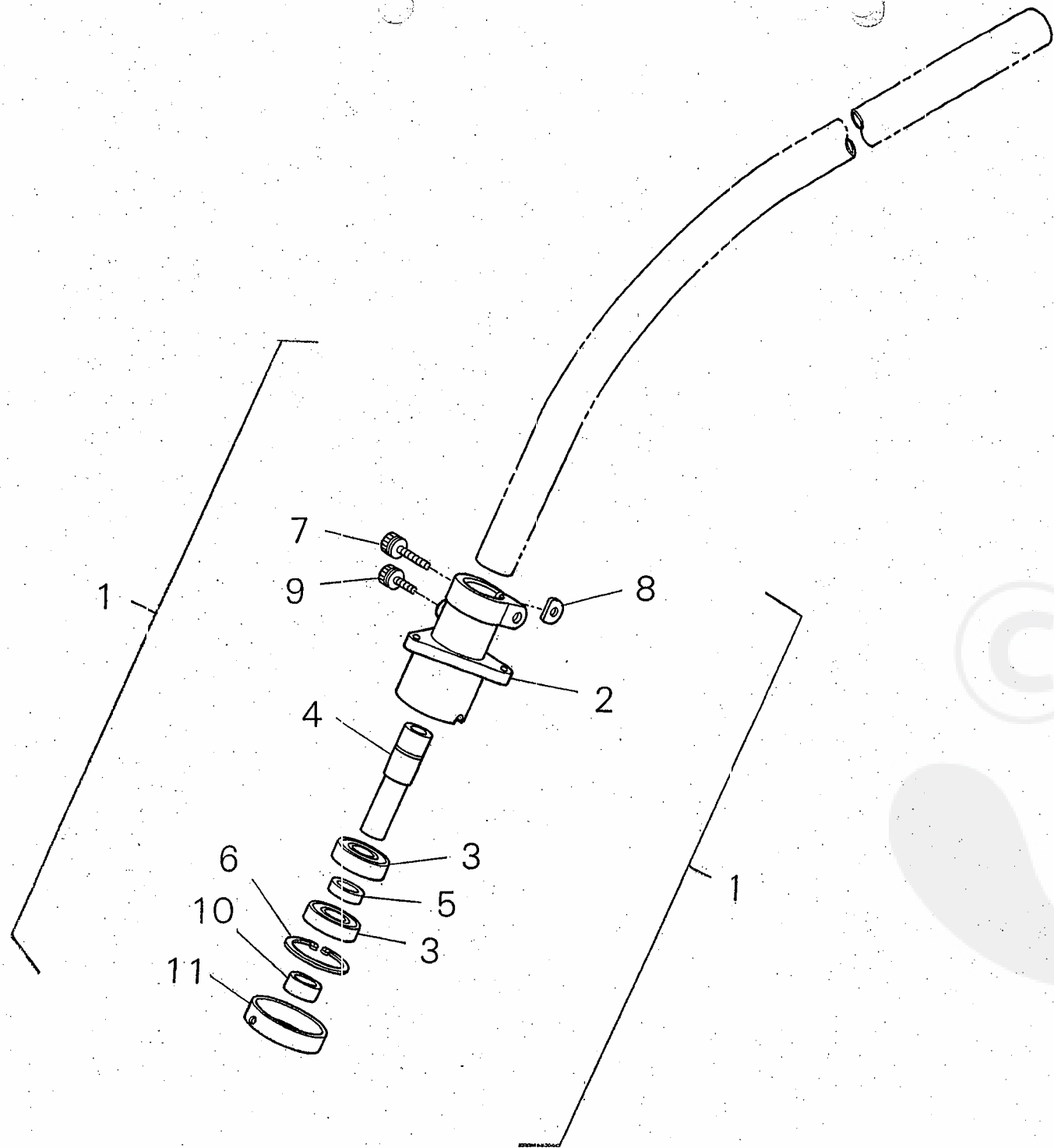
Ref. No.	Part No.	Part Name	Qty	Remarks
4- 1	20140-71200	ROTOR	1	
2	02403-03100	KEY	1	
3	20035-71220	NUT	1	
4	20140-71600	COIL ASSY	1	
5	70064-72111	TUBE	1	
6	20010-72221	PLUG CAP	1	
7	70180-72260	SHIELD	1	
8	20000-72241	PLUG CAP COVER	1	
9	20000-72250	COVER BAND	1	
10	20000-72230	SPRING SPARK PLUG	1	
11	70030-71620	INSULATOR	2	
12	01020-04260	BOLT	2	
13	01600-04101	SPRING WASHER	2	
14	01613-04080	WASHER	2	
15	67000-71240	CORD	1	
16	20011-72120	GROMMET	1	
17	13000-13406	SPARK PLUG BMR6A	1	

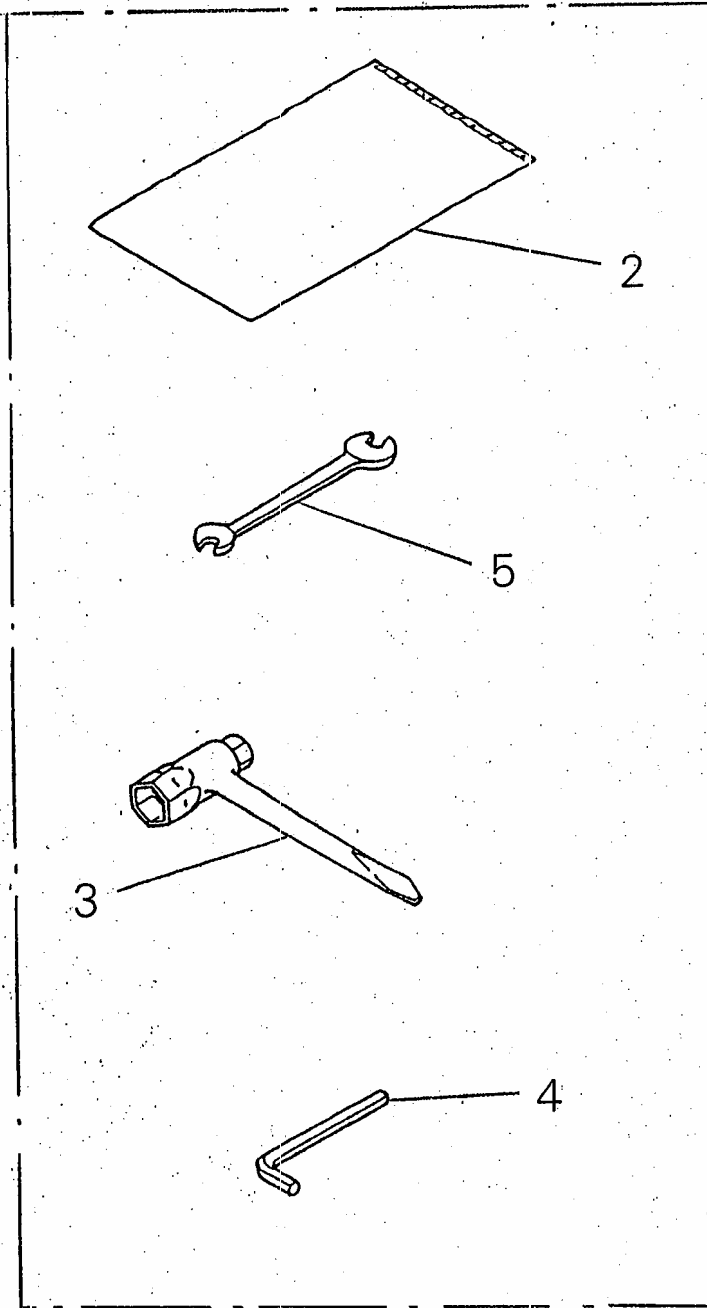












1

2

5

3

4

