

# shindaiwa

## PARTS PRICE LIST

LE250

SHIN-DAIWA KOGYO Co., Ltd.

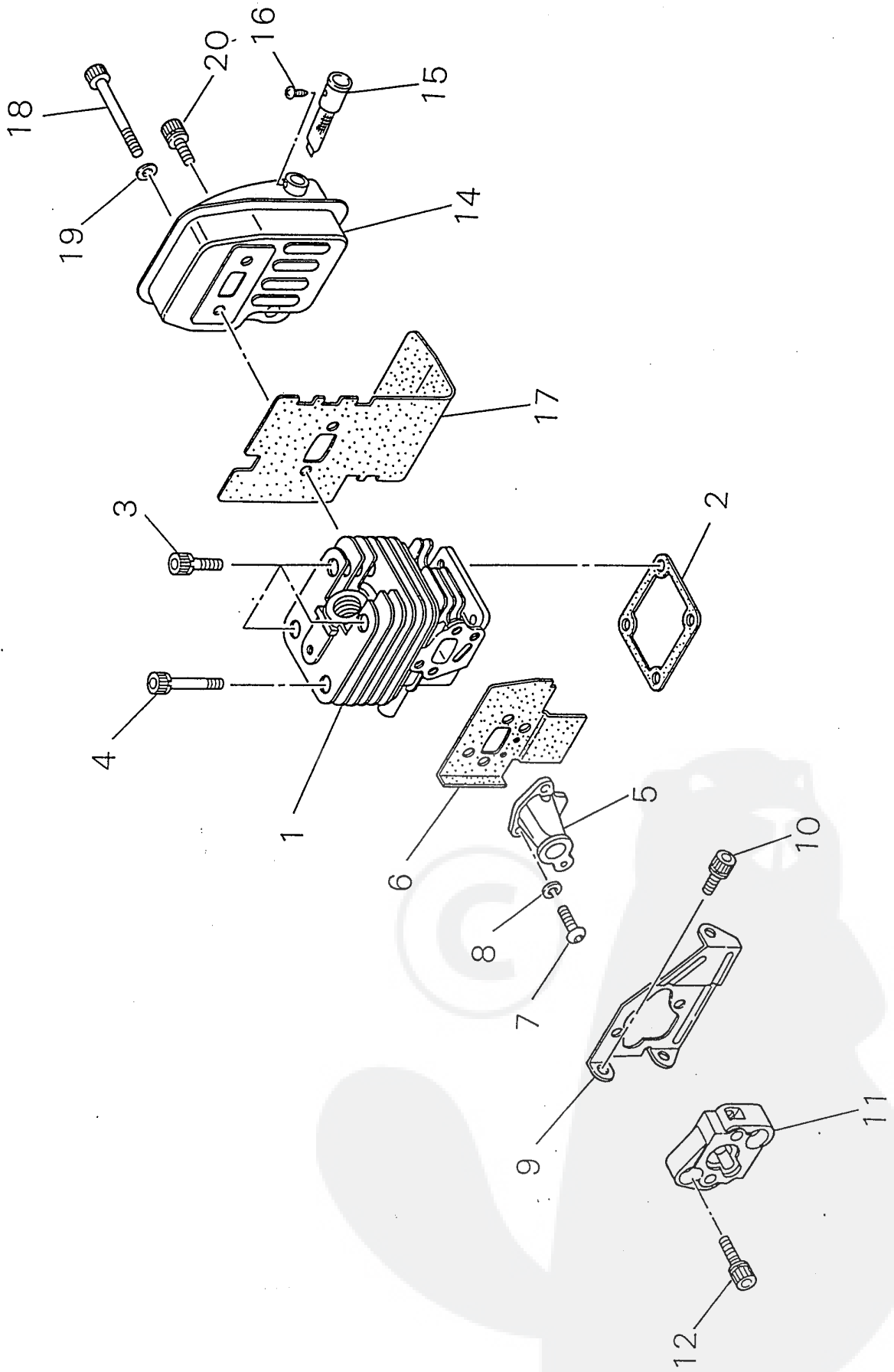
35, Ooaza Shin-Ujigami, Chiyoda-cho Yamagata-gun, Hiroshima, 731-15 Japan

Telephone (082672) 6019 SDKHIR Fax (082672) 7005

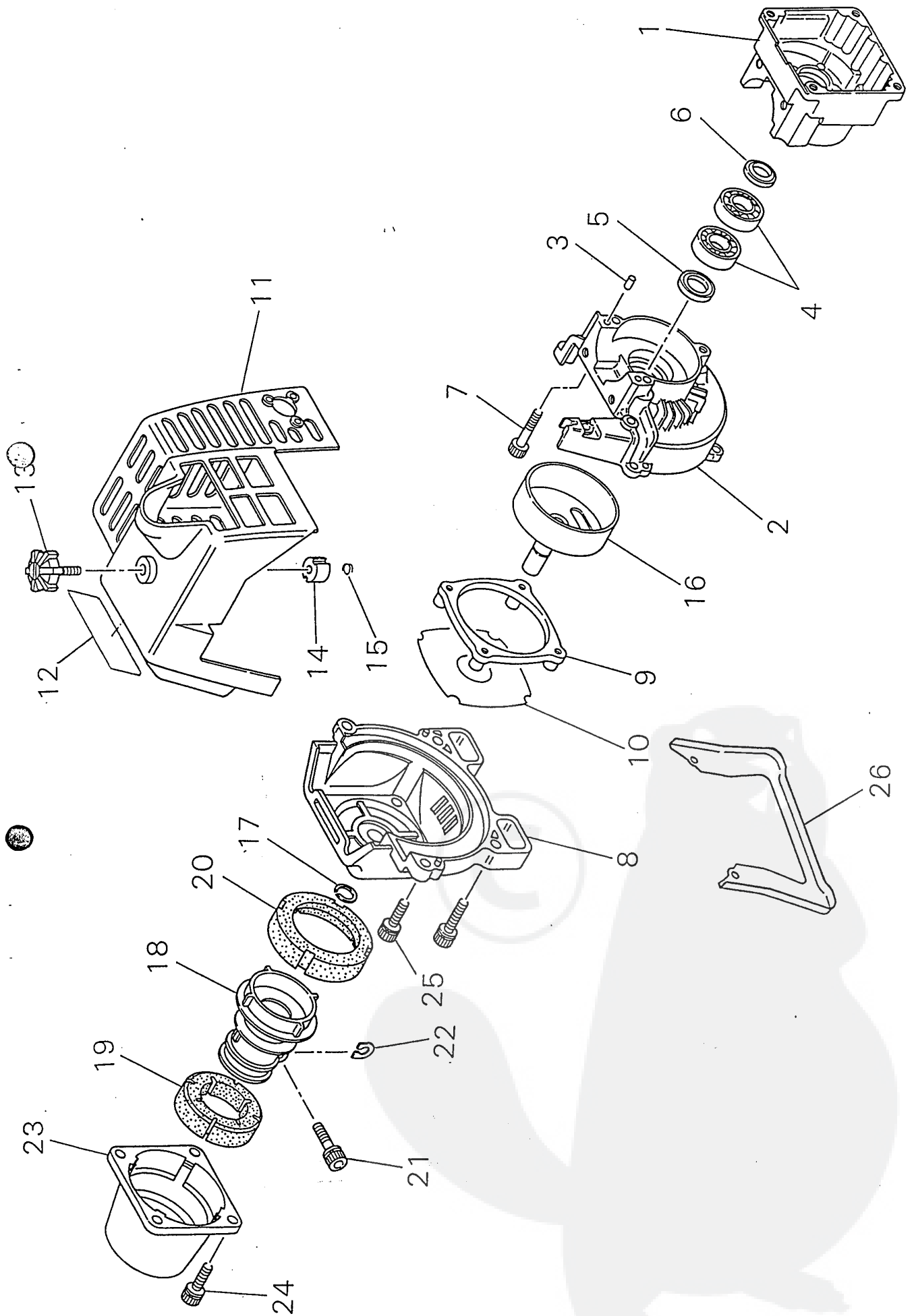
Cable Address SHINDAIWA HIROSHIMA

LE250/USA

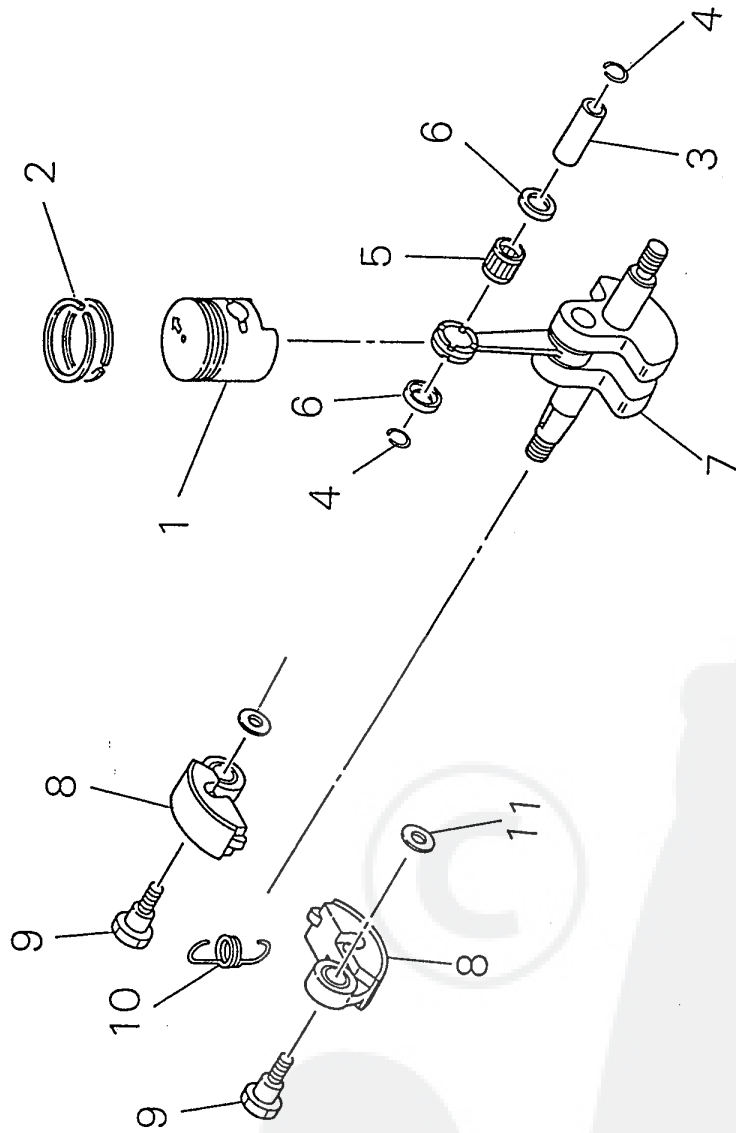
FEB. 16. 1993



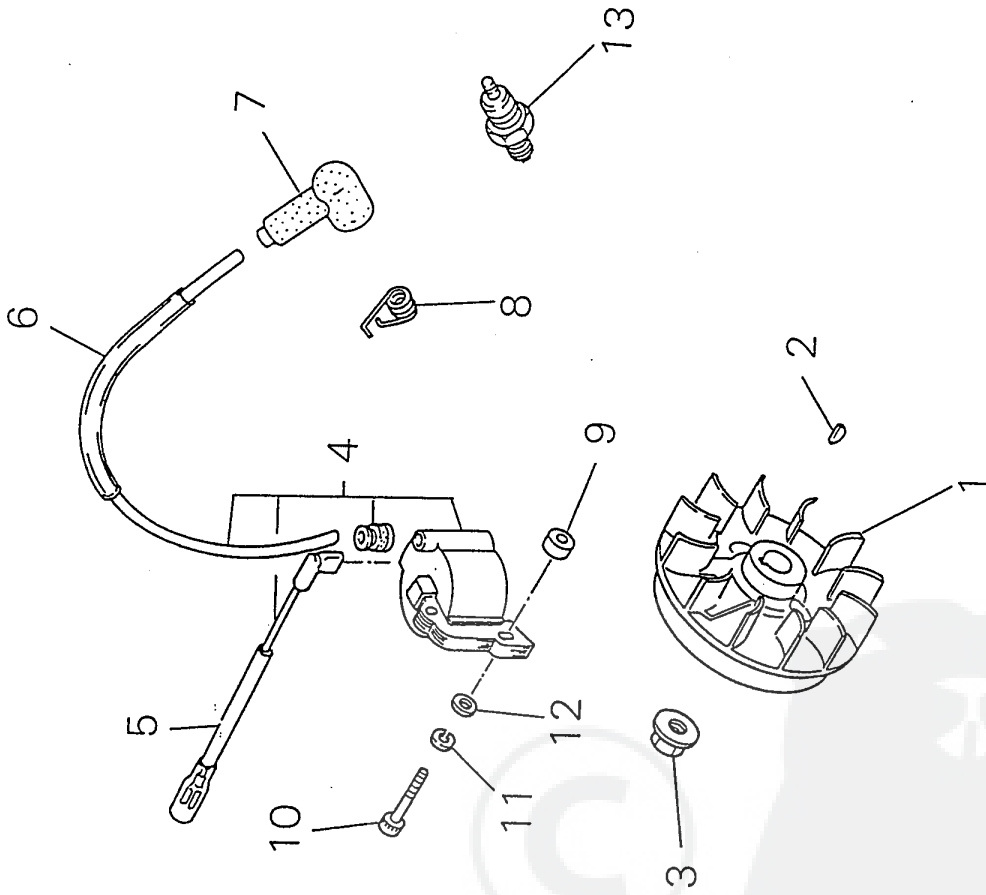






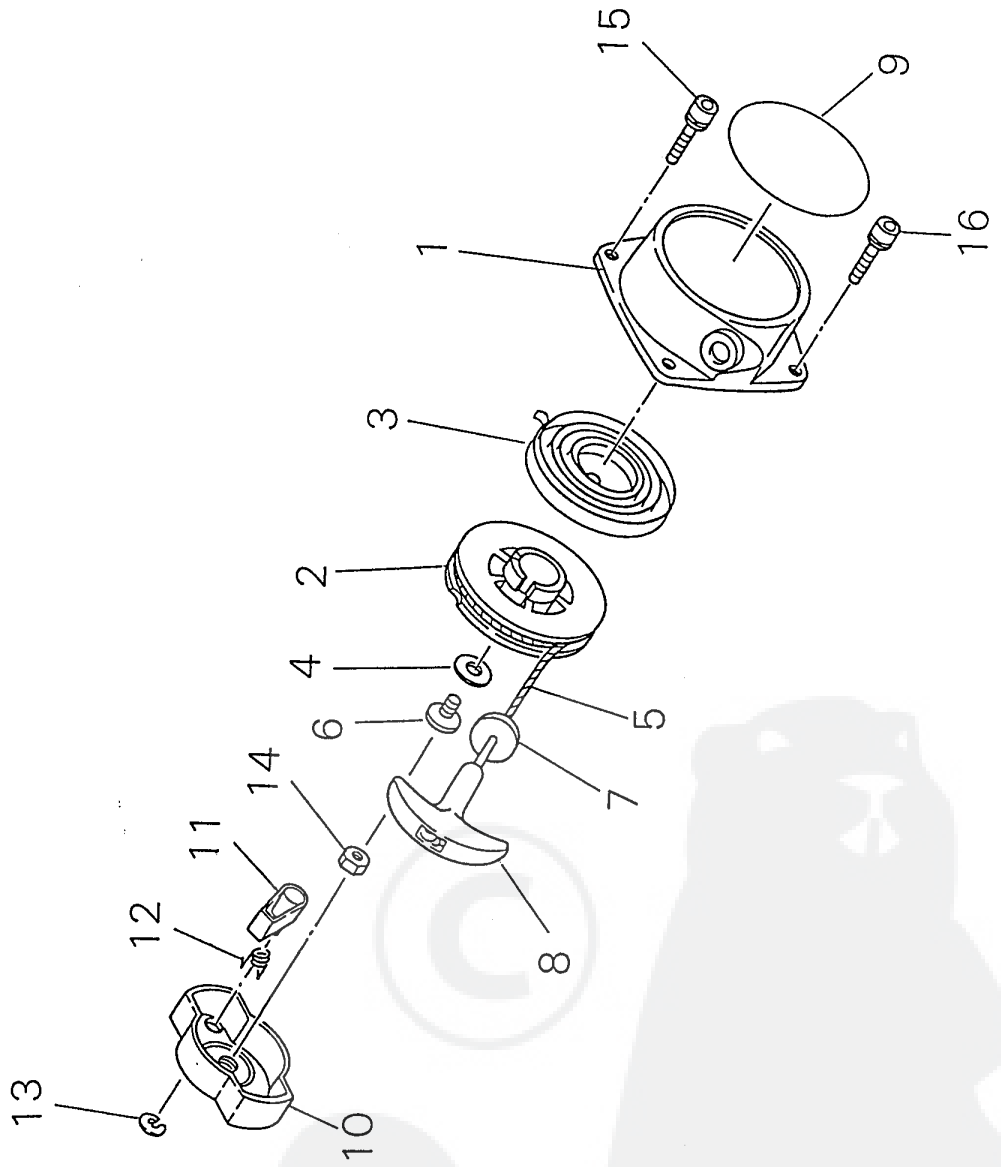




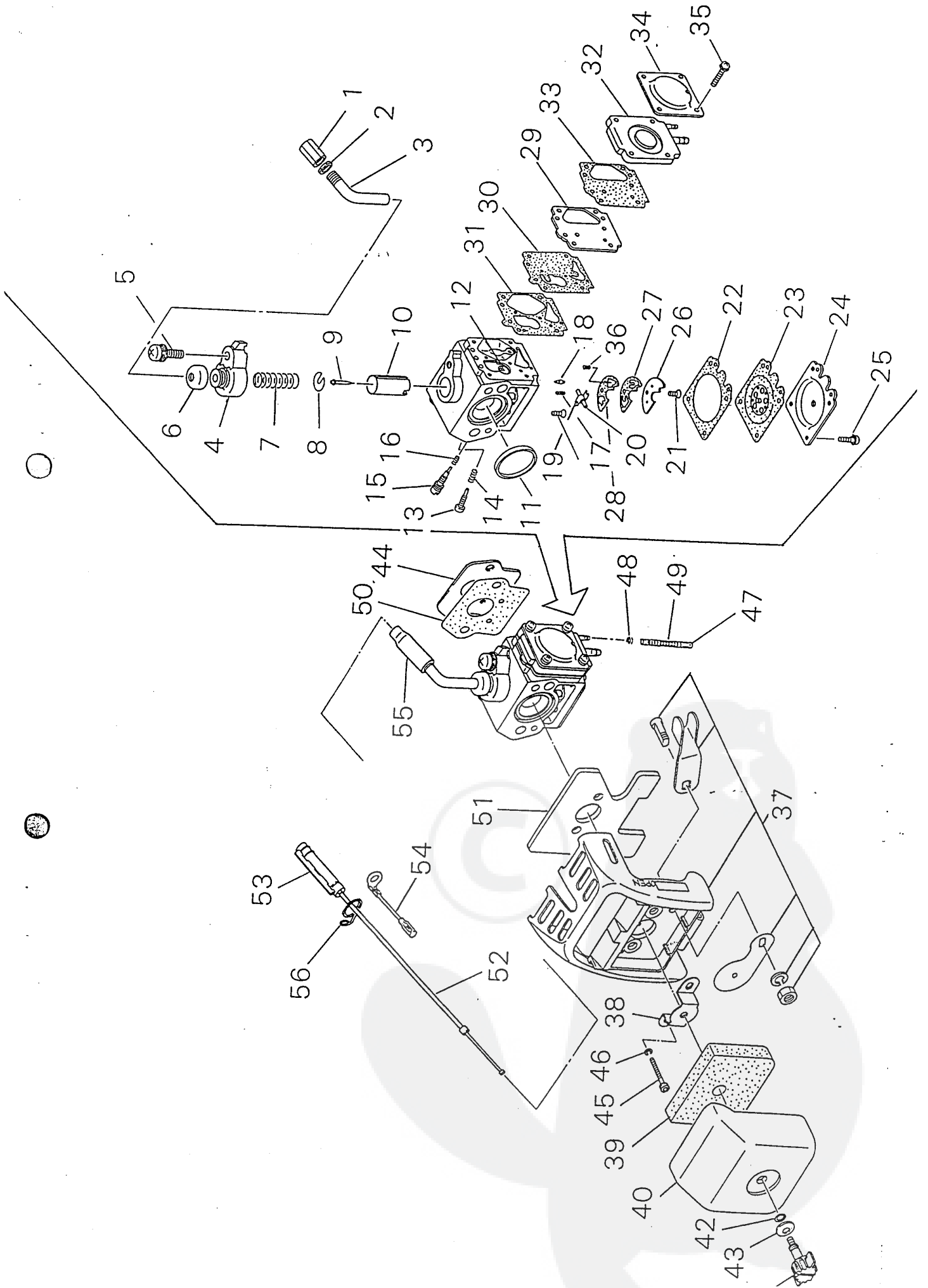












PRICE:(¥)

Ref. No	Part No.	Part Name	Q'ty	Unit Price	Remarks
6-	70139-81001	CARBURETOR ASSY	1		
	20019-81021	· CARBURETOR SUB ASSY	1		
1	20055-81810	·· CABLE ADJUSTER	1		
2	20000-81260	·· LOCK NUT	1		
3	70107-81830	·· ADJUST PIPE	1		
4	20019-81111	·· BODY TOP COMP	1		
5	20019-81120	·· SCREW	1		
6	20055-81130	·· CAP	1		
7	20000-81140	·· SPRING THROTTLE	1		
8	20000-81150	·· SPRING RECEIVE	1		
9	20019-81171	·· JET NEEDLE	1		
10	20019-81181	·· THROTTLE VALVE	1		
11	20019-81280	·· RING GASKET	1		
12	20019-81290	·· SCREEN	1		
13	20019-81310	·· SLOW STOP SCREW	1		
14	72920-81820	·· SPRING	1		
15	20070-81350	·· MAIN ADJUST SCREW	1		
16	20011-81360	·· SPRING	1		
17	20040-81430	·· SPRING	1		
18	20019-81440	·· NEEDLE VALVE	1		
19	20019-81450	·· CONTROL LEVER	1		
20	20011-81460	·· PIN	1		
21	20011-81470	·· SCREW	2		
22	20019-81510	·· GASKET	1		
23	20019-81520	·· DIAPHRAGM ASSY	1		
24	20019-81530	·· COVER DIAPHRAGM	1		
25	20000-81540	·· SCREW	4		
26	20019-81560	·· PLATE	1		
27	20019-81570	·· CHECK VALVE	1		
28	20019-81580	·· GASKET	1		
29	20019-81610	·· PUMP PLATE	1		
30	20019-81620	·· DIAPHRAGM PUMP	1		
31	20019-81630	·· GASKET	1		
32	20019-81640	·· PUMP COVER	1		
33	20019-81660	·· GASKET	1		
34	20019-81670	·· COVER DIAPHRAGM	1		
35	20019-81680	·· SCREW	4		
36	20011-81680	·· SPRING	1		

PARTS LIST  
SHINDAIWA  
(L138 LIA0380P)

LE250/USA



