

Shindaiwa Illustrated Parts List

T220 EC1 Trimmer

CYLINDER / MUFFLER	2
CRANKCASE	3
PISTON / CLUTCH / CRANKSHAFT	4
ROTOR / COIL ASSEMBLY	5
RECOIL STARTER	6
CARBURETOR / CLEANER	7
FUEL TANK	8
OUTER PIPE / THROTTLE LEVER	9
GEAR CASE	10
HANDLE	11
GUARD SET / STRAP ASSEMBLY	12
TOOL SET	13

www.shindaiwa.com

11975 SW Herman Road

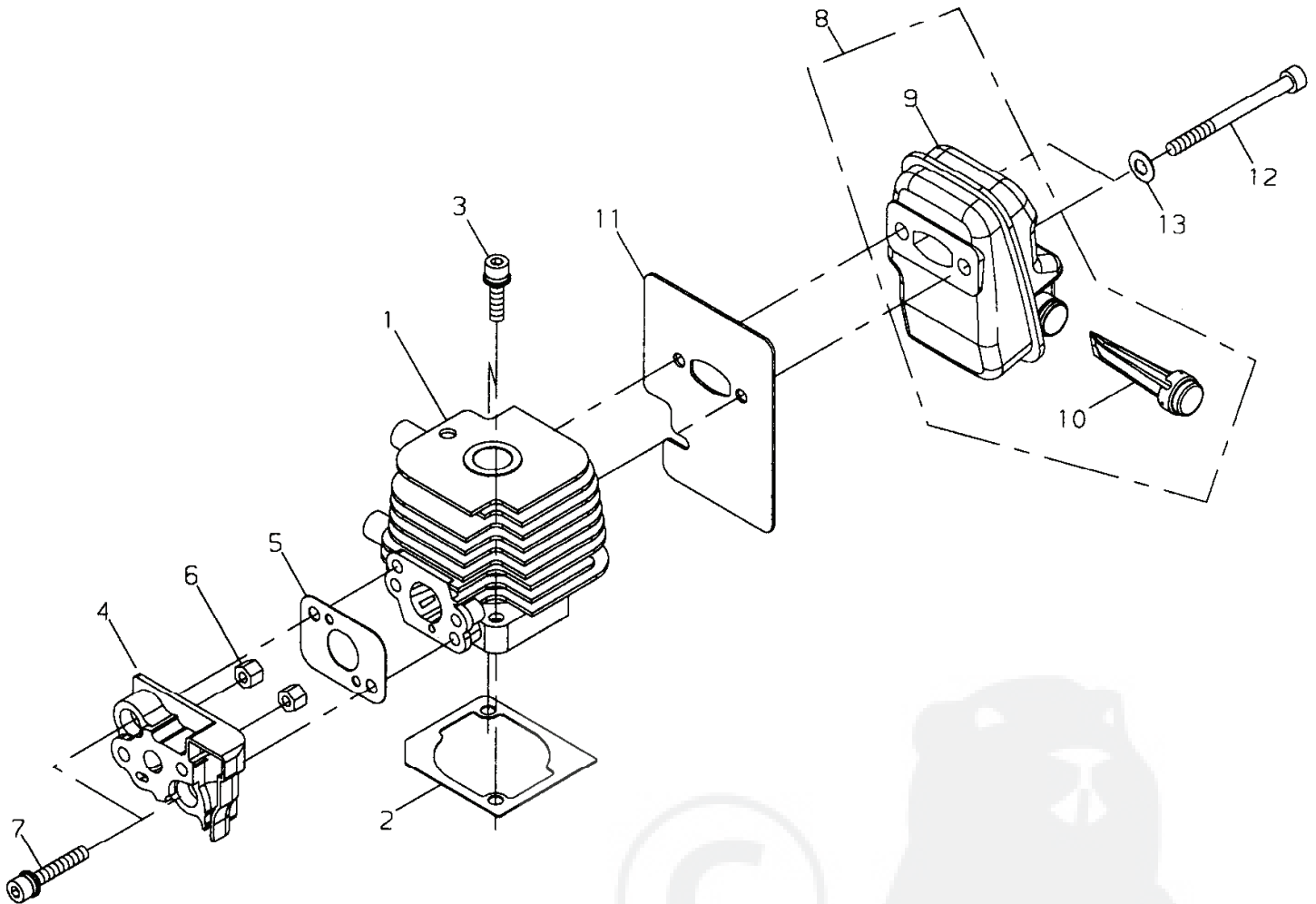
Tualatin, Oregon 97062, U.S.A.

1 + 503.692.3070 • fax 1 + 503.692.6696 •

shindaiwa

CYLINDER / MUFFLER

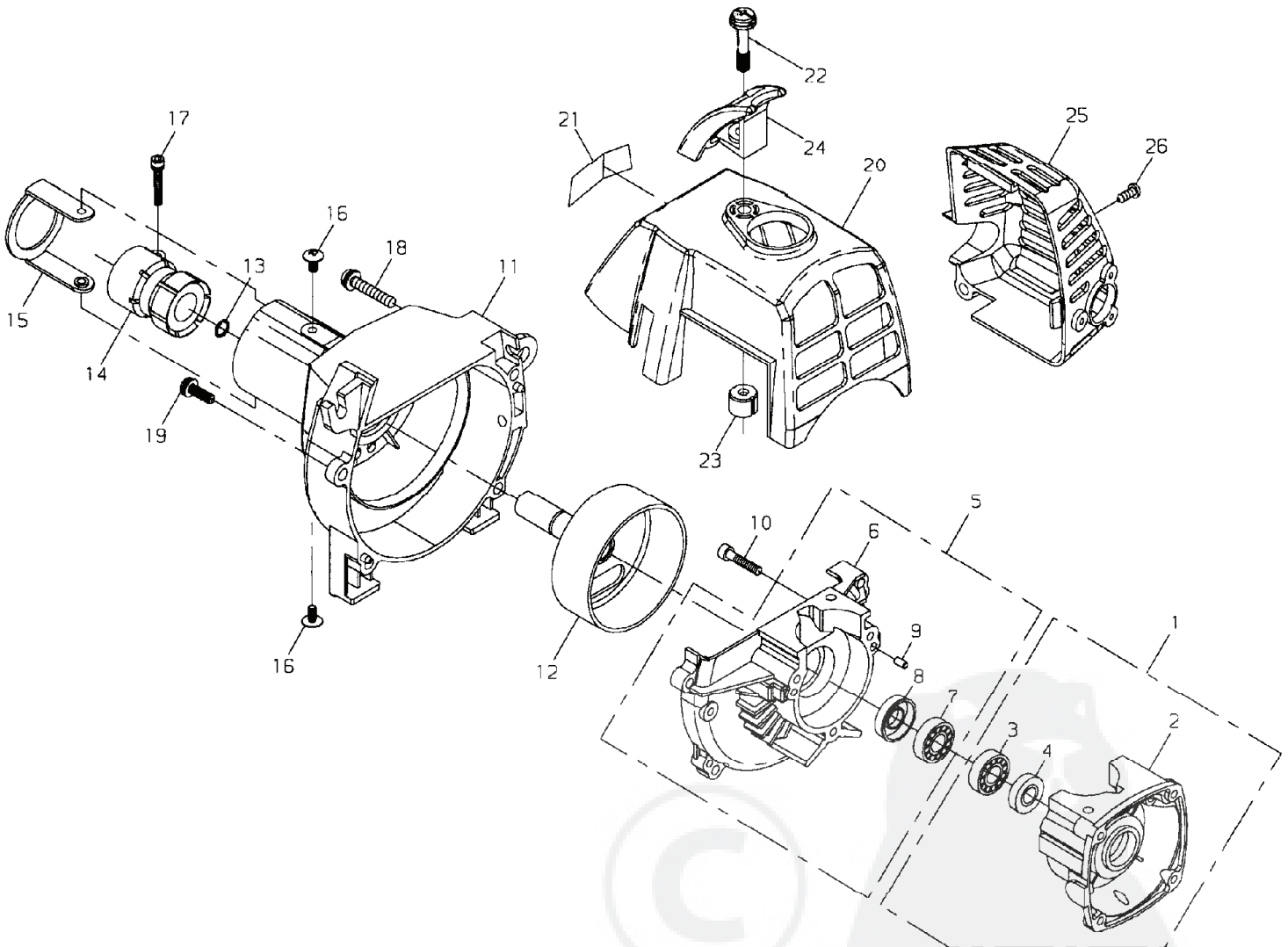
ILLUSTRATION 1 - REV 10/04



Ref. No	Part No.	Part Name	Q'ty
1- 1	20142-12110	CYLINDER	1
2	20016-12120	GASKET	1
3	11022-05250	BOLT SPW	2
4	20140-12210	INSULATOR	1
5	20140-12221	GASKET	1
6	20011-12260	NUT	2
7	11022-05250	BOLT SPW	2
8	67000-15010	MUFFLER ASSEMBLY	1
9	67000-15110	*MUFFLER	1
10	67000-15340	*SPARK ARRESTER	1
11	20140-15120	GASKET	1
12	01020-05400	BOLT	2
13	01610-05080	WASHER	2

CRANKCASE

ILLUSTRATION 2 - REV 10/04



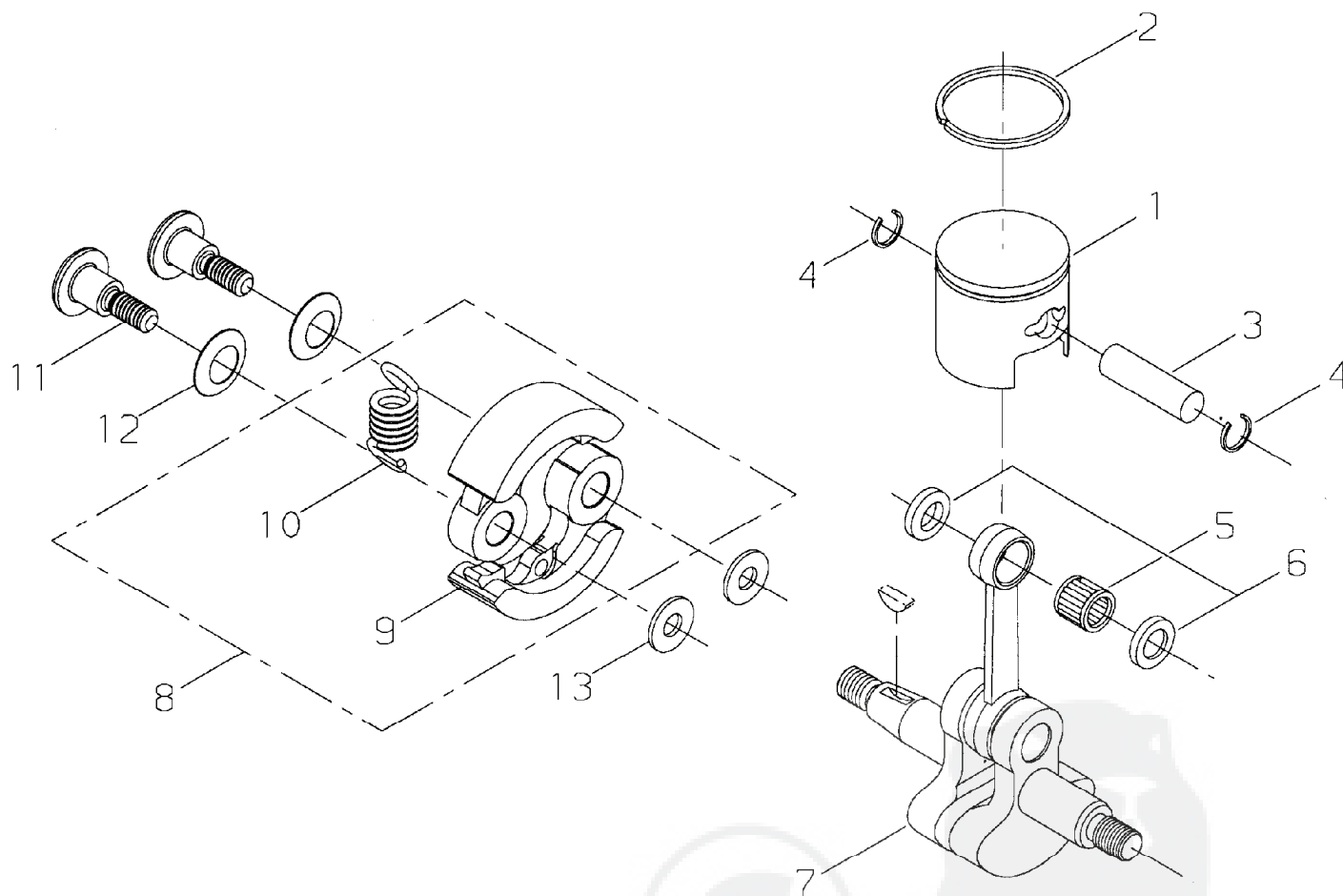
Ref. No	Part No.	Part Name	Q'ty
2- 1	20035-21101	CRANKCASE S COMP	1
2	20036-21112	*CRANKCASES	1
3	12900-60010	*BEARING	1
4	22150-21250	*OIL SEAL	1
5	20140-21201	CRANKCASE M COMP	1
6	20036-21124	*CRANKCASE M	1
7	12900-60010	*BEARING	1
8	20000-21211	*OIL SEAL	1
9	12492-40080	*ROLLER	2
10	01020-05250	BOLT	3
11	20142-31113	FAN COVER	1
12	20016-31212	CLUTCH DRUM	1
13	20000-31140	SNAP RING	1

Ref. No	Part No.	Part Name	Q'ty
14	20087-31411	JOINT	1
15	20142-31420	STOPPER	1
16	11260-04081	SCREW ADHESIVE	2
17	11020-05220	BOLT SW	1
18	11206-05300	SCREW PMSPW	1
19	11206-05160	SCREW PMSPW	1
20	20140-32112	CYLINDER COVER	1
21	62090-91320	LABEL TRADE	1
22	20140-31250	SCREW PMSLPW	1
23	20140-31260	INSULATOR	1
24	20140-34112	PROTECTOR	1
25	20142-32211	MUFFLER COVER	1
26	22160-32210	SCREW PC	1

* Denotes item is part of an assembly ** Denotes item is part of a sub-assembly

PISTON / CLUTCH / CRANKSHAFT

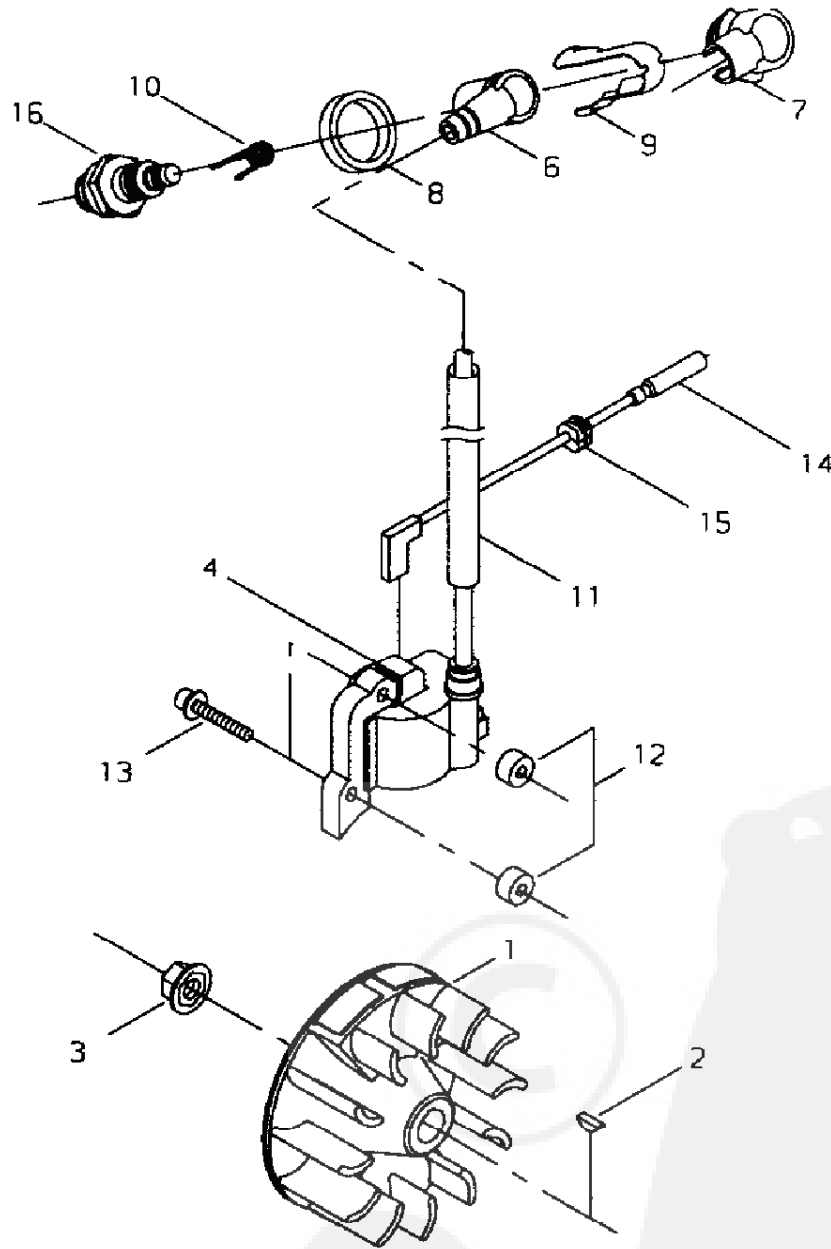
ILLUSTRATION 3 - REV 10/04



Ref. No	Part No.	Part Name	Q'ty
3- 1	20142-41110	PISTON	1
2	20142-41210	PISTON RING	1
3	20142-41310	PISTON PIN	1
4	70030-41320	SNAP RING	2
5	67000-41230	NEEDLE BEARING	1
6	20016-41340	THRUST WASHER	2
7	67000-42010	CRANKSHAFT	1
8	62090-51020	CLUTCH SHOE ASSEMBLY	1
9	20035-51111	*CLUTCH SHOE	2
10	37013-51310	*COIL SPRING	1
11	20142-51210	BOLT	2
12	20087-51231	SPRING PLATE	2
13	22100-71430	WASHER	2

ROTOR / COIL ASSEMBLY

ILLUSTRATION 4 - REV 10/04



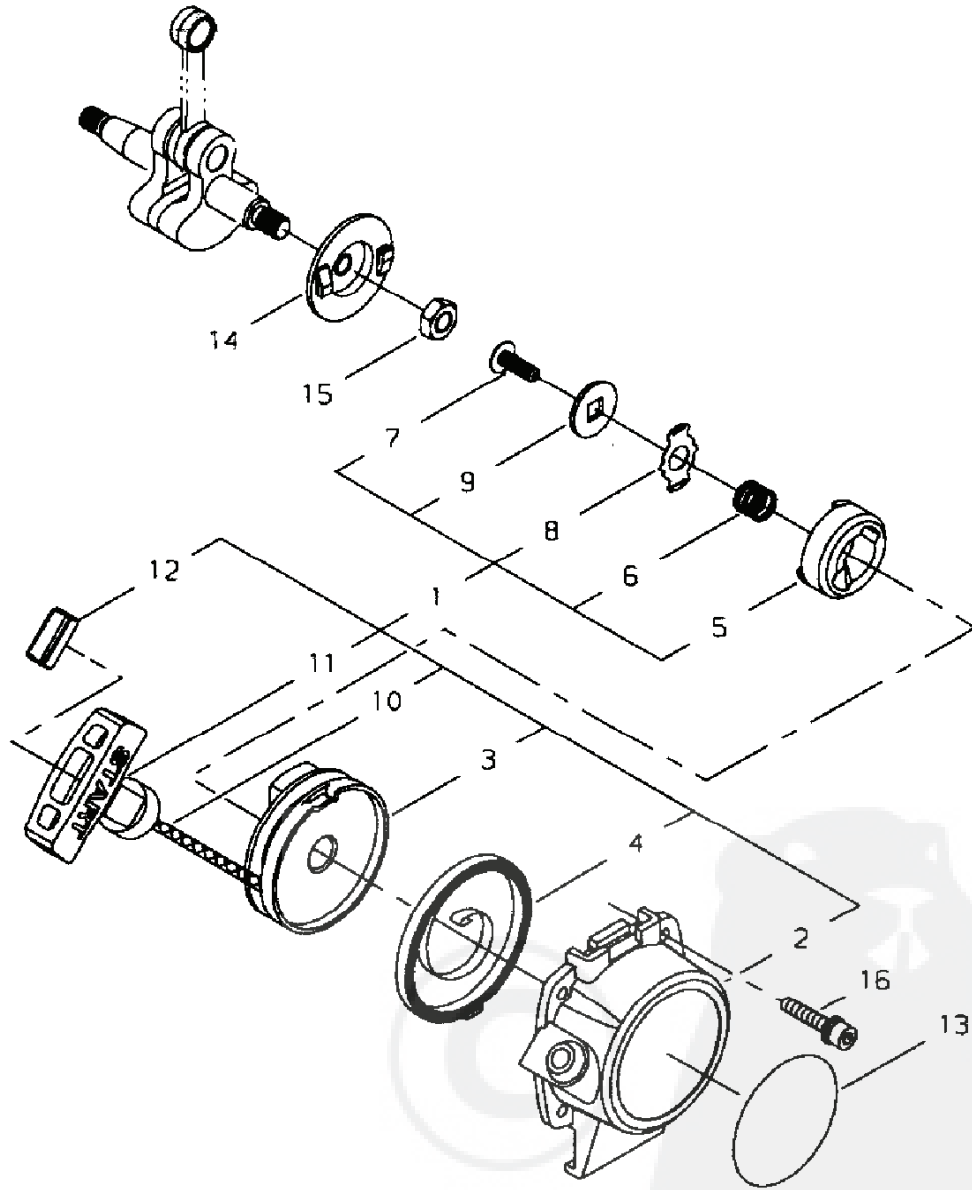
Ref. No	Part No.	Part Name	Q'ty
4-1	20140-71200	ROTOR	1
2	02403-03100	KEY	1
3	20035-71220	NUT	1
4	20140-71600	COIL ASSEMBLY	1
6	20010-72221	PLUG CAP	1
7	20000-72241	PLUG CAP COVER	1
8	20000-72250	COVER BAND	1
9	70180-72260	SHIELD	1

Ref. No	Part No.	Part Name	Q'ty
10	20000-72230	SPRING SPARKPLUG	1
11	70064-72111	TUBE	1
12	70030-71620	INSULATOR	2
13	11024-04261	BOLT SLPW	2
14	67000-71240	CORD	1
15	20011-72120	GROMMET	1
16	13000-13406	SPARKPLUG BMR6A	1

* Denotes item is part of an assembly ** Denotes item is part of a sub-assembly

RECOIL STARTER

ILLUSTRATION 5 - REV 10/04

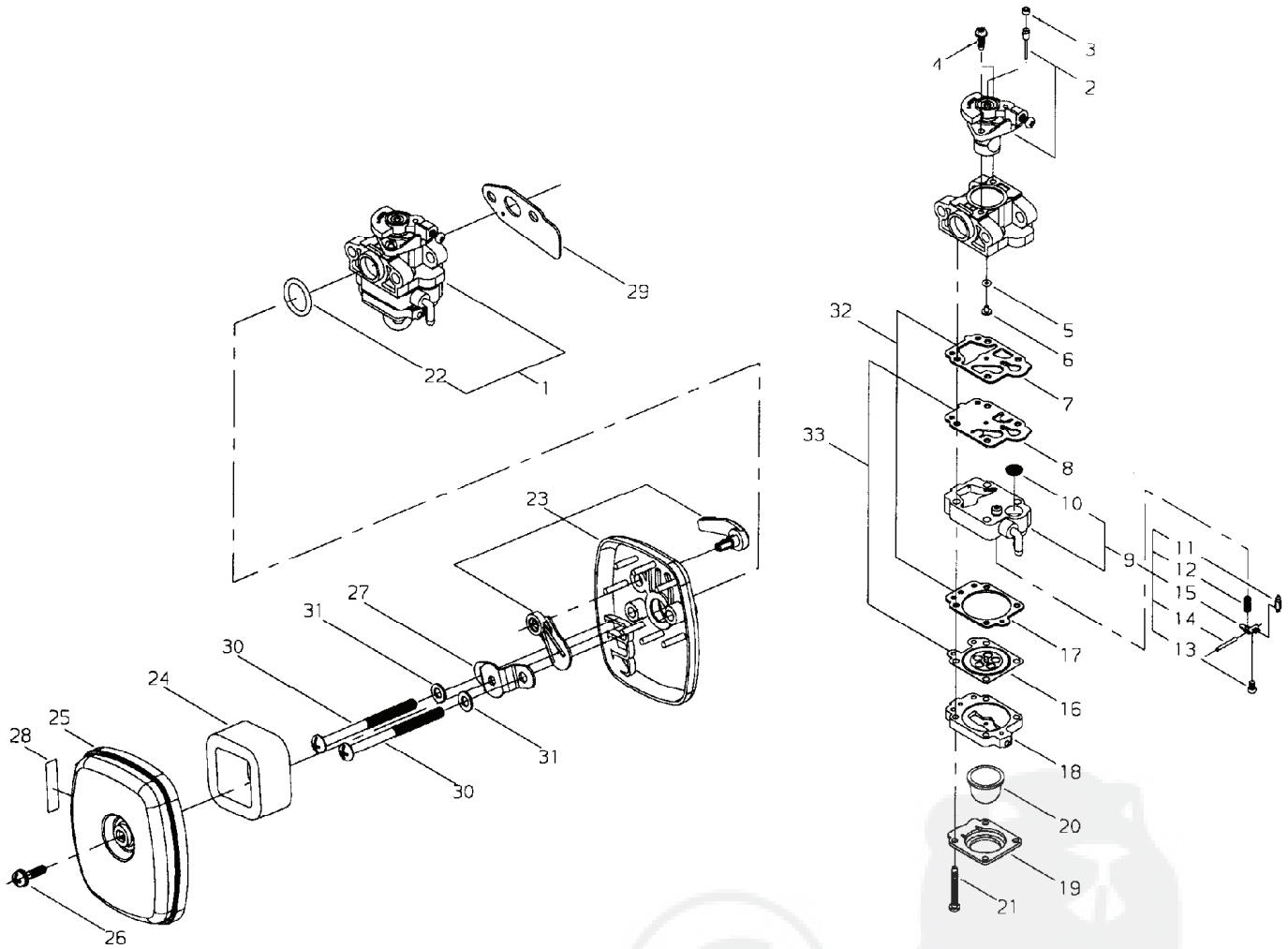


Ref. No	Part No.	Part Name	Q'ty
5-1	20140-75100	RECOIL STARTER SUB ASSEMBLY	1
2	20140-75110	*STARTER CASE	1
3	20140-75120	*REEL	1
4	20140-75130	*SPRING	1
5	20140-75140	*DOG	1
6	20140-75150	*BRAKE SPRING	1
7	20140-75160	*SCREW	1
8	20140-75170	*RETAINER	1

Ref. No	Part No.	Part Name	Q'ty
9	20140-75180	*WASHER	1
10	70064-75190	*ROPE	1
11	70064-75211	*HANDLE	1
12	70064-75220	*STOPPER	1
13	62090-91330	NAMEPLATE	1
14	20140-75310	STARTER PULLEY	1
15	01511-08051	NUT	1
16	11024-04120	BOLT SPW	2

CARBURETOR / CLEANER

ILLUSTRATION 6 - REV 10/04



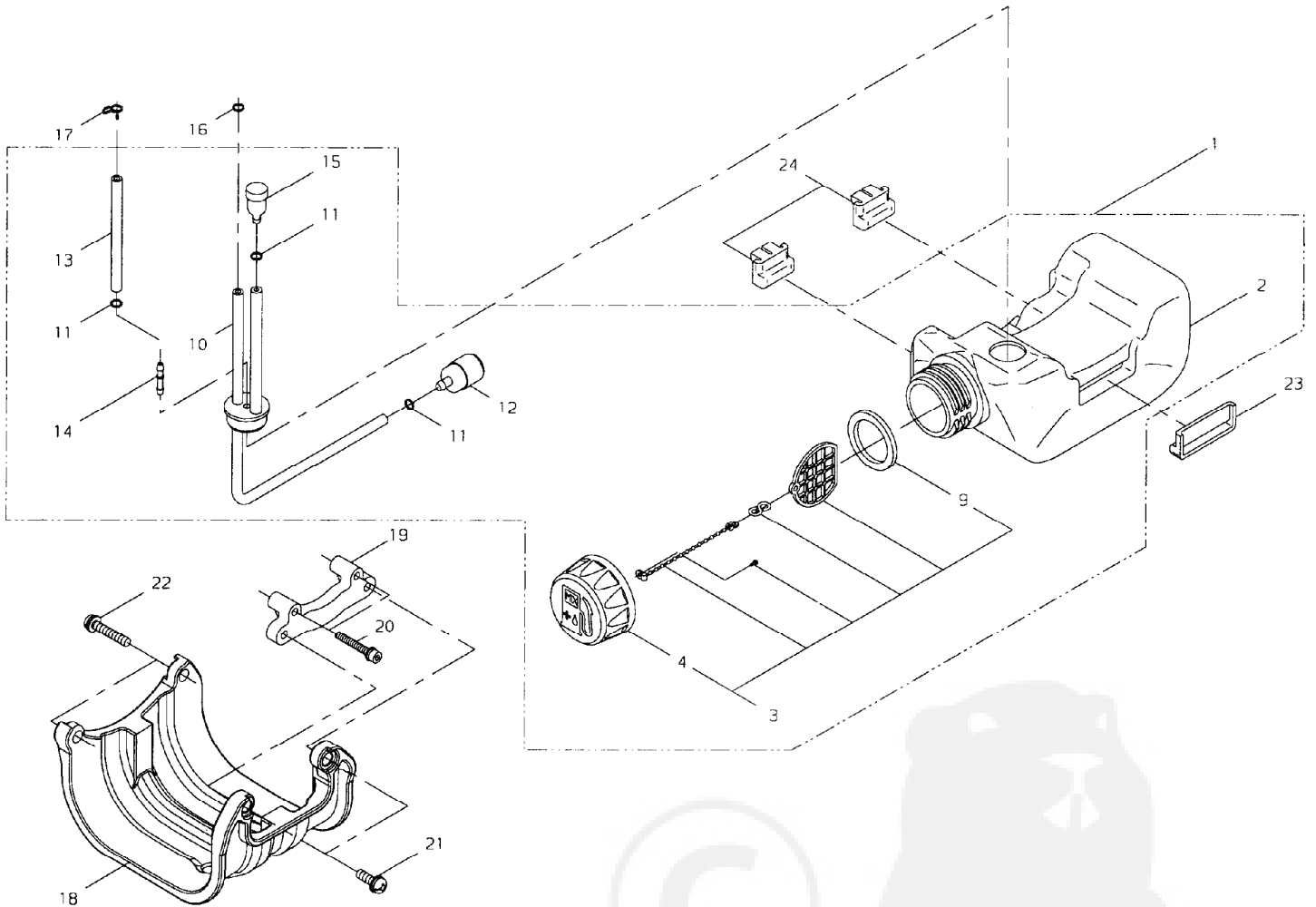
Ref. No	Part No.	Part Name	Q'ty
6-1	67000-81010	CARBURETOR ASSEMBLY	1
2	20016-81180	*VALVE ASSEMBLY	1
3	62074-81320	*PLAG	1
4	70064-81290	*SCREW	2
5	70097-81330	*PUMP PLATE	1
6	67000-81330	*MAIN JET	1
7	70097-81310	*GASKET PUMP	1
8	70097-81320	*DIAPHRAGM	1
9	72933-81410	*PUMP BODY ASSEMBLY	1
10	70030-81380	**SCREEN	1
11	20036-81440	**NEEDLE VALVE	1
12	72933-81270	**SPRING	1
13	20016-81450	**SCREW	1
14	22100-81250	**PIN	1
15	22100-81230	**LEVER	1
16	22100-81260	*DIAPHRAGM ASSEMBLY	1
17	20016-81280	*GASKET	1
18	20016-81420	*PUMP BASE COMP	1

Ref. No	Part No.	Part Name	Q'ty
19	20016-81510	*PUMP COVER	1
20	20036-81670	*PRIMER PUMP	1
21	20016-81140	*SCREW	4
22	20016-81250	*O-RING	1
23	20140-81700	CLEANER BODY SUB ASSEMBLY	1
24	20140-82210	FILTER	1
25	20140-81790	CLEANER COVER	1
26	37019-82340	SCREW PMSLPW	1
27	20018-81721	BACK PLATE	1
28	19404-00008	LABEL CHOKE	1
29	20140-81350	GASKET	1
30	11203-05658	SCREW PM	2
31	01610-05080	WASHER	2
32	20016-81910	GASKET KIT	1
7	70097-81310	*GASKET PUMP	1
17	20016-81280	*GASKET	1
33	70097-81920	DIAPHRAGM KIT	1
8	70097-81320	*DIAPHRAGM	1
16	22100-81260	*DIAPHRAGM ASSEMBLY	1

* Denotes item is part of an assembly ** Denotes item is part of a sub-assembly

FUEL TANK

ILLUSTRATION 7 - REV 10/04

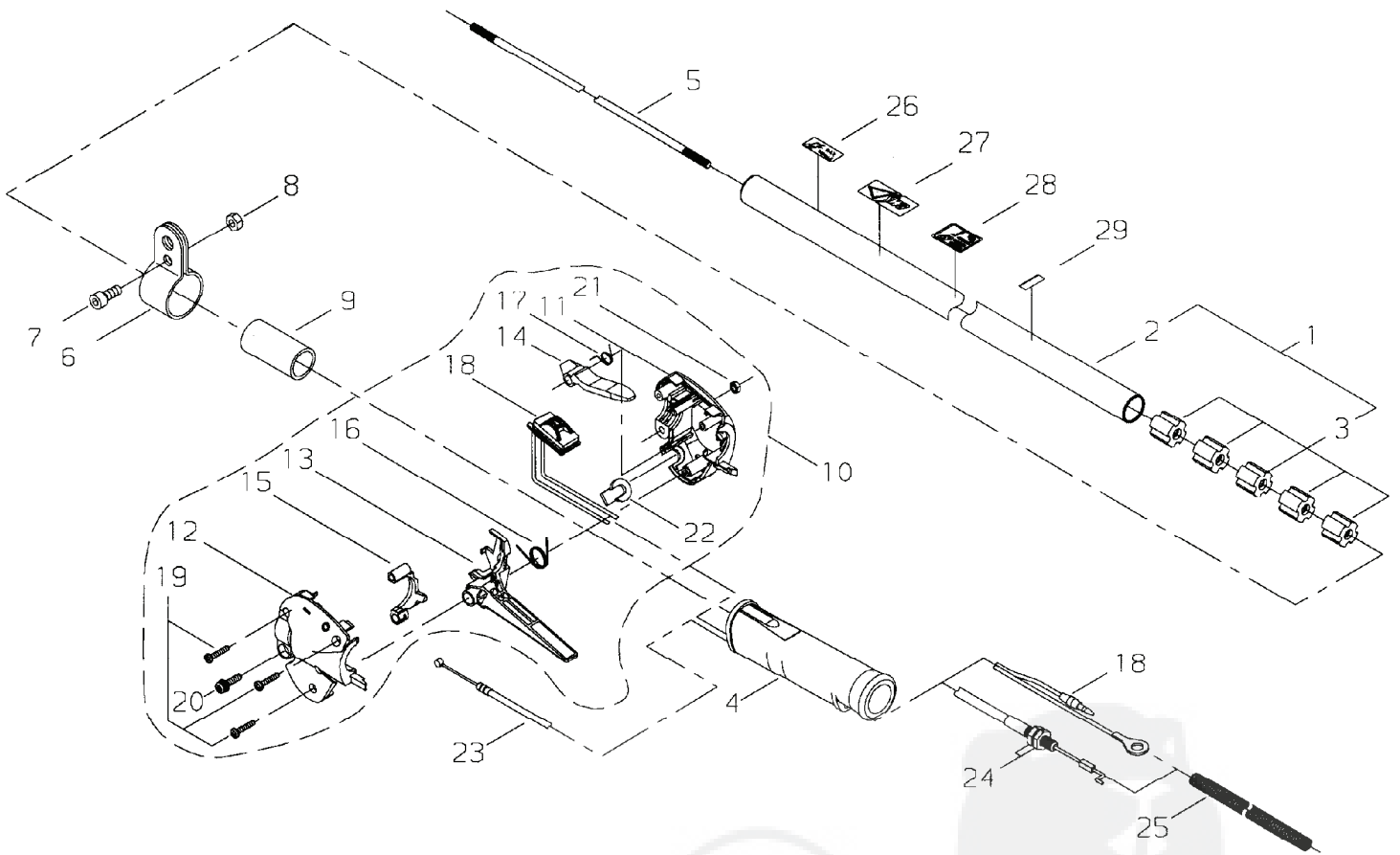


Ref. No	Part No.	Part Name	Q'ty
7- 1	62002-85013	FUEL TANK ASSEMBLY	1
2	20142-85113	*FUEL TANK	1
3	70168-85201	*FUEL CAP ASSEMBLY	1
4	70168-85210	**FUEL CAP	1
9	20000-85221	**GASKET	1
10	20140-85310	*FUEL PIPE	1
11	20020-85540	*CLIP	3
12	20016-85400	*FUEL FILTER	1
13	20112-85361	*PIPE	1
14	72933-85620	*JOINT	1

Ref. No	Part No.	Part Name	Q'ty
15	20035-85522	*VALVE	1
16	20020-85540	CLIP	1
17	37013-85310	CLIP	1
18	62902-85320	TANK GUARD	1
19	67000-86310	BRACKET	1
20	11024-04300	BOLT SW	2
21	11206-05180	SCREW PM	2
22	11206-05350	SCREW PMSPW	2
23	20087-86130	TANK CUSHION	1
24	20087-86141	TANK CUSHION	2

OUTER PIPE / THROTTLE LEVER

ILLUSTRATION 8 - REV 10/04



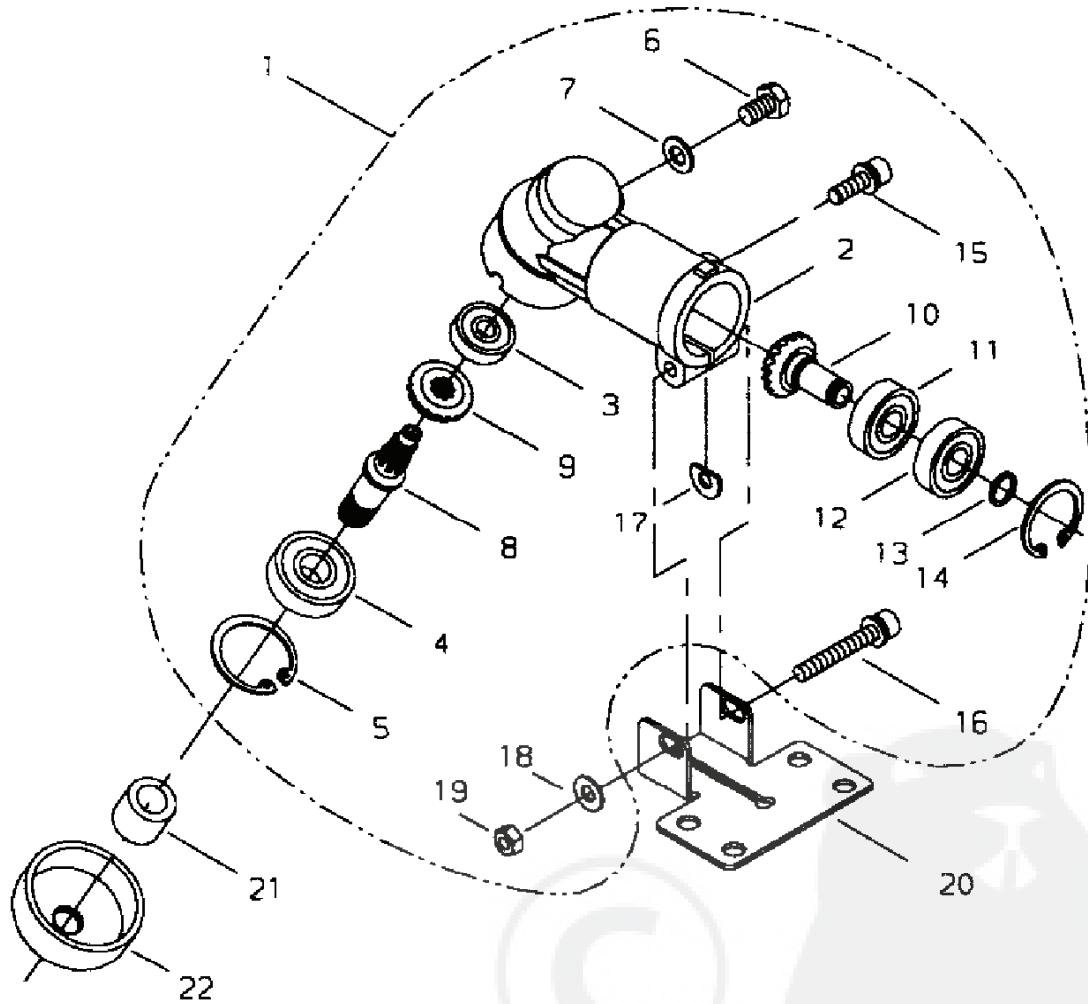
Ref. No	Part No.	Part Name	Q'ty
8-1	22554-12101	OUTER PIPE COMP	1
2	22553-12110	*OUTER PIPE	1
3	22410-12120	*BUSH	5
4	63901-62140	GRIP	1
5	22070-12410	MAIN SHAFT	1
6	22410-12210	HANGER	1
7	01020-05120	BOLT	1
8	01500-05041	NUT	1
9	65006-62310	PROTECTOR	1
10	63002-62161	THROTTLE LEVER ASSEMBLY	1
11	63002-62320	*BODY RIGHT	1
12	63002-62330	*BODY LEFT	1
13	63002-62340	*LEVER	1
14	63901-62352	*LOCK LEVER	1

Ref. No	Part No.	Part Name	Q'ty
15	63002-62350	*HOLDER	1
16	63880-65350	*COIL SPRING	1
17	63901-62370	*COIL SPRING	1
18	63002-62360	*SWITCH	1
19	63880-65360	*SCREW TAPPING	3
20	11206-05201	*SCREW PMSPW	1
21	01501-05030	*NUT	1
22	63880-65411	*PLUG	1
23	63002-62170	THROTTLE CABLE	1
24	01501-06041	NUT	2
25	22422-14540	TUBE	1
26	19402-00223	LABEL CAUTION	1
27	19422-00010	LABEL CAUTION	1
28	19404-00035	LABEL DECIBEL	1
29	72017-12150	HANDLE LABEL	1

* Denotes item is part of an assembly ** Denotes item is part of a sub-assembly

GEAR CASE

ILLUSTRATION 9 - REV 10/04

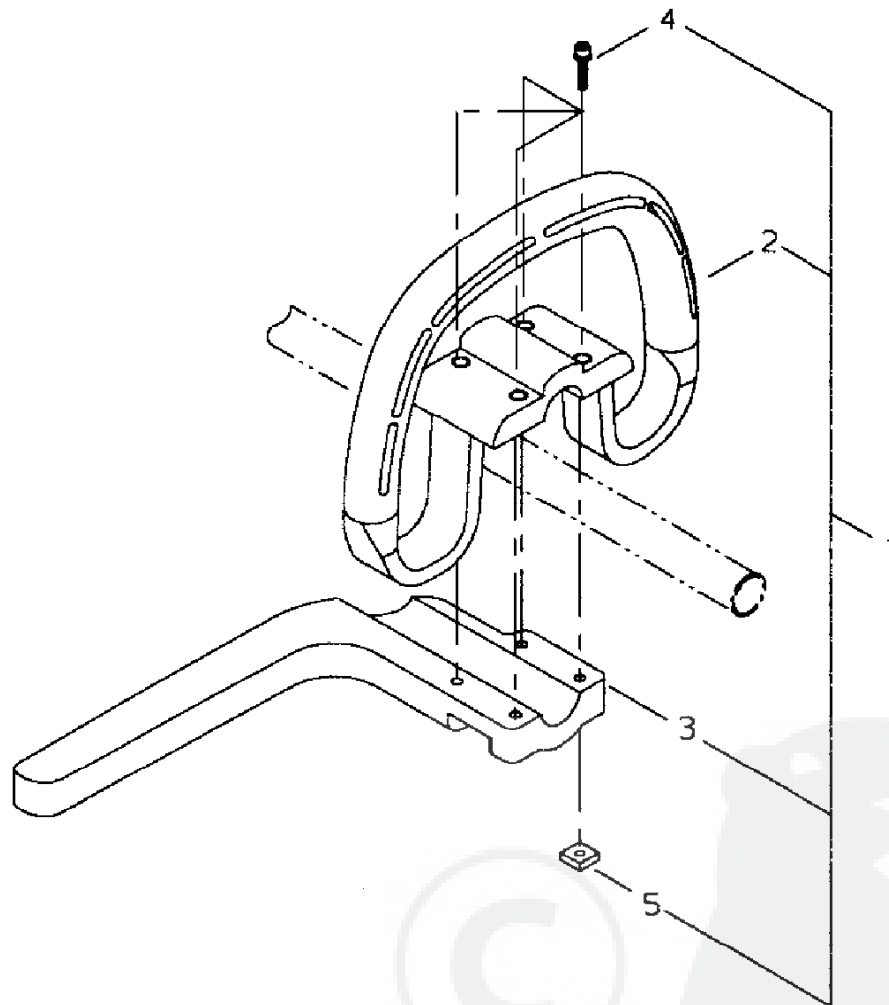


Ref. No	Part No.	Part Name	Q'ty
9- 1	67007-63021	GEAR CASE SUB ASSEMBLY	1
2	22035-13113	*GEAR CASE	1
3	02000-00626	*BEARING	1
4	37004-63310	*BEARING	1
5	02432-26120	*SNAP RING	1
6	01014-06100	*BOLT	1
7	22000-13410	*GASKET	1
8	22410-13210	*GEARSHAFT	1
9	22035-13220	*BEVEL GEAR	1
10	22035-13391	*PINION SET	1
11	02000-00608	*BEARING	1

Ref. No	Part No.	Part Name	Q'ty
12	02002-00608	*BEARING	1
13	22035-13340	*SNAP RING	1
14	02432-22100	*SNAP RING	1
15	11022-05160	*BOLT SPW	1
16	11022-05350	*BOLT SPW	1
17	22000-13420	*SHIM	1
18	01613-05080	*WASHER	1
19	01500-05041	*NUT	1
20	72480-16130	LOWER CLAMP	1
21	72432-13230	COLLAR	1
22	72432-13240	HOLDER	1

HANDLE

ILLUSTRATION 10 - REV 10/04

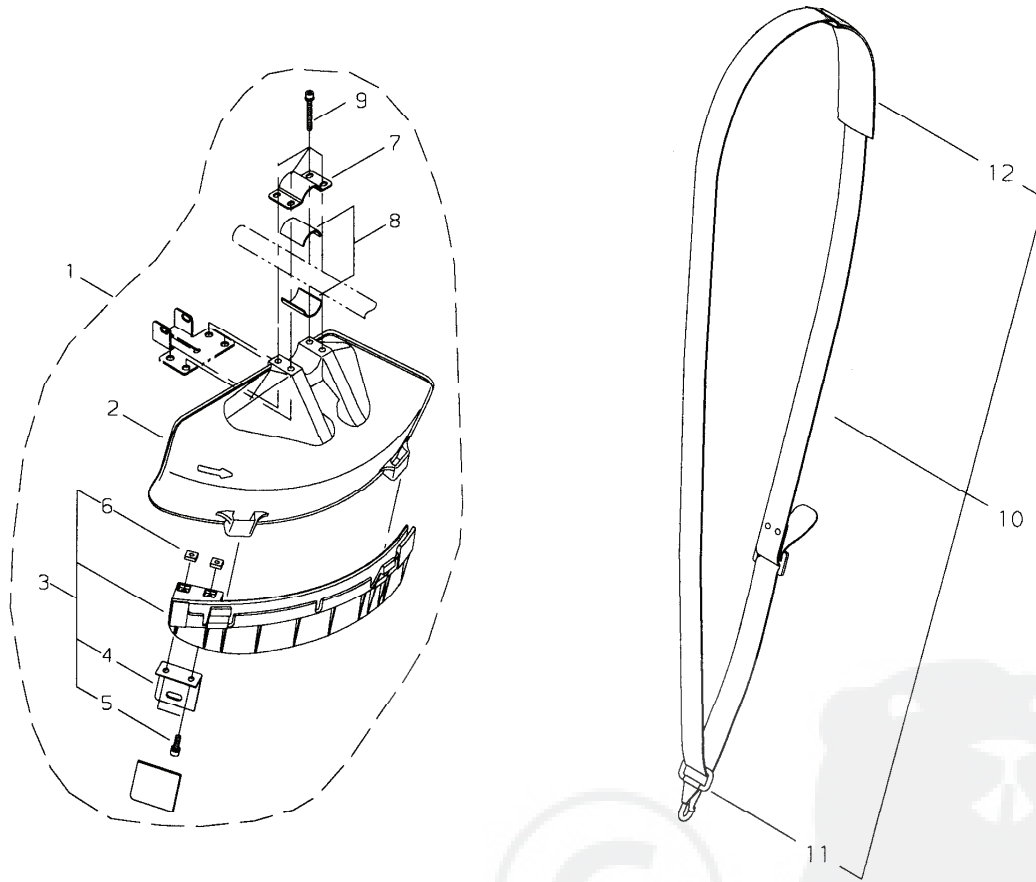


Ref. No	Part No.	Part Name	Q'ty
10- 1	62002-64011	HANDLE	1
2	62901-64322	*HANDLE	1
3	65011-64120	*BARRIER	1
4	11022-05350	*BOLT SPW	4
5	22420-16120	*NUT	4

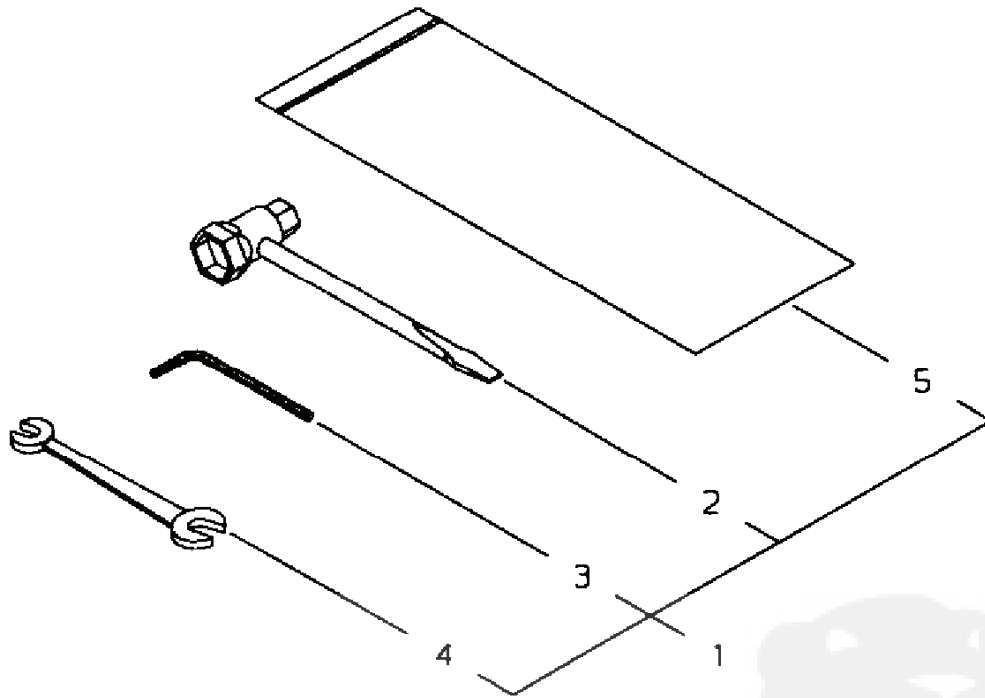
* Denotes item is part of an assembly ** Denotes item is part of a sub-assembly

GUARD SET / STRAP ASSEMBLY

ILLUSTRATION 11 - REV 10/04



Ref. No	Part No.	Part Name	Q'ty
11- 1	62903-66321	GUARD SET	1
2	62903-66110	*GUARD	1
3	62903-66331	*SUB GUARD ASSEMBLY	1
4	72480-16121	**CUTTER	1
5	11020-05160	**BOLT SW	2
6	22420-16120	**NUT	2
7	72480-16210	*UPPER CLAMP	1
8	72480-16220	*SPACER	2
9	11022-05450	*BOLT SPW	4
10	22410-17202	STRAP ASSEMBLY	1
11	37013-67310	*HOOK	1
12	22007-17220	*PROTECTOR	1



Ref. No	Part No.	Part Name	Q'ty
12- 1	22410-91000	TOOLSET	1
2	22000-91181	*PLUG WRENCH	1
3	09026-04001	*HEX WRENCH	1
4	22000-91120	*SPANNER	1
5	19639-01400	*TOOLBAG	1

* Denotes item is part of an assembly ** Denotes item is part of a sub-assembly



shindaiwa

www.shindaiwa.com

11975 SW Herman Road, Tualatin, Oregon 97062, U.S.A.

1 + 503.692.3070 • fax 1 + 503.692.6696 •

Item #xxxx Effective 10/04