

Shindaiwa Illustrated Parts List

T2510 EC1 Trimmer

CYLINDER / MUFFLER	2
FAN COVER ASSEMBLY	3
PISTON / CRANKSHAFT / CAM GEAR / CLUTCH	4
ROTOR / COIL ASSEMBLY	5
RECOIL STARTER	6
CARBURETOR	7
FUEL TANK	8
OUTER PIPE / THROTTLE LEVER	9
GEARCASE	10
HANDLE ASSEMBLY	11
GUARD SET / STRAP ASSEMBLY	12
STABILIZER / SAWS / TRIMMER HEAD	13
BLADE COVER	14
TOOL SET	14

www.shindaiwa.com

11975 SW Herman Road

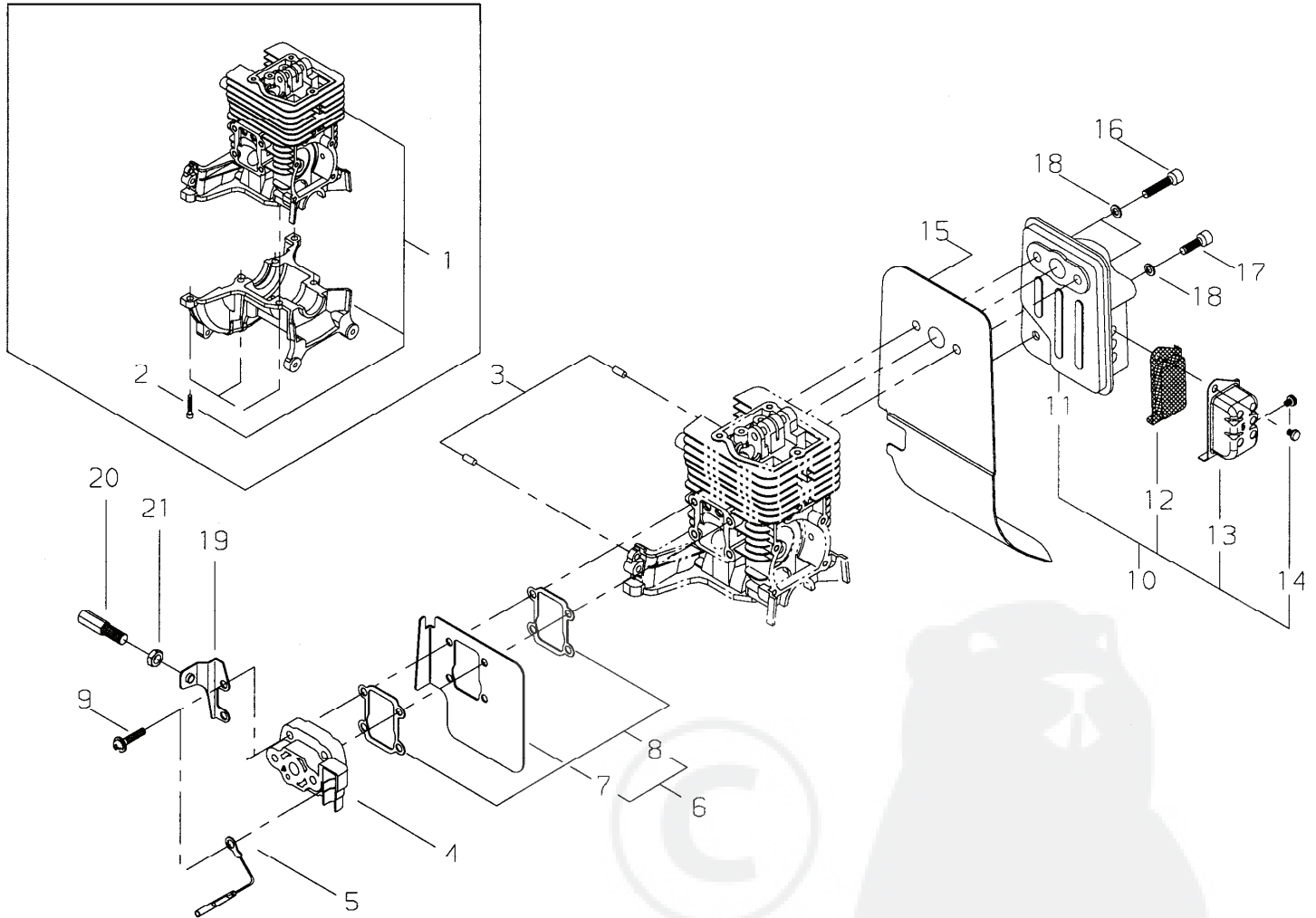
Tualatin, Oregon 97062, U.S.A.

1 + 503.692.3070 • fax 1 + 503.692.6696 •

shindaiwa

CYLINDER / MUFFLER

ILLUSTRATION 1 - REV 5/05

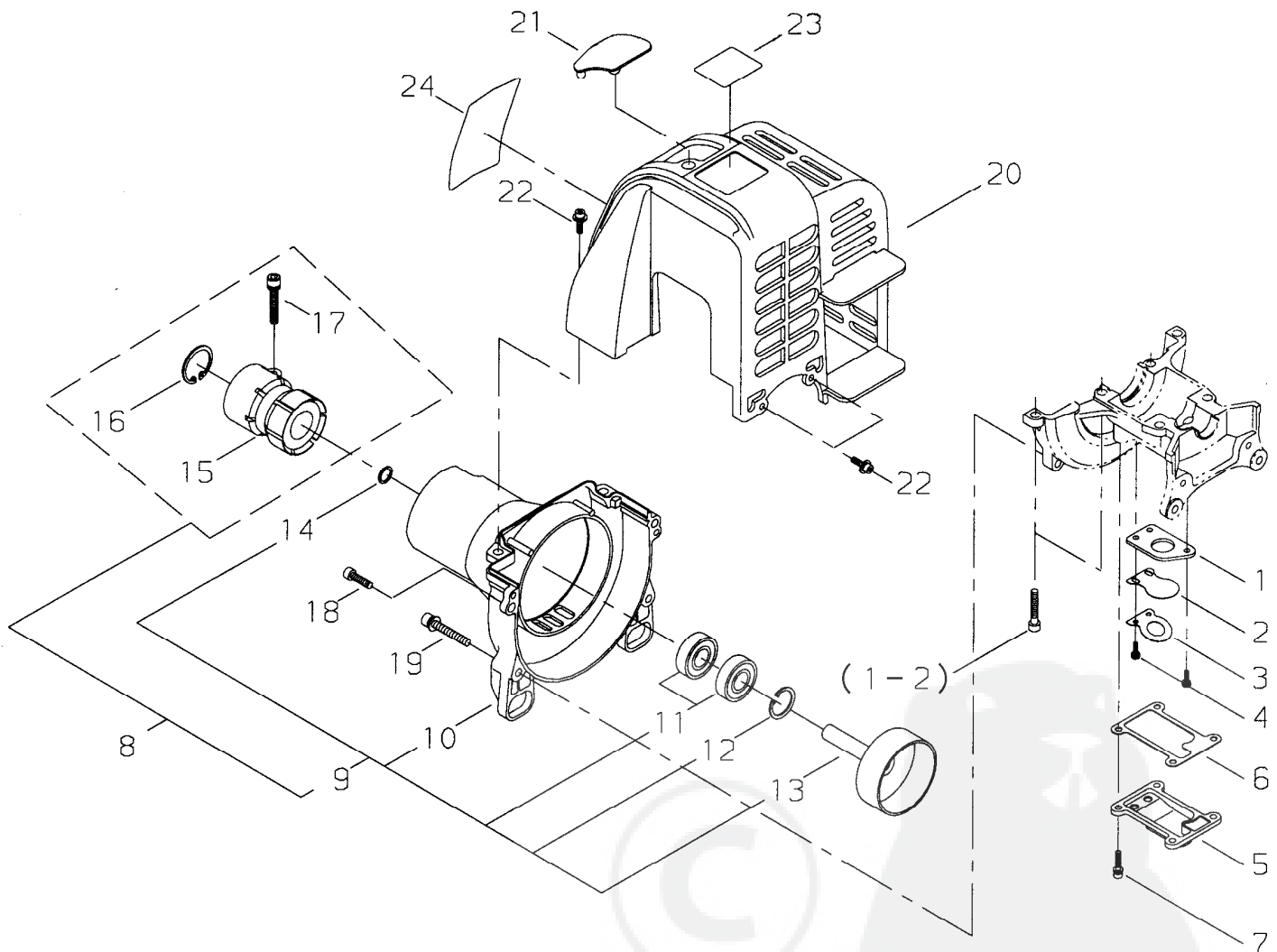


Ref. No	Part No.	Part Name	Q'ty
1-1	60908-98330	CYLINDER BLOCKSET	1
2	01020-05160	*BOLT	6
3	12492-40080	ROLLER	2
4	62902-12310	REED VALVE	1
5	14350-01101	LEAD WIRE	1
6	62902-12320	DEFLECTOR HEAT COMP	1
7	62901-12320	*DEFLECTOR HEAT	1
8	62901-12220	*GASKET	2
9	11206-05225	SCREW PMSPW	4
10	62907-15011	MUFFLER ASSEMBLY	1

Ref. No	Part No.	Part Name	Q'ty
11	62907-15111	*MUFFLER	1
12	62902-15131	*SCREEN	1
13	62907-15161	*TAIL PLATE	1
14	11204-04060	*SCREW PM	2
15	62901-15210	GASKET MUFFLER	1
16	62901-15310	BOLT	2
17	01020-05160	BOLT	1
18	01610-05080	WASHER	3
19	62901-83310	BRACKET THROTTLE CABLE	1
20	62902-83310	CABLE ADJUSTER	1
21	01501-06048	NUT	1

FAN COVER ASSEMBLY

ILLUSTRATION 2 - REV 5/05



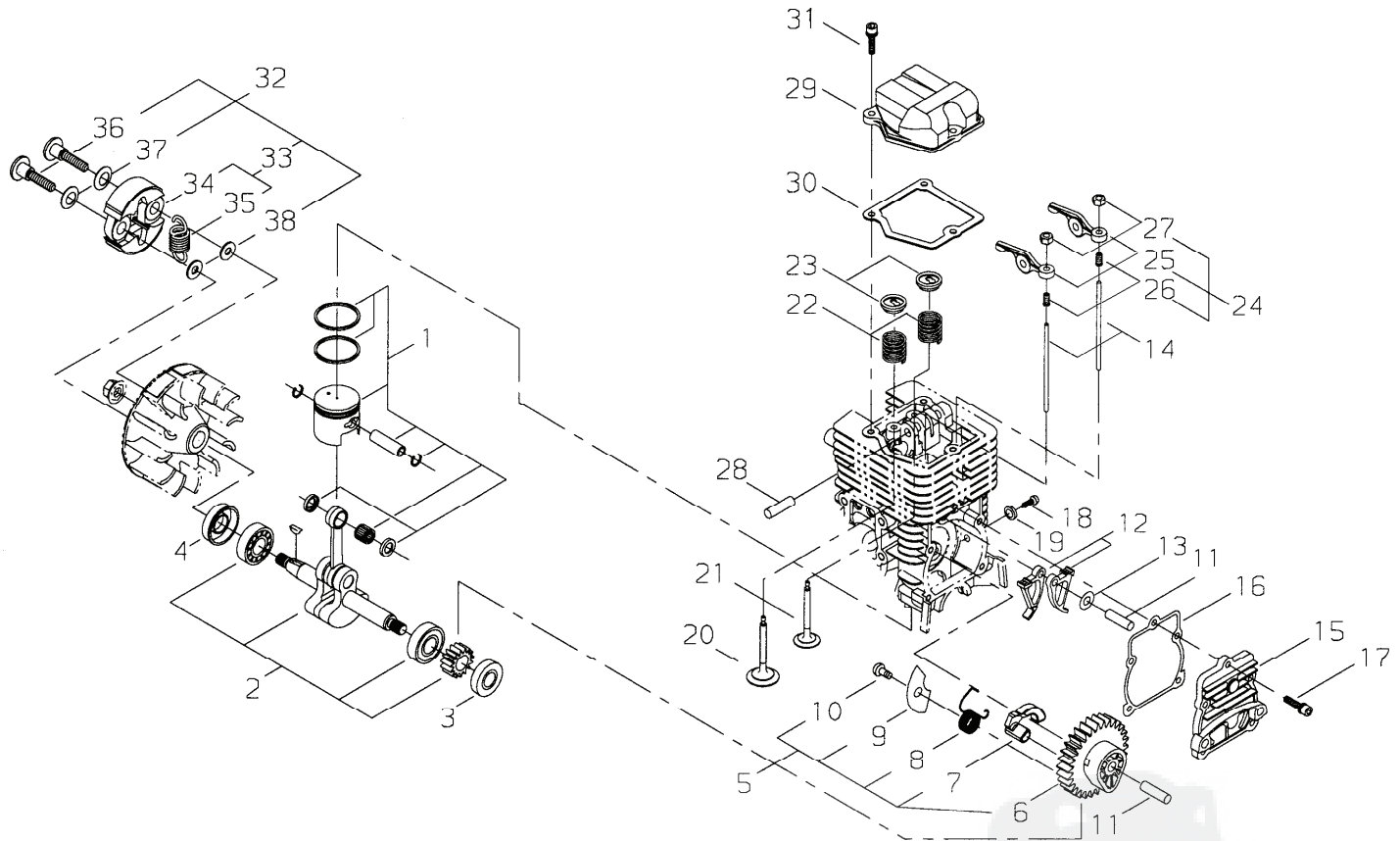
Ref. No	Part No.	Part Name	Q'ty
2-1	62901-21320	INSULATOR	1
2	72320-83121	VALVE	1
3	72320-83132	STOPPER	1
4	01211-03100	SCREW SW	3
5	62901-21120	COVER	1
6	62901-21130	GASKET	1
7	11022-04120	BOLT SW	4
8	60902-98021	FAN COVER ASSEMBLY	1
9	62901-31011	*FAN COVER COMP	1
10	62901-31111	**FAN COVER	1
11	02002-06000	**BEARING	2
12	02432-26120	**SNAP RING	1

Ref. No	Part No.	Part Name	Q'ty
13	20087-31211	**CLUTCH DRUM	1
14	22000-13320	*SNAP RING	1
15	20087-31411	*JOINT	1
16	02432-40170	*SNAP RING	1
17	11020-05220	*BOLT SW	1
18	01020-05160	BOLT	2
19	11022-05450	BOLT SPW	2
20	62901-32111	CYLINDER COVER	1
21	62901-32312	GROMMET	1
22	11024-04160	BOLT SLPW	4
23	62910-91320	LABEL TRADE	1
24	19420-00071	LABEL TRADE	1

* Denotes item is part of an assembly ** Denotes item is part of a sub-assembly

PISTON / CRANKSHAFT / CAM GEAR / CLUTCH

ILLUSTRATION 3 - REV 5/05

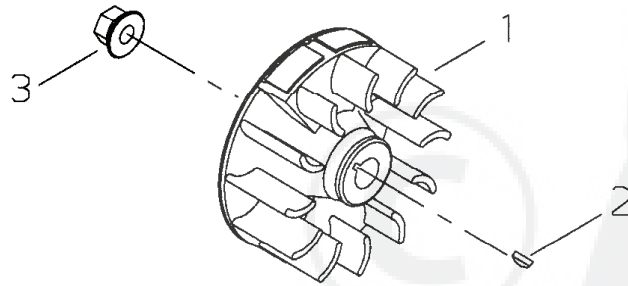
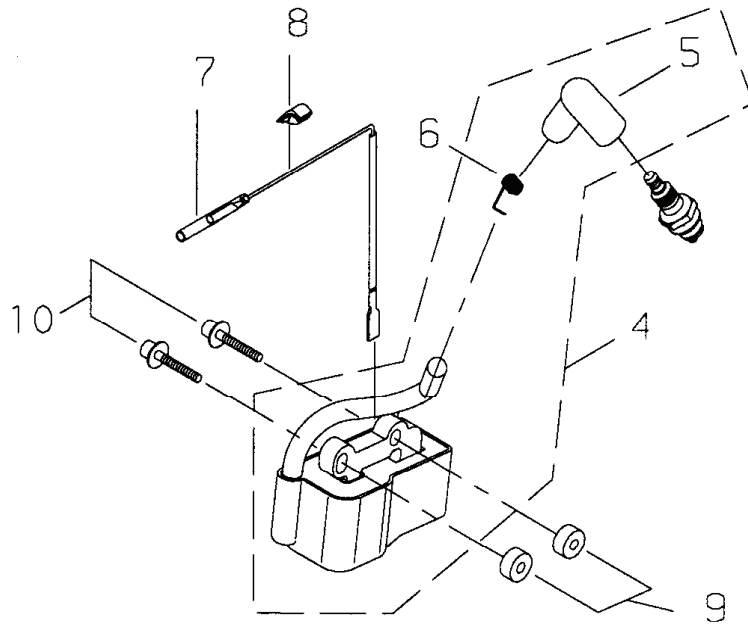


Ref. No	Part No.	Part Name	Q'ty
3-1	62902-41310	PISTON SET	1
2	62902-42020	CRANKSHAFT COMP	1
3	62901-42260	OIL SEAL	1
4	62901-42270	OIL SEAL	1
5	62905-43010	CAM GEAR ASSEMBLY	1
6	62902-43310	*CAM GEAR	1
7	62907-43120	*WEIGHT	1
8	17520-08900	*COIL SPRING	1
9	62905-43130	*PLATE	1
10	01280-04062	*SCREW TAPPING	1
11	12492-50290	ROLLER	2
12	62907-43210	LIFTER	2
13	11620-10000	WASHER	1
14	62908-43220	PUSHROD	2
15	62901-43330	CAM GEAR COVER	1
16	62901-43240	GASKET	1
17	11022-04140	BOLT SPW	5
18	62901-43310	SCREW	1
19	15401-10028	COLLAR	1

Ref. No	Part No.	Part Name	Q'ty
20	62902-44110	INTAKE VALVE	1
21	62902-44120	EXHAUST VALVE	1
22	62901-44130	VALVE SPRING	2
23	62901-44140	RETAINER	2
24	62907-44010	ROCKER ARM ASSEMBLY	2
25	62901-44210	*ROCKER ARM	1
26	62907-44220	*ADJUST SCREW	1
27	62901-44231	*NUT	1
28	12492-50310	ROLLER	1
29	62901-44241	ROCKER ARM COVER	1
30	62901-44250	GASKET	1
31	11022-04120	BOLT SW	3
32	62901-51011	CLUTCH SET	1
33	62901-51021	*CLUTCH SHOE ASSEMBLY	1
34	70140-51113	**CLUTCH SHOE	2
35	70140-51220	**CLUTCH SPRING	1
36	20087-51210	*BOLT	2
37	20087-51231	*SPRING PLATE	2
38	22100-71430	*WASHER	2

ROTOR / COIL ASSEMBLY

ILLUSTRATION 4 - REV 5/05

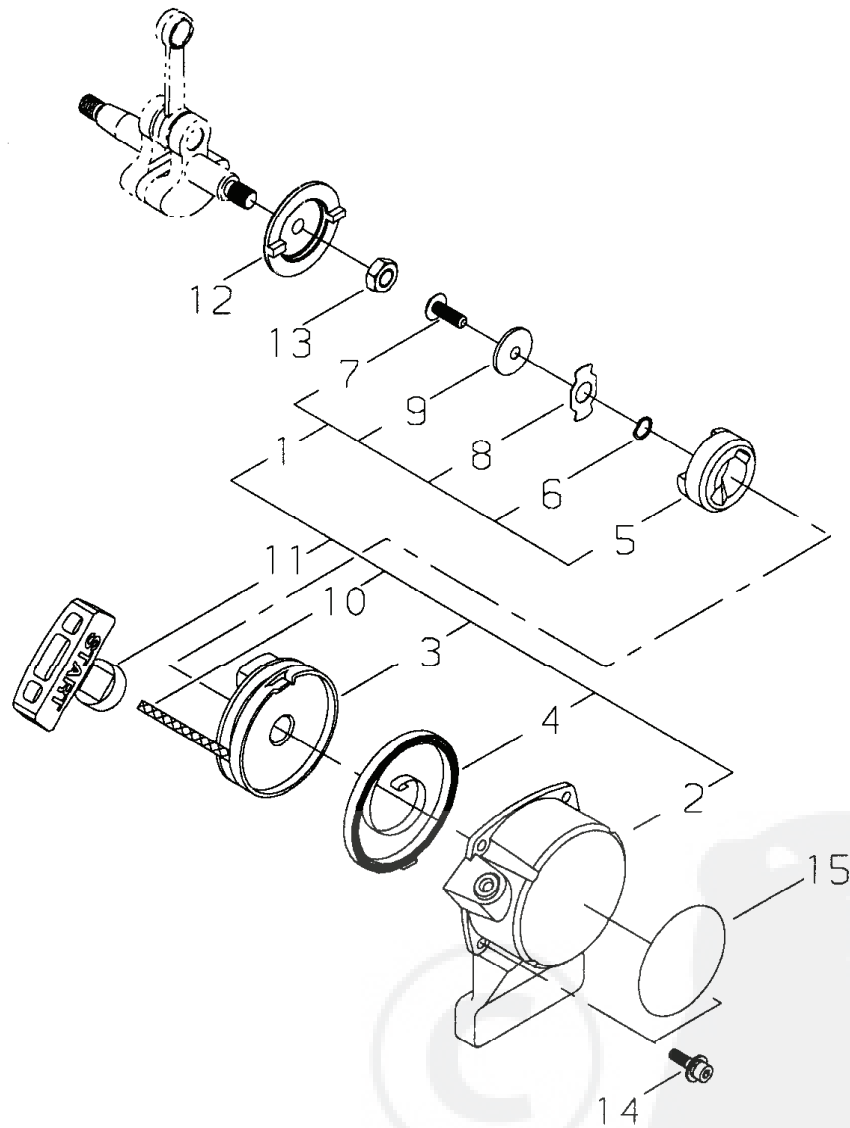


Ref. No	Part No.	Part Name	Q'ty
4-1	62905-71110	ROTOR	1
2	02403-03100	KEY	1
3	20035-71220	NUT	1
4	62905-71310	COIL ASSEMBLY	1
5	62905-71250	*PLUG CAP	1
6	62905-71320	*SPRING PLUG	1
7	14350-02001	LEAD WIRE	1
8	62901-71310	GROMMET	1
9	70030-71620	INSULATOR	2
10	11024-04265	BOLT SW	2

* Denotes item is part of an assembly ** Denotes item is part of a sub-assembly

RECOIL STARTER

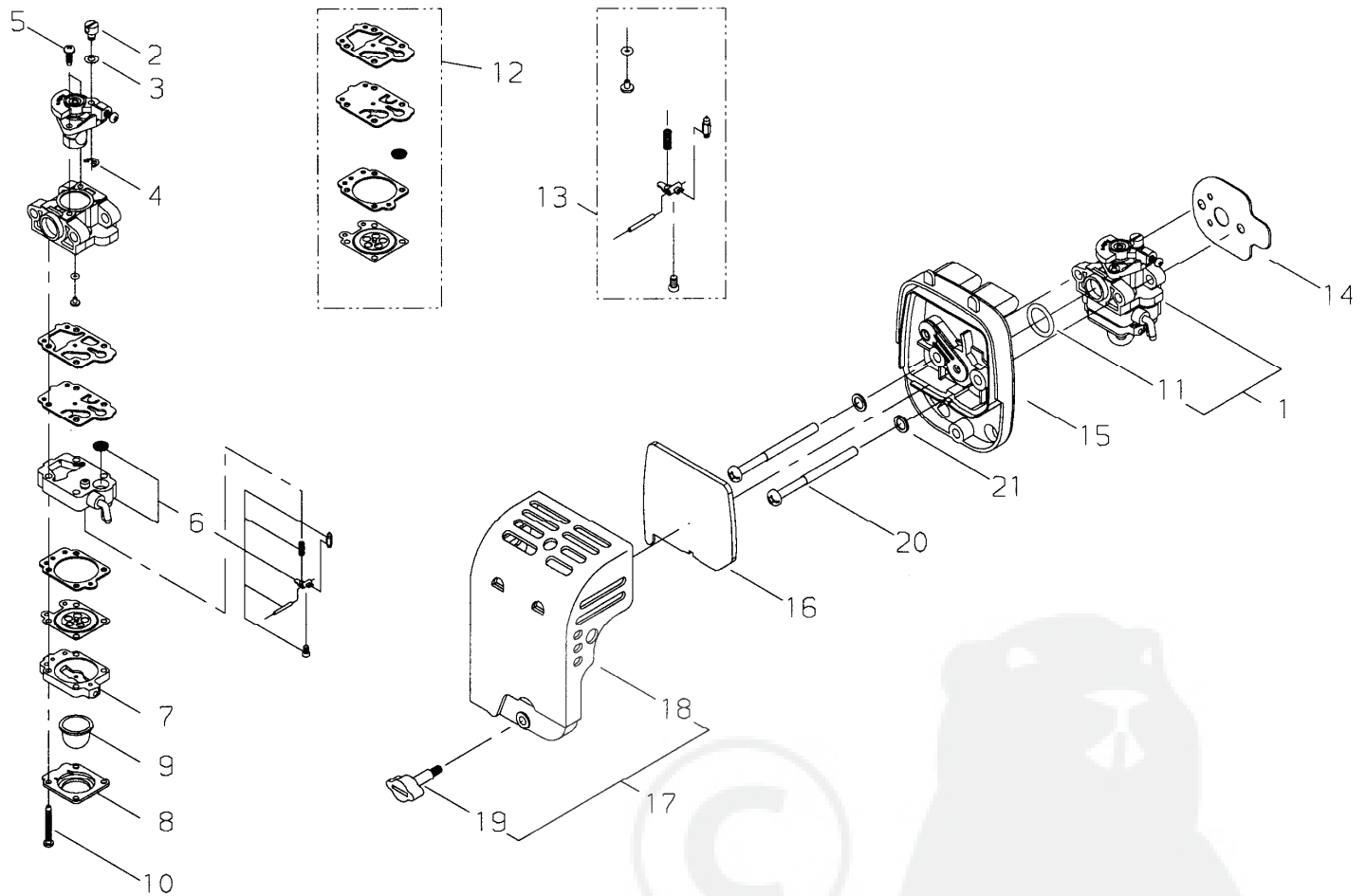
ILLUSTRATION 5 - REV 5/05



Ref. No	Part No.	Part Name	Q'ty
5-1	62901-75012	RECOIL STARTER ASSEMBLY	1
2	62901-75111	*STARTER CASE	1
3	62901-75120	*REEL	1
4	70064-75130	*RECOIL SPRING	1
5	62901-75310	*DOG	1
6	70064-75150	*WAVE WASHER	1
7	72933-75160	*SCREW	1
8	72933-75170	*RETAINER	1
9	72933-75180	*WASHER	1
10	32004-75140	*ROPE	1
11	32004-75150	*KNOB	1
12	70064-75310	STARTER PULLEY	1
13	01511-08051	NUT	1
14	11024-04160	BOLT SLPW	2
15	19420-00070	LABEL TRADE	1

CARBURETOR

ILLUSTRATION 6 - REV 5/05



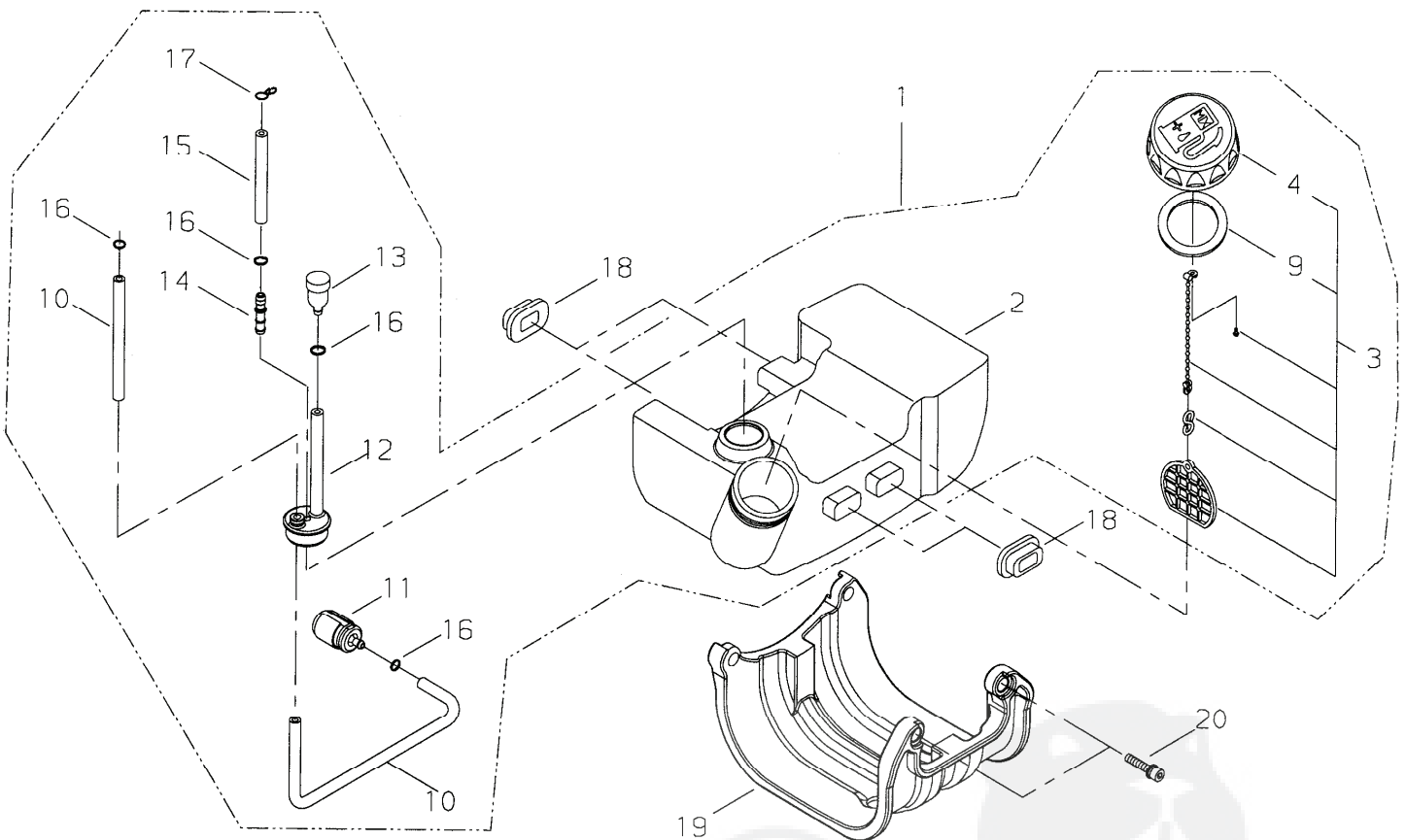
Ref. No	Part No.	Part Name	Q'ty
6-1	62908-81011	CARBURETOR ASSEMBLY	1
2	72933-81450	*SWIVEL	1
3	20089-81185	*WASHER	1
4	20036-81195	*E-RING	1
5	70064-81290	*SCREW	2
6	37013-81350	*PUMP BODY ASSEMBLY	1
7	20016-81420	*PUMP BASE COMP	1
8	20016-81510	*PUMP COVER	1
9	20036-81670	*PRIMER PUMP	1
10	20016-81140	*SCREW	4
11	20016-81250	*O-RING	1

Ref. No	Part No.	Part Name	Q'ty
12	60902-98030	*GASKET SET	1
13	60908-98360	*VALVE SET	1
14	62901-81211	GASKET	1
15	62905-82010	AIR FILTER BASE ASSEMBLY	1
16	62902-82120	FILTER	1
17	62902-82030	CLEANER COVER ASSEMBLY	1
18	62901-82131	*CLEANER COVER	1
19	62901-82330	*KNOB AIR FILTER COVER	1
20	11203-05605	SCREW PMSW	2
21	01613-05080	WASHER	2

* Denotes item is part of an assembly ** Denotes item is part of a sub-assembly

FUEL TANK

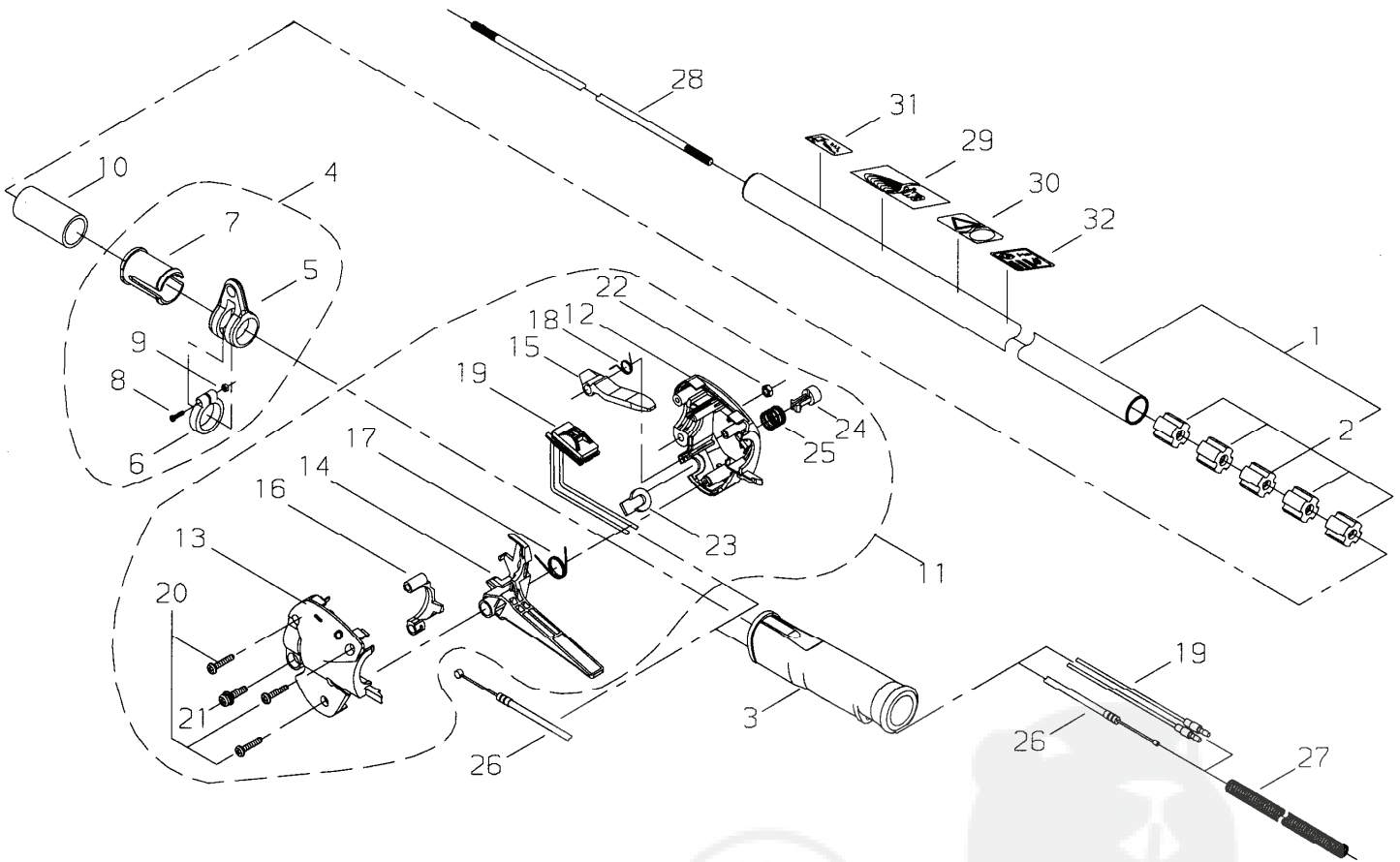
ILLUSTRATION 7 - REV 5/05



Ref. No	Part No.	Part Name	Q'ty
7-1	62903-85310	FUEL TANK ASSEMBLY	1
2	62901-85110	*FUEL TANK	1
3	70168-85201	*FUEL CAP ASSEMBLY	1
4	70168-85210	**FUEL CAP	1
9	20000-85221	**GASKET	1
10	62901-85310	*FUEL PIPE	1
11	20016-85400	*FUEL FILTER	1
12	20144-85350	*GROMMET	1
13	22197-33960	*VALVE	1
14	72933-85620	*JOINT	1
15	20112-85360	*PIPE	1
16	20020-85540	*CLIP	4
17	37013-85310	*CLIP	1
18	62901-85220	TANK CUSHION	4
19	62902-85320	TANK GUARD	1
20	11022-05200	BOLT SPW	2

OUTER PIPE / THROTTLE LEVER

ILLUSTRATION 8 - REV 5/05



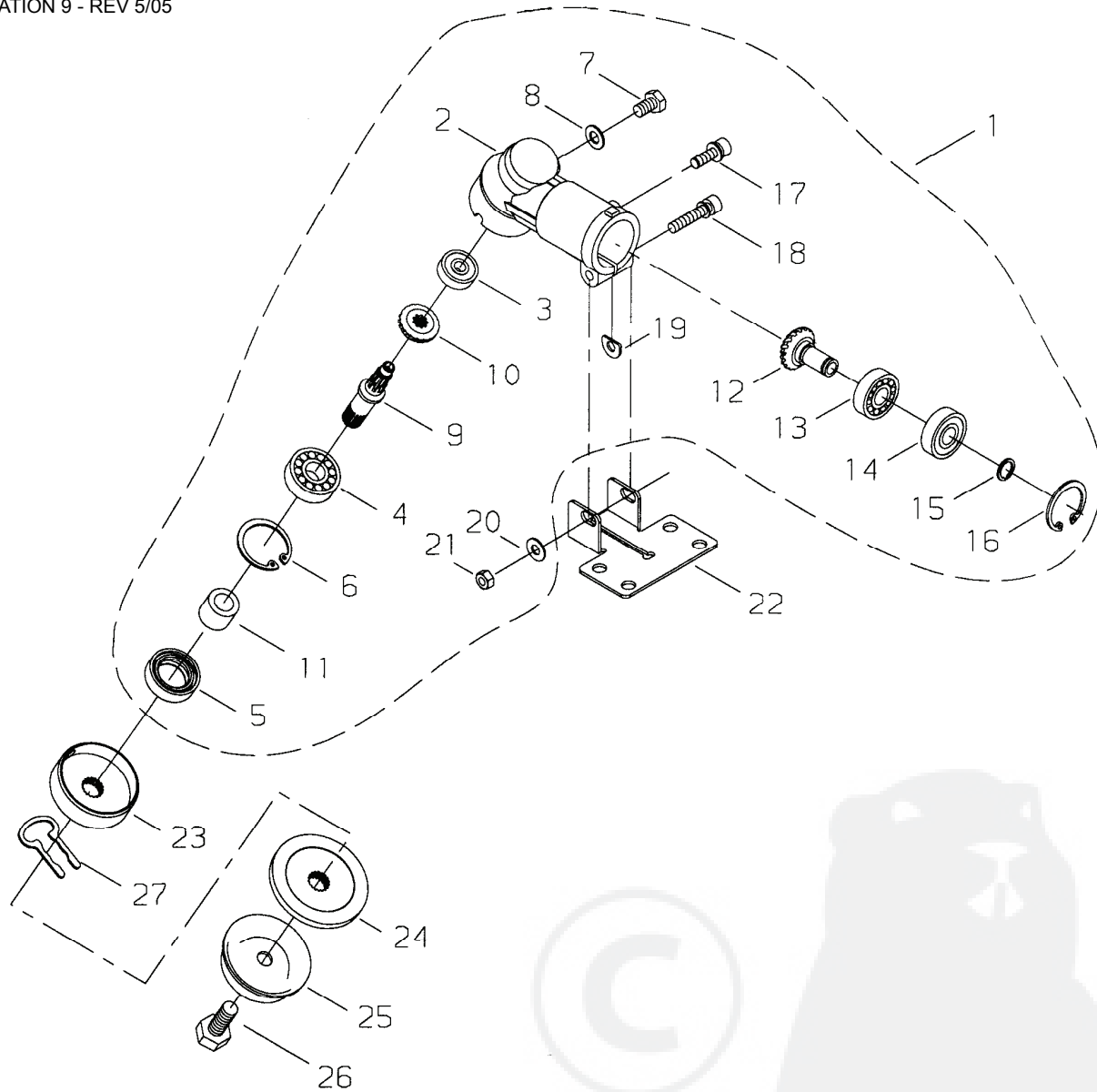
Ref. No	Part No.	Part Name	Q'ty
8-1	63901-62010	OUTER PIPE COMP	1
2	22035-12120	*BUSH	5
3	63901-62140	GRIP	1
4	33008-62340	HANGER ASSEMBLY	1
5	33008-62151	*HANGER	1
6	33008-62311	*CLAMP	1
7	33008-62321	*COLLAR	1
8	11203-04160	*SCREW PM	1
9	01500-04031	*NUT	1
10	65006-62310	PROTECTOR	1
11	63904-62020	THROTTLE LEVER ASSEMBLY	1
12	72549-62320	*BODY RIGHT	1
13	63002-62330	*BODY LEFT	1
14	63002-62340	*LEVER	1
15	63901-62352	*LOCK LEVER	1
16	63002-62350	*HOLDER	1

Ref. No	Part No.	Part Name	Q'ty
17	63880-65350	*COIL SPRING	1
18	63901-62370	*COIL SPRING	1
19	63901-62380	*SWITCH	1
20	63880-65360	*SCREW TAPPING	3
21	11206-05201	*SCREW PMSPW	1
22	01501-05030	*NUT	1
23	63880-65411	*PLUG	1
24	70871-65170	*BUTTON	1
25	70871-65180	*COIL SPRING	1
26	63901-62173	THROTTLE CABLE	1
27	63901-62440	TUBE	1
28	22070-12410	MAINSHAFT	1
29	19420-00084	LABEL TRADE	1
30	19402-00090	LABEL CAUTION	1
31	19402-00223	LABEL CAUTION	1
32	19404-00036	LABEL DECIBEL	1

* Denotes item is part of an assembly ** Denotes item is part of a sub-assembly

GEARCASE

ILLUSTRATION 9 - REV 5/05

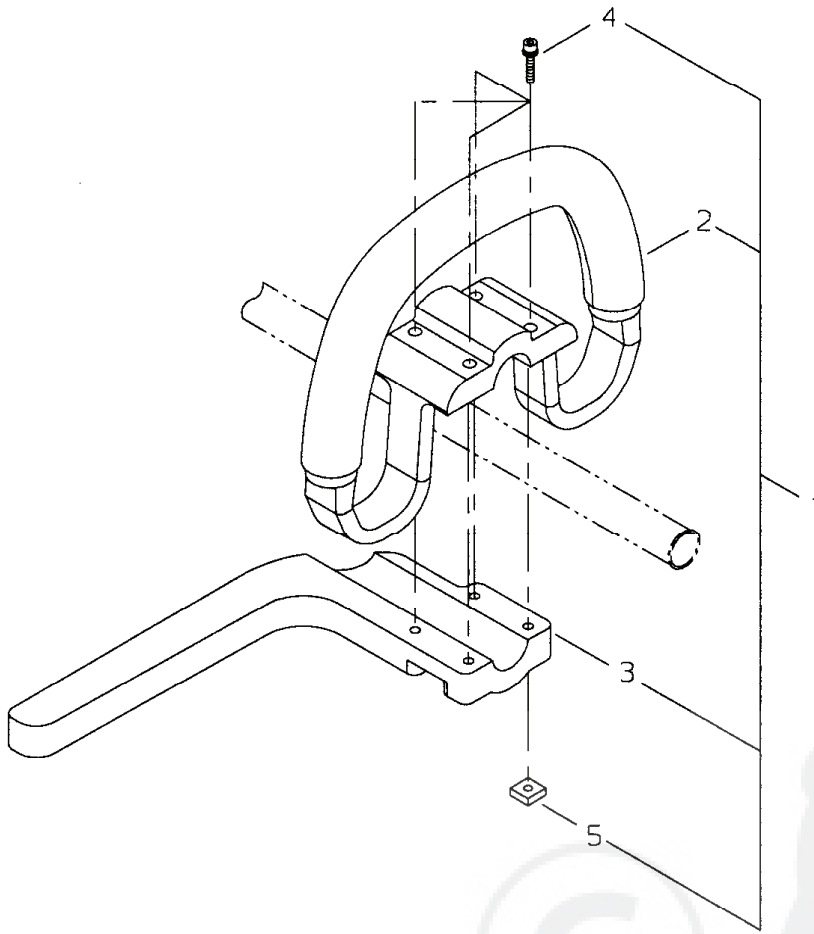


Ref. No	Part No.	Part Name	Q'ty
9-1	63901-63022	GEARCASE SUB ASSEMBLY	1
2	22035-13113	*GEARCASE	1
3	02006-00626	*BEARING	1
4	02000-06000	*BEARING	1
5	22035-13140	*OIL SEAL	1
6	02432-26120	*SNAP RING	1
7	01014-06100	*BOLT	1
8	22000-13410	*GASKET	1
9	22410-13210	*GEARSHAFT	1
10	22035-13220	*BEVEL GEAR	1
11	22035-13230	*COLLAR	1
12	22035-13391	*PINION SET	1
13	02000-00608	*BEARING	1

Ref. No	Part No.	Part Name	Q'ty
14	02002-00608	*BEARING	1
15	22035-13340	*SNAP RING	1
16	02432-22100	*SNAP RING	1
17	11022-05160	*BOLT SPW	1
18	11022-05350	*BOLT SPW	1
19	22000-13420	*SHIM	1
20	01613-05080	*WASHER	1
21	01500-05041	*NUT	1
22	72480-16130	LOWER CLAMP	1
23	22035-13242	HOLDER A	1
24	65011-63171	HOLDER	1
25	37013-63311	BOLT GUARD	1
26	22035-13271	BOLT	1
27	22410-13530	SLIDE CLIP	1

HANDLE ASSEMBLY

ILLUSTRATION 10 - REV 5/05

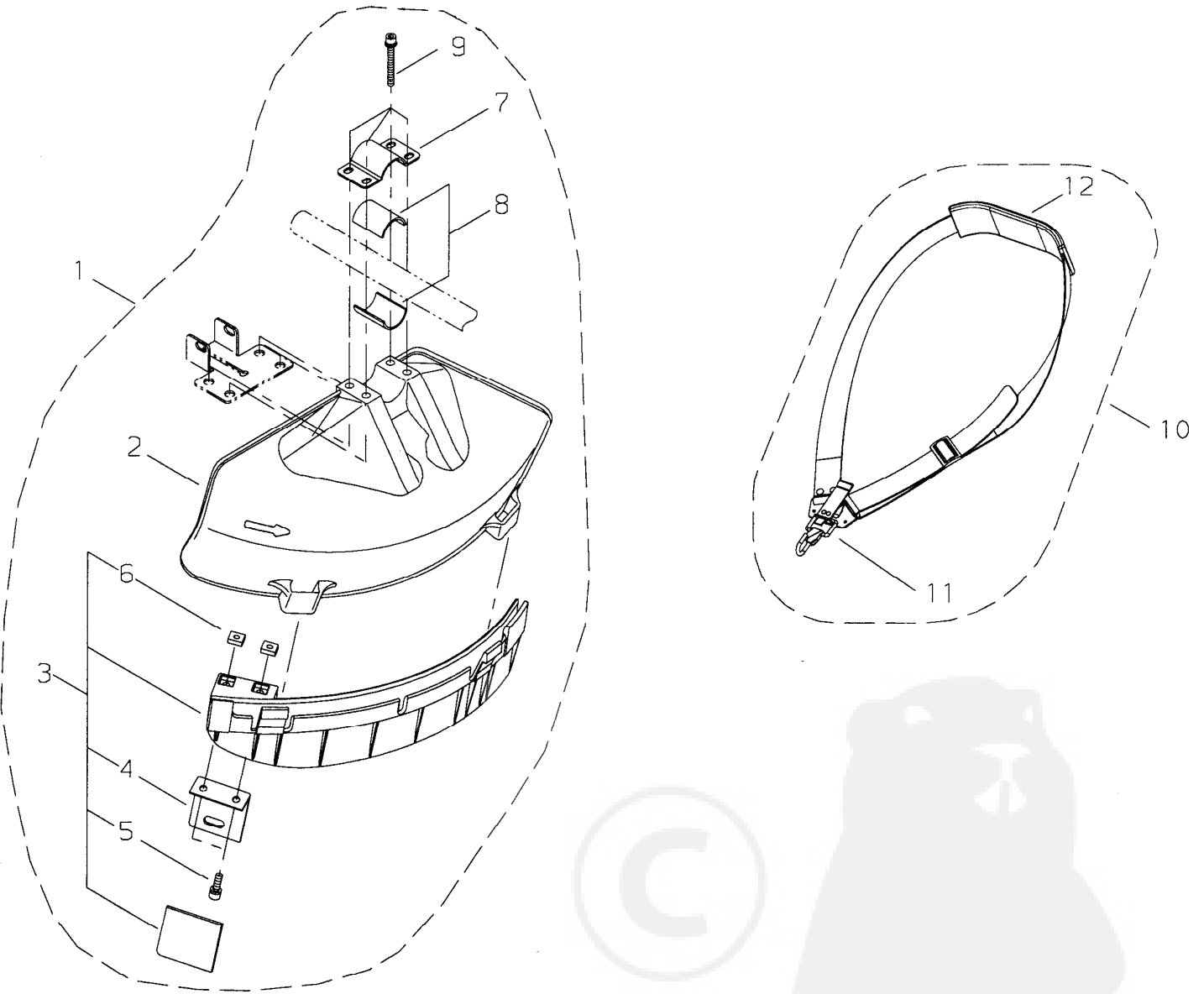


Ref. No	Part No.	Part Name	Q'ty
10- 1	60904-98310	HANDLE ASSEMBLY	1
2	62901-64113	*HANDLE	1
3	65011-64120	*BARRIER	1
4	11022-05350	*BOLT SPW	4
5	22420-16120	*NUT	4

* Denotes item is part of an assembly ** Denotes item is part of a sub-assembly

GUARD SET / STRAP ASSEMBLY

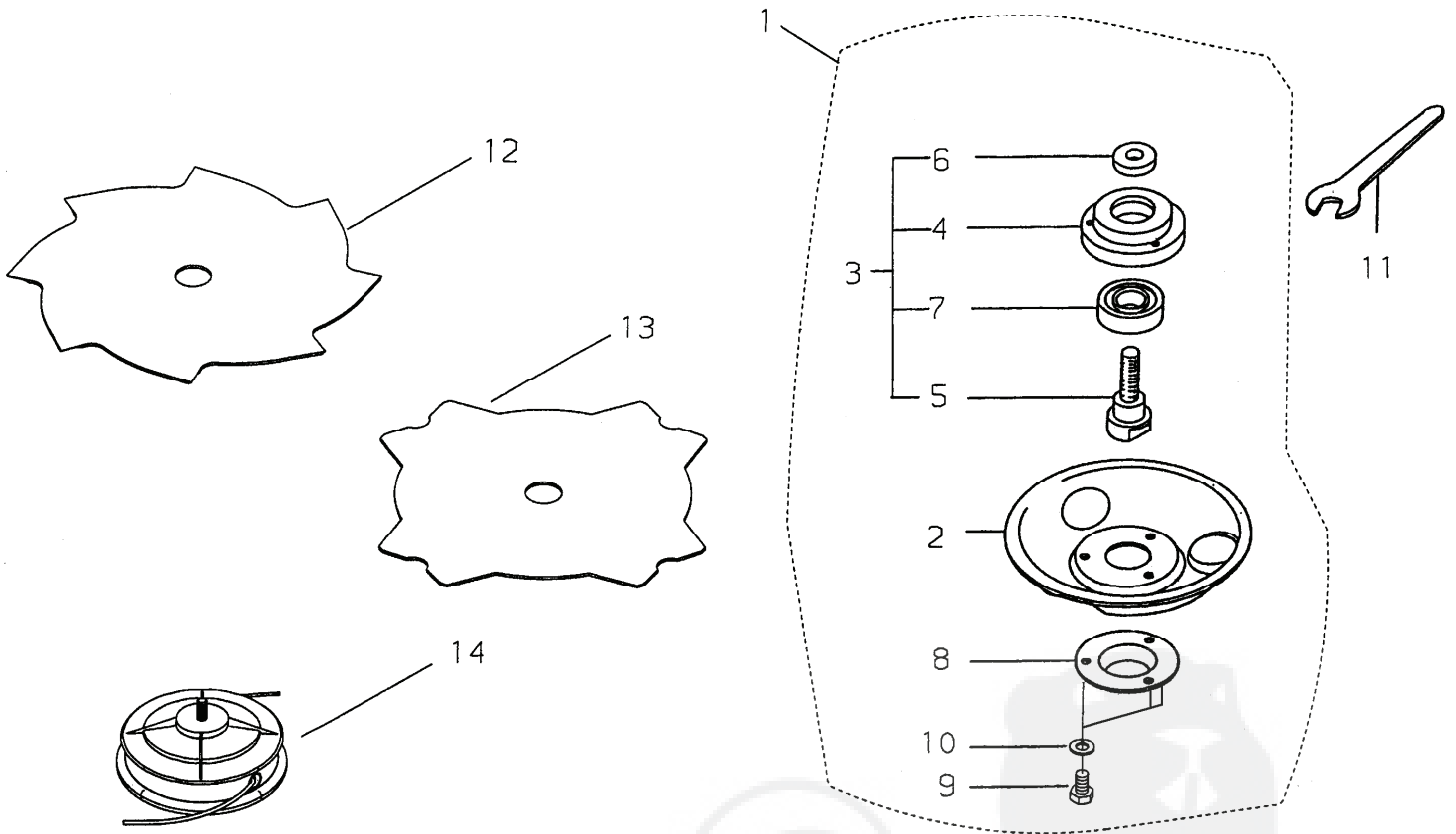
ILLUSTRATION 11 - REV 5/05



Ref. No	Part No.	Part Name	Q'ty
11- 1	62903-66321	GUARD SET	1
2	62903-66110	*GUARD	1
3	62903-66331	*SUB GUARD ASSEMBLY	1
4	72480-16121	**CUTTER	1
5	11020-05160	**BOLT SW	2
6	22420-16120	**NUT	2
7	72480-16210	*UPPER CLAMP	1
8	72480-16220	*SPACER	2
9	11022-05450	*BOLT SPW	4
10	22421-17202	STRAP ASSEMBLY	1
11	22421-17130	*HOOK	1
12	22007-17220	*PROTECTOR	1

STABILIZER / SAWS / TRIMMER HEAD

ILLUSTRATION 13 - REV 5/05

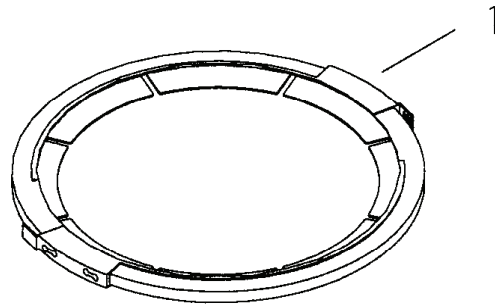


Ref. No	Part No.	Part Name	Q'ty
13- 1	22036-15300	STABILIZER ASSEMBLY	1
2	22013-15310	*STABILIZER	1
3	22036-15380	*HOLDER COMP	1
4	22013-15320	**HOLDER	1
5	22036-15331	**BEARING SHAFT	1
6	22013-15340	**WASHER	1
7	02002-06001	**BEARING	1
8	22013-15350	*SHAFT COVER	1
9	01010-05105	*BOLT	3
10	01600-05131	*SPRING WASHER	3
11	09011-13006	SPANNER	1
12	60903-98310	EDDY SAW	1
13	60903-98320	CROSS SAW	1
14	67000-65010	TRIMMER HEAD ASSEMBLY	1

* Denotes item is part of an assembly ** Denotes item is part of a sub-assembly

BLADE COVER

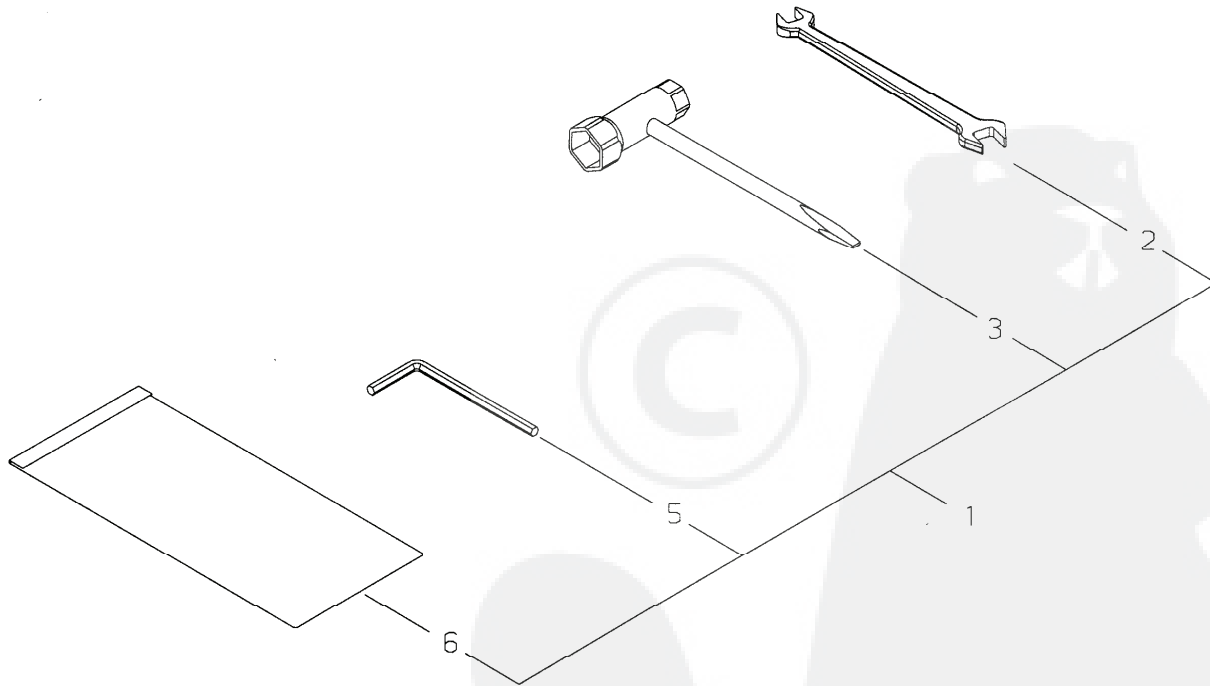
ILLUSTRATION 14 - REV 5/05



Ref. No	Part No.	Part Name	Q'ty
14- 1	22550-92310	BLADE COVER	1

TOOL SET

ILLUSTRATION 12 - REV 5/05



Ref. No	Part No.	Part Name	Q'ty
12- 1	62901-92010	TOOLSET	1
2	22000-91120	*SPANNER	1
3	22580-91180	*PLUG WRENCH	1
5	09026-04001	*HEX A WRENCH 5MM	1
6	19639-01400	*TOOLBAG	1





shindaiwa

www.shindaiwa.com

11975 SW Herman Road, Tualatin, Oregon 97062, U.S.A.

1 + 503.692.3070 • fax 1 + 503.692.6696 •

Item #xxxx Effective 05/05