

# Shindaiwa Illustrated Parts List

## T350 EC1 Trimmer

---

|   |       |
|---|-------|
| CYLINDER / MUFFLER .....  | 2     |
| CRANKCASE / FAN COVER /<br>CYLINDER COVER / MUFFLER COVER ..... | 3     |
| PISTON / CLUTCH SHOE / CRANKSHAFT .....                         | 4     |
| ROTOR .....   | 5     |
| CARBURETOR / CLEANER .....                                      | 6 - 7 |
| RECOIL STARTER / STARTER PULLEY .....                           | 8     |
| FUEL TANK .....   | 9     |
| OUTER PIPE / THROTTLE LEVER .....                               | 10    |
| GEARCASE .....  | 11    |
| HANDLE ASSEMBLY .....   | 12    |
| GUARD SET / STRAP ASSEMBLY .....                                | 12    |
| BLADE COVER .....   | 13    |
| TOOL SET .....  | 13    |

[www.shindaiwa.com](http://www.shindaiwa.com)

11975 SW Herman Road

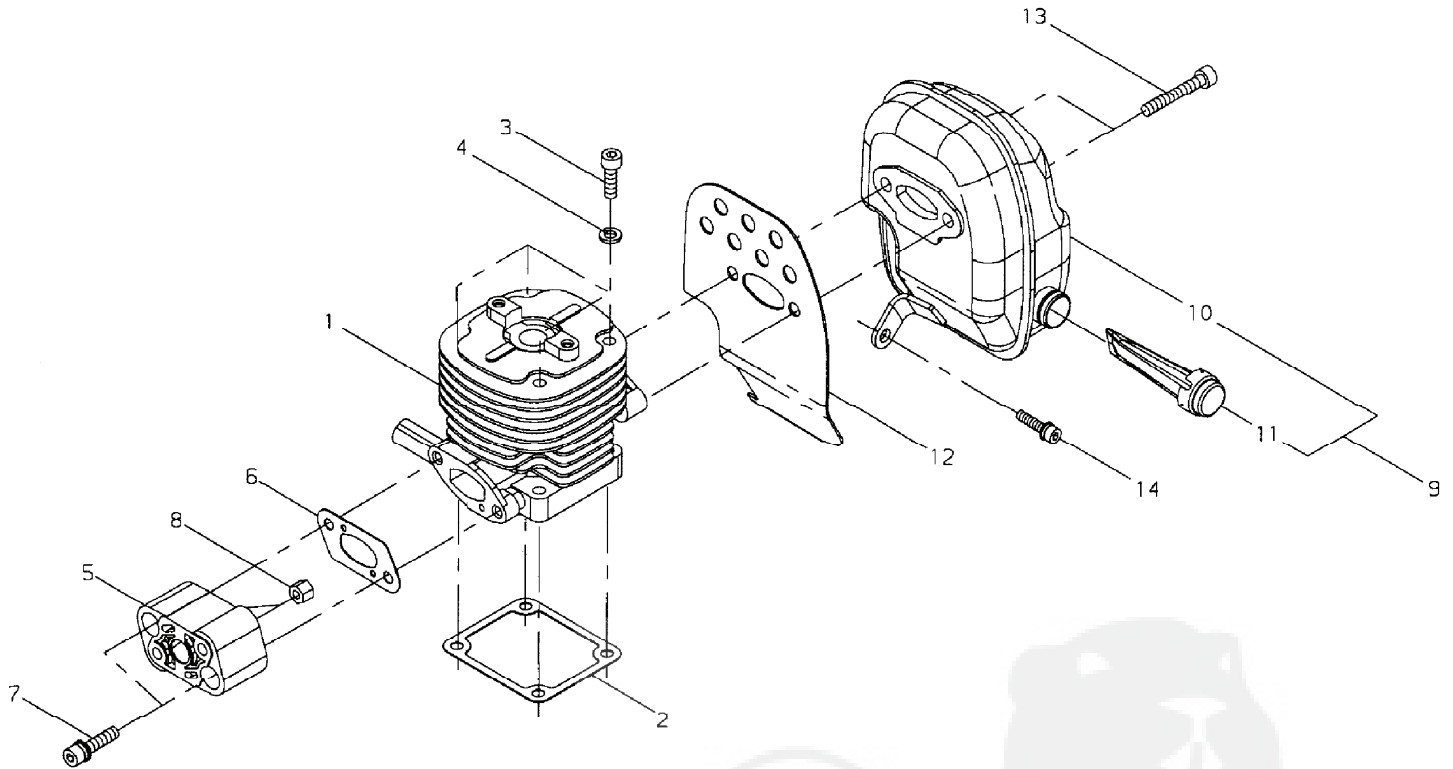
Tualatin, Oregon 97062, U.S.A.

1 + 503.692.3070 • fax 1 + 503.692.6696 •

**shindaiwa**

## CYLINDER / MUFFLER

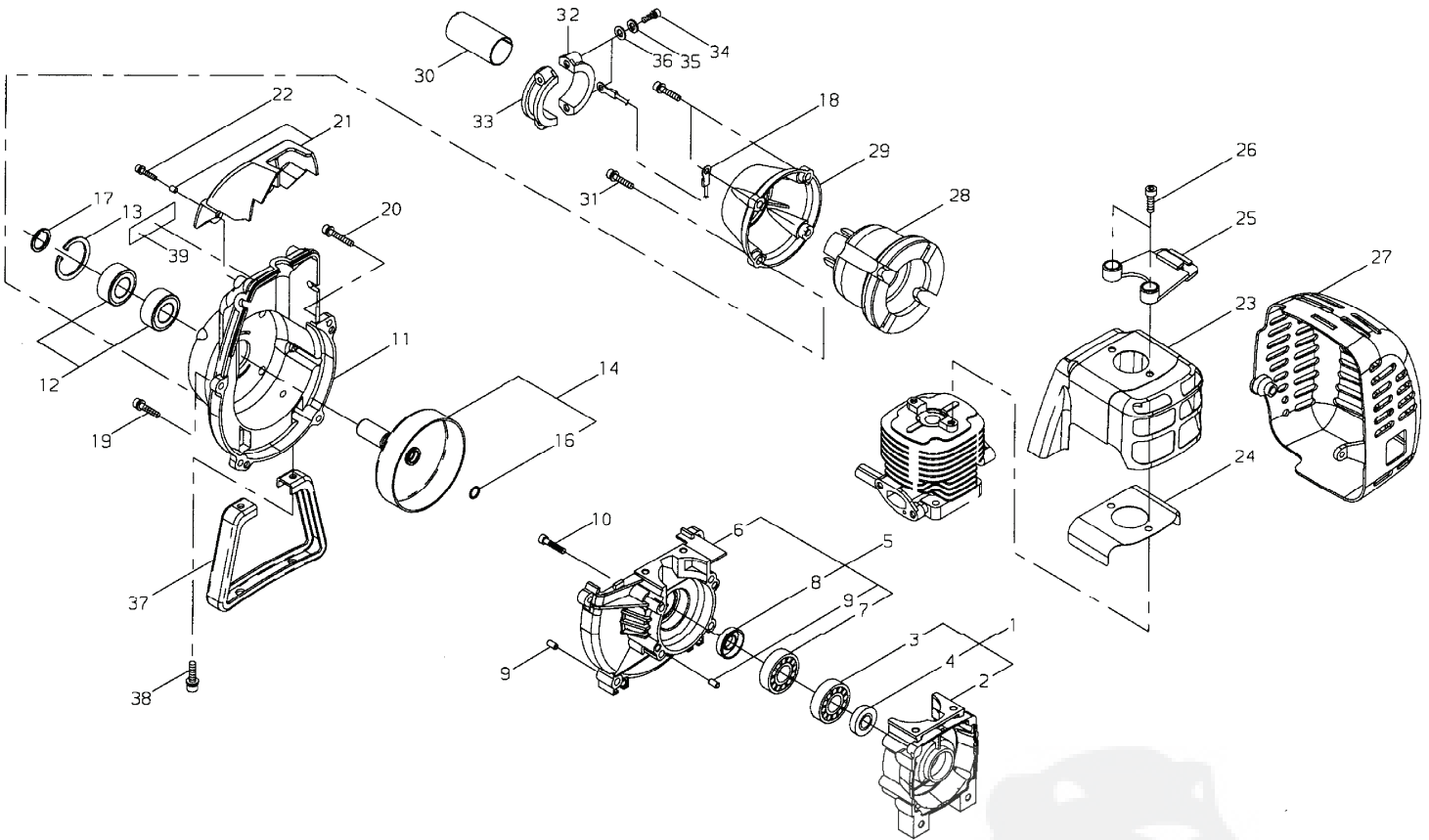
ILLUSTRATION 1 - REV 5/05



| Ref. No | Part No.    | Part Name        | Q'ty |
|---------|-------------|------------------|------|
| 1- 1    | 70196-12110 | CYLINDER         | 1    |
| 2       | 20010-12121 | GASKET CYLINDER  | 1    |
| 3       | 01020-05250 | BOLT             | 4    |
| 4       | 01600-05131 | SPRING WASHER    | 4    |
| 5       | 20060-12210 | INSULATOR        | 1    |
| 6       | 20011-12221 | GASKET           | 1    |
| 7       | 11022-05250 | BOLT SPW         | 2    |
| 8       | 20024-12260 | NUT              | 2    |
| 9       | 62102-15010 | MUFFLER ASSEMBLY | 1    |
| 10      | 62104-15110 | *MUFFLER         | 1    |
| 11      | 70200-15151 | *SPARK ARRESTER  | 1    |
| 12      | 62104-15210 | GASKET           | 1    |
| 13      | 01020-06250 | BOLT             | 2    |
| 14      | 11024-05120 | BOLT SLPW        | 1    |

**CRANKCASE / FAN COVER / CYLINDER COVER / MUFFLER COVER**

ILLUSTRATION 2 - REV 5/05



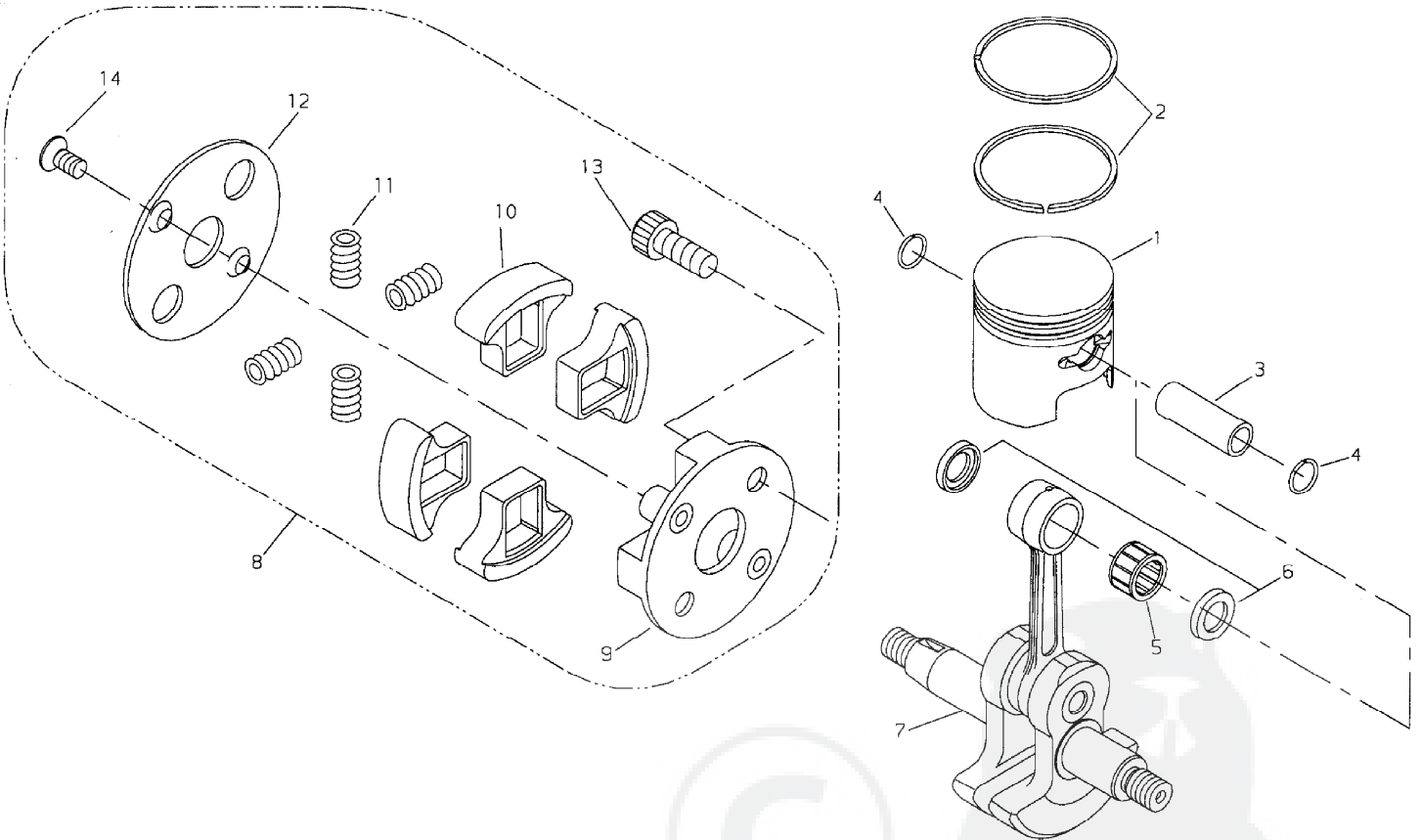
| Ref. No | Part No.    | Part Name        | Q'ty |
|---------|-------------|------------------|------|
| 2-1     | 72935-21101 | CRANKCASE S COMP | 1    |
| 2       | 72935-21111 | *CRANKCASES      | 1    |
| 3       | 12900-62020 | *BEARING         | 1    |
| 4       | 20010-21211 | *OIL SEAL        | 1    |
| 5       | 70062-21200 | CRANKCASE M COMP | 1    |
| 6       | 72921-21121 | *CRANKCASE M     | 1    |
| 7       | 12900-62020 | *BEARING         | 1    |
| 8       | 20010-21211 | *OIL SEAL        | 1    |
| 9       | 12492-50100 | *DOWEL PIN       | 4    |
| 10      | 01020-05300 | BOLT             | 4    |
| 11      | 70012-31111 | FAN COVER        | 1    |
| 12      | 02006-06002 | BEARING          | 2    |
| 13      | 02432-32120 | SNAP RING        | 1    |
| 14      | 20011-31200 | CLUTCH DRUM SET  | 1    |
| 16      | 20011-31220 | *SNAP RING       | 1    |
| 17      | 20011-31230 | SNAP RING        | 1    |
| 18      | 70192-31510 | EARTH CORD       | 1    |
| 19      | 11022-05200 | BOLT SPW         | 3    |
| 20      | 11022-05300 | BOLT SW          | 1    |

| Ref. No | Part No.    | Part Name      | Q'ty |
|---------|-------------|----------------|------|
| 21      | 70131-34100 | PROTECTOR COMP | 1    |
| 22      | 11024-04160 | BOLT SLPW      | 2    |
| 23      | 70196-32110 | CYLINDER COVER | 1    |
| 24      | 70196-32141 | GASKET         | 1    |
| 25      | 62104-32310 | STAY           | 1    |
| 26      | 11022-05180 | BOLT SPW       | 2    |
| 27      | 62104-32320 | MUFFLER COVER  | 1    |
| 28      | 20011-35110 | JOINT          | 1    |
| 29      | 70012-35130 | CAP JOINT      | 1    |
| 30      | 70136-35170 | SPACER         | 1    |
| 31      | 11022-05200 | BOLT SPW       | 4    |
| 32      | 20011-35141 | CLAMP A        | 1    |
| 33      | 20011-35151 | CLAMP B        | 1    |
| 34      | 01020-05250 | BOLT           | 2    |
| 35      | 01600-05131 | SPRING WASHER  | 2    |
| 36      | 01610-05080 | WASHER         | 2    |
| 37      | 70200-33112 | STAND          | 1    |
| 38      | 11022-05160 | BOLT SPW       | 2    |
| 39      | 70207-31150 | LABEL TRADE    | 1    |

\* Denotes item is part of an assembly \*\* Denotes item is part of a sub-assembly

## PISTON / CLUTCH SHOE / CRANKSHAFT

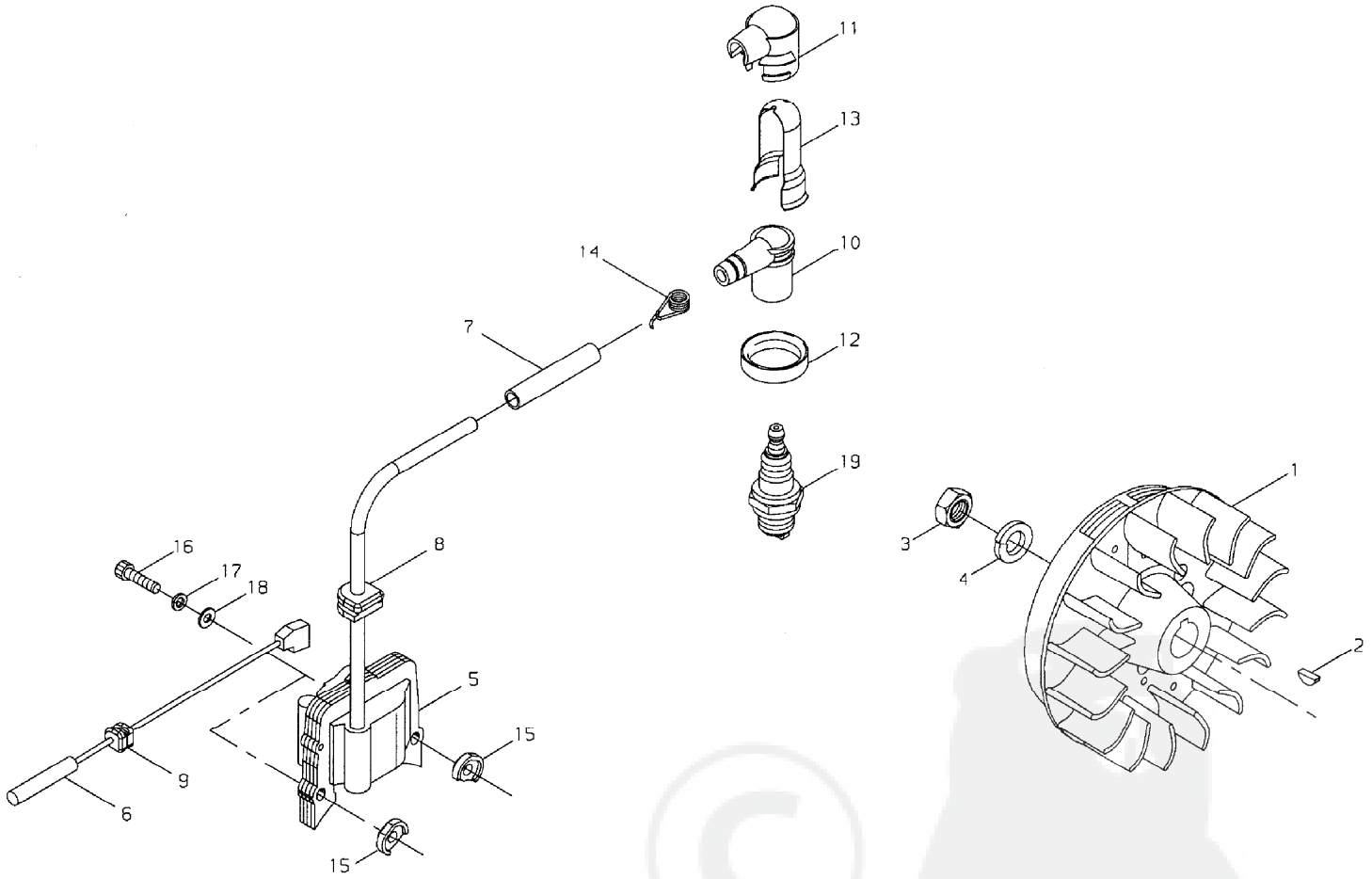
ILLUSTRATION 3 - REV 5/05



| Ref. No | Part No.    | Part Name            | Q'ty |
|---------|-------------|----------------------|------|
| 3-1     | 20010-41110 | PISTON               | 1    |
| 2       | 20010-41210 | PISTON RING          | 2    |
| 3       | 20010-41310 | PISTON PIN           | 1    |
| 4       | 22100-41230 | SNAP RING            | 2    |
| 5       | 20010-41330 | NEEDLE BEARING       | 1    |
| 6       | 70200-41340 | THRUST WASHER        | 2    |
| 7       | 20010-42002 | CRANKSHAFT ASSEMBLY  | 1    |
| 8       | 70210-51100 | CLUTCH SHOE ASSEMBLY | 1    |
| 9       | 20020-51112 | *CLUTCH BOSS         | 1    |
| 10      | 20020-51121 | *CLUTCH SHOE         | 4    |
| 11      | 20020-51131 | *SPRING              | 4    |
| 12      | 20020-51140 | *PLATE               | 1    |
| 13      | 20020-51150 | *CLUTCH BOLT         | 2    |
| 14      | 70210-51160 | *SCREW FLAT          | 2    |

**ROTOR**

ILLUSTRATION 4 - REV 5/05



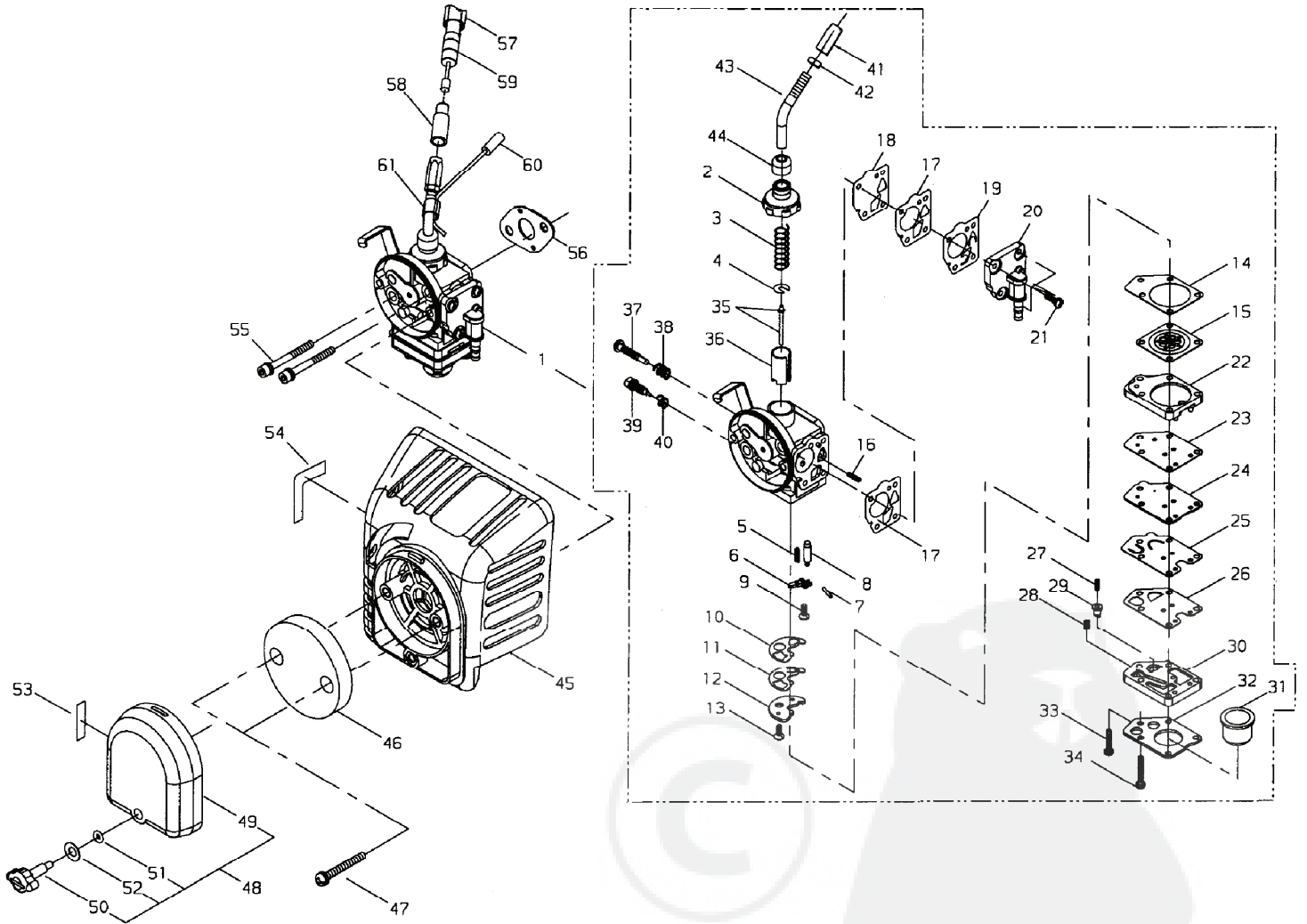
| Ref. No | Part No.    | Part Name     | Q'ty |
|---------|-------------|---------------|------|
| 4-1     | 70200-71200 | ROTOR         | 1    |
| 2       | 02403-03100 | KEY           | 1    |
| 3       | 01511-10061 | NUT           | 1    |
| 4       | 01600-10251 | SPRING WASHER | 1    |
| 5       | 70200-71610 | COIL          | 1    |
| 6       | 70200-71640 | CORD          | 1    |
| 7       | 20011-71660 | TUBE          | 1    |
| 8       | 20011-72110 | GROMMET       | 1    |
| 9       | 20011-72120 | GROMMET       | 1    |

| Ref. No | Part No.    | Part Name        | Q'ty |
|---------|-------------|------------------|------|
| 10      | 20010-72221 | PLUG CAP         | 1    |
| 11      | 20000-72241 | PLUG CAP COVER   | 1    |
| 12      | 20000-72250 | COVER BAND       | 1    |
| 13      | 70180-72260 | SHIELD           | 1    |
| 14      | 20000-72230 | SPRING SPARKPLUG | 1    |
| 15      | 20010-71631 | SPACER COIL      | 2    |
| 16      | 01020-04240 | BOLT             | 2    |
| 17      | 01600-04101 | SPRING WASHER    | 2    |
| 18      | 20010-71650 | WASHER           | 2    |
| 19      | 13000-13406 | SPARKPLUG BMR6A  | 1    |

\* Denotes item is part of an assembly \*\* Denotes item is part of a sub-assembly

## CARBURETOR / CLEANER

ILLUSTRATION 6 - REV 5/05



## CARBURETOR / CLEANER

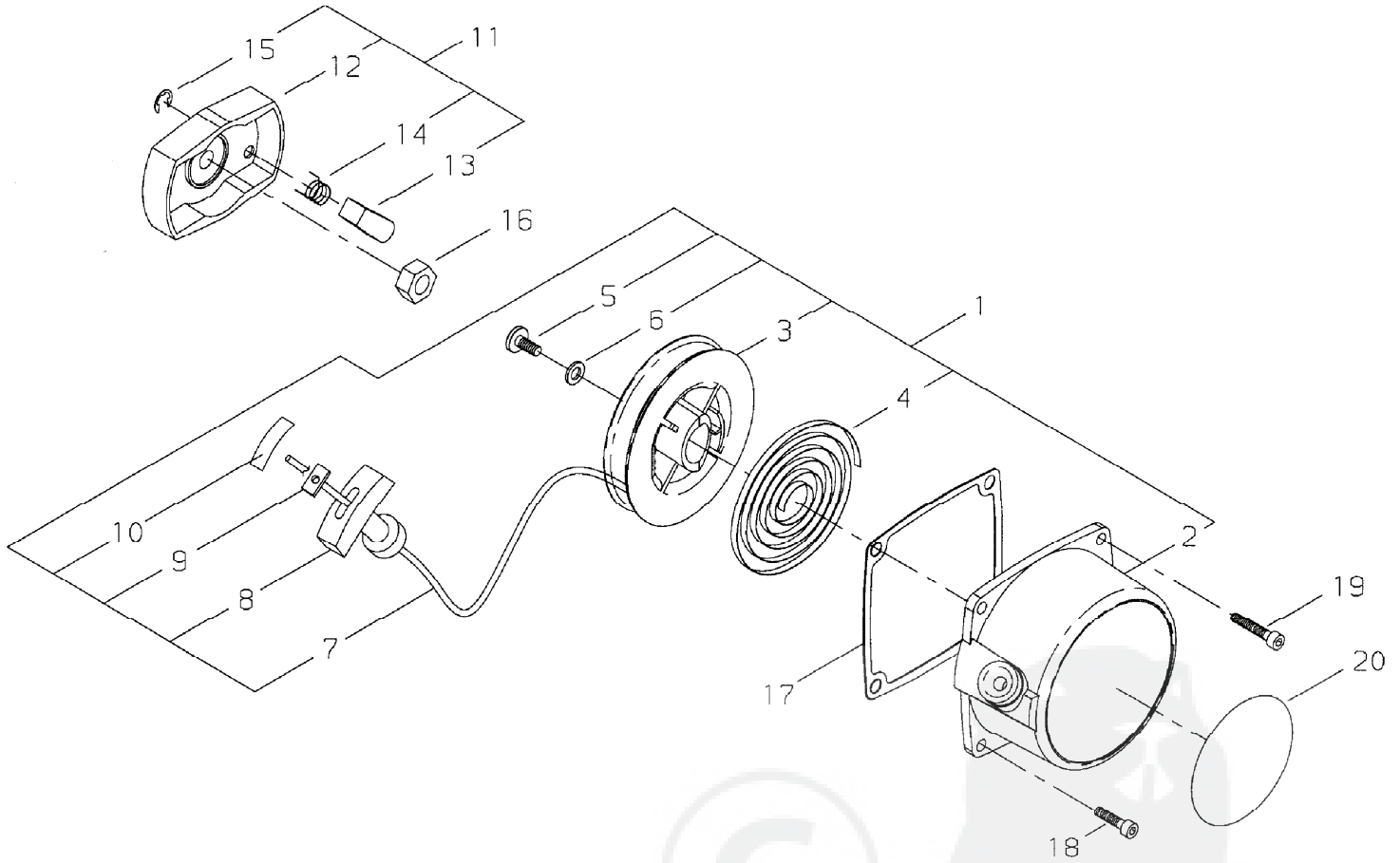
ILLUSTRATION 6 - REV 5/05

| Ref. No | Part No.    | Part Name           | Q'ty |
|---------|-------------|---------------------|------|
| 6-1     | 62102-81010 | CARBURETOR ASSEMBLY | 1    |
| 2       | 20055-81120 | *BODY CAP           | 1    |
| 3       | 20003-81140 | *THROTTLE SPRING    | 1    |
| 4       | 20000-81150 | *SPRING RECEIVE     | 1    |
| 5       | 20040-81430 | *SPRING             | 1    |
| 6       | 20011-81451 | *LEVER              | 1    |
| 7       | 20011-81460 | *PIN                | 1    |
| 8       | 20000-81441 | *NEEDLE VALVE       | 1    |
| 9       | 20011-81470 | *SCREW              | 1    |
| 10      | 20087-81420 | *PACKING            | 1    |
| 11      | 20087-81411 | *CHECK VALVE        | 1    |
| 12      | 70200-81430 | *PLATE              | 1    |
| 13      | 20011-81470 | *SCREW              | 1    |
| 14      | 20087-81510 | *GASKET             | 1    |
| 15      | 20087-81520 | *DIAPHRAGM          | 1    |
| 16      | 20040-81680 | *SPRING             | 2    |
| 17      | 20011-81630 | *GASKET             | 2    |
| 18      | 20011-81621 | *DIAPHRAGM          | 1    |
| 19      | 20087-81660 | *PUMP VALVE         | 1    |
| 20      | 20087-81640 | *PUMP BODY          | 1    |
| 21      | 20000-81650 | *SCREW              | 4    |
| 22      | 20087-81550 | *COVER              | 1    |
| 23      | 20087-81890 | *PACKING            | 1    |
| 24      | 20087-81560 | *PLATE              | 1    |
| 25      | 20087-81571 | *CHECK VALVE        | 1    |
| 26      | 20087-81540 | *GASKET             | 1    |
| 27      | 20087-81851 | *SPRING             | 1    |
| 28      | 20087-81870 | *SPRING             | 1    |
| 29      | 20087-81861 | *VALVE              | 1    |
| 30      | 20087-81811 | *PUMP BASE          | 1    |

| Ref. No | Part No.    | Part Name           | Q'ty |
|---------|-------------|---------------------|------|
| 31      | 20087-81820 | *PUMP               | 1    |
| 32      | 20087-81830 | *PLATE              | 1    |
| 33      | 20087-81840 | *SCREW              | 1    |
| 34      | 20087-81880 | *SCREW              | 4    |
| 35      | 62102-81320 | *JET NEEDLE         | 1    |
| 36      | 70131-81180 | *THROTTLE VALVE     | 1    |
| 37      | 20000-81310 | *SLOW STOP SCREW    | 1    |
| 38      | 72920-81820 | *SPRING             | 1    |
| 39      | 62102-81330 | *MAIN ADJ SCREW     | 1    |
| 40      | 20011-81360 | *SPRING             | 1    |
| 41      | 20055-81810 | *CABLE ADJUSTER     | 1    |
| 42      | 20000-81260 | *LOCKNUT            | 1    |
| 43      | 70107-81830 | *ADJUST PIPE        | 1    |
| 44      | 20055-81130 | *CAP                | 1    |
| 45      | 70102-81710 | CLEANER BODY        | 1    |
| 46      | 20056-81740 | FILTER              | 1    |
| 47      | 11207-04250 | SCREW PMSLPW        | 2    |
| 48      | 20060-81761 | CLEANER COVER COMP  | 1    |
| 49      | 20060-81770 | *CLEANER COVER      | 1    |
| 50      | 20060-81781 | *KNOB CLEANER COVER | 1    |
| 51      | 22100-82430 | *O-RING             | 1    |
| 52      | 20024-81790 | *CONE WASHER        | 1    |
| 53      | 19404-00008 | LABEL CHOKE         | 1    |
| 54      | 19404-00010 | LABEL CARBURETOR    | 1    |
| 55      | 11022-05550 | BOLT SW             | 2    |
| 56      | 20011-83411 | GASKET CARBURETOR   | 1    |
| 57      | 20020-83120 | PIPE                | 1    |
| 58      | 20005-83160 | CABLE CAP           | 1    |
| 59      | 62000-83110 | THROTTLE CABLE      | 1    |
| 60      | 70056-83130 | EARTH CORD A        | 1    |
| 61      | 20060-83180 | PIPE                | 1    |

## RECOIL STARTER / STARTER PULLEY

ILLUSTRATION 5 - REV 5/05



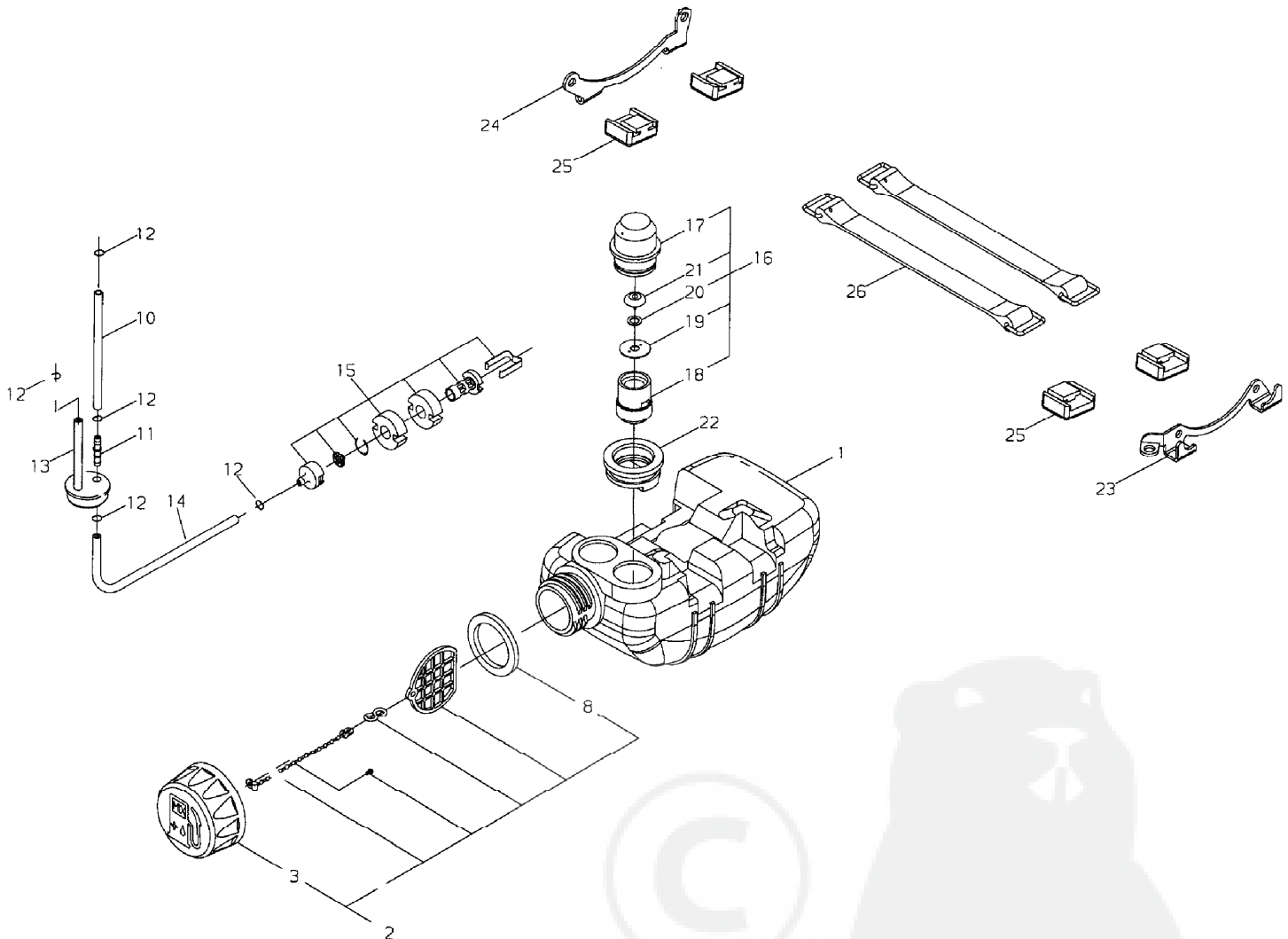
| Ref. No | Part No.    | Part Name                   | Q'ty |
|---------|-------------|-----------------------------|------|
| 5-1     | 70131-75100 | RECOIL STARTER SUB ASSEMBLY | 1    |
| 2       | 70131-75110 | *STARTER CASE               | 1    |
| 3       | 70131-75120 | *REEL                       | 1    |
| 4       | 20024-75130 | *RECOIL SPRING              | 1    |
| 5       | 20035-75170 | *SCREW                      | 1    |
| 6       | 70131-75140 | *WASHER                     | 1    |
| 7       | 20020-75180 | *ROPE                       | 1    |
| 8       | 20010-75190 | *STARTER KNOB               | 1    |
| 9       | 20010-75210 | *STOPPER                    | 1    |
| 10      | 20010-75230 | *TAPE                       | 1    |

| Ref. No | Part No.    | Part Name                    | Q'ty |
|---------|-------------|------------------------------|------|
| 11      | 70131-75200 | STARTER PULLEY ASSEMBLY      | 1    |
| 12      | 70131-75211 | *STARTER PULLEY              | 1    |
| 13      | 20024-75200 | *STARTER PULLEY SUB ASSEMBLY | 1    |
| 14      | 20024-75230 | *RETURN SPRING               | 1    |
| 15      | 20024-75240 | *ERING                       | 1    |
| 16      | 20000-76210 | NUT                          | 1    |
| 17      | 20020-76111 | GASKET STARTER               | 1    |
| 18      | 11022-04160 | BOLT SPW                     | 3    |
| 19      | 11022-04200 | BOLT SPW                     | 1    |
| 20      | 19420-00027 | LABEL TRADE                  | 1    |



FUEL TANK

ILLUSTRATION 7 - REV 5/05



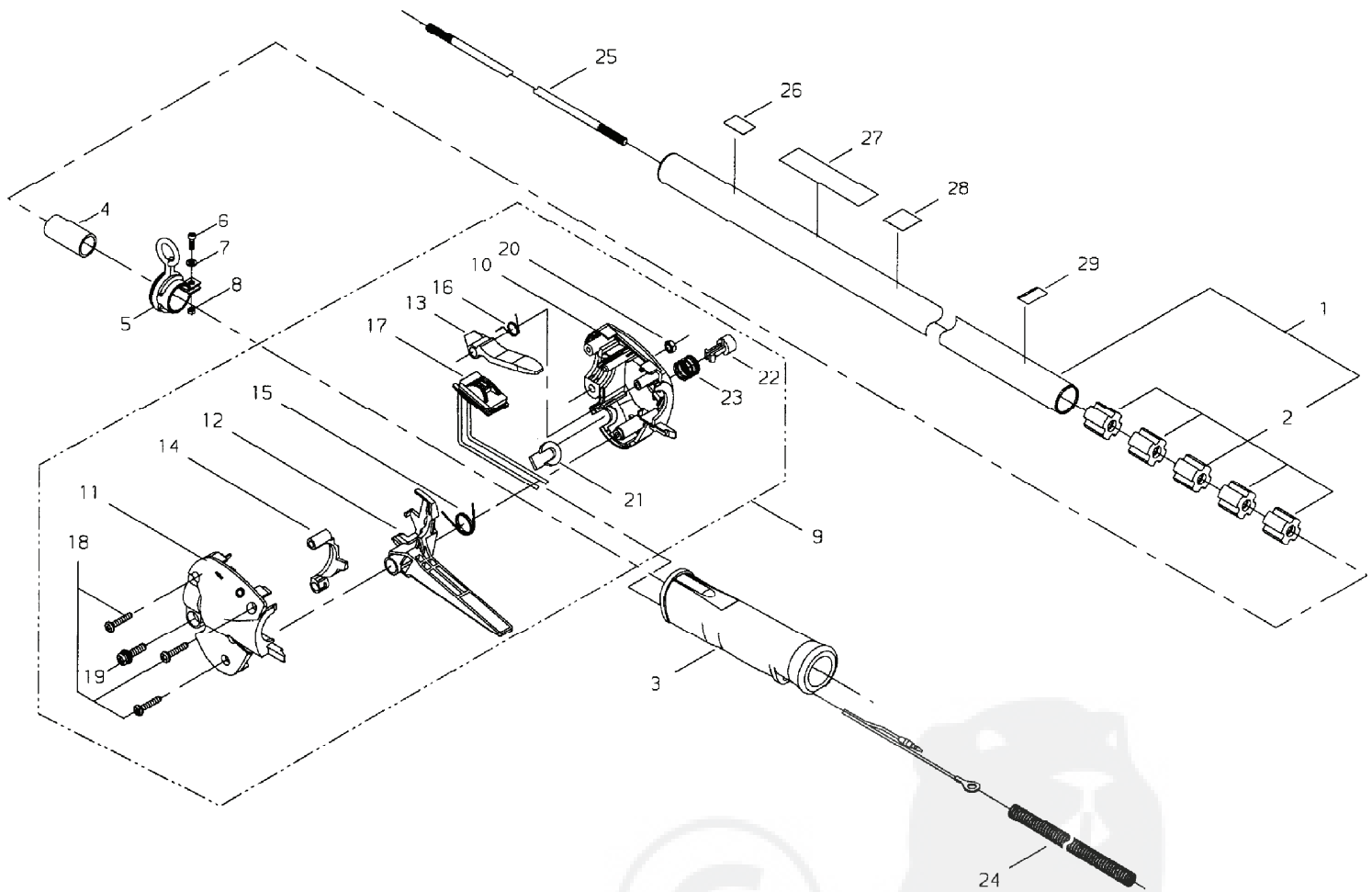
| Ref. No | Part No.    | Part Name                | Q'ty |
|---------|-------------|--------------------------|------|
| 7- 1    | 70200-85110 | FUEL TANK                | 1    |
| 2       | 70168-85201 | FUEL CAP ASSEMBLY        | 1    |
| 3       | 70168-85210 | *FUEL CAP                | 1    |
| 8       | 20000-85221 | *GASKET                  | 1    |
| 10      | 70200-85310 | FUEL PIPE                | 1    |
| 11      | 72935-85330 | JOINT                    | 1    |
| 12      | 20020-85540 | CLIP                     | 5    |
| 13      | 70200-85350 | GROMMET                  | 1    |
| 14      | 70200-85320 | FUEL PIPE                | 1    |
| 15      | 22169-35400 | FUEL FILTER SUB ASSEMBLY | 1    |

| Ref. No | Part No.    | Part Name             | Q'ty |
|---------|-------------|-----------------------|------|
| 16      | 20000-85500 | BREATHER SUB ASSEMBLY | 1    |
| 17      | 20000-85511 | *CAP BREATHER         | 1    |
| 18      | 20000-85521 | *HOLDER VALVE         | 1    |
| 19      | 22100-85240 | *RETAINER FUEL        | 1    |
| 20      | 22100-85250 | *WASHER FUEL          | 1    |
| 21      | 22100-85260 | *VALVE FUEL           | 1    |
| 22      | 20000-85579 | GROMMET BREATHER      | 1    |
| 23      | 20021-86110 | BRACKETS              | 1    |
| 24      | 20011-86120 | BRACKET M             | 1    |
| 25      | 20010-86130 | CUSHION               | 4    |
| 26      | 20010-86140 | BAND                  | 2    |

\* Denotes item is part of an assembly \*\* Denotes item is part of a sub-assembly

## OUTER PIPE / THROTTLE LEVER

ILLUSTRATION 8 - REV 5/05

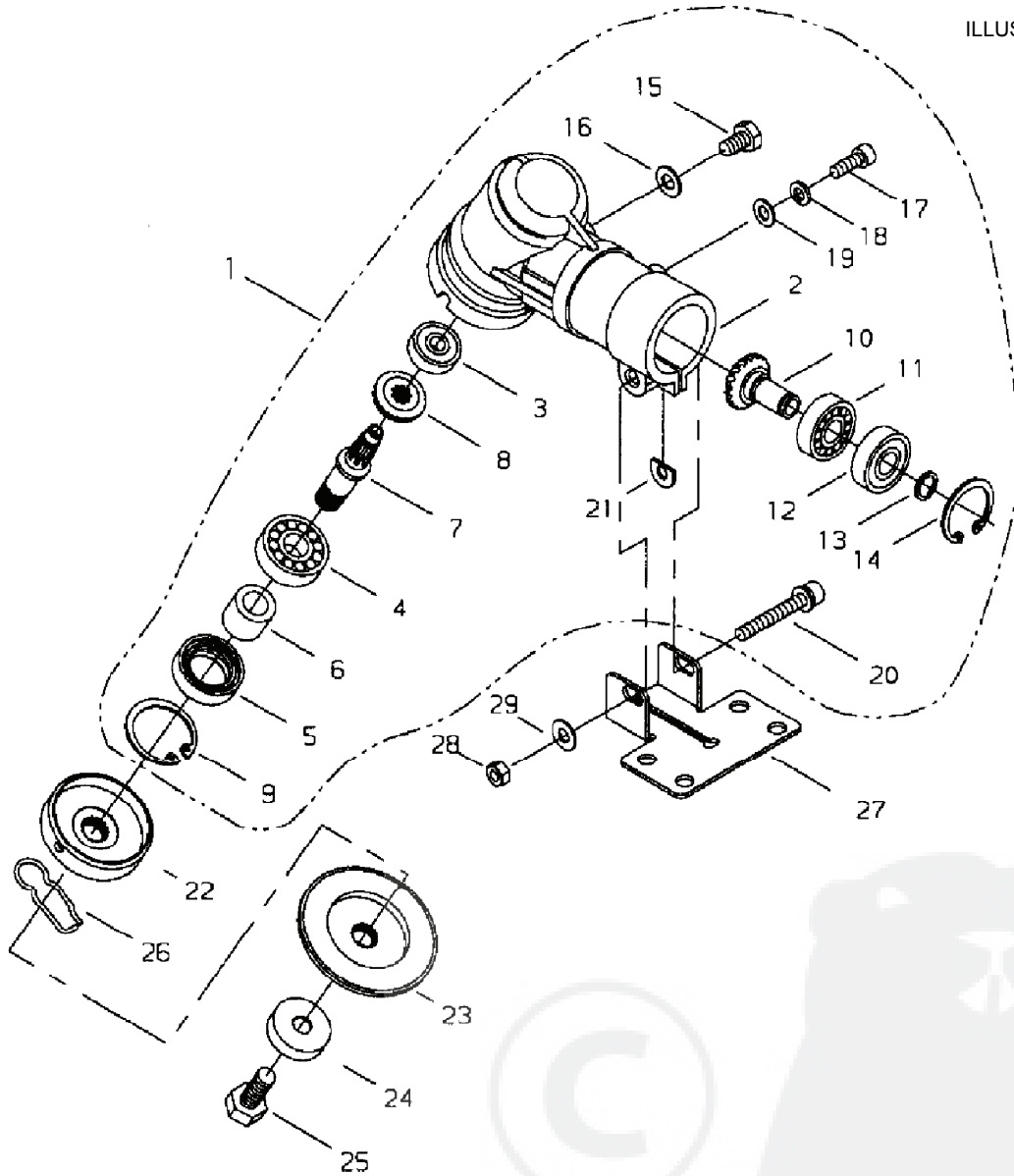


| Ref. No | Part No.    | Part Name               | Q'ty |
|---------|-------------|-------------------------|------|
| 8-1     | 72475-12100 | OUTER PIPE SUB ASSEMBLY | 1    |
| 2       | 22460-12120 | *BUSH                   | 5    |
| 3       | 63043-62140 | GRIP                    | 1    |
| 4       | 63000-62311 | PROTECTOR               | 1    |
| 5       | 22009-12210 | HANGER                  | 1    |
| 6       | 01020-05120 | BOLT                    | 1    |
| 7       | 01600-05131 | SPRING WASHER           | 1    |
| 8       | 01500-05041 | NUT                     | 1    |
| 9       | 63000-62320 | THROTTLE LEVER ASSEMBLY | 1    |
| 10      | 63000-62340 | *BODY RIGHT             | 1    |
| 11      | 63000-62350 | *BODY LEFT              | 1    |
| 12      | 63002-62340 | *LEVER                  | 1    |
| 13      | 63901-62352 | *LOCK LEVER             | 1    |
| 14      | 63002-62350 | *HOLDER                 | 1    |
| 15      | 63880-65350 | *COIL SPRING            | 1    |

| Ref. No | Part No.    | Part Name      | Q'ty |
|---------|-------------|----------------|------|
| 16      | 63901-62370 | *COIL SPRING   | 1    |
| 17      | 63000-62360 | *SWITCH        | 1    |
| 18      | 63880-65360 | *SCREW TAPPING | 3    |
| 19      | 11206-05201 | *SCREW PMSPW   | 1    |
| 20      | 01501-05030 | *NUT           | 1    |
| 21      | 63880-65411 | *PLUG          | 1    |
| 22      | 70871-65170 | *BUTTON        | 1    |
| 23      | 70871-65180 | *COIL SPRING   | 1    |
| 24      | 70201-83140 | TUBE           | 1    |
| 25      | 72540-12410 | MAINSHAFT      | 1    |
| 26      | 19402-00236 | LABEL CAUTION  | 1    |
| 27      | 19422-00010 | LABEL CAUTION  | 1    |
| 28      | 19404-00039 | LABEL DECIBEL  | 1    |
| 29      | 72017-12150 | HANDLE LABEL   | 1    |

GEARCASE

ILLUSTRATION 9 - REV 5/05



| Ref. No | Part No.    | Part Name          | Q'ty |
|---------|-------------|--------------------|------|
| 9- 1    | 72553-63020 | GEARCASE COMP      | 1    |
| 2       | 22044-13112 | *GEARCASE          | 1    |
| 3       | 02006-06000 | *BEARING           | 1    |
| 4       | 02000-06201 | *BEARING           | 1    |
| 5       | 22000-13120 | *OIL SEAL          | 1    |
| 6       | 22000-13230 | *COLLAR            | 1    |
| 7       | 22000-13212 | *GEARSHAFT         | 1    |
| 8       | 22000-13220 | *BEVEL GEAR        | 1    |
| 9       | 02432-32120 | *SNAP RING         | 1    |
| 10      | 22460-13391 | *BEVEL PINION COMP | 1    |
| 11      | 02000-06000 | *BEARING           | 1    |
| 12      | 02002-06000 | *BEARING           | 1    |
| 13      | 22000-13320 | *SNAP RING         | 1    |
| 14      | 02432-26120 | *SNAP RING         | 1    |

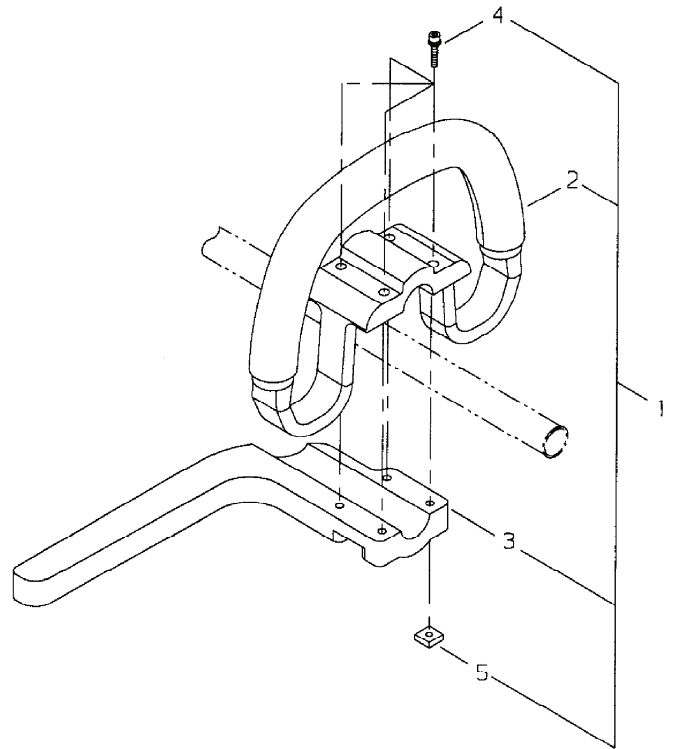
| Ref. No | Part No.    | Part Name      | Q'ty |
|---------|-------------|----------------|------|
| 15      | 22015-13410 | *BOLT          | 1    |
| 16      | 22015-13420 | *GASKET        | 1    |
| 17      | 01020-05120 | *BOLT          | 1    |
| 18      | 01600-05131 | *SPRING WASHER | 1    |
| 19      | 01610-05080 | *WASHER        | 1    |
| 20      | 11022-06400 | *BOLT SPW      | 1    |
| 21      | 22011-13450 | *SHIM          | 1    |
| 22      | 72553-63160 | HOLDER         | 1    |
| 23      | 37019-63170 | HOLDER         | 1    |
| 24      | 22000-13290 | BOLT GUARD     | 1    |
| 25      | 22000-13512 | BOLT           | 1    |
| 26      | 22000-13530 | SLIDE PIN      | 1    |
| 27      | 72441-16130 | LOWER CLAMP    | 1    |
| 28      | 01500-06051 | NUT            | 1    |
| 29      | 01613-06100 | WASHER         | 1    |

\* Denotes item is part of an assembly \*\* Denotes item is part of a sub-assembly

## HANDLE ASSEMBLY

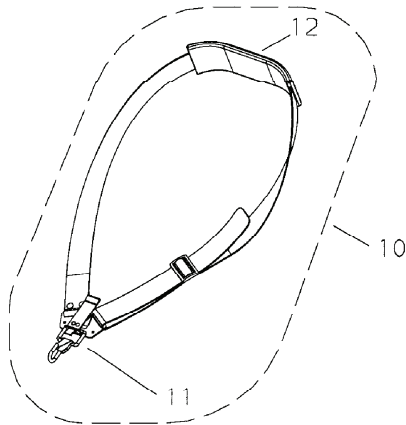
ILLUSTRATION 10 - REV 5/05

| Ref. No | Part No.    | Part Name       | Q'ty |
|---------|-------------|-----------------|------|
| 10- 1   | 60904-98310 | HANDLE ASSEMBLY | 1    |
| 2       | 62901-64113 | *HANDLE         | 1    |
| 3       | 65011-64120 | *BARRIER        | 1    |
| 4       | 11022-05350 | *BOLT SPW       | 4    |
| 5       | 22420-16120 | *NUT            | 4    |

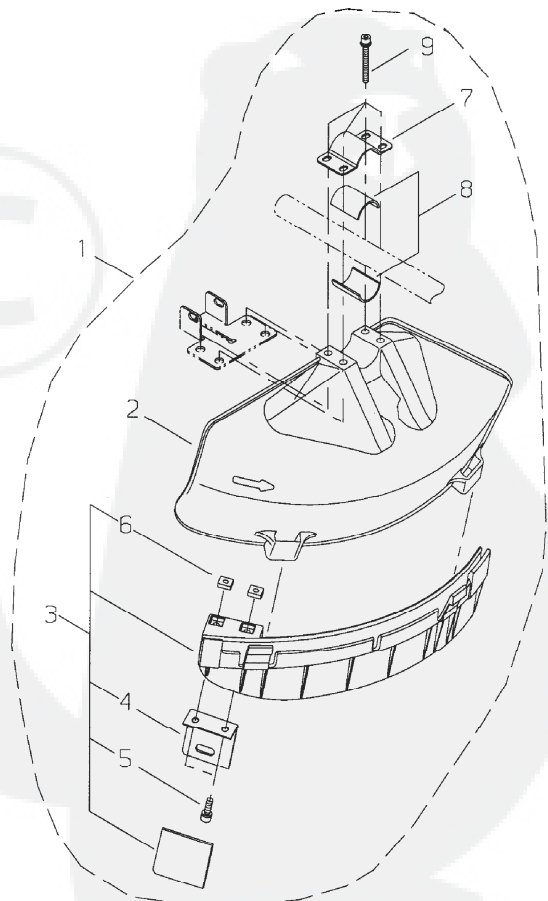


## GUARD SET / STRAP ASSEMBLY

ILLUSTRATION 11 - REV 5/05

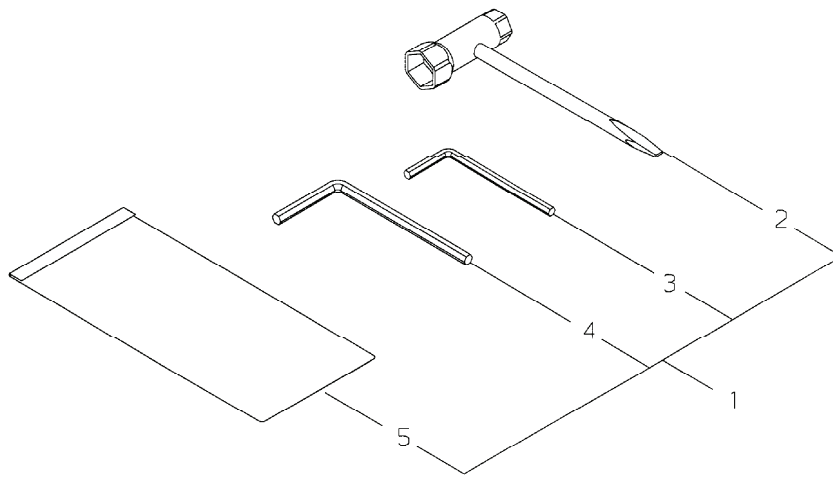


| Ref. No | Part No.    | Part Name           | Q'ty |
|---------|-------------|---------------------|------|
| 11- 1   | 64000-66310 | GUARD SET           | 1    |
| 2       | 62903-66110 | *GUARD              | 1    |
| 3       | 62903-66331 | *SUB GUARD ASSEMBLY | 1    |
| 4       | 72480-16121 | **CUTTER            | 1    |
| 5       | 11020-05160 | **BOLT SW           | 2    |
| 6       | 22420-16120 | **NUT               | 2    |
| 7       | 72480-16210 | *UPPER CLAMP        | 1    |
| 8       | 72441-16220 | *SPACER             | 2    |
| 9       | 11022-05450 | *BOLT SPW           | 4    |
| 10      | 22421-17202 | STRAP ASSEMBLY      | 1    |
| 11      | 22421-17130 | *HOOK               | 1    |
| 12      | 22007-17220 | *PROTECTOR          | 1    |



**TOOL SET**

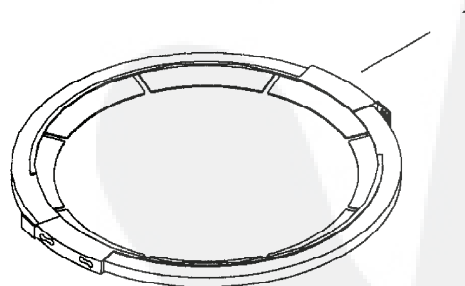
ILLUSTRATION 12 - REV 5/05



| Ref. No | Part No.    | Part Name         | Q'ty |
|---------|-------------|-------------------|------|
| 12- 1   | 72547-92010 | TOOLSET           | 1    |
| 2       | 22000-91181 | *PLUG WRENCH      | 1    |
| 3       | 09026-04001 | *HEX A WRENCH 5MM | 1    |
| 4       | 09026-05001 | *HEX A WRENCH 6MM | 1    |
| 5       | 19639-01700 | *TOOLBAG          | 1    |

**BLADE COVER**

ILLUSTRATION 13 - REV 5/05



| Ref. No | Part No.    | Part Name   | Q'ty |
|---------|-------------|-------------|------|
| 13- 1   | 22550-92310 | BLADE COVER | 1    |

\* Denotes item is part of an assembly \*\* Denotes item is part of a sub-assembly



**shindaiwa**

[www.shindaiwa.com](http://www.shindaiwa.com)

11975 SW Herman Road, Tualatin, Oregon 97062, U.S.A.

1 + 503.692.3070 • fax 1 + 503.692.6696 •

Item #xxxx Effective 05/05